



# Siemens VDO Continental injector Catalogue

Update 01/2022



**OEM CODES AND PARTS NUMBERS ARE  
GIVEN FOR REFERENCE PURPOSE ONLY**

[2]



## ABBREVIATIONS

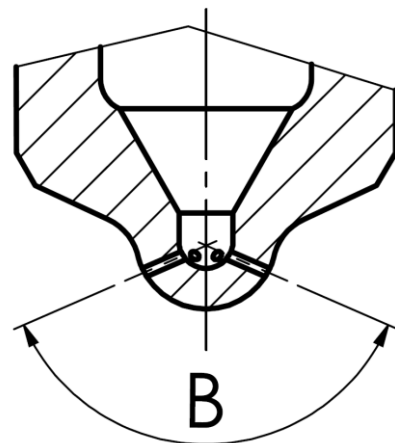
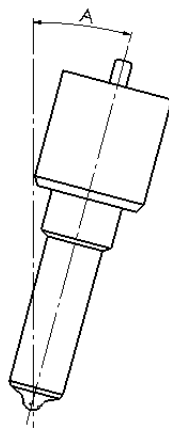
### - Holes

In this section are reported the information about how many micro holes there are and their diameter, in this following way: <N.microholes> x <Diameter microholes>

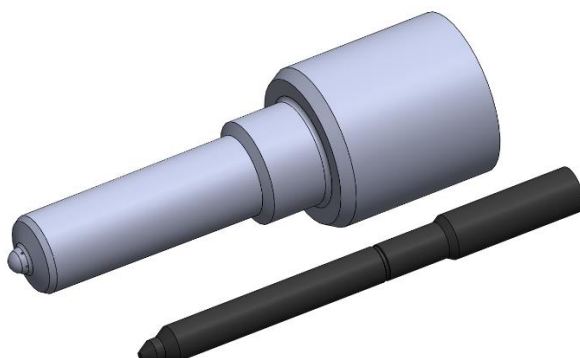
### - Angles

In this section are reported the information related to nozzle and micro holes angular position

Engine Angle	Spray Angle
A	B



## Siemens VDO nozzle



FIRAD code	VDO® Stamping	VDO® Injector Code	OE code	Vehicle/ Engine
<b>ALLA 140 PM 019</b>	M 0019 P 140	A2C59517051 A2C33352600	CITROËN 9801125480 FORD BK2Q-9K546-AG FORD 1840747 FORD 1746967 PEUGEOT 9801125480	CITROËN JUMPER Bus 2.0 BlueHDi 110 CITROËN JUMPER Bus 2.2 HDi 110 CITROËN JUMPER Bus 2.2 HDi 130 CITROËN JUMPER Bus 2.2 HDi 150 CITROËN JUMPER Kasten 2.0 BlueHDi 110 CITROËN JUMPER Kasten 2.0 BlueHDi 130 CITROËN JUMPER Kasten 2.2 HDi 110 CITROËN JUMPER Kasten 2.2 HDi 130 CITROËN JUMPER Kasten 2.2 HDi 150 CITROËN JUMPER Pritsche/Fahrgestell 2.0 BlueHDi 110 CITROËN JUMPER Pritsche/Fahrgestell 2.0 BlueHDi 130 CITROËN JUMPER Pritsche/Fahrgestell 2.2 HDi 110 CITROËN JUMPER Pritsche/Fahrgestell 2.2 HDi 130 CITROËN JUMPER Pritsche/Fahrgestell 2.2 HDi 150
<b>ALLA 142 PM 604</b>	M 0604 P 142	5WS40149-Z A2C59511612 A2C59513998	CITROËN 1980L0 CITROËN 00001980L0 MAZDA Y404-13-250A PEUGEOT 00001980L0 PEUGEOT 9663429280 PEUGEOT 1980L0	CITROËN C2 1.4 HDi CITROËN C3 I 1.4 HDi CITROËN C3 II 1.4 HDi PEUGEOT 307 / 1007 CITROËN C1/C2/C3 FORD FIESTA FUSION
<b>ALLA 145 PM 031</b>	M 0031 P 145	5WS40932 A2C39997000 A2C3999700080	NAVISTAR 7001105C1 <b>FORD BK2Q-9K546-AG</b> <b>FORD BK2K9K546AG</b>	FORD TROLLER 3.2 FORD Ranger 3.2 Land Rover Discovery
<b>ALLA 147 PM 007</b>	M 0007 P 147.6			RENAULT CLIO RENAULT SCENIC RENAULT MODUS RENAULT MEGANE

[4]



FIRAD code	VDO® Stamping	VDO® Injector Code	OE code	Vehicle/ Engine
				RENAULT QASHQAI RENAULT TILDA
<b>ALLA 150 PM 032</b>	M 0032 P 150		16600-8052R 16600-0372R	Renault Master 2.3
<b>ALLA 150 PM 034</b>	M 0034 P 150	A2C8139490080	FORD CK4Q9K546AA	FORD Transit FORD Ranger Troller
<b>ALLA 150 PM 1600</b>	M 1600 P 150	5WS40080 A2C59515264 A2C20009347	MWM 77550 FORD LK2400684	FORD RANGER 3.0 TD TROLLER T4 3.0 TROLLER PANTANAL 3.0
<b>ALLA 152 PM 1001</b>	M 1001 P 152	A2C59511610 AC259514911 5WS40086	FORD 4M5Q9F593AD FORD 1355051	FORD C-MAX 1.8 TDCi FORD FOCUS 1.8 TDCi FORD FOCUS Stufenheck 1.8 TDCi FORD FOCUS Turnier 1.8 TDCi FORD FOCUS C-MAX 1.8 TDCi FORD FOCUS II 1.8 TDCi FORD FOCUS II Stufenheck 1.8 TDCi FORD FOCUS II Turnier 1.8 TDCi FORD GALAXY 1.8 TDCi FORD MONDEO IV 1.8 TDCi FORD MONDEO IV Stufenheck (BA7) 1.8 TDCi FORD S-MAX (WS) 1.8 TDCi FORD TOURNEO CONNECT 1.8 TDCi /TDDi /Di FORD TOURNEO CONNECT 1.8 TDCi FORD TRANSIT CONNECT 1.8 Di FORD TRANSIT CONNECT 1.8 TDCi
<b>ALLA 152 PM 1003</b>	M 1003 P 152	A2C59514912 A2C59511611 5WS40250	FORD 7T1Q9F593AB FORD 1432322	FORD TOURNEO CONNECT 1.8 TDCi /TDDi /Di FORD TOURNEO CONNECT 1.8 TDCi FORD TRANSIT CONNECT 1.8 Di FORD TRANSIT CONNECT 1.8 TDCi FORD FOCUS C-MAX, C-MAX, GALAXY FORD MONDEO III/IV, S-MAX
<b>ALLA 153 PM 003</b>	M 003 P 153	5WS40156-4Z  5WS40156-Z	CITROËN 00001980J4 CITROËN 1980J4 FIAT 9657144680 FORD 3M5Q9F593DB FORD 1373549 PEUGEOT 1980J4 PEUGEOT 00001980J4 VOLVO 36000315 VOLVO 36000317  CITROËN 1980J5 CITROËN 00001980J5 FORD 1373550 FORD 3M5Q9F593EB PEUGEOT 1980J5 PEUGEOT 00001980J5 VOLVO 36000319 VOLVO 36000318	CITROËN C4 I 2.0 HDi CITROËN C4 Coupe 2.0 HDi CITROËN C5 II 2.0 HDi CITROËN C5 II Break 2.0 HDi PEUGEOT 307 / 407 / 607 / 807 CITROËN XSARA FORD C-MAX

[5]



FIRAD code	VDO® Stamping	VDO® Injector Code	OE code	Vehicle/ Engine
ALLA 153 PM 005	M 0005 P 153	A2C59514910 A2C59511602 5WS40200	CITROËN 1980K5 CITROËN 00001980K5 FIAT 9659337980 PEUGEOT 1980K5 PEUGEOT 00001980K5	CITROËN C8 2.0 HDi CITROËN JUMPY 2.0 HDi 120 CITROËN JUMPY Kasten 2.0 HDi 120 FIAT ULYSSE FIAT SCUDO
ALLA 153 PM 601	M 0601 P 153			PEUGEOT, CITROEN, FORD, VOLVO
ALLA 153 PM 1002	M 1002 P 153			PEUGEOT 407 CITROEN C6
ALLA 154 PM 012	M 0012 P 154	5WS540677 A2C59513556	CITROËN 1980ET CITROËN 00001980R9 CITROËN 00001980ET CITROËN 9802448680 CITROËN 1980S0 CITROËN 1980ER CITROËN 1980R9 CITROËN 00001980ER CITROËN 00001980S0 FORD 1791017 FORD 1812616 PEUGEOT 1980ET PEUGEOT 1980S0 PEUGEOT 00001980ET PEUGEOT 00001980R9 PEUGEOT 00001980ER PEUGEOT 00001980ER PEUGEOT 9802448680 PEUGEOT 00001980S0 PEUGEOT 1980R9 VOLVO 36001726 VOLVO 36001728 VOLVO 36001727 VOLVO 36001729	CITROËN BERLINGO 1.6 HDi CITROËN BERLINGO Kasten 1.6 HDi CITROËN BERLINGO Pritsche/Fahrgestell (B9) 1.6 HDi 90 16V CITROËN C3 II 1.6 HDi CITROËN C3 Picasso 1.6 HDi CITROËN C4 II 1.6 HDi CITROËN C4 Picasso I Großraumlimousine 1.6 HDi CITROËN C4 Picasso II 1.6 HDi / BlueHDi CITROËN C4 Grand Picasso I 1.6 HDi CITROËN C4 AIRCROSS 1.6 HDi CITROËN C5 III 1.6 HDi CITROËN C5 III Break 1.6 HDi CITROËN DS3/ DS4/ DS5 1.6 HDi FORD MAZDA VOLVO 1.6 cDi
ALLA 155 PM 008	M 0008 P 155	5WS540536 A2C59513484	DACIA 16 60 080 52R DACIA 16 60 043 05R DACIA 8200903034 NISSAN 16600 00Q1F RENAULT 16 60 043 05R RENAULT 8200903034 RENAULT 16 60 080 52R	DACIA DUSTER 1.5 dCi DACIA DUSTER 1.5 dCi 4x4 DACIA DUSTER Kasten 1.5 dCi DACIA DUSTER Kasten 1.5 dCi 4x4 DACIA LODGY 1.5 dCi
ALLA 155 PM 018	M 0018 P 155	A2C59511364 5WS40249 5WS40062	Ford 4H2Q-9K546-AF Land Rover LR008836 Land Rover LR006495	Land Rover Discovery Land Rover Range Rover
ALLA 155 PM 027	M 0027 P 155	A2C59507596	RENAULT 166006212R RENAULT 8201041272 RENAULT 166006526R RENAULT 1660000Q1W DACIA 16 60 062 12R DACIA 8201041272 DACIA 16 60 065 26R MERCEDES A 607 070 02 00 MERCEDES A 607 070 00 87	MERCEDES CITAN MERCEDES CLASSE A – B MERCEDES GLA – CLA RENAULT CAPTUR RENAULT GRAND SCENIC RENAULT KADJAR RENAULT KANGOO – MEGANE III NISSAN JUKE – QASHQAI

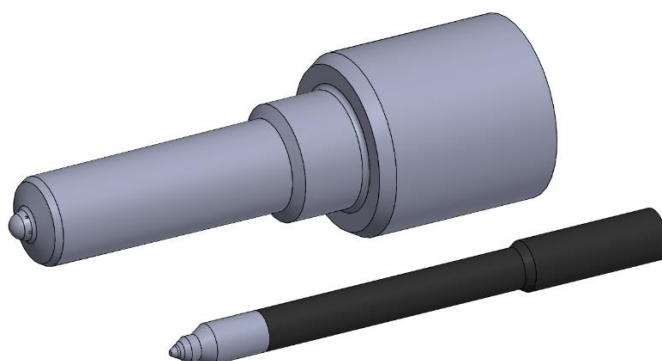
[6]

FIRAD S.p.A.® - Via Barge 93, 12031 Bagnolo Piemonte (CN) - ITALY

[www.firad.com](http://www.firad.com) – [www.firad.it](http://www.firad.it) - contact: info@firad.it Phone (+39) 0175.392251 - Fax (+39) 0175.392540



FIRAD code	VDO® Stamping	VDO® Injector Code	OE code	Vehicle/ Engine
ALLA 156 PM 002	M 0002 P 156			
ALLA 162 PM 011	M 0011 P 162	5WS40539 A2C59513554 A2C9626040080	AUDI 03L 130 277 B SEAT 03L 130 277 B VW 03L 130 277 B SKODA 03L 130 277 B	AUDI A1/A1 Sportback AUDI A3/A3 Sportback SEAT ALTEA, IBIZA, TOLEDO SKODA FABIA, OCTAVIA, RAPID, ROOMSTER VW GOLF VI, PASSAT, POLO, TOURAN



FIRAD code	VDO® Stamping	VDO® Injector Code	OE code	Vehicle/ Engine
ASLA 142 PV 600	V 0600 P 142	5WS40000-Z	CITROËN 1980F0 CITROËN 00001980F0 CITROËN 9652173780 PEUGEOT 9652173780 PEUGEOT 00001980F0 PEUGEOT 1980F0	CITROËN BERLINGO / BERLINGO FIRST Großraumlimousine 2.0 HDI CITROËN BERLINGO / BERLINGO FIRST Kasten 2.0 HDI CITROËN C5 I 2.0 HDi CITROËN C5 I Break 2.0 HDi CITROËN XSARA 2.0 HDi 90 CITROËN XSARA Break 2.0 HDI CITROËN XSARA Coupe 2.0 HDI PEUFEOT 307/407 PEUGEOT Partener 406 Facelift
ASLA 144 PV 602	V 0602 P 144			PEUGEOT1007/307 TOYOTA AYGO MAZDA 2 CITROEN C1/C2/C3
ASLA 144 PV 605	V 0605 P 144	5WS40148-Z A2C59513997	CITROËN 00001980E7 CITROËN 9655304880 CITROËN 9655304780 FORD 2S6Q9F593AB FORD 2S6Q9F593AA FORD 2S6Q9F593BB FORD 2S6Q9F593AC PEUGEOT 1980E7 PEUGEOT 00001980E7 PEUGEOT 9655304880	CITROËN C3 Pluriel 1.4 HDi PEUGEOT 307 / 1007 CITROEN C1/C2/C3 FORD FIESTA FUSION

[7]





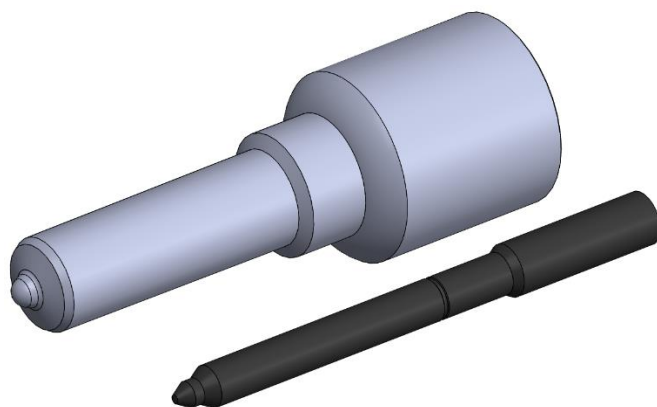
FIRAD code	VDO® Stamping	VDO® Injector Code	OE code	Vehicle/ Engine
			PEUGEOT 9655304780	

[8]

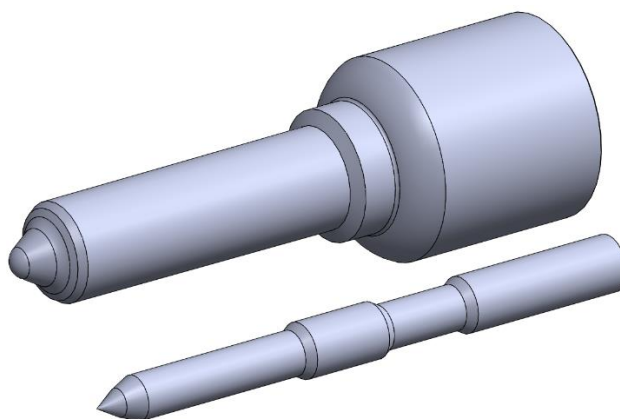
FIRAD S.p.A. ® - Via Barge 93, 12031 Bagnolo Piemonte (CN) - ITALY  
[www.firad.com](http://www.firad.com) – [www.firad.it](http://www.firad.it) - contact: info@firad.it Phone (+39) 0175.392251 - Fax (+39) 0175.392540







FIRAD code	VDO® Stamping	VDO® Injector Code	OE code	Vehicle/ Engine
ALLA 154 PM 006	M 0600 P 154			



FIRAD code	VDO® Stamping	VDO® Injector Code	OE code	Vehicle/ Engine
ASLA 152 PV 203	V 203 P 152	03G130073T		AUDI A3, A4 SEAT Altea, Leon, Toledo SKODA Octavia VW Golf, Passat, Touran
ASLA 152 PV 208	V 208 P 152	03G130073T		AUDI A3, A4 SEAT Altea, Leon, Toledo SKODA Octavia VW Golf, Passat, Touran



## VDO nozzle geometric features

FIRAD code	VDO <sup>®</sup> Stamping	Engine angle	Spray angle	Holes
ALLA 140 PM 019	M 0019 P 140	0°	140°	8 x 0,120
ASLA 140 PV 600	V 0600 P 142	15°	142°	5 x 0,160
ALLA 142 PM 604	M 0604 P 142	12°30'	142°	6 x 0,110
ASLA 144 PV 602	V0602 MP 144	14°	144°	6 x 0,110
ASLA 144 PV 605	V 605 P 144	14°	144°	6 x 0,110
ALLA 145 PM 031	M 0031 P 145	0°	145°	7 x 0,160
ALLA 147 PM 007	M 0007 P 147.6	14°	147°	6 x 0,120
<b>ALLA 150 PM 032</b>	<b>M 0032 P 150</b>	<b>0°</b>	<b>150°</b>	<b>7 x 0,135</b>
<b>ALLA 150 PM 034</b>	<b>M 0034 P 150</b>	<b>0°</b>	<b>150°</b>	<b>8 x 0,120</b>
ALLA 150 PM 1600	M 160 0P 150	0°	150°	6 x 0,195
ALLA 152 PM 1001	M 1001 P 152	19°	152°	7 x 0,125
ALLA 152 PM 1003	M 1003 P 152	19°30'	152°	7 x 0,110
ASLA 152 PV 203	V 203 P 152	0°	152°	6 x 0,160
ASLA 152 PV 208	V 208 P 152	0°	152°	6 x 0,160
ALLA 153 PM 003	M 003 P 153	0°	153°	6 x 0,150
ALLA 153 PM 005	M 0005 P 153	0°	153°	6 x 0,110
ALLA 153 PM 601	M 0601 P 153	0°	153°	6 x 0,155
ALLA 153 PM 1002	M 1002 P 153	0°	153°	6 x 0,150
ALLA 154 PM 006	M 0006 P 154	0°	154°	6 x 0,200
ALLA 154 PM 012	M 0012 P 154	12°30'	154°	7 x 0,120
ALLA 155 PM 008	M 0008 P 155	15°	155°	7 x 0,110
ALLA 155 PM 018	M 0018 P 155	0°	155°	7 x 0,165
<b>ALLA 155 PM 027</b>	<b>M 0027 P 155</b>	<b>13°30'</b>	<b>155°</b>	<b>7 x 0,115</b>
ALLA 156 PM 002	M 0002 P 156	0°	156°	6 x 0,120
ALLA 162 PM 011	M 0011 P 162	0°	162°	7 x 0,120

[10]

FIRAD S.p.A. <sup>®</sup> - Via Barge 93, 12031 Bagnolo Piemonte (CN) - ITALY

[www.firad.com](http://www.firad.com) – [www.firad.it](http://www.firad.it) - contact: info@firad.it Phone (+39) 0175.392251 - Fax (+39) 0175.392540

