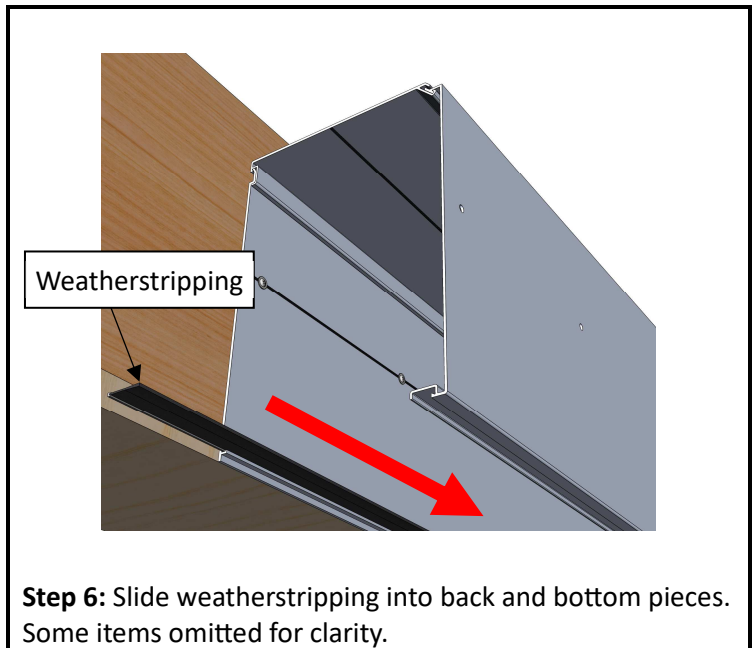
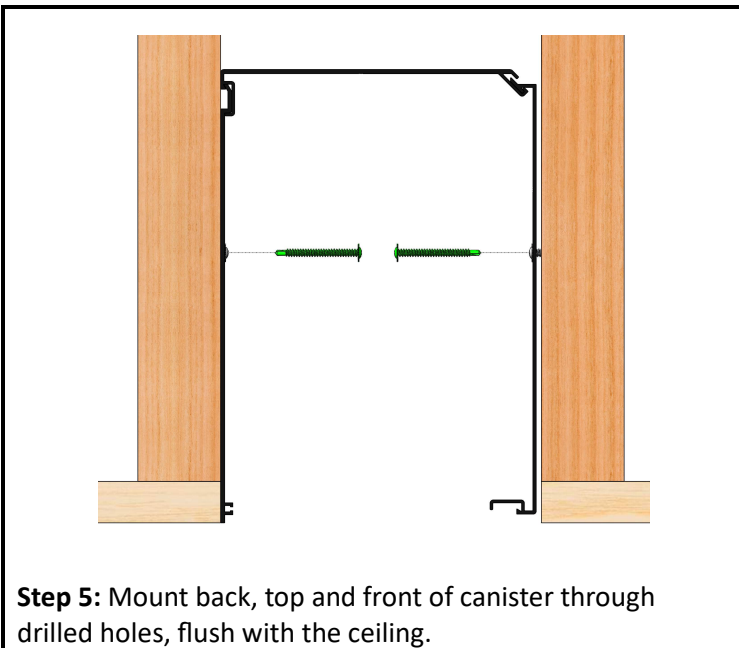
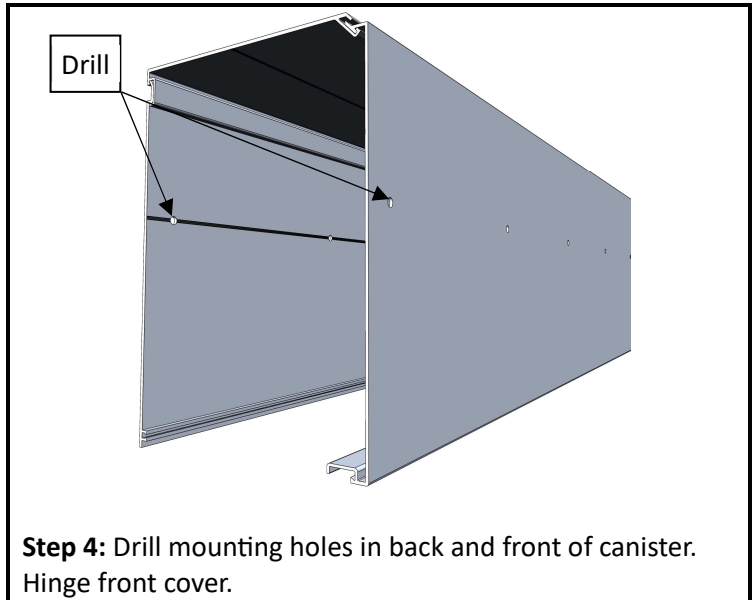
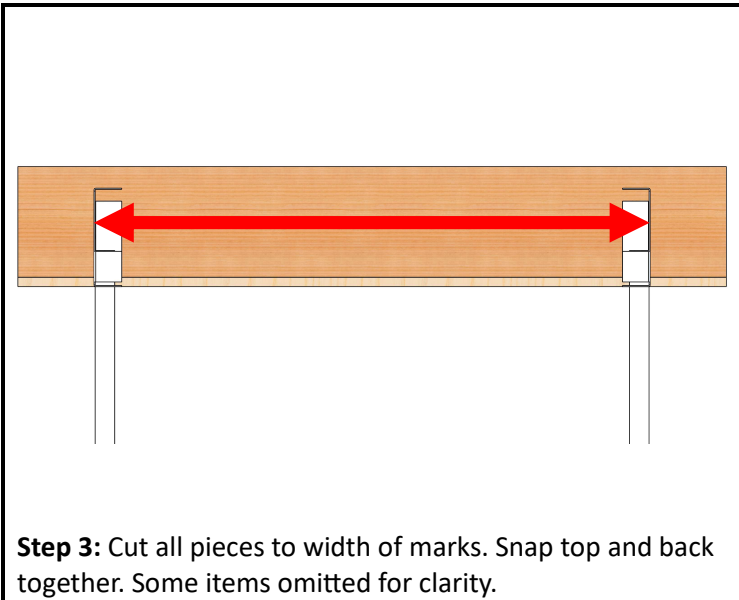
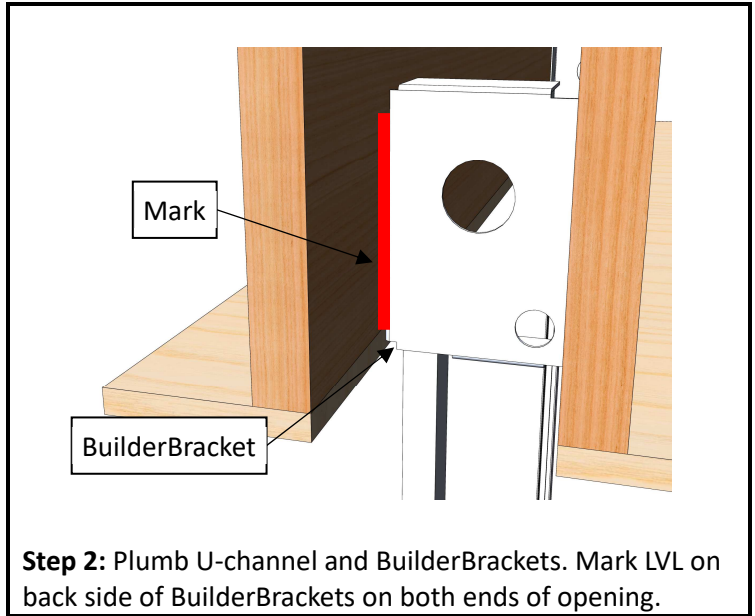
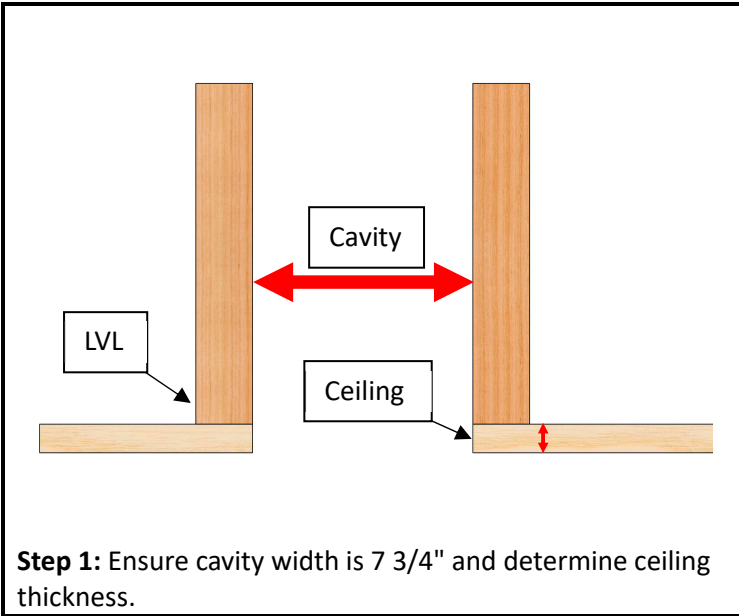
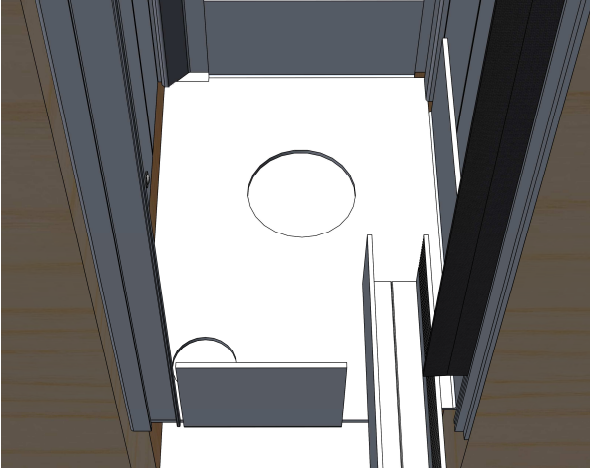


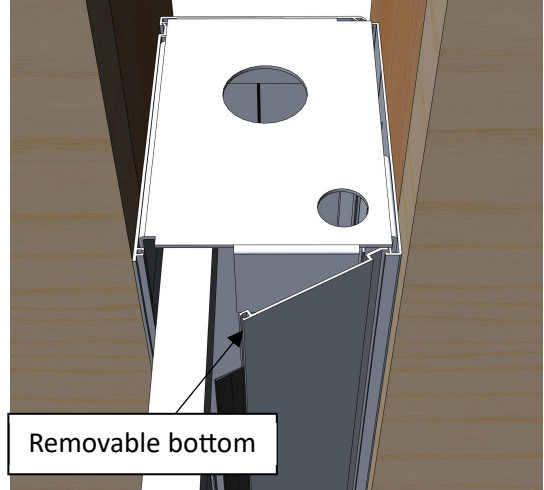
CAVITY MOUNT INSTRUCTIONS



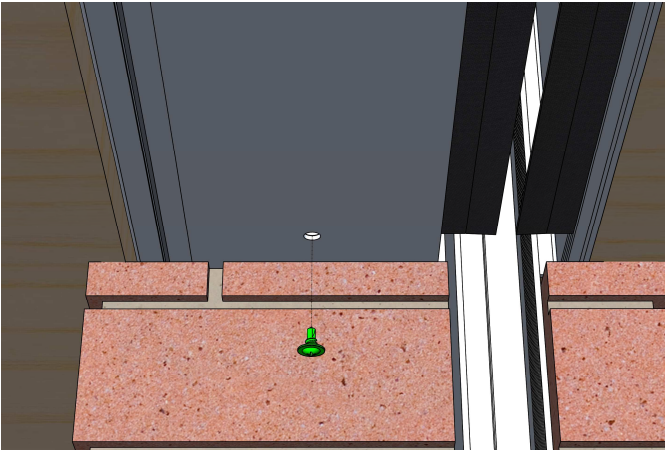
CAVITY MOUNT INSTRUCTIONS



Step 7: Plumb and mount BuilderBrackets and U-channel on both ends. Bracket may need to be rotated and slid into place.



Step 8: Snap bottom into place.



Step 9: Secure bottom at both ends of cover with tek screw.