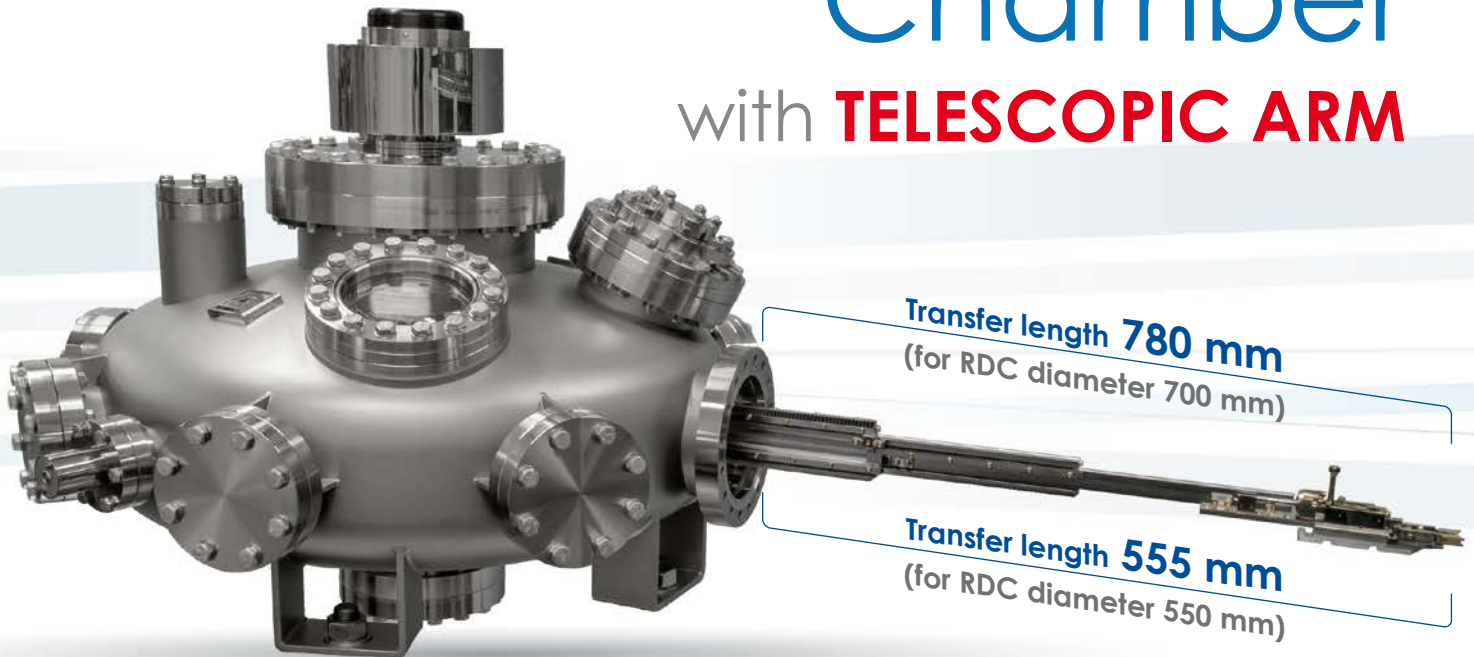




# Radial Distribution Chamber

with **TELESCOPIC ARM**



## DESCRIPTION

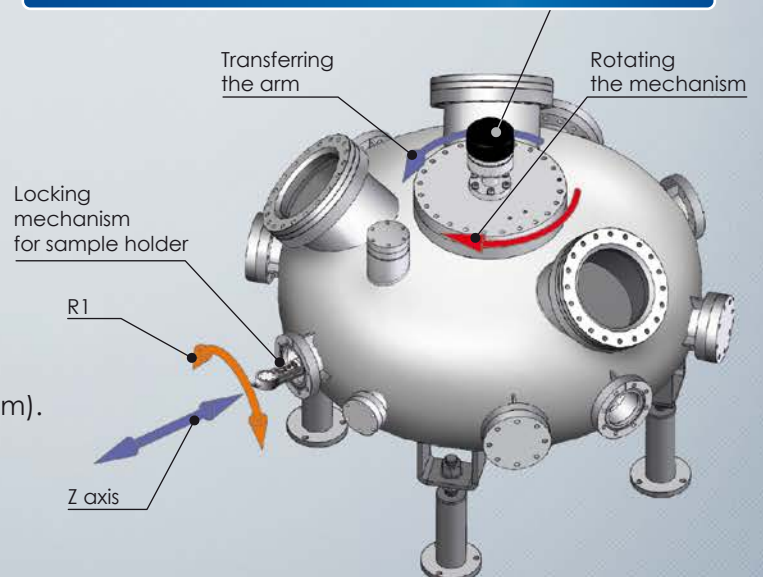
The **radial distribution chambers** (RDC, UFO) are designed to transfer samples between multiple preparation and analysis chambers that are connected to it. The chambers are normally mounted at the centre of a series of chambers, acting as a central distribution hub for cluster tools.

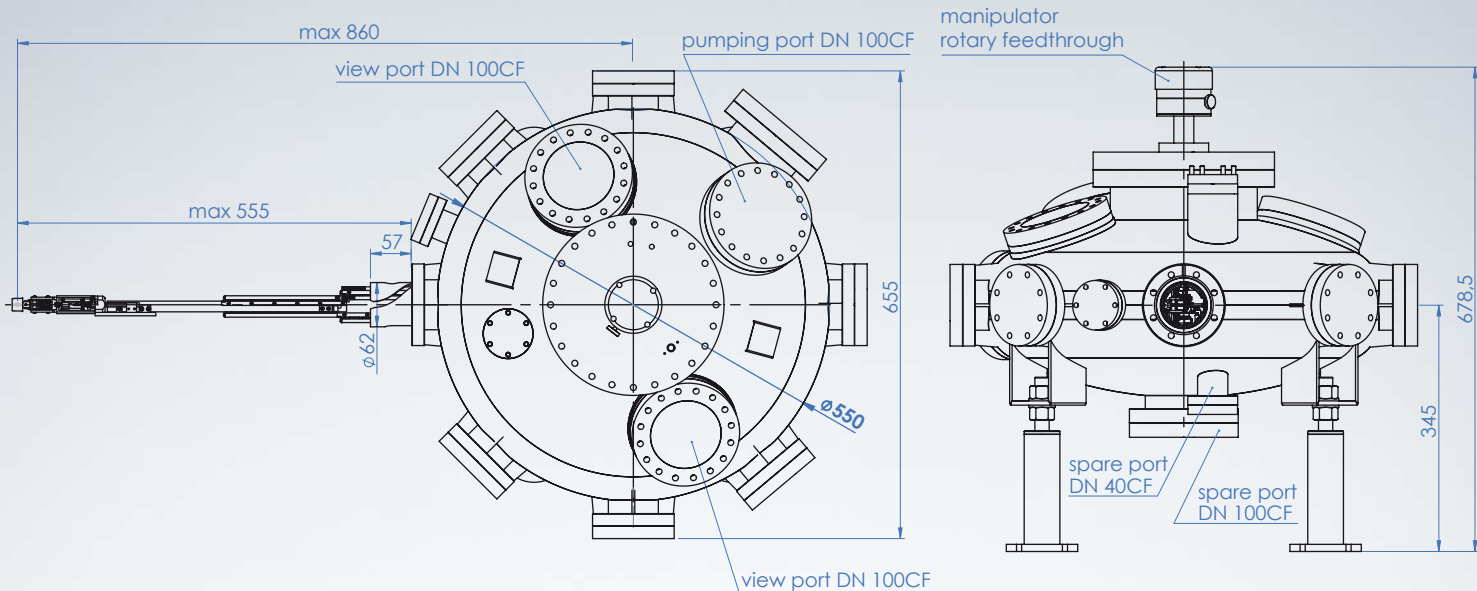
## FEATURES

- **Base pressure:  $10^{-11}$  mbar range ( $5 \times 10^{-9}$  mbar during transferring)**
- Up to 8 transfer positions to other chambers with automatic sample positioning
- Numerous viewports
- Equipped with UHV connecting flanges and additional ports for future versatility
- Transfer mechanism with rack-and-pinion motion feedthrough
- Ball pen principle locking mechanism for PTS & Flag sample holders
- Fast and reliable transfer to both hot and cold samples
- **Transfer between the chambers less than 45 sec (manual mode)**
- Transfer length from 555 (for RDC diameter 550mm) to 780 mm (for RDC diameter 700mm). Can be customised.
- Fully motorised, semi motorised or manual  
Fully software controlled and automated

By rotating **only one** rotary feedthrough you can move the transfer arm in and out, rotate the sample holder around the arm axis, rotate the mechanism between transfer ports and lock/unlock the sample holder

Very high **stability** and **repeatability**





RDC Ø550mm technical drawing

## ADDITIONAL INFORMATION

### SAMPLE HOLDERS

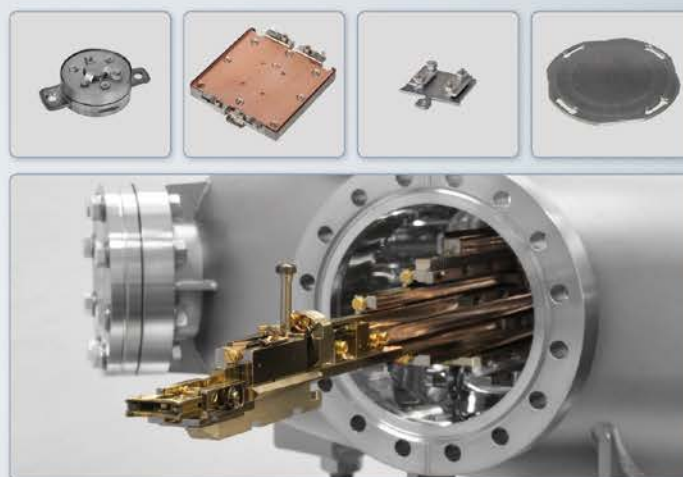
RDC design allows to transfer a wide range of various sample holders.

- PTS, Flag style, deposition or special design holders up to **8"**
- Heating by direct, indirect or e-beam methods up to **2000°C**
- High cooling efficiency down to **4.8 K** (LHe)
- Holders dedicated for e.g. quartz balance, Faraday cup, high pressure reactors, powder materials, IR spectroscopy

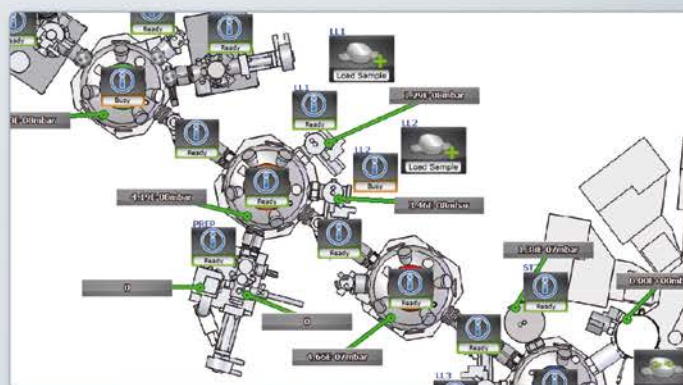
### PUMPING

RDC can be equipped with application matched vacuum pumps to achieve the **best pressure range**, e.g. Ion pump, turbo pump, getter pump, titanium sublimation pump.

**Fully motorised, semi motorised or manual operation**



### SOFTWARE CONTROL



**Full software control and automation** using PREVAC's electronics and dedicated software which have been developed in-house based on the latest innovation solutions combined with our unique vacuum experience.



RADIAL DISTRIBUTION CHAMBER

If you need any further information, please do not hesitate to contact our sales department

✉ sales@prevac.eu  
☎ +48 32 459 21 30  
☎ +48 32 459 20 01



PREVAC sp. z o.o.  
Raciborska Str. 61  
PL- 44362 Rogów

LOCAL CONTACT: