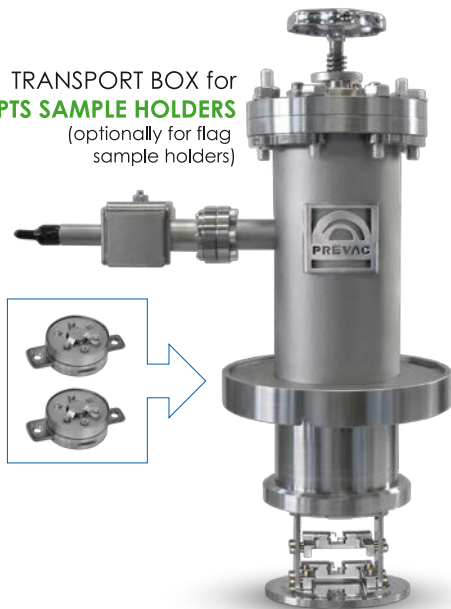


TRANSPORT BOX

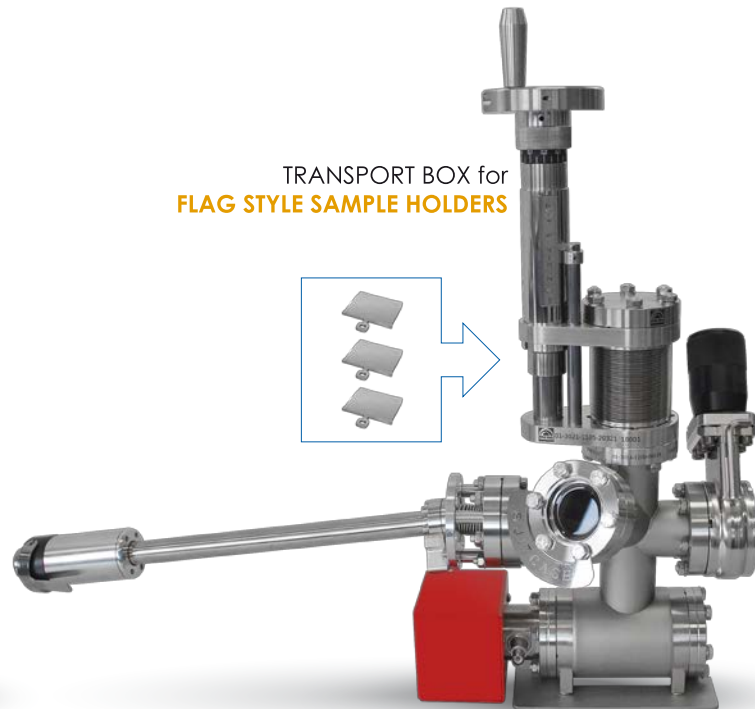
Vacuum suitcase



TRANSPORT BOX for
PTS SAMPLE HOLDERS
(optionally for flag
sample holders)



TRANSPORT BOX for
FLAG STYLE SAMPLE HOLDERS



DESCRIPTION

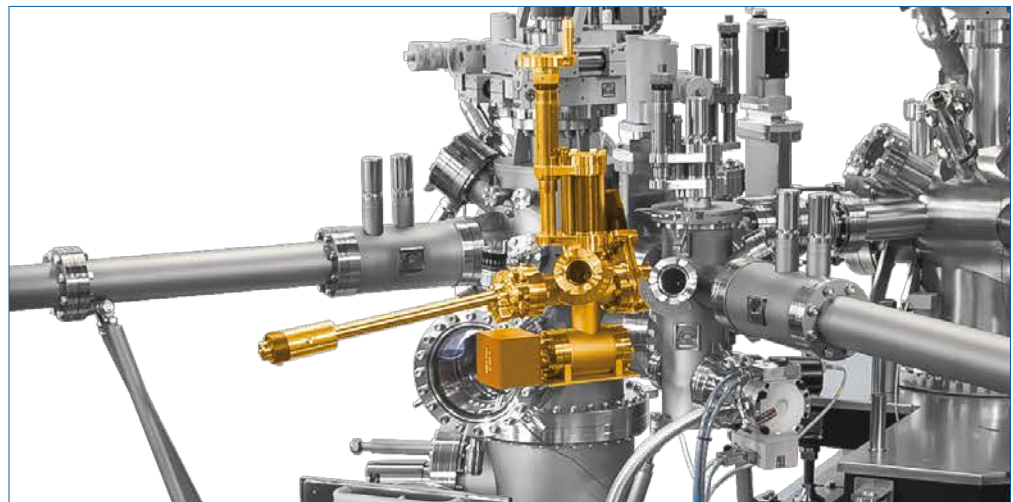
Transport boxes are designed for transporting samples between different UHV systems under ultra high vacuum conditions. Sample holders/samples can be stored and transported inside the transport box while maintaining UHV conditions. Vacuum is ensured by an ion pump and it's monitored by appropriate pressure gauge. The pump is designed so that it can be powered from e.g. a car battery or other power source.

PUMPING OPTIONS

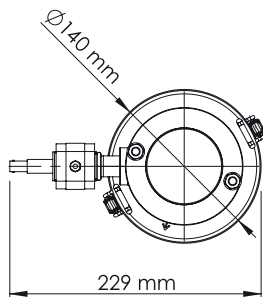
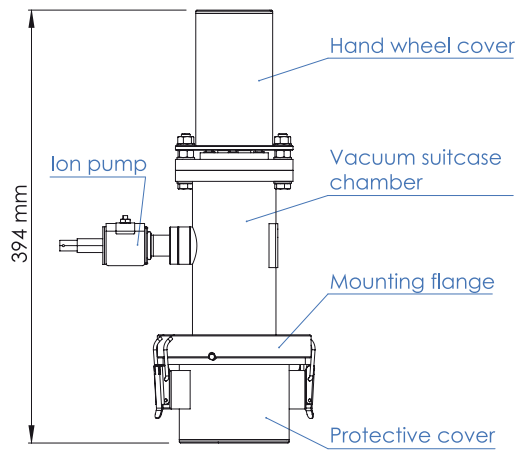
- NEG Getter pump - pumping speed: 200 l/s (DN 40CF)
- ION pump - pumping speed: 3 l/s (DN 16CF)

TECHNICAL DATA

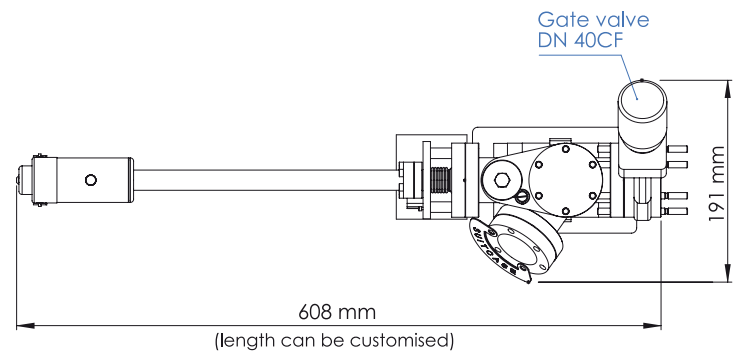
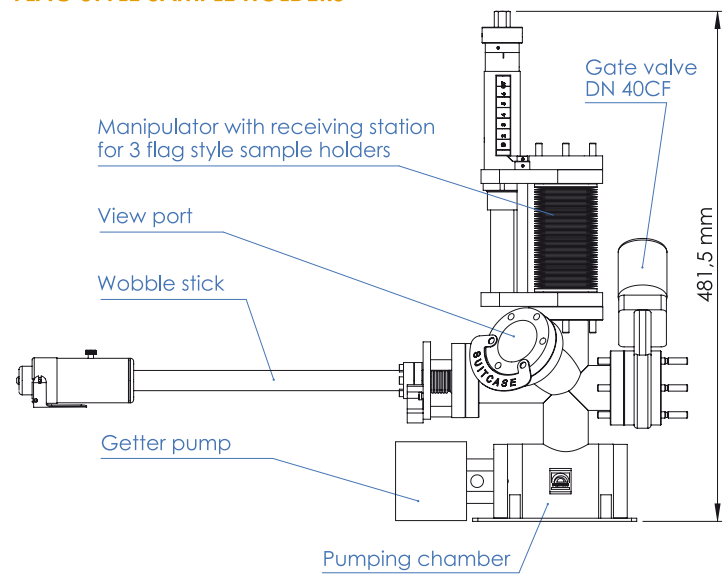
	for PTS sample holders	for flag style sample holders
Weight	~7 kg (8 kg with power supply)	~12 kg (13 kg with power supply)
Pressure range	down to 1×10^{-9} mbar	down to 1×10^{-10} mbar
Mounting flange (transferring port)	PTS dedicated load lock connection port	DN 40CF
Storage	up to 2 sample holders	up to 3 sample holders



TRANSPORT BOX for
PTS SAMPLE HOLDERS



TRANSPORT BOX for
FLAG STYLE SAMPLE HOLDERS



CUSTOM DESIGN

VARIOUS TYPES OF SAMPLE HOLDERS

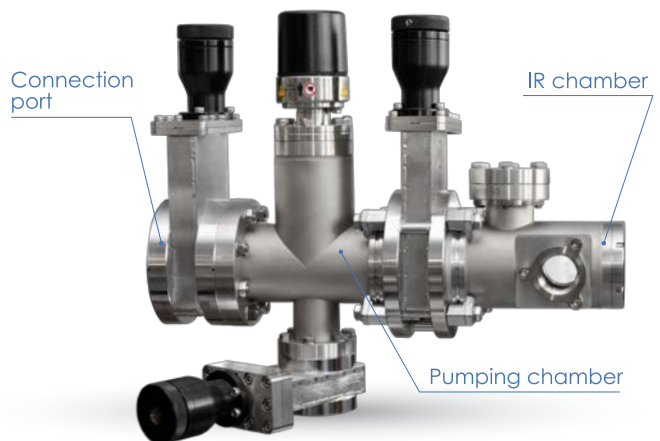
Bespoke transport box designs to accommodate various types and styles of sample holder.



PORTABLE INFRARED CHAMBER

Compact size, simple design transport box dedicated for FTIR spectroscopy investigations. Easy connection to IR spectrometer thanks to its portability.

Patent no. PL220339



PREVAC sp. z o.o. sales@prevac.eu
Raciborska Str. 61 [+48 32 459 21 30](tel:+48324592130)
PL44362 Rogów [+48 32 459 20 01](tel:+48324592001)