

The HIGH SPEED *EAGLE V5* (Coolant Version)

New Design - Innovative Technology - High Performance

HIGH SPEED *EAGLE V5* New 3/5-Axis Design



Compact 3/5-Axis Solution!

Machine Footprint: W x D x H
79.3 x 108.0 x 96.0 inch

Axis Travel: X x Y x Z
21.6 x 15.7 x 15.7 inch

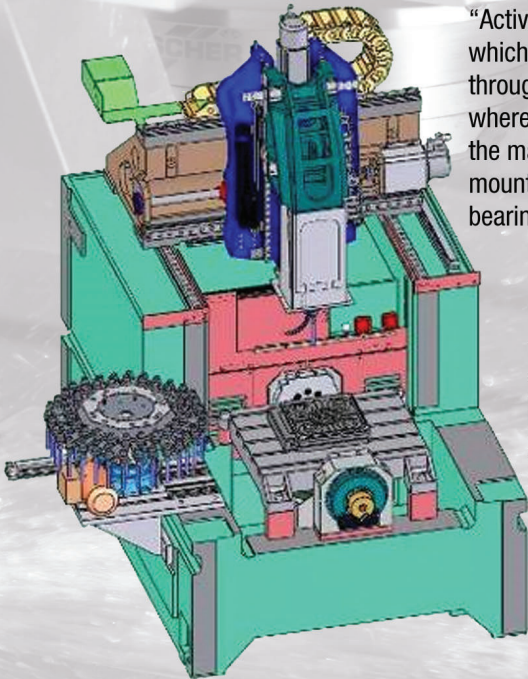
Optional 3-Axis Table Size:
X 21.6 x Y 15.7 inch

Standard Rotary Table Size/Tilt:
15.7" Dia / -140 ~ +60 Deg.

Features:

- **Polymer Concrete Base-Design** and topology optimized structure for optimal stiffness, temperature symmetry and vibration-damping machine bed with a 3-point foundation set-up.
- **Active Thermal Control** uses a system of active cooling lines running throughout the machine structure where ever heat is generated such as, the machine base, spindle mounts, floating and fixed bearings, guide ways, etc. to maintain the highest possible machining accuracy.
- **Direct Coupled AC Servo Motors** provide rapid speeds of 1181"/min. with 590"/sec² acceleration, uses Heidenhain glass scales in all axes to maintain the highest accuracy possible.
- **Direct Drive 4th/5th Axis** is a High Dynamic tilt/turn axis capable of holding 400 lb. with a -140° ~ +60° tilting B-Axis @ 25 RPM and a 360° C-Axis @ 100 RPM.
- **Standard Spindle Size** is a 36,000 RPM HSK-E50 spindle providing 33 HP w 12 ft. lb. of torque to best fit the applications this machine is designed for.
- **Heidenhain 3/5-Axis Control** the TNC 640 with 15" display provides a 0.5ms (120,000 BPM) processing speed with a 5000 block look ahead and a premium software package to produce the smoothest 3D profiles.

Gantry Design supports the X, Y and Z-Axis

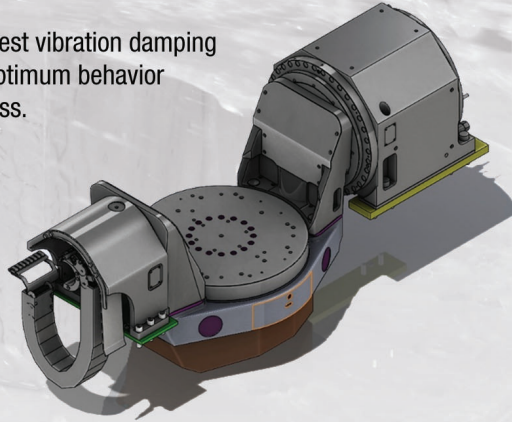


Precision Package-5 includes "Active Temperature Control" which uses active cooling lines throughout the machine structure where ever heat is generated, the machine base, spindle mounts floating bearings, fixed bearings, guide ways, etc.

This drawing is showing the optional 3-axis table mounted over the standard rotary table.

Polymer Concrete is used for best vibration damping and higher weight, therefore optimum behavior between moving and static mass.

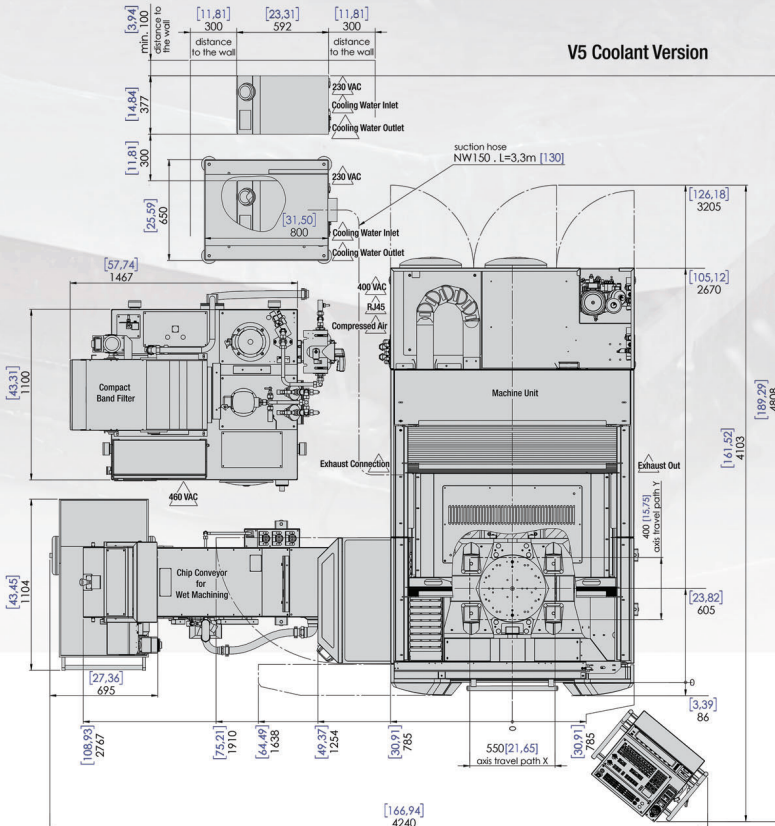
Standard
4th/5th Axis D.D. Unit
Accepts 15.7" sq. pallets for automation that can load from the right side of the machine.



V5 Coolant Version Technical data

Travel distances	X 21.6" x Y 15.7" x Z 15.7" X 550 mm x Y 400 mm x Z 400 mm
Travel speed	max. 1,181"/min. : 30 m/min
Acceleration	max. 590.5"/s ² : 15 m/s ²
3-Axis T-slot table (option)	T-slot table expandable over 4 th /5 th axis
3-Axis Table clamping surface	X 25.6" x Y 19.7": X 650 mm x Y 500 mm
Max. 3-Axis table load capacity	up to 1102 lb. : 500 kg
T-slot	5 x 14 H12
Spindle nose to table distance min./max.	2.0"/ 17.7" 50/450 mm
Workpiece size 3-Axis	X 21.6" x Y 15.7" x Z 15.7" (max. 1,102 lb) X 550 x Y 400 x Z 400 mm (max. 500 kg)
Workpiece size Direct Drive 5-Axis	Ø 15.7" ; H 15.0" (max. 440 lb) Ø 400 mm; H 380 mm (max. 200 kg)
Connected load	36 kVA
High-frequency spindle Standard Optional spindle	HSK E50: 1 - 36,000 rpm HSK E40: 1 - 42,000 rpm
Spindle power S1 (S6-40%) Std. Spindle power Optional	33.2 HP : 24.8 kW (44.2 HP 33kW) 20 HP : 15 kW
Tool changer selection Std./Opt.	32/80 pos. (HSK E50) 32/100 pos. (HSK E40)
Minimum lubrication	Included
CNC control unit	Heidenhain TNC 640 with 15" Screen
Dimensions	W 79.5" x D 110.2" x H 96.5" W 2.020 mm x D 2.800 x H 2.450 mm
Total weight	15,873 lb. : 7.200 kg
Direct Drive 5-Axis rotary table	B-axis -140° / +60° @ 25 rpm C-axis 100 rpm Workpiece weight: 440 lb. : 200 kg

V5 Coolant Version



P3 Coolant System

- 180 gal. : 700L Tank size
- 580 PSI : 260 kg Tru Tool Coolant
- External coolant
- Police filter
- Belt filter
- Chip conveyor (Chip bucket optional)

Workpiece Dimensions

3-AXIS
optional table

XxYxZ: 21.6" x 15.7" x 15.7"
550 x 400 x 400 mm
max. 1102 lb : 500 kg,

5-AXIS

Ø 15.7" : 400 mm/H 15.0" : 380 mm
max. 440 lb. : 200 kg

MC MACHINERY SYSTEMS, INC.

a subsidiary of Mitsubishi Corporation

MC Machinery Systems Inc.
85 NorthWest Point Blvd.
Elk Grove Village, IL. 60007
Phone: (630) 616-5920
Fax: (630) 616-4068
www.mcmachinery.com