

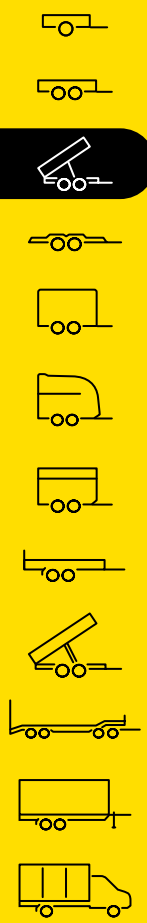
Complete range

Tipper & Transporters



Multi-
talents up
to 3,5 t from
Humbaур

humbaур.com



Experience it for yourself

Our rationale makes it easy for you to become a staunch follower of Humbaurs high-quality products.



Follow HUMBAUR!

„Because HUMBAUR is as weather-resistant as I am“

35 years of experience

We have been one of the leading manufacturers of car trailers for over 35 years. Over 1,000,000 trailers have left our premises since our company was founded. Nowadays, we produce around 60,000 units per year. And our wealth of experience is reflected in each of our trailers.

High quality

Robust and long-lasting — that's what a trailer needs to be. We use outstanding components and first-rate workmanship to achieve this goal. Before we deliver each trailer, we put it through its paces.

A wide range of transportation solutions

Our offering covers a very wide range of uses. Whether you are looking for a trailer for private or commercial needs, we can provide you with the appropriate model. You can choose a maximum gross weight between 750 kg and 55 t.

Wide range of accessories

Do you have very specific demands when it comes to your trailer? Thanks to a number of matching accessories, you can add to the comprehensive standard features to meet your requirements.

Committed customer service

If your trailer has a gross weight of up to 3.5 t, your dealer near you will be happy to help. Owners of trailers with a gross weight of 5 t or above can use our direct service. Whether you need a spare part or have a question about how to use your trailer – we and your local dealer, will be happy to help.

High-quality components

Quality is reflected in the detail — that's why Humbaurs only uses high-quality vehicle components produced by reputable manufacturers. We continuously share our experiences with our suppliers. This enables us to continuously improve our products.

Table of contents

| | |
|--|----|
| Experience it for yourself | 2 |
| The specialists for multiple Tasks | 4 |
| Trailers | |
| Rear tipper HUK | 6 |
| HTK single/tandem | 10 |
| HTK three-axle | 14 |
| HS tandem-axle | 18 |
| HS tandem-axle Profi | 22 |
| Optional accessories..... | 26 |
| Strengthened by experience..... | 30 |



The Series 3000

The specialists for multiple tasks



Rear tipper HUK

The new single and tandem-axle models. Standard features of the HUK models include welded and hot-dip galvanised frame parts, integrated tie-down hoops, a steel tipping platform and a three-stage tilt cylinder operated by hand pump.



Three axle tipper HTK Alu

Our HTK shines with its quality and a hand pump that can be replaced by an electric hydraulic pump if required. From 3000 kg you will receive the electric and hand pump as standard. So you can use your HTK for every application easily and independently. The HTK is available as a tandem and a three-axle version.



Construction machine transporter HS

Do you regularly have to transport light or medium-duty plant or diggers? The HS is designed for daily transportation with its solid construction. The low loading height facilitates loading. The accessible wings and protected lighting units make it particularly suitable for everyday use.

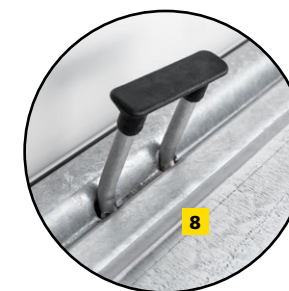
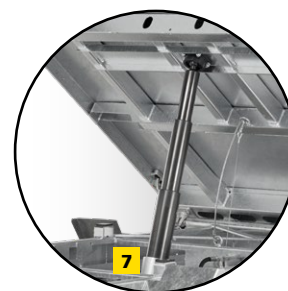


Construction machine transporter HS Profi

The HS Profi is the payload-optimised plant transporter. It takes up to 2800 kg payload with aluminium drive-up ramps with built-in support, a wooden floor and an approx. 200 mm high circumferential railing that is welded to the frame. Six lashing points welded in the frame allow the load to be secured

REAR TIPPER HUK





Looks good in the garden or on the building site

- 1 Chassis and tilt bridge welded and hot-dip galvanised
- 2 Galvanised bridge floor
- 3 300 mm side plates hinged all round
- 4 Hand pump, optional electric hydraulic pump
- 5 Drawbar closures
- 6 Conical end stanchions, removable
- 7 3-stage telescopic cylinder with hand pump
- 8 V-groove outer frame with recessed tie-down hoops
- 9 Lighting integrated in the rear underride protection
- 10 Automatic jockey wheel

REAR TIPPER HUK



| Permissible gross weight in kg | Model | Overall dimension in mm | Internal dimensions in mm | Load capacity in kg | Load height in mm | Tyres in inches | Tilt angle (rear) |
|--------------------------------|-------------------|-------------------------|---------------------------|---------------------|-------------------|-----------------|-------------------|
| 1300 | HUK 132314 | 3650 x 1540 x 950 | 2300 x 1400 x 300 | 900 | 640 | 13 | 45° |
| 1500 | HUK 152314 | 3650 x 1540 x 950 | 2300 x 1400 x 300 | 1100 | 640 | 13 | 45° |
| 1500 | HUK 152715 | 4130 x 1640 x 980 | 2680 x 1500 x 300 | 1025 | 670 | 13 | 45° |
| 1800 | HUK 182715 | 4130 x 1640 x 980 | 2680 x 1500 x 300 | 1310 | 670 | 13 | 45° |
| 2000 | HUK 202715 | 4130 x 1640 x 980 | 2680 x 1500 x 300 | 1470 | 680 | 13 | 45° |
| 2700 | HUK 272715 | 4130 x 1640 x 980 | 2680 x 1500 x 300 | 2160 | 670 | 13 | 45° |
| 2700 | HUK 273117 | 4510 x 1890 x 970 | 3140 x 1750 x 300 | 2015 | 670 | 13 | 45° |
| 3000 | HUK 303117 | 4510 x 1890 x 970 | 3140 x 1750 x 300 | 2315 | 670 | 13 | 45° |

Subject to change without notice. All dimensions are approximate values and refer to the standard vehicle without accessories. Additional equipment changes both the unladen weight and the load capacity!





1



2

Accessories (available as an option)

- 350 mm side plate extensions
- Closed aluminium extension 620 mm
- Steel lattice extension 620 mm
- E-pump
- Tarpaulin & frame, various load heights
- Supporting feet
- Toolbox



3

- 1 FLEXePUMP hand pump for cordless screwdriver operation (optional for HUK models ..2314-..27.15)
- 2 Drawbar closures for the side plates
- 3 HUK in tilted condition



TANDEM-AXLE HTK



Side panels
optionally
in
Steel!



He helps - whatever you have in mind

- 1 Square bar bolted with welded frame construction, hot-dip galvanised
- 2 Chassis and tilt bridge hot-dip galvanised
- 3 Tilt bridge made of steel, manufactured from one piece
- 4 4-stage tilt cylinder
- 5 Hand pump, optional electric hydraulic pump; from 3000 kg permissible total weight electric and hand pump
- 6 Humbauro multifunctional lighting
- 7 13-pin plug and reversing light
- 8 Side plates made from anodised aluminium, can be fully removed
- 9 Rear panel can be pivoted
- 10 Tie rings integrated in the bridge floor, tensile force 800 kg per tie ring
- 11 Automatic jockey wheel
- 12 Standard panel bay integrated in the vehicle for easy retrofitting of the aluminium panels

3000 SERIES TANDEM AND THREE-AXLE HTK

| Permissible gross weight in kg | Model | Overall dimension in mm | Internal dimensions in mm | Load capacity in kg | Load height in mm | Tyres in inches | Tilt angle (rear) | Tilt angle (lateral) |
|--------------------------------|------------------------|-------------------------|---------------------------|---------------------|-------------------|-----------------|-------------------|----------------------|
| 2000 | HTK 2000.27 ALU | 4070 x 1680 x 1260 | 2670 x 1500 x 350 | 1335 | 750 | 13 | 45° | 45° |
| 2700 | HTK 2700.27 ALU | 4070 x 1680 x 1260 | 2670 x 1500 x 350 | 2025 | 725 | 13 | 45° | 45° |
| 2700 | HTK 2700.31 ALU | 4500 x 1903 x 1260 | 3140 x 1750 x 350 | 1840 | 745 | 13 | 45° | 45° |
| 3000 | HTK 3000.31 ALU | 4500 x 1903 x 1260 | 3140 x 1750 x 350 | 2130 | 745 | 13 | 45° | 45° |
| 3500 | HTK 3500.31 ALU | 4500 x 1903 x 1260 | 3140 x 1750 x 350 | 2550 | 760 | 13 | 45° | 45° |
| 3000 | HTK 3000.37 ALU | 5026 x 2022 x 1251 | 3630 x 1855 x 350 | 2100 | 745 | 13 | 45° | 45° |
| 3500 | HTK 3500.37 ALU | 5088 x 2023 x 1251 | 3630 x 1855 x 350 | 2485 | 760 | 13 | 45° | 45° |
| 3500 | HTK 3500.41 ALU | 5712 x 2280 x 1240 | 4100 x 2100 x 350 | 2315 | 760 | 13 | 45° | 45° |
| 3500 | HTK 3500.41 ALU Tridem | 5484 x 2280 x 1240 | 4100 x 2100 x 350 | 2250 | 750 | 13 | 45° | 45° |

Subject to change without notice. All dimensions are approximate values and refer to the standard vehicle without accessories. Additional equipment changes both the unladen weight and the load capacity!





1



2



3

- 1 Removable corner stanchions
- 2 Aluminium side panels extension (optional)
- 3 Recessed load-securing rings integrated in the sheet steel bridge
- 4 Standard panel bay integrated in the vehicle for easy retrofitting of the aluminium panels



4

Side panels optionally in **Steel!**



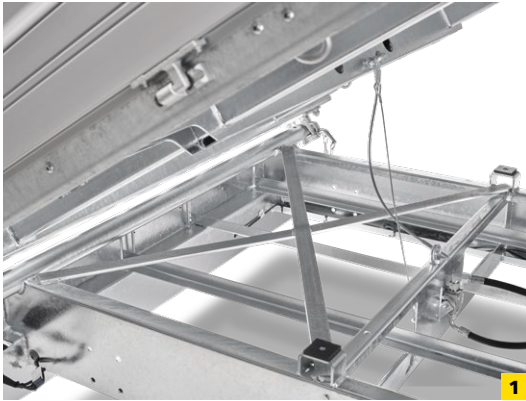
Accessories (available as an option)

- Height-adjustable drawbar
- DIN towing ring for height-adjustable bar
- Ball head coupling for height-adjustable bar
- Loose wheel shock absorbers without 100 km/h confirmation
- Wheel shock absorbers without 100 km/h confirmation
- Spare wheel
- Side panel extension, steel 350 mm can be pivoted
- Steel lattice extension approx. 620 mm high
- Aluminium panels with 2.8 t load-bearing capacity, 2650 mm long
- H-Frame
- 2 pieces telescopic crank support incl. crossbar
- 2 additional loose tie rings (4 pieces already standard)
- Flat tarpaulins for steel lattice extension, colour of your choice
- Tarpaulin & frame, load height 1800 mm/2000 mm
- Hydraulic connection
- E-Pump combined with emergency pump
- Padlock for braked trailers up to 3000 kg
- Metal locking show with lock for overrun hitch

Additional accessories available on request

THE HTK THREE-WAY-TIPPER – AVAILABLE AS A TANDEM- UND 3-AXLE MODEL!





- 1 Solid welded frame
- 2 From 3000 kg total weight electric and hand pump fitted as standard
- 3 Telescopic crank support (optional)





HTK



MAKES IT HAPPEN



HUK

TANDEM-AXLE HS



The one for all – with that certain extra

- 1 Bolted square tow bar, **hot-dip galvanised**
- 2 **13-pin** plug and **reversing light**
- 3 Welded **side plate/frame construction** made of **sheet steel, hot-dip galvanised**
- 4 **Hot-dip galvanised steel ramps** (1530 x 360 mm) upright, load-bearing capacity 1500 kg per ramp, with non-slip mesh lining as well as integrated supporting feet
- 5 **Load-securing rings** fitted x 12 in the outer frame (6 pairs) for 3000 mm and x 14 (7 pairs) for 3750 mm body length, tensile force 1000 kg for each load-securing ring
- 6 **Automatic jockey wheel**
- 7 Accessible **sheet steel wings** that lock with the side plates (standard tyres)
- 8 Humbaur **multi-function** light



3000 SERIES TANDEM-AXLE HS

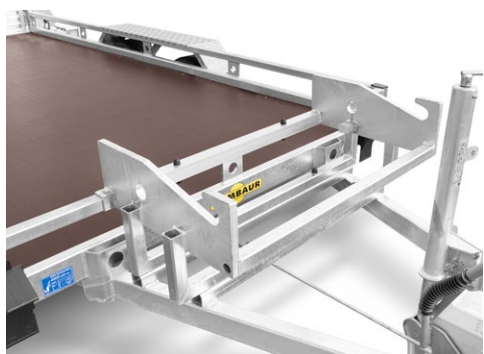


| Permissible gross weight in kg | Model | Overall dimension in mm | Internal dimensions in mm | Load capacity in kg | Load height in mm | Tyres in inches |
|--------------------------------|-----------|-------------------------|---------------------------|---------------------|-------------------|-----------------|
| 2500 | HS 253016 | 4960 x 2200 x 2015 | 3000 x 1600 x 270 | 1850 | 485 | 14 |
| 3000 | HS 303016 | 4960 x 2200 x 2015 | 3000 x 1600 x 270 | 2340 | 485 | 14 |
| 3500 | HS 353016 | 4960 x 2200 x 2020 | 3000 x 1600 x 270 | 2770 | 485 | 14 |
| 2500 | HS 253718 | 5710 x 2453 x 2015 | 3750 x 1850 x 270 | 1760 | 485 | 14 |
| 3000 | HS 303718 | 5710 x 2453 x 2015 | 3750 x 1850 x 270 | 2250 | 485 | 14 |
| 3500 | HS 353718 | 5710 x 2453 x 2020 | 3750 x 1850 x 270 | 2680 | 485 | 14 |

Subject to change without notice. All dimensions are approximate values and refer to the standard vehicle without accessories. Additional equipment changes both the unladen weight and the load capacity!



Steel lattice (optional)



Excavator shovel shelf for tow bar (optional)



Optimised, adjustable fasteners with rubber buffers



Accessories (available as an option)

- Aluminium floor instead of wooden floor
- Aluminium slot-in partition over the entire width in front of the panel
- Folding excavator shovel shelf
- Fixed excavator shovel shelf (only possible with HV bar)
- Spare wheel holder in tow bar (not in the case of HV bar)
- Wheel set 12- or 13-inch instead of standard tyres optional
- Spare Wheel
- Height-adjustable tow bar (without ball head coupling and DIN towing ring)
- Tarpaulin & frame, blue or grey, loading height 2000 for panels
- Tarpaulin & frame, blue or grey, loading height 2000
- Loose wheel shock absorbers
- Steel ramp panel approx. 1280 x 1870 mm high incl. suport, axle load tested to 2500 kg
- Tool box approx. 515 x 212 x 292 mm

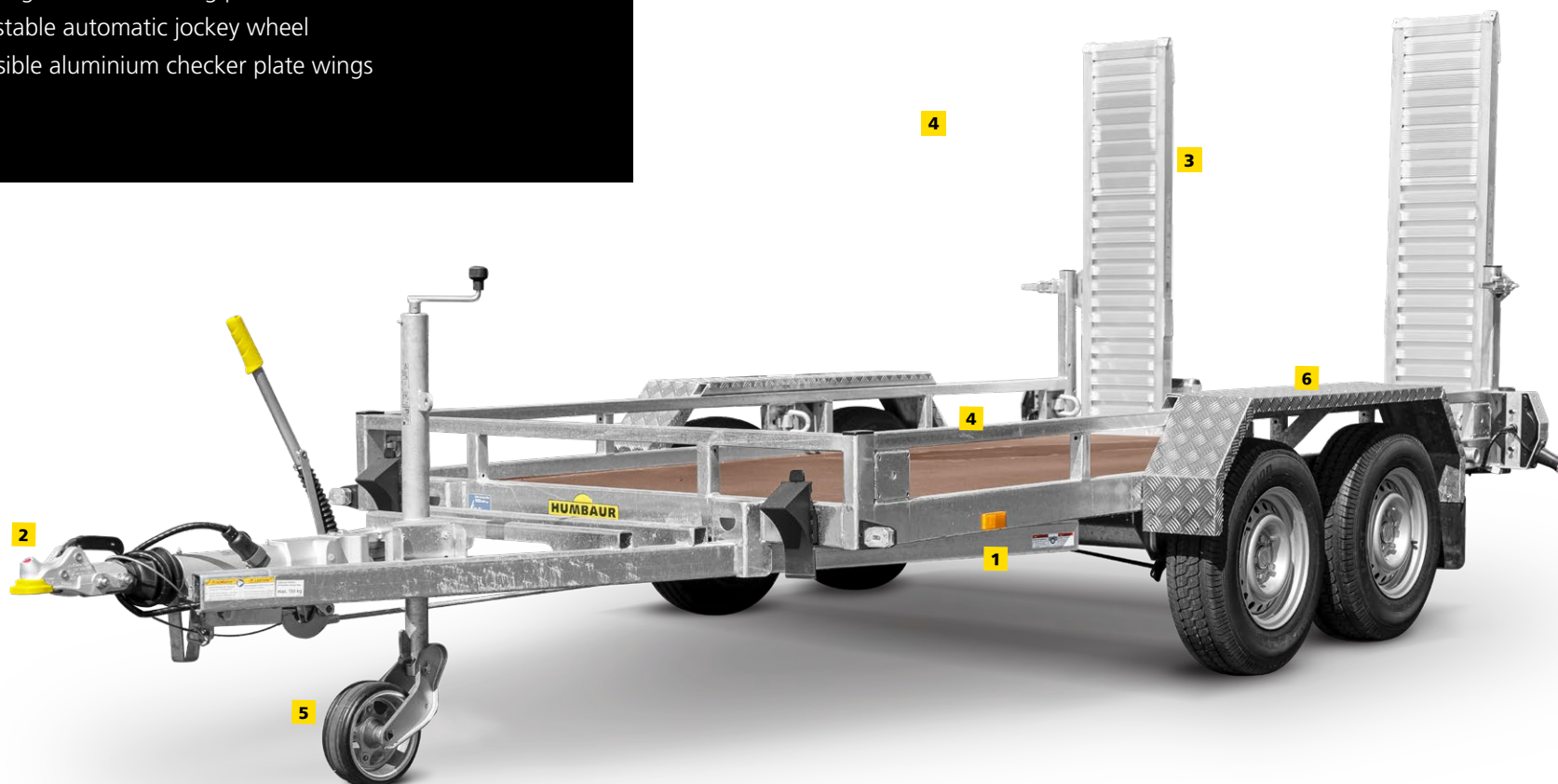
Additional accessories available on request

TANDEM-AXLE HS PROFI



He helps - whatever you have in mind

- 1 Welded side plate/frame construction, hot-dip galvanised
- 2 Professional cast overrun hitch with extra low hand break lever
- 3 Aluminium ramps (1511 x 370 x 65 mm) upright, with non-slip mesh lining as well as integrated supporting feet
- 4 Railings at front, left and right are firmly welded to the frame, including 6 welded lashing points
- 5 Extra stable automatic jockey wheel
- 6 Accessible aluminium checker plate wings



3000 SERIES TANDEM-AXLE HS PROFI



Accessories (available as an option)

Aluminium side plate sheets incl. rear aluminium slot-in partition

Wheel set 14" instead of 13"

Spare wheel

Additional accessories available on request

Tandem-Axle HS Profi

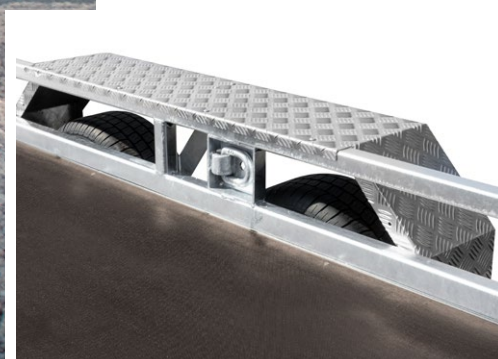
TECHNICAL DATA

HS 353516 PROFI

| | |
|--------------------------|-------------------|
| Overall dimension | 5270x2150x1960 mm |
| Internal dimensions | 3500x1640x210 mm |
| Permissible gross weight | 3500 kg |
| Load capacity | 2800 kg |
| Load height | 450 mm |
| Tyres | 13" |
| Ramp angle | 16° |



Optimised, adjustable fasteners with rubber buffers



Accessible aluminium checker plate wings



Excavator shovel shelf on tow bar (optional)



Our range of accessories

Body



Side panels extension 350 mm



Aluminium-Ramps (up to 1.9t load capacity / length 2465 mm; up to 2.3t load capacity / length 2230 mm; up to 2.8t load capacity / length 2650 mm)



H-frame



Foldable excavator shovel rest for V-drawbar

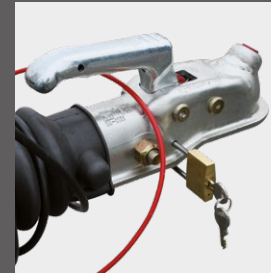


Steelramp

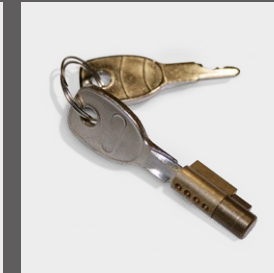


Steel grid attachment 620 mm

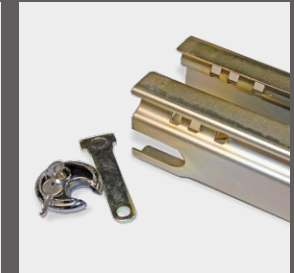
Theft protection



U-lock for braked trailers up to 3500 kg



Socket lock for unbraked trailers



Metal shut-off shoe with lock



Tailored to your requirements

Wheels and Tyres



Spare wheel



Spare wheel holder mounted



Spare wheel holder (loose)



Lighting/electrics



Adapter 7 - 13 pin



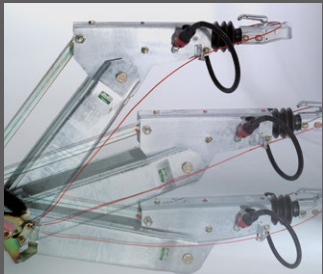
Load securing



Cover net in various sizes

Our range of accessories

Chassis



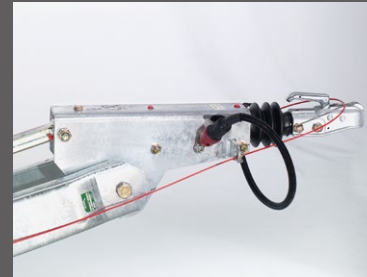
Height-adjustable drawbar
(Ball head coupling and DIN
towing eye not included)



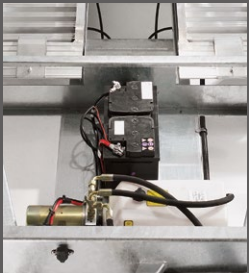
AKS safety coupling



Wheel shock absorber (loose)
without 100 km/h confirma-
tion



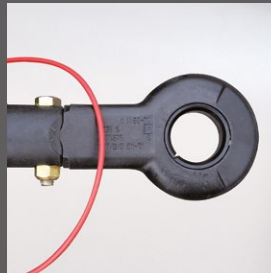
Ball head coupling for
height-adjustable drawbar



Combination operation of hand
and electric pump



Wheel shock absorber (mounted)
incl. 100 km/h confirmation



DIN towing eye for height-adjusta-
ble drawbar

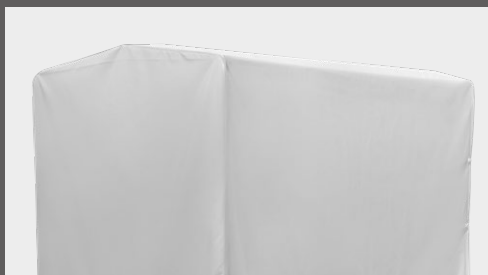


Telescopic crank supports (2
pieces)

*inkl. 100 km/h Bestätigung Radstoßdämpfer (lose) ohne 100 km/h Bestätigung

Tailored to your requirements

Tarpaulin standard colours



White/similar to RAL 9010



Yellow/similar to RAL 1003



Orange/similar to RAL 2011



Red/similar to RAL 3002



Green/similar to RAL 6026



Blue/similar to RAL 5002



Grey/similar to RAL 7038

Please note that the colours shown may vary from the original colours.

We are happy to create **customised** signage on tarpaulins on request



In addition to the **extensive standard equipment** for our trailer and vehicle bodies, we offer a wide selection of accessories **to suit each model.**

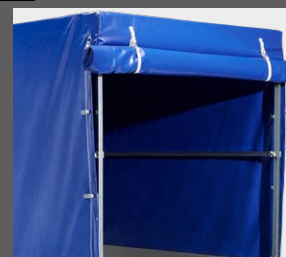
This means that you can configure just the right solution for your transport needs based on **your individual requirements** and they can grow alongside your transport requirements.



Tarpaulin



Flat tarpaulin in various colours and sizes



Tarpaulin & bows, loading height with 1300 mm / 1600 mm / 1800 mm / 2000 mm



Order spare parts – conveniently online

shop.humbaur.com

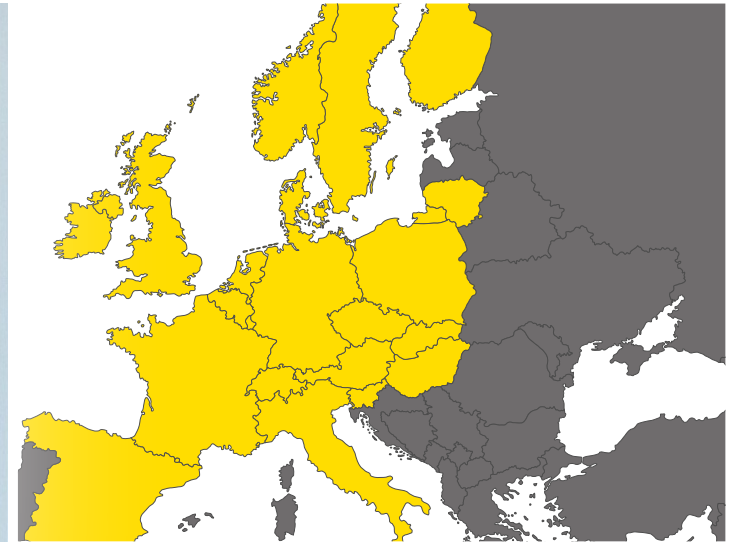
Strengthened by experience

Humbaur stands for innovation and customer-oriented solutions. This approach has enabled this owner-managed, medium-sized family business to become the **European market leader**. With around **420 different standard trailer models** from 750 kg to 55 tonnes for commercial and private clients and 230 models of the FlexBox vehicle bodies, it has the perfect solution to every transport problem. For over 35 years we have built a wealth of experience, together with our trading partners and customers that is reflected in each of our products – **in sophisticated functions and details, greater user-friendliness and a high level of driving comfort.**

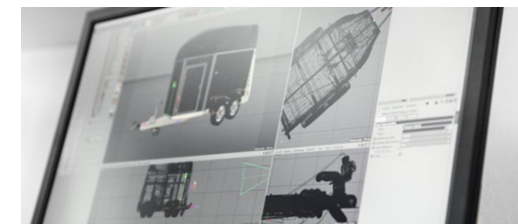
Our trademarks include robust and low-maintenance vehicles with an extensive range of standard equipment, as well a wide range of accessories plus the ability to offer customised solutions. Our own manufacturing expertise – ranging from small metal parts to polyester roofs or sandwich panels – combined with quality components from renowned manufacturers, ensures **durable products which retain their value well.**



Ulrich Humbaur
Proprietor, Director

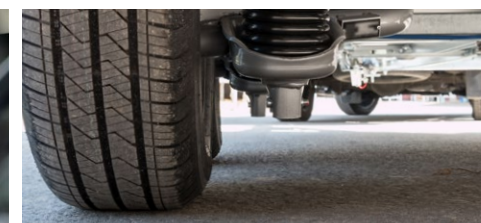


Together with our **partner network**, we provide comprehensive local support for all your transport problems. Together, we will find the right solution for your transport requirements and will take care of **servicing and repairs**. Our service includes reasonably priced repair options, as well as the **long-term availability of spare parts** so that you can enjoy and use your trailer or vehicle body for years to come.



Outstanding quality

We place great importance on the fact that our products operate even under **tough conditions** with no nasty surprises. We construct our trailers in robust designs using suitable materials of the required strength. We simulate the hardest conceivable use for our trailers on various test tracks. We check the stability and durability of the chassis, frame and components at full load. This is how we ensure the **outstanding quality** of our trailers.



Our **quality management system** is certified to **DIN EN ISO 9001:2015** and **KBA-ZM-A** and is regularly reviewed. We are also certified by numerous commercial vehicle manufacturers as a construction and reconstruction partner for the vehicle body segment. We regularly demonstrate **our quality** through recurring checks and through our products themselves.



As a customer, you benefit from this twice:
during use and when it comes to reselling.





Also on online and much more at
humbaur.com/en/downloads

Do you have any questions about this or any other pendant
in our range or would you like personal advice?

We look forward to hearing from you.

By telephone on **0821 / 24 929 - 0** or

by e-mail to info@humbaur.com

YOUR HUMBAUR DEALER NEAR YOU: