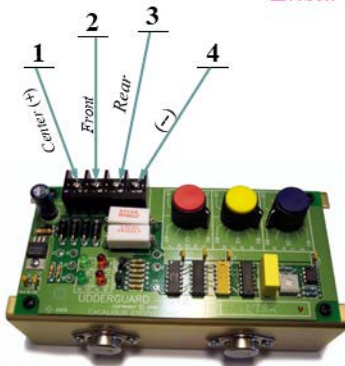


The Udderguard S™ series Controllers are designed as a “drop-in” replacement for a Surge® style barn. We recommend installing the Controller in a vertical position for optimal performance.

Ensure all Power has been turned off!



-From the bridge diode, hook the wire from the (-) to pin 4 on the controller. Hook the wire from (+) on the diode to pin 1 on the controller.

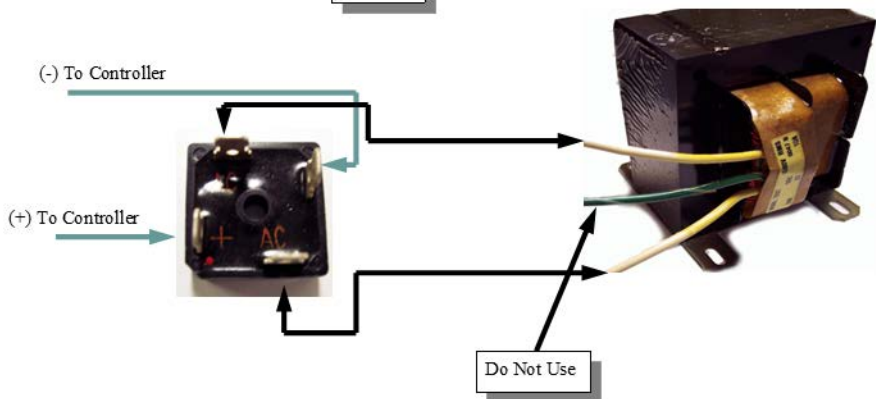
-From the pulsator(s), hook the Front wire to pin 2, and the Rear wire to pin 3 on the controller. Hook the Common or Return wire to pin 1 on the controller.

*****Recommended wire size is 12 gauge.***

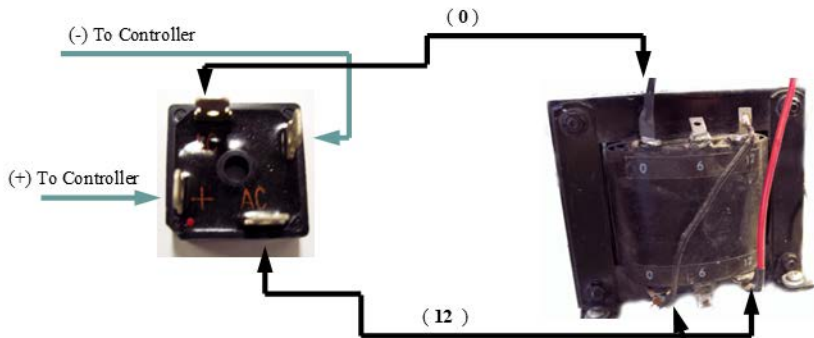
Surge® is a Registered Trademark of Babson Brothers.

If you are wiring in a new transformer and bridge, wiring should be as follows.

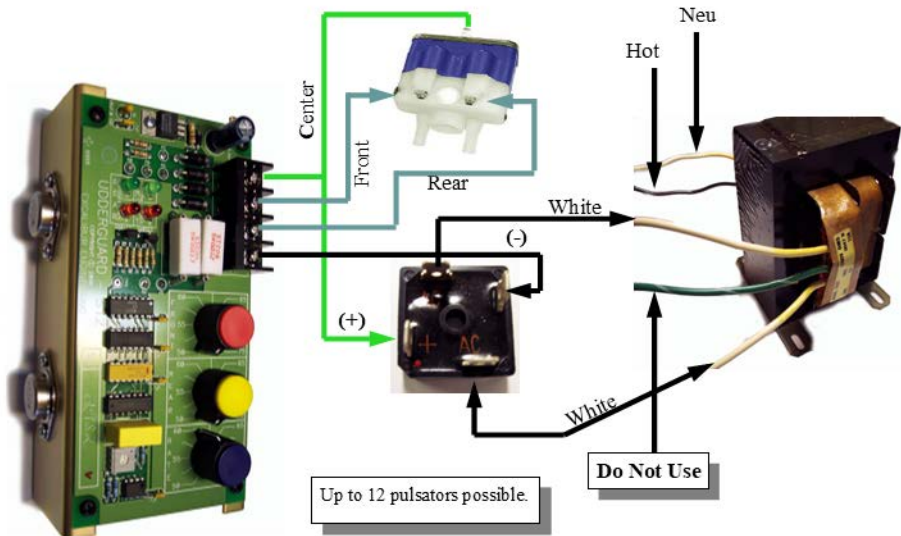
S12

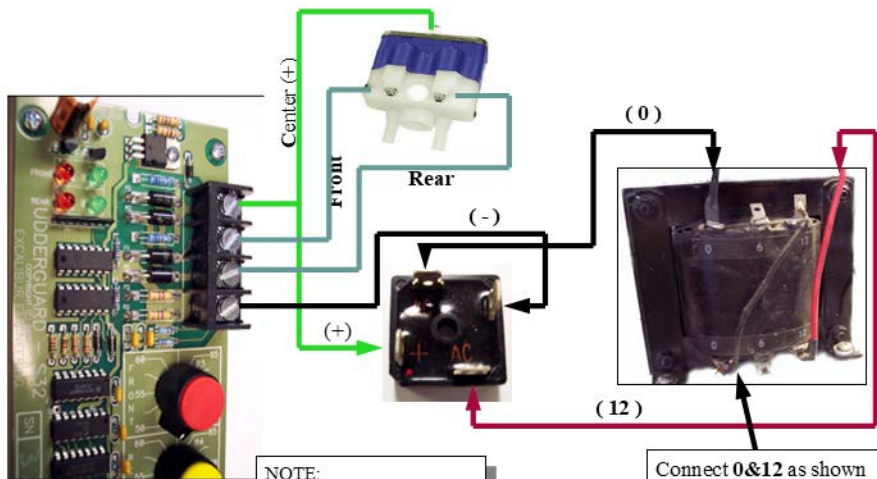


S32



Connect pin 0&12 as shown





NOTE:
Up to 32 pulsators possible.
Use box fan to cool unit.

Connect 0&12 as shown