

# Mix Wagon

The solution to precise well drilling

## MR-100



### The answer to automating your Conventional Mixing Plant.

Post Job Reports

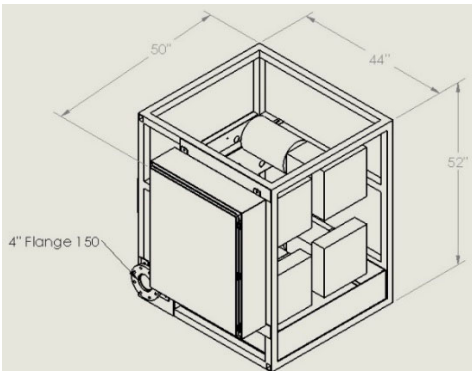
Maintain consistent circulating pressure.

Chemical concentrations automatically adjust to the changing water rates.

Single Operator

1 Year Warranty

View live anywhere (Real Time)  
Admin panel allows you to securely share your information with your customer



Compact size fits on any trailer  
50" x 44" x 52" / Weight 1100lbs



Easily fits in the bed of a 1500 truck



Control from Cell Phone or Laptop

5695 Jack Creek Rd | Booneville, AR 72927 | O.(479) 675-0079 | F.(844) Mix-Chem  
24hour support (479) 883-9496

# Mix Wagon

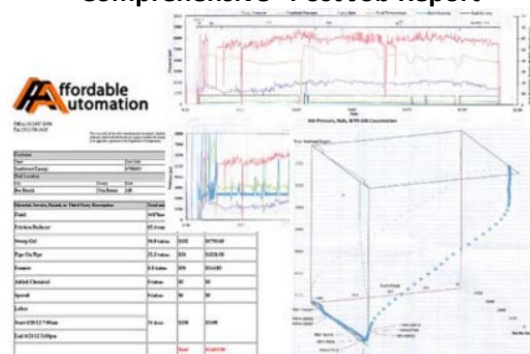
The solution to precise well drilling



## Secure website login



## Comprehensive "Post Job Report"



- Live jobs (Real Time)
- Job history and custom reports
- Instant message to operator
- Manuals and documents
- Maintenance schedule and unit history
- Email Reports

- Circulating and wellhead pressure
- Fluid flow rate and totals
- Chemical rates and totals
- Plug totals, volume, tag, and drill time.
- Sweep volume, viscosity, and plug

## Smart Unit (MR-100)

### Mix Wagon Features

- Heavy Duty welded steel construction
- High flow 4" flow meter (up to 20 BBL)
- Chemical concentration 0.05 to 6.0 gallon/10 BBL
- Clearly labeled hose operation
- Easy clean containment and cable tray
- 4 Chemical pumps mounted for easy service

### Control Features

- Simple touch screen controls
- Cell phone and Tablet control via onsite WIFI
- Active and Sweep concentrations are controlled separately
- 4 standard event buttons (Start Well, Finish Well, Plugs, Sweep)
- 10 User setup event buttons (BOP, Sheel, or Tool Test / Short Trip, Etc)
- Pressure sensor cables (Circulating, Wellhead Pressure)
- Highly accurate chemical flow meter (down to 0.005 gallon/min)
- Precise chemical saves up to 40% saving from convectional Mixing Plants
- Industrial standard parts
- Watertight controls and sensors

### Specification

- Chem rate (Max 6 GPM / Min 0.05 GPM)
- Voltage option (12VDC / 120 VAC / 240VAC)
- Cell router for internet
- WIFI long range 2.4GHZ
- Weight 800lbs
- Dimensions (50" x 44" x 52")

### Advance Data Collection System

- Comprehensive Event, Plugs, Sweeps, and Pressure Report
- 2D and 3D charts
- Chemical and fluid totals
- Real time analytics
- Coil unit data (connects with Orion software)
- Flowback return rates and tank levels
- Plug Weights and sweep returns

### Secure Remote Viewing (view from office)

- Real time viewing from the office
- Report history and custom report viewed from office
- Download complete CSV files
- Analysis well trends
- Instant message operator

### Support

- Includes 5-day on-site training
- 24-hour phone and remote login support
- Parts in stock and ready for delivery

### Options

- Waukesha pump
- pH inline meter
- Fluid temprature inline meter
- Wireless pressure sensor
- Dye injection system
- Viscosity inline meter
- Chloride inline meter

5695 Jack Creek Rd | Booneville, AR 72927 | O.(479) 675-0079 | F.(844) Mix-Chem  
24hour support (479) 883-9496