



SFT

SUPERFLOW
TANKLESS



FLOW

CONDENSING
TANKLESS WATER HEATER



IBC INTERGAS®

Innovative Labyrinth Heat Exchanger Design



The SFT Superflow utilizes our patented, tried-and-tested heat exchanger technology that incorporates a fully integrated copper coil, ensuring maximum heat transfer and minimal heat loss.

The cold water supply flows directly through the heat exchanger, condenses flue gasses fully and extracts as much heat as possible.



INNOVATION

Easy Maintenance

1. Mixing Valve
2. Exhaust Fitting
3. Burner Fan
4. Heat Exchanger
5. Rear Flue Duct
6. Gas Valve
7. Touch Pad Control
8. Condensate Trap
9. Air Intake
10. Cover
11. Inlet Gas Line
12. Outlet Gas Tube



4 Moving Parts

Fan, Mixing Valve, Gas Valve & Damper

The SFT Superflow contains cutting-edge, solid-state electronics to control its gas valve, fan and ignition.

By doing so, we've succeeded in reducing the number of moving parts, made servicing simple and increased reliability.



CUTTING-EDGE
COMFORT

If you'd like to shower with an uninterrupted hot water supply or run hot water from multiple taps at the same time, then the SFT SUPERFLOW is the perfect solution. The SFT is the latest innovation in high efficiency tankless water heaters. A continual supply of hot water through copper waterways at a constant temperature. And no tank in sight.

SIMPLE

Mount > Connect > Plug-in > Enjoy endless hot water

- A total of 4 moving parts - Unparalleled in the industry
- New illuminated touchscreen control display panel
- Built-in mixing valve to prevent temperature fluctuations
- Easy to install, maintain and service. Sleek wall mounted space saving design
- Improved hard water performance

RELIABLE

- Proven patented single pass Labyrinth heat exchanger
- Fully integrated copper waterway
- Innovative state of the art electronic control

EFFICIENT

- Fully condensing one piece heat exchanger
- Low NOX, low emissions
- Up to 5.2 GPM continuous at a 70°F rise
- Advanced temperature control



SFT - TANKLESS

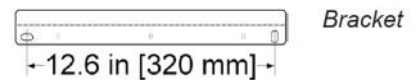
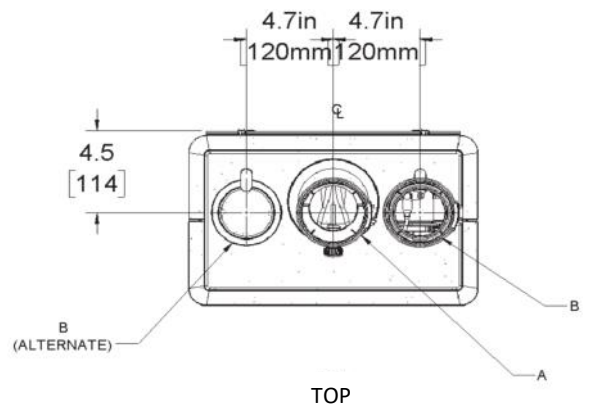
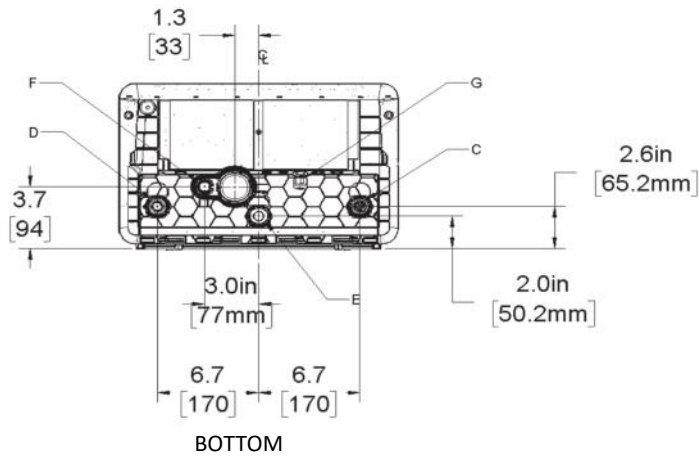
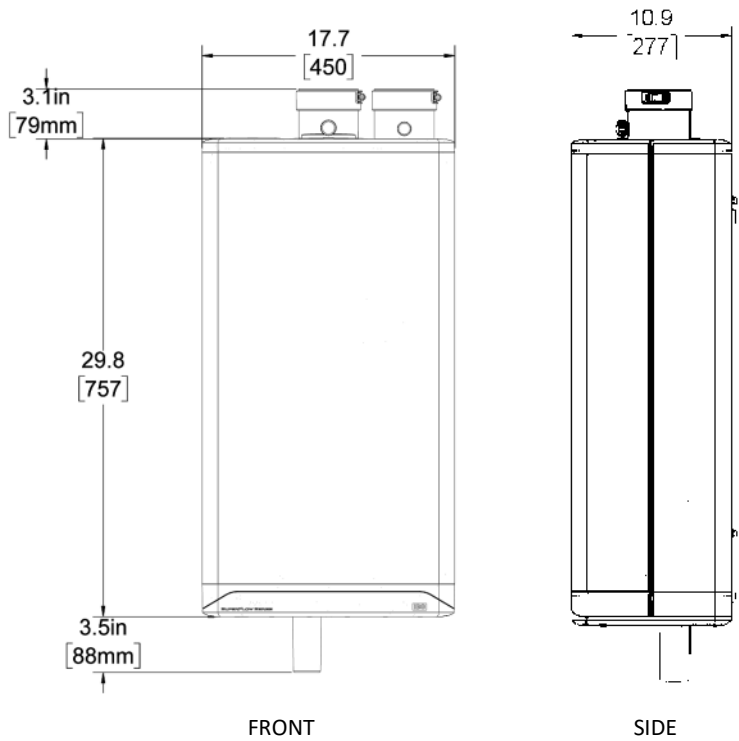
Dimensions

PIPING CONNECTIONS

A. Exhaust Outlet	3" Schedule 40
B. Combustion Air	3" Schedule 40
C. Cold Domestic Water Connection	3/4" Male NPT
D. Hot Domestic Water Connection	3/4" Male NPT
E. Gas Inlet	3/4" Male NPT
F. Condensate Outlet	3/4" Hose

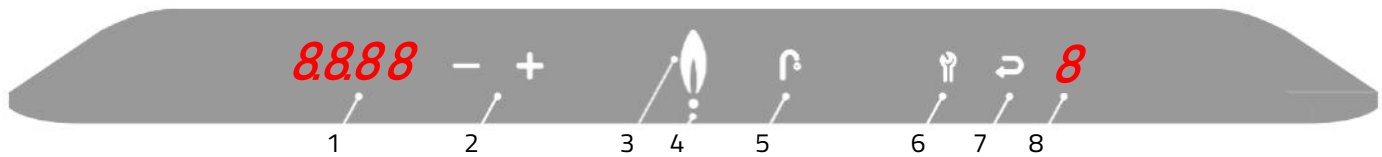
SURFACE DISTANCE FROM COMBUSTIBLE SURFACES RECOMMENDED DISTANCE FOR INSTALLATION AND SERVICE

Front	2"	24"
Rear	0"	0"
Left Side	1.5"	6"
Right Side	4"	6"
Top	2"	24"
Bottom	8"	24"



Touch Panel Control Indicators

The SFT controller functions as an interactive touch-sensitive panel with buttons that light up, showing indicators such as numbers, icons, or letters. Some of these lit indicators signify boiler operational status. Other indicators enable you to program the boiler.



TOUCH PANEL	FUNCTION	TOUCH PANEL	FUNCTION
1. Numerical display	Main display	5. Tap / Faucet	DHW indicator
2. Plus & Minus	Temperature adjustment	6. Wrench	Service / Reset
3. Flame	Burner ON indicator	7. Return arrow	Enter / Save
4. Dot	Power ON indicator	8. Numerical display	Service display



SFT - TANKLESS

Technical Information



VENTING	MAXIMUM EQUIVALENT LENGTH
Schedule 40 PVC, CPVC or PPs	(each side)
2"	35'
3"	120'
2" or 3" 90' Long Sweep Vent Elbow	Allow 5 equivalent feet
2" or 3" 90' Short Sweep Vent Elbow	Allow 8 equivalent feet
2" or 3" 45' Vent Elbow	Allow 3 equivalent feet
PPs	
PPs 87-90' Elbow	Allow 8 equivalent feet
Flex PPS	
3" PPs Flex	(Max. 35) actual feet times 1.4

SPECIFICATIONS	SFT-199	
Heat Capacity (Input)	Natural Gas / Propane	28,500 - 199,00 BTU/H
Efficiency Ratings (NG & LP)	U.E.F	0.89
Flow Rate (DHW)	35°F(19°C) Temp Rise	10.1 GPM (38 L/m)
	45°F(25°C) Temp Rise	7.9 GPM 30 L/m)
	67°F(36°C) Temp Rise	5.3 GPM (20 L/m)
Dimensions - (W/H/D)	17.7 in. x 29.8 in. x 10.9 in (450 mm x 757 mm x 277 mm)	
Weight (empty) – lb/kg	68 / 31	
Installation Type	Indoor only wall-hung	
Venting Type	Forced Draft Direct Vent	
	Electronic Ignition	
Water Pressure	40 - 150 PSI	
Natural Gas / Propane Supply Pressure (from source)	5 in WC-14 in WC	
Minimum Flow Rate to activate DHW heating - USgpm	0.5	
Pressure Vessel water content – USG/Liters	0.19 / 0.72	
Ambient Temperature – Low (°F/°C)	32 / 0	
Ambient Temperature – High (°F/°C)	122 / 50	
Max relative humidity (non-condensing)	90%	
Min water Temperature – Domestic Hot Water (°F/°C)	34 / 1	
Max water Temperature – Domestic Hot Water (°F/°C)	149/65	
Power Supply	Main Supply	120Vac, 60Hz
	Watts @ full fire	100 watts
Materials	Casing	Painted steel and plastic
	Heat Exchangers	Copper tubes in AL block
Venting	Intake & Exhaust	2 or 3 PVC, CPVC, Polypropylene 2 or 3 Special Gas Vent Type BH (Class II, A/B/C)
Vent Clearances	0" to combustibles	
Safety Devices	Flame Proving module, Flue Gas Temperature Sensor, Protective fuse	
Certified design	ANSI Z21.10.3 ▪ CSA 4.3	
Freeze Protection	Yes	

TEMP (°F)	RISE GPM
50	7.2
55	6.6
60	6.0
65	5.6
70	5.2
75	4.8
80	4.5
85	4.3
90	4.0
100	3.6
110	3.3
120	3.0
130	2.8
140	2.6



sales@ibcboiler.com ▪ www.ibcboiler.com

Toll Free: 1-844-HEAT IBC / 1-844-432-8422

All information contained in this brochure is subject to change without notice. Due to clerical error, regulation change or product development please confirm all information with IBC INTERGAS

900-312 (R5)

IBC INTERGAS®