



THE COR-



Presidents Message

Happy New Year!! There, it's been said. This being my first President's Message, I checked previous Corsairs to see what the former presidents had to say for their first President's Messages, and that was the most common introduction. I don't want to buck any trends just yet. Also, I really did want to wish everyone a Happy New Year, so it works out fine.

I hope everyone had a good 2023. "Good" meaning you worked on, and/or finished, as many models as you would have liked to. Personally, I could only count four models that I have finished. They were all quick and easy, with three of them being 1/72 scale aircraft. But then, four isn't too bad considering I did almost no modelling for the first five or six months of 2023. For some reason I was spending my "hobby time" on a Star Wars table-top miniature game. It is close to modeling in that it uses model replicas for play. Unfortunately, the miniatures come pre-finished and are worthless for anything else as the scale is too small for any detail.

I would like to let you know that I will always listen to any ideas or complaints that you have. I have never been President of this club in the past and I welcome all the help that I can get.

In addition to the presidential duties, I will also be assisting Wendell Rogers with Modelzona 2024. The plan is to take over the job from him by 2025 at the latest. That should keep me terribly busy for the entire year. Speaking of which, there is at least one aspect of Modelzona 2024 that I think we should start working on as soon as possible. We need to decide what kind of trophy packages we will have. If we are going to deviate from the medallions next year, then we must start that effort very soon.

I would like to officially start my tenure by asking for demonstrations and/or presentations for the club meetings. My goal is to have one for each meeting. Mike Mackowski posted a list of demo ideas on the Club Facebook page. Please look at it, and even add to it if you choose. This may also give you an idea of something you can present at a meeting. For the January 2024 meeting, if there are no other presentations, I plan to bring in some of my tools that I think are relatively uncommon but especially useful.

Now get out there and start working on some of those models you got for Christmas. I put one on my wish list, but I've found that the best models that I ever received as gifts, are the ones I did not ask for.

Kevin

Corsair Stop Press Dates 2024

January	21st
February	25th
March	24th
April	21st
May	26th
June	23rd
July	21st
August	25th
September	22nd
October	27th
November	24th
December	22nd

THIS ISSUE

White Elephant Pictures.....	2
Awards Dinner Info	5
Club Contest Themes.....	6
Editors Corner.....	7
Where We Were.....	9
Club Meeting Calendar.....	18
Raffle Update & Upcoming Events.....	19
Website References	20

White Elephant Pictures

The annual club white elephant gift exchange took place at the club meeting on December 12th 2023.

It was well attended with over half the club membership turning out for the occasion. The table was overflowing with 134 gifts to be taken/stolen etc.



White Elephant Pictures



As was previously ordained he who brought the most gifts would act as MC and I think John Carroll enjoys his role as the Grinch. The proceedings soon got underway with John doing his best to control the usual amount of havoc once the stealing started.

First up with ticket number one was Irv Singer who picked up a 1/32 Stuka which he was quite pleased with, but as we know just because you pick it does not mean you get to keep it.



White Elephant Pictures



Irv feeling very pleased with his first pick

Don Stewart had other ideas and was the first steal of the evening, relieving Irv of his Stuka very early on.

Don was also relieved of the Stuka and picked another one which was also stolen later on—that's the way it goes Don



The final gift looking lonely after about two hours of picking and stealing. All went well and everyone mostly went away happy ready to repeat it all again next Christmas

Club Awards Dinner

IPMS “Winter Wonderland” Awards Dinner on January 13th 2024 6 PM

Where:

Chompie’s, 3212 E Cactus Rd, Phoenix 85032 (on Cactus Rd, just West of I-51)

Price: \$30 per person (includes food, venue set-up, taxes AND gratuities) This is a discounted price. The club will comp the rest.

Menu: Buffet Style

(If you have any dietary restrictions or questions, please let Laurie Rice-Henthorn know.)

- Salad: Tossed field greens served with tomatoes, carrots and diced broccoli

- Main Dish: (chose one) NOTE: for a better count please indicate choice(s) on ticket
 - o Beef Brisket au jus
 - o Chicken Piccata

- Sides:
 - o Roasted Potatoes
 - o Rice Pilaf
 - o Glazed Carrots with Broccoli
 - o Roasted Veggies
 - o Rolls & butter

- Drinks: (including sugar, creamer, lemon)
 - o Iced Tea
 - o Lemonade
 - o Hot Coffee
 - o Iced Water

- Dessert:
 - o Chocolate cake with raspberry filling & chocolate mousse frosting

NOTE: Cash Bar in restaurant - Members and guests may pay per drink or set up a personal tab.

Please aim to be seated by 6 PM

2024 Club Contest Themes

JANUARY: No Contest

FEBRUARY: U.S. Armored vehicle; 1950 to present, any scale, alone or in a diorama.

MARCH: Any NON-U.S. aircraft used in WWII

APRIL: Any U.S. Coast Guard vessel of any year used in inland waters or open ocean.

MAY: Any artillery piece, ground or mounted (BUT NOT TANKS!) used in WWII or Korea from any country.

JUNE: Any NON-U.S. made automobile or truck produced AFTER 1950.

JULY: A Ship that has only primarily sails for movement. Can be an old Pirate ship !

AUGUST: Club Swap meet — NO CONTEST

SEPTEMBER: A totally 3-d printed figure, plane, vehicle or ship alone or as part of a diorama. Can be Sci-Fi or any genre.

OCTOBER: A helicopter from any country or time frame in any scale.

NOVEMBER: A 1/35 OR LARGER scale figure, bust or statue of a “famous” person. Can be a historical, scientist, musician, actor/actress, etc. Male or female that is easily recognizable by most people.

DECEMBER: NO CONTEST, Holiday White Elephant



EDITORS CORNER

BY LYN GORTON



Well here we are at the start of another year.
I hope you all had a great Christmas and Santa brought you some new kits.

As you know the new club committee have taken over the running of the club (officially its January 1st) and I am pleased to see the new president making use of the Corsair with a message on the front page.

Also on the front page you will find the Stop Press dates for this years Corsair—this is the date that any articles must be with me to make the months issue.

You can email me anything of interest to the membership—including local history as well as your own builds, (you know the ones you post on facebook) they deserve a space in your clubs news letter.

I can manage most formats but plain text and jpg for pictures works best. I can not extract anything from a PDF format so please bear that in mind when submitting articles.

As is fitting for the first issue of the year it falls to me to once again remind you that club dues are required (\$12 for individual and \$15 for family). The easiest way to pay is bring your dues and pay them directly to Bill Dunkle at the meetings. If you are not going to make the meetings before April email me and I will get Bill to contact you with details of how you can mail your dues to him.

If you are not sure if you are in Good standing through 2024 email me and I will tell you.

As per previous years I will send out some emails to remind you once again and I will send out a one off mail directly to those who are in danger of losing their good standing status as we approach the quarter year mark.

For those of you coming to the awards dinner on the 13th I have posted all the details on page 5 including the request that we all be seated by 6PM

I will continue to post issues of Dirty Plastic starting with the January 1973 issue which you will find on the following pages. I think it is interesting to see how we did things when the club was formed in the early 70's and the progress that was made then.

As always I welcome your comments and positive criticism's, just drop me an email



EDITORS CORNER

BY LYN GORTON



I Have had a few requests about our club online page.

Most of you will know that the website is undergoing some new reconstruction so things are a work in progress.

If you look at the webpage you will see 3 small horizontal lines top left as you look at the screen.

If you hit those it will open up a drop down menu and you can select from that.

Those of you who enquired about the displays from Modelzona—they are there but now under individual headings.

Also those of you that require back issues of The Corsair you can access them from the same menu.

Hope this proves useful to you all.



WHERE WE WERE

Dirty Plastic January 1973

NO. 21

JAN. 1973



dirty plastic

ARIZONA HISTORICAL MODELERS SOCIETY IPMS/PHOENIX
PIMA PAISANOS IPMS/TUCSON
2033 N. 11TH AVE. PHOENIX, ARIZONA 85007



IRANIAN H-43



HEINZ F. JACOBS



EDITOR - CHARLES K. KRAUSE JR. 2033 NORTH 11th AVENUE PHOENIX, ARIZONA 85007
TUCSON EDITOR - MICK ROTH TYPING & PRINTING - MARGARET BEARD COVER BY - HEINZ F. JACOBS

SUBSCRIPTIONS: \$ 3.00 /YR.

WHERE WE WERE

Dirty Plastic January 1973

Dirty Plastic is a joint publication of the ARIZONA HISTORICAL MODELLERS SOCIETY, IPMS/Phoenix and PIMA PIASAMOS, IPMS/Tucson. Subscriptions are \$3.00/year, 30¢ an issue. As this is issued for the benefit of Modellers it is not copyrighted, however when reusing any article or drawing acknowledgment is appreciated.

Advertising rates are \$15.00/page, \$10.00/1/2 page, \$7.50/1/4 page. (See Come On! Somebody Advertise.)

- EVENTS -

IPMS Phoenix

Social Wednesday, January 10, 7:30 PM
DeVry Institute of Technology
Highland & 24th Street

Business Wednesday, January 24, 7:30 PM
2033 N. 11th Ave.

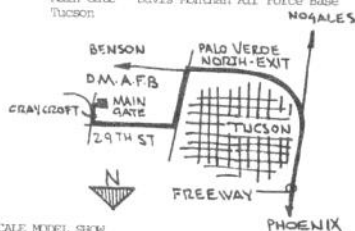
IPMS Tucson

P. O. Box 1363
Tucson, 85702

Weekly: 7:30 PM every Friday
Empire Machinery Co.
2801 S. 3rd Ave.

IPMS Tucson/Phoenix
Joint Meeting

Sunday, January 14, 10:00 AM
Main Gate - Davis Monthan Air Force Base
Tucson



SOUTHERN CALIFORNIA SCALE MODEL SHW

Saturday and Sunday, March 17 and 18, Griswold's Convention Center in Claremont, California. Inquiries can be addressed to Al Clemens, 4202 Ewart Street, Montclair, Ca., 91763 (714-983-2280)

THIS MONTH

CKK

While with the Air Force in Iran (Capt.) Bob Forrest prepared information on RH 43's, of which this issue is the first half. The three schemes are:

1. Flat Aluminum with Red Trim
2. White with Black Trim
3. Gloss Olive Drab with Red Trim

Bob showed several slides of these aircraft on his return and they are quite colorful and unique for what is normally a straight forward USAF marked Rescue Helicopter.

Bob seems to be enjoying his stay at Wright-Patterson, although at last report has yet to get over to the museum. Bob's address is 8327 Philadelphia Drive, Fairborn, Ohio 45324.

This month's color begins a series on interior mechanical colors (engines, landing gears and wells and "zinc chromate" type). There isn't really too much data available, Humbrol has an interior color set which I'll be using, and Bill Gebhard did an excellent listing of these colors in a 1970 IPMS magazine. Other than that I'll be screwing bits and pieces. Any contributions of information and data bits will be appreciated - as a matter of fact this series may be expanded to include bombs, etc.

It's only recently we've planned ahead for our issues so we'll give a glimpse into the future. Coming up very soon will be a two part series by Mick (The Phantom) Roth on what else but the F-4 Phantom. The first part involves cockpit layout, both Army and Navy, a very critical look at Revell's 32nd scale effort (?) plus some miscellaneous details. The month following will be some unique marking schemes, details and underwing weapons and electronic counter measures (ECM's) which will include an updating of last year's weapon's article. As Mick received a 1st at California and the IPMS Convention last year, and having seen his layouts this is for anyone anticipating superdetailing a Phantom.

HOW THE PLASTIC GOT DIRTY

CKK

Of all the questions that come in, probably the most prevalent is "I've heard of some weird names in my time but how or what in the business is Dirty Plastic?" Unfortunately, rather than romantic or exotic it's origins are prosaic. Initially, 21 issues ago, our first intent was to send out postcards giving meeting locations. That was too simple, why not add a little information, and gossip. i.e.: Dirt, after a few issues it started to grow and was too late to change - but at least you won't confuse us with anyone else.

Last month was a taste of what our next step will be. As our budget improves so will our size, at least as long as we have information worth printing.

Jim Duncan writes: "Talking with a Miami friend the other day and he reports that the next items in the Airfix 1/24 scale series will be the Hurricane, Stuka, and Mosquito. At the last named I decided that the kit would be \$12.00 and the freight charges \$57; then as someone said, glass in the front of your garage and displaying it"

Jim by the way did an excellent 2 part article on the "ingfisher", printed in the Phantom Flyer.

2

FROM RICHARD VAUGHAN, IPMS-NEVADA

Through the kindness of International Modeling Company we will be able to provide (on a limited basis) a great many difficult to obtain kits. A percentage of the proceeds will go to our chapter's treasury and we would sincerely appreciate any co-operation.

This offer is being made through IPMS Chapters only at this time. Later prices will be somewhat higher. Please include 50¢ for postage and handling.

Orders may go through our chapter address, 868 French Circle, Las Vegas, Nevada 89101, or direct to International Modeling at P. O. Box 12502, East Las Vegas, Nevada 89112. If you should send your order through International Modeling, please mention the "IPMS Nevada Offer."

Soviet State Factory	East Germany	Czechoslovakia (K&P)
T-34 (1/35) - - \$5.50	TU-114 - - - - \$6.00	L-29 - - - - \$1.35
KV-85 (1/30) - - \$6.50	TU-144 (SST) - - \$8.00	Avia B-534 - - \$1.35
Yak 3 (1/50) - - \$1.90	Yak 24 (1/100) - \$4.50	Il-10 - - - - \$1.50
Yak 18 (1/50) - - \$2.50	Mi 4 (1/72) - - \$1.50	Mig 19 - - - - \$1.50
Yak 25 (1/50) - - \$2.75		
Mig 21 (1/50) - - \$2.75		
	Poland (Rach)	
	TS-11 (1/72) - - \$1.35	
	PZL P-23 (1/72) - \$1.60	

From Behind The Iron Curtain

Brian R. Baker

I recently built the Ilyushin Il-10 Sturmovik attack bomber, and I must say the Czechoslovakians are coming along. The Avia B.534 was nice, as was the Delfin, but the Il-10 is better still. The decals, however, disintegrated upon contact, but the plastic work was excellent. The kit makes up into an impressive model, and comparing it with a photograph of the actual aircraft, it looks very accurate.

Incidentally, I have photos of two Soviet-built aircraft captured by our forces. One is a late model Yak-9, which was around Wright Field for a number of years after World War II. I have a photo coded T2-3002 (the tail code of the aircraft) taken probably during the late forties. I also have another photo of the fuselage sitting derelict behind another aircraft, a C-125, at Wright Field in the middle fifties.

Also, at least one Il-10 attack bomber was captured at Kimpo Field, Seoul Korea during MacArthur's drive north during, I believe, 1950 or 1951. One was brought back to the States during the conflict. Does anybody have information on either of these? We'll publish photos of these when the paper gets that sophisticated.

Those Morane Parasols

Heller, after several years of advanced publicity, has finally come out with the Morane MS-225 and MS-230. These appear to be excellent kits, with the MS-225 fighter being, in my opinion, the better of the two kits. In fact, the MS-225 is one of the nicest kits I have seen from Heller. Both kits build up into detailed parasol monoplanes, with provision for rigging, if one goes in for acupuncture. I chickened out, so mine are unrigged. The detail is excellent, with finely-done engine and cockpit interiors.

Heller still has a little to learn, though, as some struts are done so that the ends are free and the tree or spar attaches in the middle of the strut. This makes it necessary to trim and paint the struts twice, and from the engineering standpoint, it would seem to be relatively easy to attach the struts to the spar at one of the ends. This is a minor problem, however, and both kits are really first class, and make up into excellent replicas in 1/72 scale.

IPMS-MALLARI

CKK

IPMS-Finland,
Kansainvalinen Muovimallikerho r.y.
PB 798, 00101 Helsinki 10, Finland

Several months ago I reported the emergence of IPMS-Mallari, the IPMS Newsletter of Finland. Their fourth issue has arrived and if your the least bit interested in aircraft of small nations this is a must, particularly in the light of its minimal subscription fee, 6 issues for \$1.00, \$1.70 Air Mail. These prices are applicable for the first 6 issues, price rises to \$2.00 and \$3.40 for 7 - 12.

Each issue is 8 pages, photographs and drawings, and with Issue #3 a color chip of F.A.P. Field Green (a black olive drab). Concentrating on a particular aircraft, Issue #1 was a French F4U-4 and F.A.P. Vampire, #2 the TU-52 (Civilian and with floats), No. 3 the Curtiss Hawk 75 and No. 4 the DH, Beaver, Buffalo and Me-109.

English seems to be increasing and all drawings are described in English, with Finnish and English photo captions, and an English International Corner Column. In all a very well done magazine.

They also accept advertising, and for the benefit of any manufacturers and large hobby shops who might read this, IPMS-Mallari would not be a bad spot to place an advertising back. I suspect it would gain a different exposure and would certainly assist a unique and deserving publication.

SUPPORTING HOBBY SHOPS

- Phoenix Val's Hobby Hangar - 4840 N. 59th Ave., Phoenix, Arizona
Webster's Hobby Shop - 30 E. Camelback, Phoenix, Arizona
Wagon Wheel Hobbies - 4314 E. Thomas Rd., Phoenix, Arizona
- Tucson The Hobby Hut - 4578 Broadway, Tucson, Arizona 85711

In recent months several Hobby Shops have handled Dirty Plastic, Val's and Webster's, Tucson; The Hobby Hut and Tucson Train, Hori of New England was the first out of state, and now The Bridgier, 1335 S.W. 59th, Oklahoma City, Oklahoma. The increased revenue from these sources has been one of the reasons we've been able to expand and hold D/P to its new printing format of recent months. This assistance is appreciated.

CORRECTION:

On last month's HE 162A cockpit, items 33 and 36 on the right side should be reversed.

WHERE WE WERE

Dirty Plastic January 1973

iranian H-43's

researched from existing aircraft by **BOB FORREST**

drawn by **C.K. KRAUSE**

June 72

DIRTY PLASTIC - JAN. 73

DUE TO AVAILABILITY OF TRANSFER LETTERS LETTERING SHOW ON ALL 3 SCHEMES IS NOT COMPLETELY CORRECT:

LETTERING & NUMBERS ARE STD. U.S.A.I. STENCIL STYLE WITHOUT STENCIL BREAKS

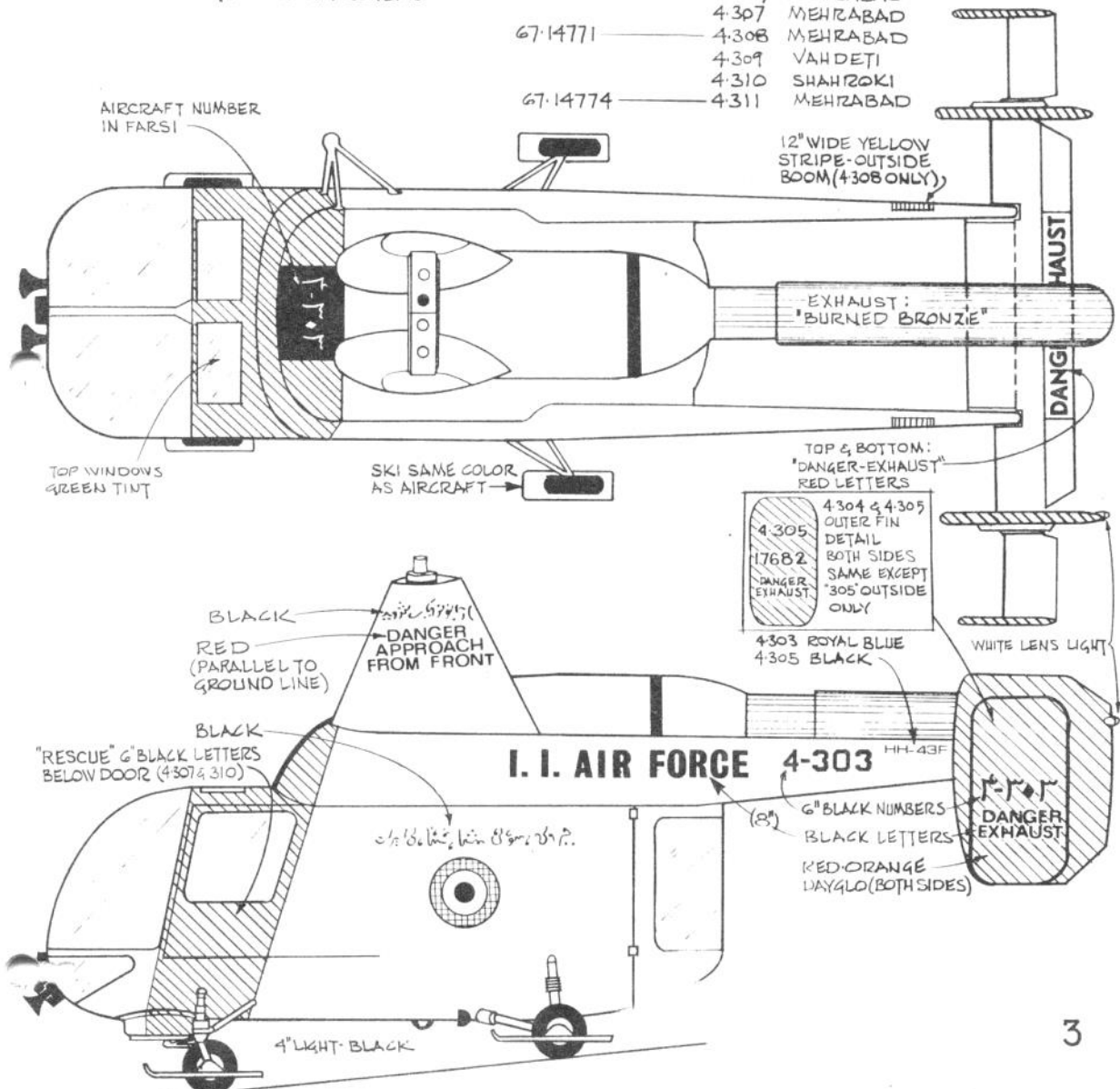
color scheme:

FLAT ALUMINUM

INTERIOR - SEE NOTES ON OD. SCHEME

SERIALS

usaf	iranian (BASED)
64-14213	4-303 MEHRABAD
14215	4-304 SHAHROKI
17682	4-305 MEHRABAD
	4-307 MEHRABAD
67-14771	4-308 MEHRABAD
	4-309 VAHDEJI
	4-310 SHAHROKI
67-14774	4-311 MEHRABAD



WHERE WE WERE

Dirty Plastic January 1973

iranian H-43's

researched from existing aircraft by **BOB FORREST**
drawn by **C.K. KRAUSE**

DIRTY PLASTIC - JAN 73

FARSI NUMBERS:

1 = ۱	6 = ۹
2 = ۲	7 = ۷
3 = ۳	8 = ۸
4 = ۴	9 = ۹
5 = ۵	0 = ۰

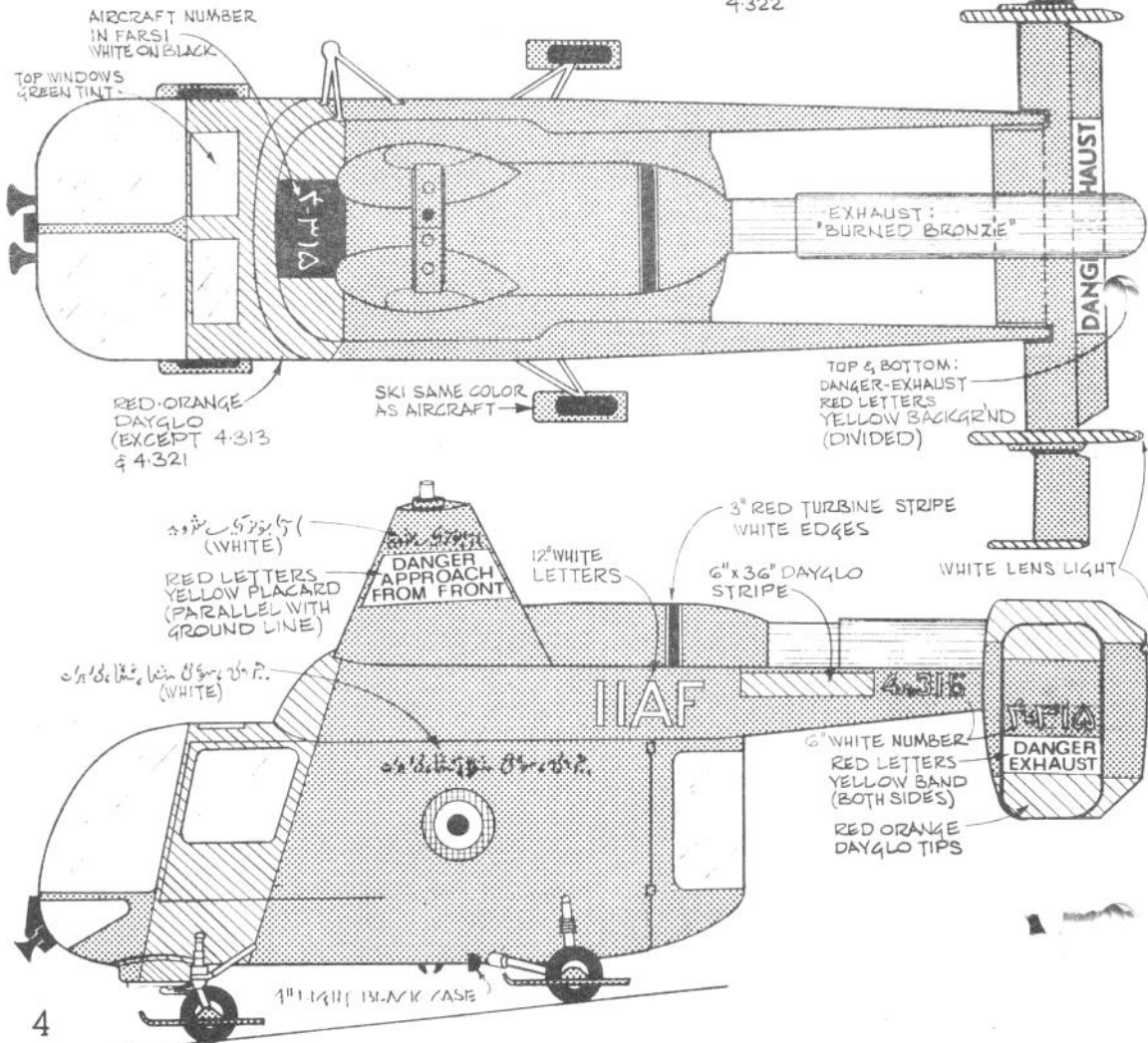
color scheme:

GLOSS OLIVE DRAB

INTERIOR: TYPICAL USAF
SILVER-GREY QUILTED PADDING,
NO ZINC CHROMATE EXCEPT WHEN
PARTS REMOVED OR AT NEAR'S
OF HEAVY WEAR - TYPICAL ALL SCHEMES

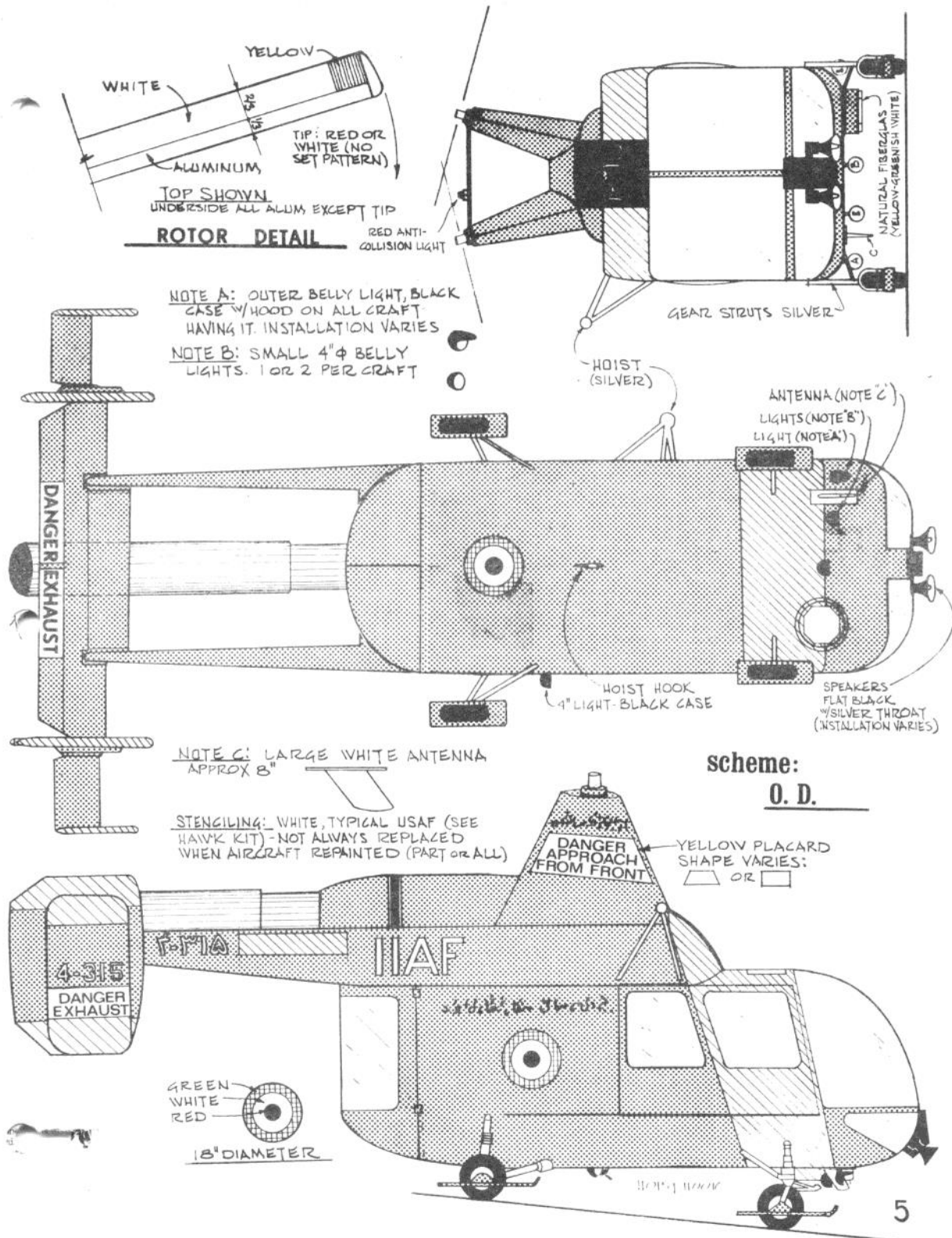
SERIALS

usaf	iranian (BASED)
65-10647	4-313 MEHRABAD
	4-314 BUSHEHR
	4-315 BUSHEHR
	4-317 SHIRAZ
	4-318 SHIRAZ
65-10649	4-319 MEHRABAD
65-10651	4-320 VAHDEI
65-10655	4-321 MEHRABAD
	4-322



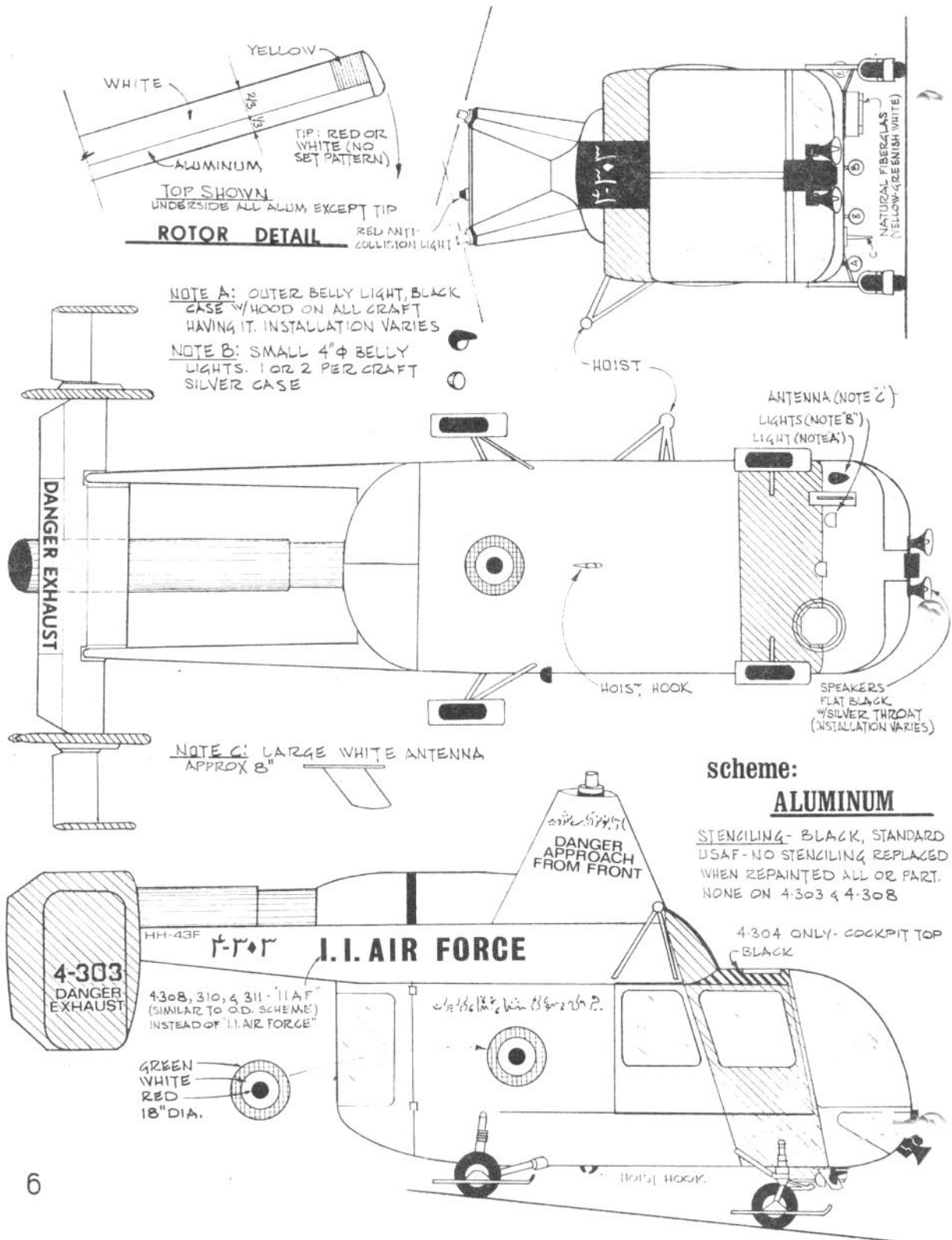
WHERE WE WERE

Dirty Plastic January 1973



WHERE WE WERE

Dirty Plastic January 1973



WHERE WE WERE

Dirty Plastic January 1973

PAINT SPOTS

Zinc Chromate, USAF, Zinc Chromate, USAF, Zinc Chromate, USAF, Zinc Chromate, USAF

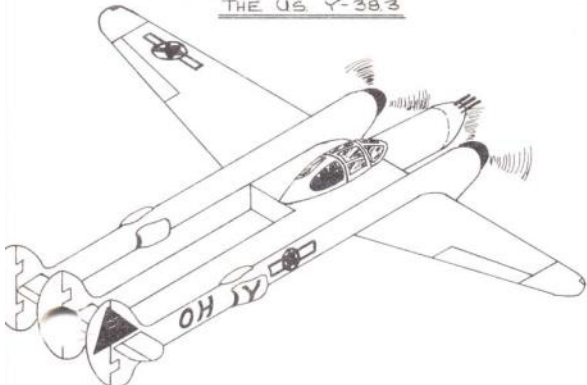
Approximate Floquil Mix:



- CGK
- 5 - F-32 Chartreuse (Flo-Paque)
 - *3 - RR-31 Yellow
 - 1 - RR-11 White
 - * This is slightly too brown as Floquil's Beefer Yellow is slightly orange - sure wish Floquil would come out with a Lemon type Yellow.
 - 5 - RR-44 Depot Olive
 - 2 - RR-31 Yellow
 - 1 - RR-10 Black

Next month I'll show you the uselessness of running color chips. By the time I'm finished you'll have 3 chips of what is supposed to be the same color (I think): FS595 34151. At least these are matched to chips taken from areas that should be Zinc Chromate. For that matter not only were they taken from the same plane but both from the same landing gear door! Admittedly it was a big door (004, the B-52 Weather Ship for the F-15). This aircraft was maintained well and basically what happened was any wear or damage was promptly repainted - with a different batch. This is a typical on most USAF aircraft I've seen so the lesson it tells the modeller is don't paint your colors flat one shade. Between sun, staining, and repainting whatever color your painting is going to be at least several different shades, which I've found gives a lot of character to the model. A word of caution: Do it gentle, you see these colors only about a foot from you. Move back a scale distance, say 5 or 10 feet and there isn't as much difference.

THE US Y-383

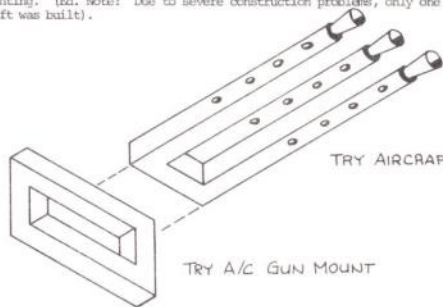


TOP SECRET U.S.A.F. PLANS REVEALED!

Heinz Jacobs

Last month's article on the BF-109K-6 prompted the U.S.A.F. to also release drawings of their answer to Germany's terror weapon. Exclusive rights have been given to D/P for publishing of the previously Top Secret Plans of the Y 38.3 Txytailed Fighter, which was responsible in forcing down Staff-Major Fliegerpanzer's BF-109K-6 near Paris.

A spokesman for the U.S.A.F. said "That the plans were released due to public pressure as to why the U.S. did not have any aircraft to combat Germany's Super Weapons". We were also told, that the Spitfires P.R. IX's only flew escort duty, being P.R. IX's they did not take any part in fighting. (Ed. Note: Due to severe construction problems, only one aircraft was built).



TRY AIRCRAFT GUN

TRY A/C GUN MOUNT

MICRO GLOP

CGK

Krasel Industries are noted for Micro-Scale decals, and more recently related chemicals and modelling finishes. Been turning out some good things. Most recently they've introduced Micro Quick Silver Plastic Model Putty. They also goofed!

We can't do it over anything of value. The solvent isn't mild, resulting in a tube with a bad case of diarrhea. Being water-soluble, it can only go on in thin layers and dries too fast to mold. It also eats hell out of plastic so only put it where you want it or you'll be putting filler where it was.

Rather than continue lets just say it needs further development, and I hope they do. With the quality normally associated with the Micro name they may just come out with what we really need, a fine textured putty easily moldable, and although not the fastest drying, takes a good finish.

Marburo Books, Dept. 210
204 Moonachie Road
Moonachie, N. J. 07074

Minimum order \$5.00 plus 75¢ postage and handling per order.

For those not familiar with Marburo, I've purchased books from them for a number of years and always been satisfied. A first order seems to take about 3 - 4 weeks, but I've had orders come in less than two weeks. Once you're on their mailing list they send a 12 - 16 page tabloid flier every 4 - 6 weeks, and many times with excellent mark-down prices.

They also advertise a 10 day return guarantee (with proof of purchase) either for credit or refund.

7743. WW 1 - THE CANVAS FALCONS. By Stephen Longstreet. Marvelous story of the aces, daredevils and heroes of WW 1, the men who trusted in canvas, who lived to fly: Red Baron, Sikorsky, Rickerhacker, all the others in the day when pilot was synonymous with fool! Illus. Pub. at \$7.95 Only \$1.98

7872. ZANEKI - A Chronicle of the Israeli Air Force. By Wm. Stevenson. Traces of the full development of the Air Force since 1948, its revolutionary aerial strategy and tactics, and the men and women who make it "Scramble". Pub. at \$8.50 Special \$1.00

8051. THE UNITED STATES MARINE CORPS IN WORLD WAR II. Ed. by S. E. Smith. Superb one-volume history, from Wake to Tsingtao, by the men who fought in the Pacific, and by distinguished Marine experts and newsmen, Incl. MacArthur, Nimitz, Howlin' Mad Smith, Hanson Belkin, John Toland, Ernie Ply, John Hersey, and many others. 965 pp; 140 Photos. Pub. at \$17.95 Only \$7.49

8089. AIRCRAFT: The Story of Powered Flight. By Young & Shepard. The picture story of flying machines from Da Vinci and Kitty Hawk to today's ultra-sophisticated craft. 200 Illus, Over 100 Full Color. Special \$3.98

8133. THE NAVAL ANNUAL 1913. Ed. by Viscount Hythe. Comprehensive reviews of the progress and policy of the major navies of the world on the eve of WW 1, with insight into pre-war planning when ships & armament were sharply increasing in size & power, plus full details of individual ships of the naval powers, in tabular form. 520 pp; Illus; Library Edition. Pub. at \$12.50 Only \$5.98

8138. JANE'S FIGHTING SHIPS 1905-6. Ed. by F. T. Jane. Reprint of the famous Jane's annual which surveyed the combatants in the Russo-Japanese War, with photos showing ships destroyed and extend of damage to others, plus full info on world navies of the time. Over 1,100 Illus; Library Binding; 12 3/8" x 8 1/2". Pub. at \$19.95 Only \$9.88

8142. JANE'S FIGHTING SHIPS 1906-7. Ed. by F. T. Jane. Special reprint for collectors' reference; classic review of the world's navies, with pictures, dimensions, tonnages, armament, plus dramatic close-up on actions in the Russo-Japanese War. Over 1,300 Illus; 12 3/8" x 8 1/2". Pub. at \$19.95 Only \$9.88

8193. JENNY WAS NO LADY: The Story of the JN-4D. By J. R. Lincke. Marvelous and informal history of aerodynamics in its diaper stage, and of America's more than 8,000 Jennys, the cantankerous, unpredictable hybrid biplane produced during WW 1. 110 Illus. Pub. at \$7.94 Only \$1.98

8506. CONTACT! The story of the Early Birds from Kitty Hawk to WW I by H. S. Willard. Fascinating anecdotal account of the first years of the miracle of flight: The Pioneer Flyers, their "Bits of stick and string" and arial development in America and Europe. 128 Photos, many quite rare, 7 3/4" x 10 1/4". Pub. at \$10.00 Only \$4.98

8521. MIDWAY: Turning point of the Pacific. By Wm. Ward Smith, Vice Admiral, U.S. Navy Ret. Vivid account of the decisive four day long battle of Midway which turned the tide of Japanese conquest with Pacific Theater Developments from Pearl Harbor to Coral Sea and Midway. 30 Illus. Pub. at \$4.95 Only \$1.98

8996. BRITISH AVIATION: The Great War & Armistice. By H. Penrose. Dramatic story of WW 1 England's aviation pioneers and their leap to mass production despite devastating politics; describes design & development of some of the world's best known aircraft, engine development, postwar steps into civil aviation. Profusely Illus. Pub. at \$17.50 Only \$7.88

8765. VETERAN & VINTAGE AIRCRAFT. Ed. by L. Hunt; 3rd Revised Expanded Edition. Tells where over 5000 of the world's oldest, rarest & most interesting aircraft & other flying machines are preserved today, what they look like, and who owns them - from Wright Bros. & Bleriot craft to Pukkers, Camels, craft of WW II & later. Over 700 Photos. Pub. at \$7.95 Only \$3.98

8685. Peter Townsend's DUEL OF EAGLES. Monumental swiftly-paced history of the uncertain births, faltering adolescence and brutal coming of age of two rival air forces - the RAF & the Luftwaffe. 27 Photos. Pub. at \$9.95 Only \$3.98

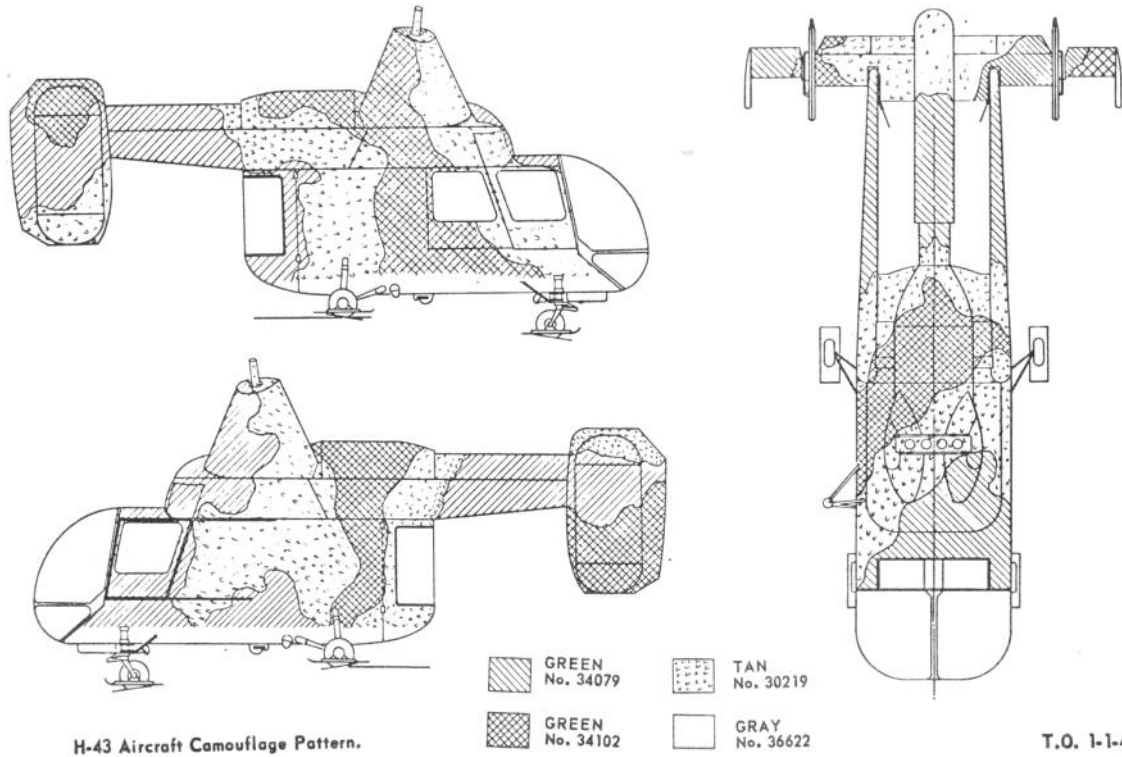
6001. VICKERS AIRCRAFT since 1908. By C. F. Andrews. Full, detailed story of the Vickers aircraft from the famous Ghibus & Vimy through well-known & little-known between wars designs through the Wellington, Viking, Viscount, Vanguard, VC10 & the RAF's first 4-jet bomber, the Valiant. Photos & 3-view Drawings. Pub. at \$17.50 Only \$5.88

5999. SOVIET TRANSPORT AIRCRAFT since 1945. By J. Stroud. Describes in detail the 40 types of Soviet transport planes & helicopters produced since 1945, their design history, layout, structural characteristics & service life. 276 Photos & 30 3-view Drawings. Pub. \$12.50 Only \$5.88

5997. THE GERMAN GLANTS: The German R-Planes, 1914-1918. By Haddock & Gross. Type-by-type description of all of Germany's WW1 giant bombers, largest planes to bomb England in either war, with the complete story of their development & service history. 213 Photos. 30 Drawings & 38 3-view Drawings; 8 3/4" x 11 1/4". Pub. at \$17.50 Only \$7.88

WHERE WE WERE

Dirty Plastic January 1973



Address Correction Requested



This is the number of your
LAST ISSUE - - - -



dirty plastic

ARIZONA HISTORICAL MODELERS SOCIETY IPMS/Phoenix
 PIMA PAISANOS IPMS/Tucson

2033 N. 11th Ave. Phoenix, Arizona 85007

FIRST CLASS

Membership

For only \$1 a month you get all of this

- . Monthly club newsletter**
- . Discounted club T-shirts**
- . Modelzona**
- . Monthly Raffle Prizes**
- . Monthly contest awards**
- . Annual club Awards party**
- . And more**

Remember that you have to be a member **in good standing to enter and win competitions, get a copy of the monthly newsletter sent directly to your email, and vote for anything that the club brings to the table.**

So Make sure to see Treasurer, “Bill Dunkle”, at the club meeting to sign up for membership

2024 CLUB MEETING CALENDAR

All meetings held at American Legion Post #1, 364 N. 7th Ave., Phoenix, AZ 85003

JANUARY 2024

Tuesday 2nd 7pm
Seminar/Speaker: Uncommon but
useful tools—Kevin Henthorn

JULY 2024

Tuesday 2nd, 7pm
Seminar/Speaker:

FEBRUARY 2024

Tuesday 6th 7pm
Seminar/Speaker:

AUGUST 2024

Tuesday 6th 7pm
Event : **Club Swapmeet**

MARCH 2024

Tuesday 5th, 7pm
Seminar/Speaker:

SEPTEMBER 2024

Tuesday 3rd, 7pm
Seminar/Speaker:

APRIL 2024

Tuesday 2nd 7pm
Seminar/Speaker:

OCTOBER 2024

Tuesday 1st, 7pm
Seminar/Speaker:

MAY 2024

Tuesday 7th, 7pm
Seminar/Speaker:

NOVEMBER 2024

Tuesday 4th 7pm
Seminar/Speaker:

JUNE 2024

Tuesday 3rd 7pm
Seminar/Speaker:

DECEMBER 2024

Tuesday 3rd, 7pm
Event: **White Elephant**

January Raffle

Tickets are \$1 or six for \$5.



- Item A: 1/350 Tamiya, Prince of Wales British Battleship
- Item B: 1/25 AMT, Bill Elliot Ford Thunderbird
- Item C: 1/72 Tamiya, Henschel HS-129 B-2
- Item D: 1/144 Bandai, Gundam "Iron-Blooded Orphans"
- Item E: 1/35 Tamiya, Panzer PzKpfw II Ausf. F/G
- Item F: 1/48 Revell, F/A-18E Super Hornet
- Item G: New Item from Hobby Depot:
1/35 Meng, T-72B3M w/ Mine Clearing System



UPCOMING EVENTS

January 13th—Club Awards Dinner
 November 2nd –Modelzona

IPMS Phoenix / Craig Hewitt Chapter

The club meets at 7pm on the first Tuesday of each month at the American Legion Post #1 in Phoenix. Check the club website at www.ipms-phoenix.com for more meeting info.

American Legion Post #1
 364 N. 7th Ave.
 Phoenix, AZ 85003

The post is located South of I-10 just a few blocks North of Van Buren. Look for the huge American flag.

2024 Chapter Officers

- President..... Kevin Henthorn.....<http://www.ipms-phoenix.com/>
- Vice President..... Scott Reigel.....<http://www.ipms-phoenix.com/>
- Secretary John Carroll<http://www.ipms-phoenix.com/>
- Treasurer Bill Dunkle.....<http://www.ipms-phoenix.com/>
- Member At Large.....Hal Sanguinetti.....<http://www.ipms-phoenix.com/>
- Membership Chair.....Lyn Gorton.....<http://www.ipms-phoenix.com/>
- Webmaster..... Michael Ronnau<http://www.ipms-phoenix.com/>
- Newsletter Editor Lyn Gortonlyngorton@hotmail.com

Useful Links

Bjorn Jacobsen—Aircraft Dioramas	www.dioramas-and-models.com
Plasmo—good visual instructions on “You Tube”	just search for plasmo
Trumpeter replacement parts	Joanna@trumpeter-china.com
Special Hobby	www.specialhobby.Ev/contact
Tamiya—US	support@Tamiya.com
MRCsupport@modelrectifier.com	
Rivet detail and schematic drawings	www.airwar.ru
Fine Scale modeling techniques	http://paulbudzik.com
“How to “Videos	Youtube.com/Andyshobbyheadquarters
Online magazine for all things avionic	www.wingleadermagazine.co.uk
Sky Harbor Informational site	http://www.visitingphx.com/index.html
Military Colors And Camouflage	http://www.theworldwars.net/resources/
Info on Aircraft Tyres	https://www.jupitor.co.jp/pdf/michelin_aircraft.pdf
Spare parts for Airfix	support.airfix.com/hc/en-gb/articles/360019394159-Spare-Parts
Video tour of USAF Museum in Ohio	https://aerodynamicmedia.com/usaf-museum-storage-video/
New digital magazine	www.phoenixscalepublications.co.uk
Swiss page covering aviation.	
Wide range of military subjects, airshows, color profiles, etc.	WINGS-AVIATION , www.wings-aviation.ch .
WW2 Video reference Site –Lots of Documentary DVD	www.victoryfilms.us

If you have a good reference site let me have a brief description and a web address and we will keep this list as a reference.

Join the IPMS/USA!

\$30 annual membership includes a one year subscription to the IPMS Journal. Visit www.ipmsusa.org to download a membership form. Or you can write to:



IPMS/USA PO Box 1411
Riverview,
FL 33568-1411

Membership also gives you access to the online Discussion Forum, where you can exchange ideas and information with other members of IPMS.



CONTENT NEEDED!!!!

The Corsair needs your help! To keep this newsletter filled with all the great content, I need your help with content. Here are some useful items that I can use to put together future issues each month:

- Kit reviews/In-box reviews
- Website links
- Modeling related articles
- Commentary and featured columns
- Neat, strange or otherwise shareable pictures
- Book reviews
- Trip and vacation write-ups

Anything you have can be used. Don't hesitate. Even a few paragraphs are great.




SUPPORT YOUR LOCAL HOBBY SHOP!



RIGHT STUFF, RIGHT PRICE

www.thehobbydepot.com

109 E.Southern Ave.
Tempe, AZ 85282



KEITH PEIPER, MANAGER


(480) 994-2263
AVALON_WAR_BOOKS@YAHOO.COM

WE BUY COLLECTIONS



Michael Ronnau
cactus_rhino@cox.net

Rhino's Hobby Tools & More



Space modeling reference books
by Mike Mackowski.

www.spaceinminiature.com

www.airline-hobby.com

Your One Stop Source for
Scale Model Airliner Kits, Decals,
Diecasts and Accessories



THE MAD MEATBALL

MIKE CHOLEWA 602-944-4096


"DEALER IN PRE-OWNED PLASTIC"

12629 NORTH 21ST DRIVE PHOENIX, AZ 85029


HOBBY BENCH

2 Great Locations!

8058 N. 19th Ave. NW corner 19th Ave. & Northern 602-995-1755	4240 W. Bell Rd. NE corner 43rd Ave. & Bell 602-547-1828
--	---



ANDY'S HOBBY HEADQUARTERS



15224 N. 59th Avenue, Suite 12
Glendale, AZ, 85306
tel. (602) 439-1456



Scott Cohen
Marketing, Finance, Product Development,
Supply Chain, Inventory & QC/QA

Post Office Box 74524
Phoenix, AZ, 85087-4524
tru.colorpaint1@yahoo.com

Tru-Color Paint
Model Railroad, Automobile,
and Building Paint

Sales: (714) 488-9779
Info: (623) 551-2548
www.trucolorpaint.com

SUPPORT YOUR LOCAL HOBBY SHOP!



GRAND PRIX REPRODUCTIONS

JEFF ALDERMAN

MASTER MODELER

jeff@grandprixreproductions.com

(623) 385-9060



WWW.GRANDPRIXREPRODUCTIONS.COM