



Vault Style SF₆ Insulated Switching Solutions

Providing load and fault interrupting switching for systems rated through 38kV, 900A continuous, to 25kA symmetrical interrupting



- Smart Grid/Lazer® Solutions
- Submersible designs
- Dead-front designs
- Compact construction
- Maintenance-free operation
- Two and three position switching
- Mounting flexibility
- Ease of Automation

G&W Engineered to order. Built to last.

iTepeyac
The Smart Grid for the Smart City
www.itepeyac.com

Catalog S-sf6vault

General Features

Since 1905, G&W has provided custom power solutions to utilities and electric power users around the world. G&W has a wide selection of reliable, quality switching and fault interrupting products to meet the most stringent customer requirements. Whether the application involves load switching, line sectionalizing, fault interruption or Smart Grid automation, G&W can provide a solution for distribution system switching and protection. When specifying switchgear, consider these features:

MAXIMUM OPERATOR SAFETY

SF₆ gas is a nontoxic, nonflammable switching dielectric. Dead front switch construction eliminates any exposed live parts. Spring-assisted mechanisms assure quick-make, quick-break operation. Viewing windows permit visual verification of open or closed contacts. Tamper-resistant enclosures utilize pentahead bolts and padlocking provisions. Motor actuators are available permitting remote operation. The result is maximum operator safety.

MINIMAL MAINTENANCE

G&W SF₆ switches are corrosion-resistant, totally sealed and factory filled. No more field adjustments of critical contact areas or concerns with environmental contamination or intrusions. A periodic check of the pressure gauge is all that is required.

APPLICATION VERSATILITY

Multi-way Configurations — Switches are available for either two-position or three-position (incorporating an integral ground, tie or test position) switching. Single or multiple sources can feed multiple loads. Bus tie configurations are available permitting multiple sources to feed different loads within the same switch.

Mounting Flexibility — Horizontal and vertical configurations are available with operating apparatus accessible from the front, top or side compartments.

Bushing Variety — Many bushing styles are available including an exclusive disconnectable style permitting field changeout. Cable entry can be bottom, front, back or side. Transformer throat designs are available.

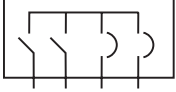
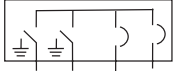
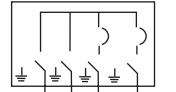
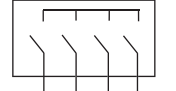
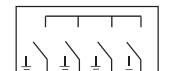
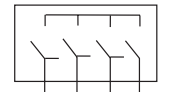
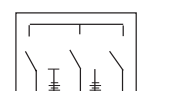
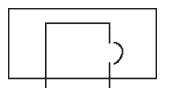

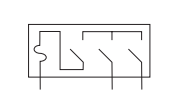
Visible Break — Load break switches can incorporate a visible break of all three phases.

Overcurrent Protection — Fusing or electronically controlled, resettable vacuum interrupters are available.

Smart Grid / Lazer Solutions — Complete distribution automation and Smart Grid solutions are available including automatic transfer. G&W's Lazer distribution automation systems provide pre-engineered, time-proven solutions for automatic power restoration.



Table of Contents

Typical One-Line Diagram	Application	G&W Switch Style	Page
	Load break switching and fault interrupting	VRPFI - most compact footprint VLPFI - superior switch contact viewing VPNI - 38kV and high interrupting ratings VPVI - available with 1-phase tripping	5 6 7 8
	Load break switch with integral ground and fault interrupting	VTFI - Triad Series 1 with 3-phase tripping VTVI - Triad Series 1 with 1-phase tripping	13 14
	Load break with integral ground and fault interrupting with integral ground	VTNI - Triad Series 2	16
	Load break switching only	RAM - flexible bushing and switch operator orientation SRAM - flexible bushings and switch operator orientation with spread bushings RPR, RPL, RPRM - round tank designs	18 18 20
	Load break with integral ground	GRAM - flexible bushings and switch operator orientation	21
	Load break switching with cable test position	TRAM - front operators and bottom bushings	22
	Transfer and switch load break switching	RAD, RAJ - sources cannot be paralleled RAC, RAL - sources can be paralleled	23 23
	Fault interrupting only	VPFI - with 3-phase tripping VI/VPVI - with 1-phase tripping VPNI - 38kV and high interrupting applications	24 24 24
	Load break switching with current limiting fuses. Round tank designs	FRPR, FFRPR, FRPRL	25
	Load break switching with current limiting fuses. Rectangular tank designs	FRAM, FGRAM, FFRAD - to 40A FFRAM, FFGRAM - to 80A	27 27

Contact Principles	pages 28-33
Automation	pages 34-35
Accessories / Options.....	pages 36-42

Load and Fault Interrupting Switches

PUFFER VACUUM INTERRUPTERS

G&W load and fault interrupting combination switches combine the total cost and operating benefits of fuseless, electronically controlled, resettable overcurrent protection with the safety and maintenance benefits of a totally sealed, deadfront, SF₆ insulated device. The switches are designed for automatic single or three phase fault interruption with manual load break capabilities for systems through 35kV, 630A continuous. Ratings to 900A continuous are available on certain models. Single side access designs are available for confined space applications.

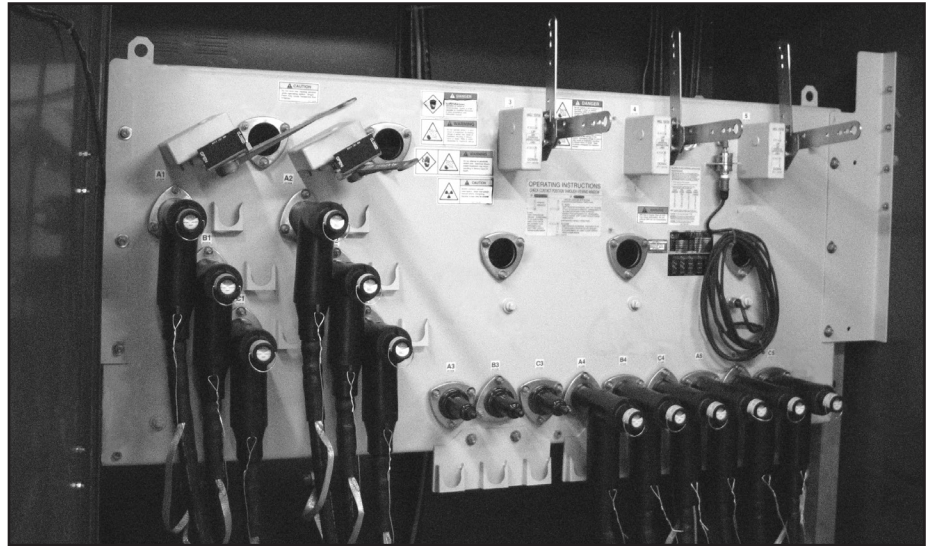
FEATURES

Operator Safety — G&W combination switches are totally sealed, dead front and insulated with non-flammable, nontoxic SF₆ gas. Operators are spring assisted for positive quick-make, quick-break operation. A trip-free mechanism permits interruption independent of the operating handle if closing into a fault. Viewing windows permit visible indication of interrupter contact position.

Minimal Maintenance — No more routine inspections or dielectric testing as with oil gear. No more contact contamination, rodent problems or insulator maintenance as with air gear. A periodic check of the gas pressure gauge is all that is required.

Three Phase Tripping — No more single phasing problems. Simultaneous three phase tripping is available through the electronics and with three phase operating handles for manual operation and reset.

Protection Curve Compatibility — G&W solid state electronic controls permit extremely accurate, consistent protection curve characteristics compared to conventional fuses. The exclusive controls can emulate the most common time current



▲ VPNI single side access switch.

curves (TCC) for power fuses, relays and fuse links (oil fuse cutouts). Optional electronic packages can provide ground trip, inrush restraint and adjustable time delay capability.

Fully Tested — Switches are designed and tested per applicable sections of IEEE C37.71, C37.60, C37.74 and IEC 265 standards.

APPLICATIONS

G&W combination switches provide a direct replacement for power fused air and vacuum-in-oil switchgear. Some ideal applications include:

Transformer and Motor Protection — The three phase trip feature and high continuous current capability make PVIs ideal for protecting three phase motors and transformers.

Loop and Tap Switching — Full 630A and optional 900A loop switching is accomplished using the latest puffer technology. Tap switching through 630A and up to 25kA symmetric fault protection is accomplished using resettable, electronically controlled vacuum interrupters. The vacuum interrupters also function as load break switches.

Automatic Transfer — For critical load applications, switches can be supplied with an automatic transfer control package to provide automatic transfer from one source to another to minimize downtime.

Smart Grid / Lazer Solutions — Switches can be supplied with motor actuators on both the line and load side providing remote control capability. Various control packages including portable controls are available.

For Smart Grid applications, G&W works with the top control manufacturers of the industry, including Schweitzer and GE, to match the right control for the job. For automatic power restoration, G&W's Lazer solution provides a pre-engineered, field proven system which can be preassembled and factory tested prior to shipment.

Metalclad Switchgear Replacement — Front access designs can provide up to a 900A rated main bus with up to six 25kA symmetric protected load ways for a compact, economical alternative to metalclad and metal enclosed line-ups. All switches can be equipped with SEL relays, providing flexibility, as well as complete remote monitoring and control capabilities.

Load and Fault Interrupting Switches

Two Position, Front Access Puffer Vacuum Interrupters

Rotary Puffer (VRPFI)

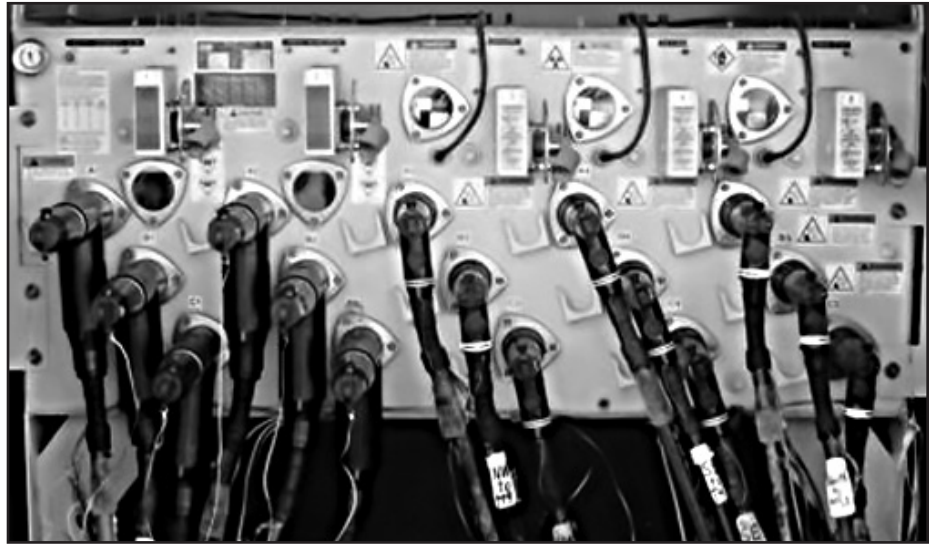
Diagonal bushing configurations.
Provides smallest footprint with three
phase fault interrupting.

Load break (RP) switch ratings

Maximum design voltage		
kV	15.5	27
Voltage class,		
kV	15	25
Impulse level (BIL)		
kV	110	125
One minute withstand,		
AC kV	35	60
One minute withstand,		
Production test rating		
AC kV	34	40
15 minute withstand,		
DC kV	53	78
Continuous and load break current,		
Amps	630	630
Momentary current,		
kA asym	25.6	20
Fault-close current, (3 times)		
kA asym	25.6	20
One second current,		
kA sym	16	12.5
Operations load interrupting		
endurance (15kV)		
at 600A.....	500	350
Mechanical endurance,		
operations	2000	2000

Fault interrupter (FI) ratings

Maximum design voltage		
kV	15.5.....	27
Voltage class,		
kV	15.....	25
Impulse level (BIL),		
kV	110.....	125
One minute withstand,		
AC kV	50.....	60
One minute withstand,		
Production test rating		
AC kV	34.....	40
15 minute withstand,		
DC kV	53.....	78
Continuous and load break current,		
Amps	630.....	630
Symmetrical interrupting rating,		
kA	12.5.....	12.5



▲ Model VRPFI52

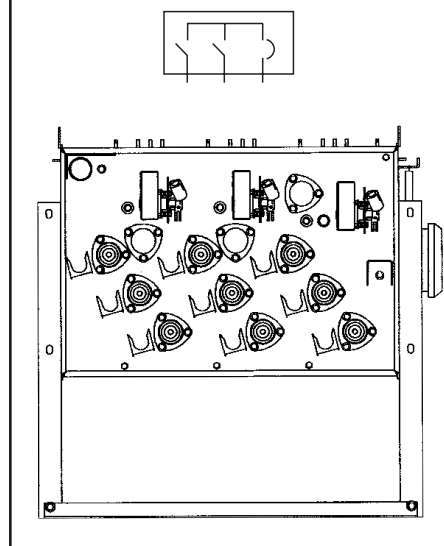
IEEE C37.60

Fault Interrupting Duty

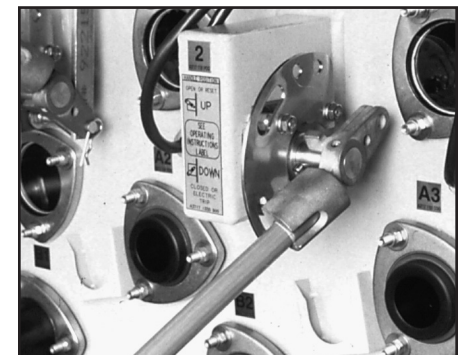
Total number of fault interruptions: 116

Percent of Maximum Interrupting Rating	Approx. Interrupting Current, Amps	No. of Fault Interruptions
15-20%	2,000	44
45-55%	6,000	56
90-100%	12,500	16

Manually operated VRPFI-6F shown.



▲ Load break operating handle.



▲ Fault interrupter operating handle.



▲ Fault interrupter position indicator.

Load and Fault Interrupting Switches

TWO POSITION, FRONT ACCESS, PUFFER VACUUM INTERRUPTERS

CONTINUED

LINEAR PUFFER (VLPIFI)

Provides load break switch with visible break and three phase fault interrupting.

Load break switch (LP) ratings

Maximum design voltage,
kV 15.5 27 38

Voltage class,
kV 15 25 35

Impulse level (BIL),
kV 110 125 150

One minute withstand,
AC kV 35 60 70

One minute withstand,
Production test rating
AC kV 34 40 50

15 minute withstand,
DC kV 53 78 103

Continuous and load break current,
Amps 630 630 630

Momentary current,
kA asym 40 40 40

Fault-close current, (3 times)
kA asym 40 40 40

One second current,
kA sym 25 25 25

Open gap withstand,
kV 200 200 200

10 operation overload interrupting
capability,
Amps 3000 .. 3000 3000

Operations load interrupting
at 600A 1200 .. 1200 ... 1200

Mechanical endurance,
operations 2000 .. 2000 ... 2000

Fault interrupter (FI) ratings

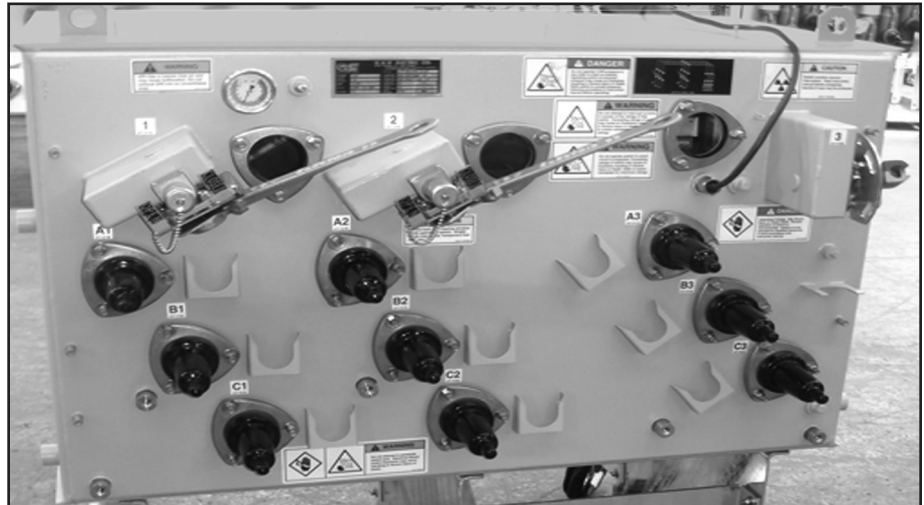
Maximum design voltage,
kV 15.5 27

Voltage class,
kV 15 25

Impulse level (BIL),
kV 110 125

One minute withstand,
AC kV 50 60

One minute withstand,
Production test rating
AC kV 34 40



▲ Model VLPIFI32

15 minute withstand,
DC kV 53 78

Continuous and load break current,
Amps 630 630

Symmetrical interrupting rating,
kA 12.5 12.5

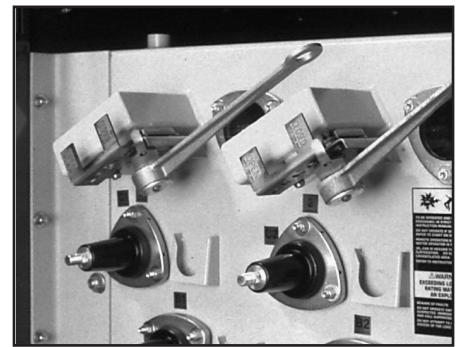
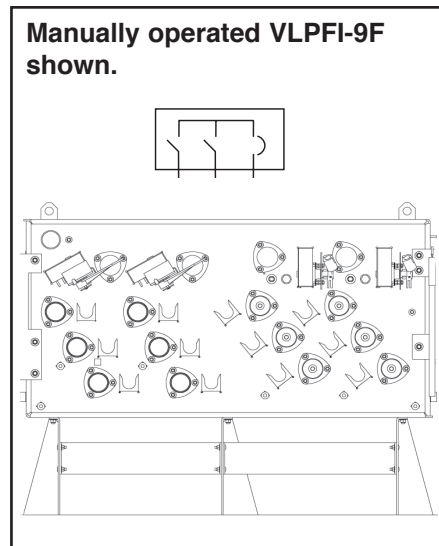
IEEE C37.60

Fault Interrupting Duty

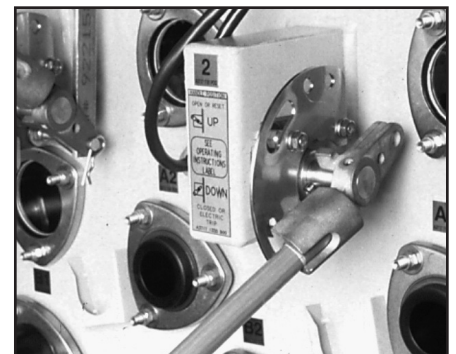
Total number of fault interruptions: 116

Percent of Maximum Interrupting Rating	Approx. Interrupting Current, Amps	No. of Fault Interruptions
15-20%	2,000	44
45-55%	6,000	56
90-100%	12,500	16

Manually operated VLPIFI-9F shown.



▲ Hookstick operable load break handle.



▲ Fault interrupter operating handle.



▲ Load break switch visible break.

Load and Fault Interrupting Switches

TWO POSITION, FRONT ACCESS, PUFFER VACUUM INTERRUPTERS

CONTINUED

LINEAR PUFFER (VPNI)

Provides load break switch visible break with 25kA symmetrical three phase interrupting

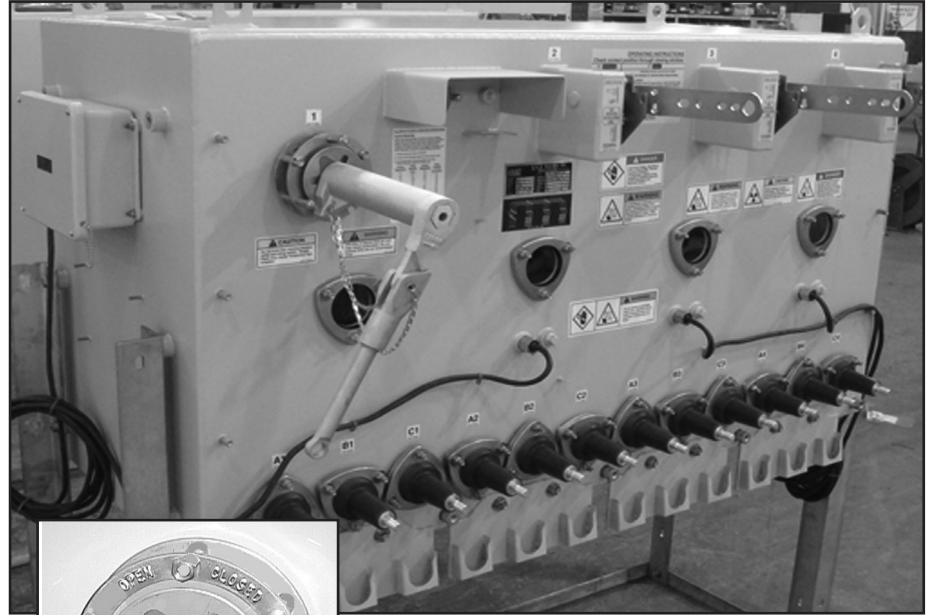
Load break switch (LP) ratings

Maximum design voltage,	kV	15.5..... 27.....	38	
Voltage class,	kV	15..... 25.....	35	
Impulse level (BIL),	kV	110..... 125.....	150	
One minute withstand,	AC kV	35..... 60.....	70	
One minute withstand,	Production test rating	AC kV	34..... 40.....	50
15 minute withstand,	DC kV	53..... 78.....	103	
Continuous and load break current,	Amps*	630..... 630.....	630	
Momentary current,	kA asym	40..... 40.....	40	
Fault-close current, (3 times)	kA asym	40..... 40.....	40	
One second current,	kA sym	25..... 25.....	25	
Open gap withstand,	kV	200..... 200.....	200	
10 operation overload interrupting capability,	Amps	3000.. 3000.....	3000	
Operations load interrupting at 600A.....	1200.. 1200.....	1200		
Mechanical endurance, operations	2000.. 2000.....	2000		

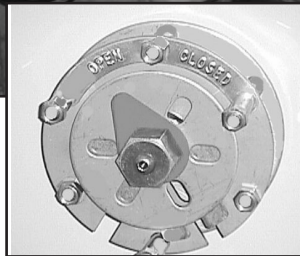
*900A continuous available

Fault interrupter (NI) ratings

Maximum design voltage,	kV	15.5..... 27.....	38	
Voltage class,	kV	15..... 25.....	35	
Impulse level (BIL),	kV	110..... 125.....	150	
One minute withstand,	AC kV	50..... 60.....	70	
One minute withstand,	Production test rating	AC kV	34..... 40.....	50
15 minute withstand,	DC kV	53..... 78.....	103	



▲ VPNI41 with rotary style operator.



◀ Optional load break switch rotary style operator.

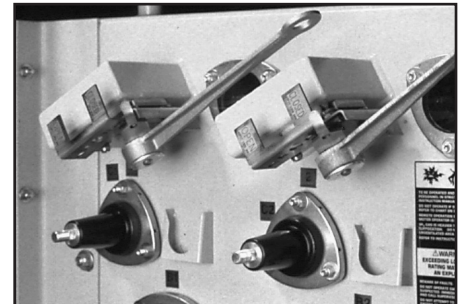
Continuous and load break current, Amps 630..... 630..... 630
Symmetrical interrupting rating, kA 25..... 25..... 12.5**

**25kA available

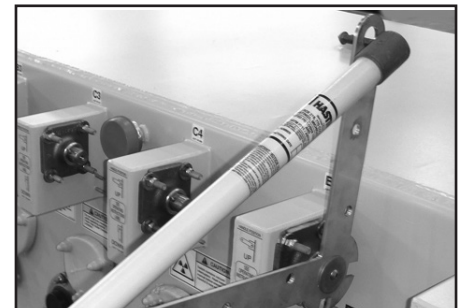
IEEE C37.60 Fault Interrupting Duty

Total number of fault interruptions: 116

Percent of Maximum Interrupting Rating	Approx. Interrupting Current, Amps	No. of Fault Interruptions
15-20%	5,000	44
45-55%	12,500	56
90-100%	25,000	16

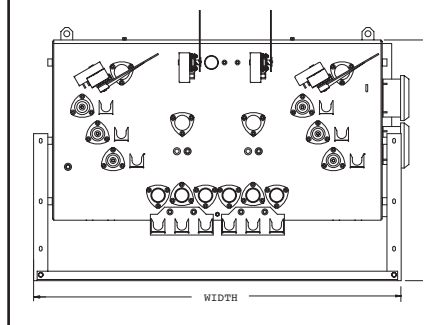


▲ Hookstick operable load break handle.



▲ Interrupter with dual operating handle.

Model VPNI-9F
Shown with diagonal bushing configuration.



▲ Load break switch visible break.

Load and Fault Interrupting Switches

TWO POSITION, FRONT ACCESS, PUFFER VACUUM INTERRUPTERS CONTINUED

LINEAR PUFFER (VPVI)

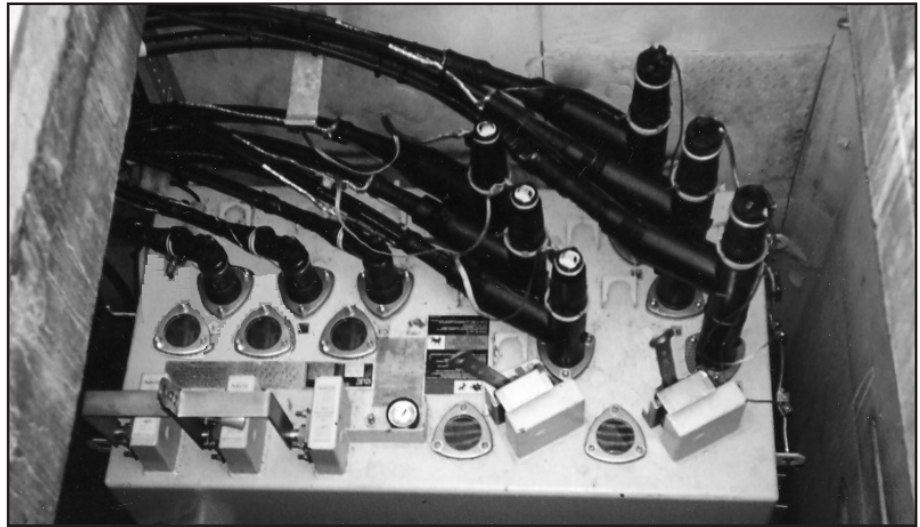
Provides load break switch visible break and single phase or three phase fault interrupting. Fault interrupters can be changed from single phase to three phase operation in the field.

Load break switch (LP) ratings

Maximum design voltage		
kV	15.5	27
Voltage class,		
kV	15	25
Impulse level (BIL),		
kV	110	125
One minute withstand,		
AC kV	35	60
One minute withstand,		
Production test rating		
AC kV	34	40
15 minute withstand,		
DC kV	53	78
Continuous and load break current,		
Amps*	630	630
Momentary current,		
kA asym	40	40
Fault-close current, (3 times)		
kA asym	40	40
One second current,		
kA sym	25	25
Open gap withstand,		
kV	200	200
10 operation overload interrupting capability,		
Amps	3000	3000
Operations load interrupting at 600A	1200	1200
Mechanical endurance, operations ...	2000	2000
<i>*900A continuous available</i>		

Fault interrupter (VI) ratings

Maximum design voltage		
kV	15.5	27
Voltage class,		
kV	15	25
Impulse level (BIL),		
kV	95	125



▲ Model VPVI with three phase interrupter operating handle.

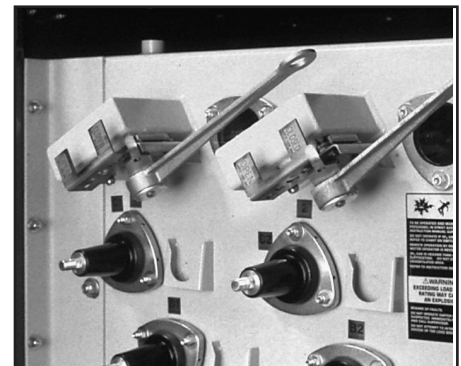
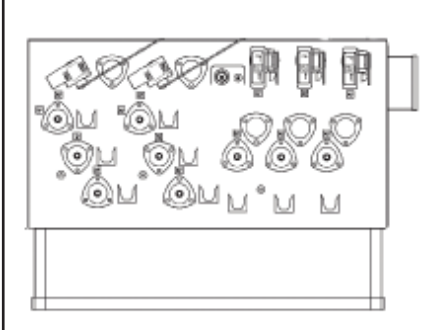
One minute withstand,		
AC kV	50	60
One minute withstand,		
Production test rating		
AC kV	34	40
15 minute withstand,		
DC kV	53	78
Continuous and load break current,		
Amps	630	630
Symmetrical interrupting rating,		
kA**	12	12
<i>**20kA available</i>		

IEEE C37.60 Fault Interrupting Duty

Total number of fault interruptions: 116

Percent of Maximum Interrupting Rating	Approx. Interrupting Current, Amps	No. of Fault Interruptions
15-20%	2,000	44
45-55%	6,000	56
90-100%	12,000	16

Model VPVI-6F shown.



▲ Hookstick operable load break handle.



▲ Single phase interrupter operating handles.

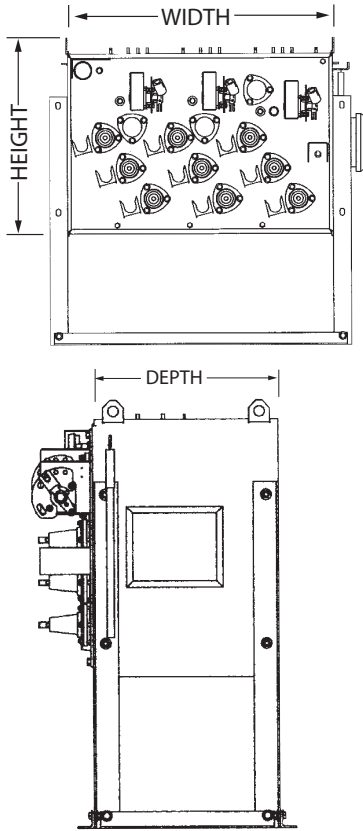


▲ Load break switch visible break

Load and Fault Interrupting Switches

Two Position, Front Access, Puffer Vacuum Interrupters

CONTINUED



For typical specifications, go to:
gwelec.com/specs.html

For contact principle, see pages 28-31.

Switch Style Height and Depth:

For VRPFI styles:
height = 29.5" (749mm),
depth = 22.4" (569mm).

For VLPFI styles:
height = 31" (787mm),
depth = 28" (711mm).

For VPNI styles:
height = 38" (965mm),
depth = 27" (686mm).

For VPVI styles 15kV and 27kV:
height = 33" (838mm),
depth = 31" (787mm).

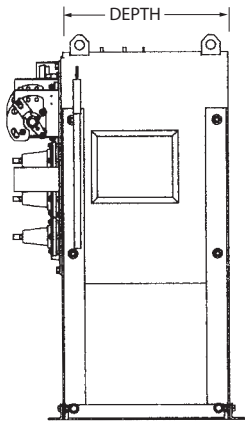
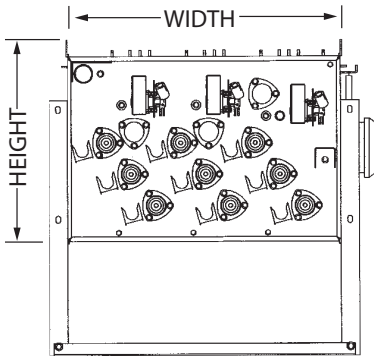
For VPVI styles 38kV:
height = 38" (965mm),
depth = 31" (787mm).

Dimensions are approximate.
Do not use for construction.

Model	One-line Diagram	Voltage (kV)	Catalog Number	Approximate	
				Width in. (mm)	Wt. w/SF. lbs (kgs)
4F		15	VPNI20-376-25-4F	43 (1092)	1050 (477)
			VPFI20-376-12-4F	38.1 (969)	800 (363)
			VPVI20-376-12-4F	26 (660)	1100 (500)
		25	VPNI20-386-25-4F	43 (1092)	1050 (477)
			VPFI20-386-12-4F	38.1 (969)	800 (363)
			VPVI20-386-12-4F	26 (660)	1100 (500)
35	VPNI20-396-12-4F	43 (1092)	1050 (477)		
	VPVI20-396-12-4F	35 (889)	1100 (500)		
	5F		15	VRPFI21-376-12-5F	32 (813)
VLPFI21-376-12-5F				45 (1149)	1025 (466)
VPNI21-376-25-5F				43 (1092)	1100 (500)
25			VPVI21-376-12-5F	50.5 (1283)	1100 (500)
			VRPFI21-386-12-5F	32 (813)	800 (363)
			VLPFI21-386-12-5F	45 (1149)	1025 (466)
35	VPNI21-386-25-5F	43 (1092)	1100 (500)		
	VPVI21-386-12-5F	50.5 (1283)	1100 (500)		
	6F		15	VRPFI32-376-12-6F	44 (1118)
VLPFI32-376-12-6F				57.5 (1467)	1250 (568)
VPNI32-376-25-6F				58 (1473)	1300 (591)
25			VPVI32-376-12-6F	63 (1600)	1300 (591)
			VRPFI32-386-12-6F	44 (1118)	1000 (454)
			VLPFI32-386-12-6F	57.5 (1467)	1250 (568)
35	VPNI32-386-25-6F	58 (1473)	1300 (591)		
	VPVI32-386-12-6F	63 (1600)	1300 (591)		
	7F		15	VPNI32-396-12-6F	58 (1473)
VPVI32-396-12-6F				72 (1829)	1500 (682)
VRPFI31-376-12-7F				44 (1118)	1100 (499)
25			VLPFI31-376-12-7F	57 (1454)	1300 (591)
			VPNI31-376-25-7F	58 (1473)	1400 (636)
			VPVI31-376-12-7F	71.5 (1816)	1500 (682)
35	VRPFI31-386-12-7F	44 (1118)	1100 (499)		
	VLPFI31-386-12-7F	57 (1454)	1300 (591)		
	VPNI31-386-25-7F	58 (1473)	1400 (636)		
35	VPVI31-386-12-7F	71.5 (1816)	1500 (682)		
	VPNI31-396-12-7F	58 (1473)	1400 (636)		
	VPVI31-396-12-7F	89.5 (2273)	1800 (818)		
9F		15	VRPFI42-376-12-9F	56 (1422)	1200 (545)
			VLPFI42-376-12-9F	69.5 (1772)	1350 (614)
			VPNI42-376-25-9F	73 (1854)	1550 (705)
		25	VPVI42-376-12-9F	84 (2134)	1700 (773)
			VRPFI42-386-12-9F	56 (1422)	1200 (545)
			VLPFI42-386-12-9F	69.5 (1772)	1350 (614)
		35	VPNI42-386-25-9F	73 (1854)	1550 (705)
			VPVI42-386-12-9F	84 (2134)	1700 (773)
			VPNI42-396-12-9F	73 (1854)	1550 (705)
		VPVI42-396-12-9F	102 (2591)	1950 (886)	

Load and Fault Interrupting Switches

Two Position, Front Access, Puffer Vacuum Interrupters CONTINUED



For typical specifications, go to:
gwelec.com/specs.html

For contact principle, see pages 28-31.

Switch Style Height and Depth:

For VRPFI styles:
height = 29.5" (749mm),
depth = 22.4" (569mm).

For VLPFI styles:
height = 31" (787mm),
depth = 28" (711mm).

For VPNI styles:
height = 38" (965mm),
depth = 27" (686mm).

For VPVI styles 15kV and 27kV:
height = 33" (838mm),
depth = 31" (787mm).

For VPVI styles 38kV:
height = 38" (965mm),
depth = 31" (787mm).

Model	One-line Diagram	Voltage (kV)	Catalog Number	Approximate	
				Width in. (mm)	Wt. w/SF. lbs (kgs)

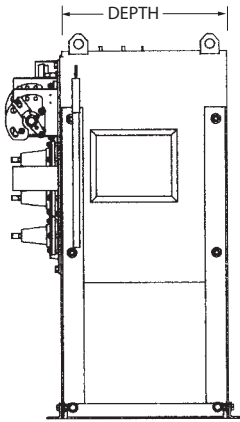
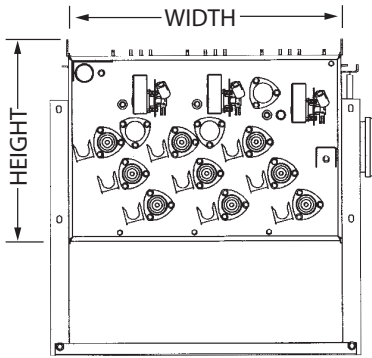
FRONT ACCESS PUFFER VACUUM INTERRUPTERS

Model	One-line Diagram	Voltage (kV)	Catalog Number	Width in. (mm)	Wt. w/SF. lbs (kgs)				
11F		15	VRPFI43-376-12-11F	56 (1422)	1200 (545)				
			VLPFI43-376-12-11F	70 (1784)	1325 (602)				
			VPNI43-376-25-11F	73 (1854)	1650 (750)				
		25		15	VPVI43-376-12-11F	75.5 (1918)	1600 (727)		
					25	VRPFI43-386-12-11F	56 (1422)	1200 (545)	
						VLPFI43-386-12-11F	70 (1784)	1325 (602)	
				VPNI43-386-25-11F		73 (1854)	1650 (750)		
				35		25	VPVI43-386-12-11F	75.5 (1918)	1600 (727)
							VPNI43-396-12-11F	73 (1854)	1650 (750)
12F		15	VRPFI41-376-12-12F	56 (1422)	1200 (545)				
			VLPFI41-376-12-12F	69 (1759)	1400 (636)				
			VPNI41-376-25-12F	73 (1854)	1650 (750)				
		25		15	VPVI41-376-12-12F	92.5 (2350)	1850 (841)		
					25	VRPFI41-386-12-12F	56 (1422)	1200 (545)	
						VLPFI41-386-12-12F	69 (1759)	1400 (636)	
				35		25	VPNI41-386-25-12F	73 (1854)	1650 (750)
							VPVI41-386-12-12F	92.5 (2350)	1850 (841)
43F		15	Bus Tie	VRPFI43-376-12-43F-BT	68 (1727)	1450 (658)			
				VLPFI43-376-12-43F-BT	89 (2261)	1800 (818)			
				VPNI43-376-25-43F-BT	88 (2235)	1850 (839)			
				VPVI43-376-12-43F-BT	105.3 (2675)	1900 (862)			
		25		Bus Tie	VRPFI43-386-12-43F-BT	68 (1727)	1450 (658)		
					VLPFI43-386-12-43F-BT	89 (2261)	1800 (818)		
					VPNI43-386-25-43F-BT	88 (2235)	1850 (839)		
					VPVI43-386-12-43F-BT	105.3 (2675)	1900 (862)		
35		Bus Tie	VPNI43-396-12-43F-BT	88 (2235)	1850 (839)				
			51F		15	VRPFI51-376-12-51F	68 (1727)	1650 (749)	
VLPFI51-376-12-51F	81 (2064)	1950 (886)							
VPNI51-376-25-51F	88 (2235)	2000 (909)							
25		15			VPVI51-376-12-51F	113.5 (2883)	2250 (1023)		
					25	VRPFI51-386-12-51F	68 (1727)	1650 (749)	
						VLPFI51-386-12-51F	81 (2064)	1950 (886)	
35		25	VPNI51-386-25-51F	88 (2235)	2000 (909)				
			35		25	VPVI51-386-12-51F	113.5 (2883)	2250 (1023)	
35		35				VPNI51-396-12-51F	88 (2235)	2000 (909)	
			35		35	VPVI51-396-12-51F	149.5 (3797)	2650 (1205)	

Dimensions are approximate.
Do not use for construction.

Load and Fault Interrupting Switches

Two Position, Front Access, Puffer Vacuum Interrupters Continued



For typical specifications, go to:
gwelec.com/specs.html

For contact principle, see pages 28-31.

Switch Style Height and Depth:

For VRPFI styles:
height = 29.5" (749mm),
depth = 22.4" (569mm).

For VLPFI styles:
height = 31" (787mm),
depth = 28" (711mm).

For VPNI styles:
height = 38" (965mm),
depth = 27" (686mm).

For VPVI styles 15kV and 27kV:
height = 33" (838mm),
depth = 31" (787mm).

For VPVI styles 38kV:
height = 38" (965mm),
depth = 31" (787mm).

Model	One-line Diagram	Voltage (kV)	Catalog Number	Approximate	
				Width in. (mm)	Wt. w/SF ₆ lbs (kgs)

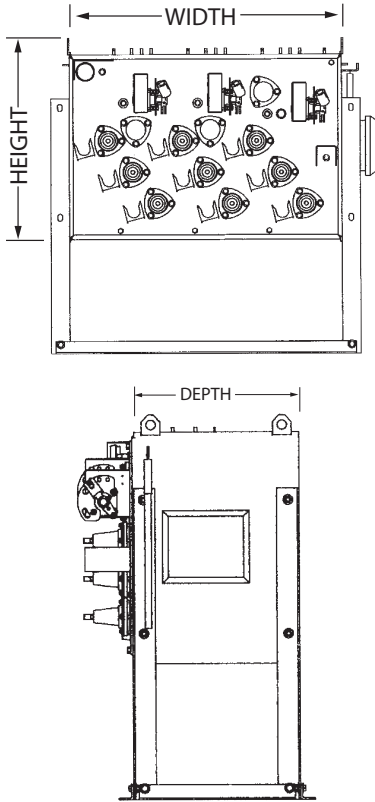
FRONT ACCESS PUFFER VACUUM INTERRUPTERS

52F		15	VRPFI52-376-12-52F	68 (1727)	1450 (658)		
			VLPFI52-376-12-52F	81.5 (2076)	1875 (852)		
			VPNI52-376-25-52F	88 (2235)	1900 (864)		
		25	VRPFI52-386-12-52F	68 (1727)	1450 (658)		
				VLPFI52-386-12-52F	81.5 (2076)	1875 (852)	
				VPNI52-386-25-52F	88 (2235)	1900 (864)	
			VPVI52-386-12-52F	105 (2667)	2100 (955)		
				35	VPNI52-396-12-52F	88 (2235)	1900 (864)
					VPVI52-396-12-52F	132 (3353)	2400 (1089)
53F		15	VRPFI53-376-12-53F		68 (1727)	1450 (658)	
			VLPFI53-376-12-53F	82 (2089)	1800 (818)		
			VPNI53-376-25-53F	88 (2235)	1850 (839)		
		25	VRPFI53-386-12-53F	68 (1727)	1450 (658)		
				VLPFI53-386-12-53F	82 (2089)	1800 (818)	
				VPNI53-386-25-53F	88 (2235)	1850 (839)	
			VPVI53-386-12-53F	96.5 (2451)	1900 (862)		
				35	VPNI53-396-12-53F	88 (2235)	1850 (839)
					VPVI53-396-12-53F	114.5 (2908)	2200 (998)
54F		15	VRPFI54-376-12-54F		68 (1727)	1350 (613)	
			VLPFI54-376-12-54F	82.5 (2102)	1750 (795)		
			VPNI54-376-25-54F	88 (2235)	1800 (818)		
		25	VRPFI54-386-12-54F	68 (1727)	1350 (613)		
				VLPFI54-386-12-54F	82.5 (2102)	1750 (795)	
				VPNI54-386-25-54F	88 (2235)	1800 (818)	
			VPVI54-386-12-54F	87 (2210)	1800 (818)		
				35	VPNI54-396-12-54F	88 (2235)	1800 (818)
					VPVI54-396-12-54F	96 (2438)	2000 (907)
62F		15	VRPFI62-376-12-62F		80 (2032)	1650 (749)	
			VLPFI62-376-12-62F	93.5 (2381)	2000 (909)		
			VPNI62-376-25-62F	103 (2616)	2300 (1043)		
		25	VRPFI62-386-12-62F	80 (2032)	1650 (749)		
				VLPFI62-386-12-62F	93.5 (2381)	2000 (909)	
				VPNI62-386-25-62F	103 (2616)	2300 (1043)	
			VPVI62-386-12-62F	126 (3200)	2500 (1134)		
				35	VPNI62-396-12-62F	103 (2616)	2300 (1043)

Dimensions are approximate.
Do not use for construction.

Load and Fault Interrupting Switches

Two Position, Front Access, Puffer Vacuum Interrupters CONTINUED



For typical specifications, go to:
gwelec.com/specs.html

For contact principle, see pages 28-31.

Switch Style Height and Depth:

For VRPFI styles:
height = 29.5" (749mm),
depth = 22.4" (569mm).

For VLPFI styles:
height = 31" (787mm),
depth = 28" (711mm).

For VPNI styles:
height = 38" (965mm),
depth = 27" (686mm).

For VPVI styles 15kV and 27kV:
height = 33" (838mm),
depth = 31" (787mm).

For VPVI styles 38kV:
height = 38" (965mm),
depth = 31" (787mm).

Model	One-line Diagram	Voltage (kV)	Catalog Number	Approximate	
				Width in. (mm)	Wt. w/SF. lbs (kgs)

FRONT ACCESS PUFFER VACUUM INTERRUPTERS

63F		15	VRPFI63-376-12-63F	80 (2032)	1650 (749)			
			VLPFI63-376-12-63F	94 (2394)	1950 (886)			
			VPNI63-376-25-63F	103 (2616)	2200 (998)			
			VPVI63-376-12-63F	117.5 (2985)	2300 (1043)			
		25	VRPFI63-386-12-63F	80 (2032)	1650 (749)			
			VLPFI63-386-12-63F	94 (2394)	1950 (886)			
			VPNI63-386-25-63F	103 (2616)	2200 (998)			
			VPVI63-386-12-63F	117.5 (2985)	2300 (1043)			
		35	VPNI63-396-12-63F	103 (2616)	2200 (998)			
VPVI63-396-12-63F	144.5 (3670)		2700 (1225)					
64F		15	VRPFI64-376-12-64F	80 (2032)	1550 (704)			
			VLPFI64-376-12-64F	94.5 (2407)	1900 (864)			
			VPNI64-376-25-64F	103 (2616)	2100 (955)			
			VPVI64-376-12-64F	109 (2769)	2200 (998)			
		25	VRPFI64-386-12-64F	80 (2032)	1550 (704)			
			VLPFI64-386-12-64F	94.5 (2407)	1900 (864)			
			VPNI64-386-25-64F	103 (2616)	2100 (955)			
			VPVI64-386-12-64F	109 (2769)	2200 (998)			
		35	VPNI64-396-12-64F	103 (2616)	2100 (955)			
			VPVI64-396-12-64F	127 (3226)	2400 (1089)			
			65F		15	VRPFI65-376-12-65F	80 (2032)	1550 (704)
						VLPFI65-376-12-65F	95 (2419)	1850 (841)
VPNI65-376-25-65F	103 (2616)	2000 (907)						
VPVI65-376-12-65F	99.5 (2527)	2100 (955)						
25	VRPFI65-386-12-65F	80 (2032)			1550 (704)			
	VLPFI65-386-12-65F	95 (2419)	1850 (841)					
	VPNI65-386-25-65F	103 (2616)	2000 (907)					
	VPVI65-386-12-65F	99.5 (2527)	2100 (955)					
	VPNI65-396-12-65F	103 (2616)	2000 (907)					
72F		15	VRPFI72-376-12-72F	92 (2337)	1500 (682)			
			VLPFI72-376-12-72F	105.5 (2680)	2000 (909)			
			VPNI72-376-25-72F	118 (2997)	2600 (1182)			
			VPVI72-376-12-72F	147 (3734)	2800 (1273)			
		25	VRPFI72-386-12-72F	92 (2337)	1500 (682)			
VLPFI72-386-12-72F	105.5 (2680)		2000 (909)					
VPNI72-386-25-72F	118 (2997)		2600 (1182)					
VPVI72-386-12-72F	147 (3734)		2800 (1273)					
VPNI72-396-12-72F	118 (2997)		2600 (1182)					

*Dimensions are approximate.
Do not use for construction.*

Load and Fault Interrupting Switches

THREE POSITION, FRONT ACCESS, TRIAD™ SERIES 1 WITH LOAD BREAK GROUND SWITCHES

Switches incorporate rotary puffer style internal ground for the load break switch ways. Two models offer different ratings and vacuum interrupter capabilities as follows:

Model VTFI

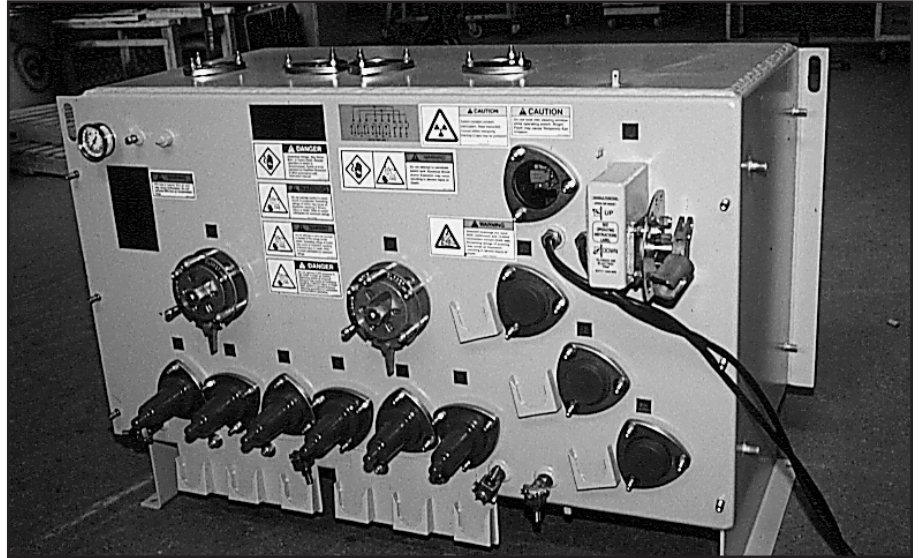
Provides three phase protection.

Load break switch (RP) ratings

Maximum design voltage,		
kV	15.5	27
Voltage class,		
kV	15	25
Impulse level (BIL),		
kV	110	125
One minute withstand,		
AC kV	35	60
One minute withstand,		
Production test rating		
AC kV	34	40
15 minute withstand,		
DC kV	53	78
Continuous and load break current,		
Amps	630	630
Momentary current,		
kA asym	40	40
Fault-close current, (3 times)		
kA asym	32	32
One second current		
kA sym	25	25
Mechanical endurance,		
operations	2000	2000

Fault interrupter (FI) ratings

Maximum design voltage,		
kV	15.5	27
Voltage class,		
kV	15	25
Impulse level (BIL),		
kV	110	125
One minute withstand,		
AC kV	50	60
One minute withstand,		
Production test rating		
AC kV	34	40
15 minute withstand,		
DC kV	53	78



▲ VTFI-6F

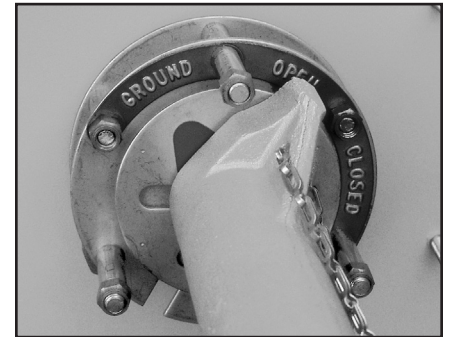
Continuous and load break current,
Amps 630 630
Symmetrical interrupting rating,
kA 12.5 12.5

IEEE C37.60

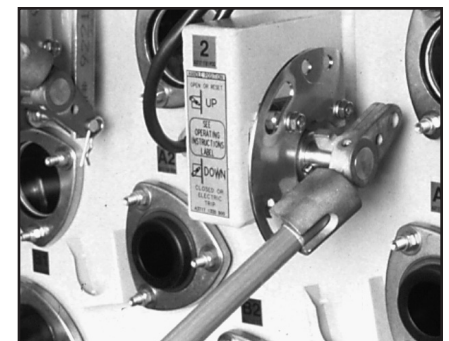
Fault Interrupting Duty

Total number of fault interruptions: 116

Percent of Maximum Interrupting Rating	Approx. Interrupting Current, Amps	No. of Fault Interruptions
15-20%	2,000	44
45-55%	6,000	56
90-100%	12,500	16



▲ Load break multi-position switch operator.



▲ Fault interrupter operating handle.

Load and Fault Interrupting Switches

THREE POSITION, FRONT ACCESS, TRIAD™ SERIES 1 WITH LOAD BREAK GROUND SWITCHES CONTINUED

Switches incorporate rotary puffer style internal ground for the load break switch ways. Two models offer different ratings and fault interrupter capabilities as follows:

Model VTVI

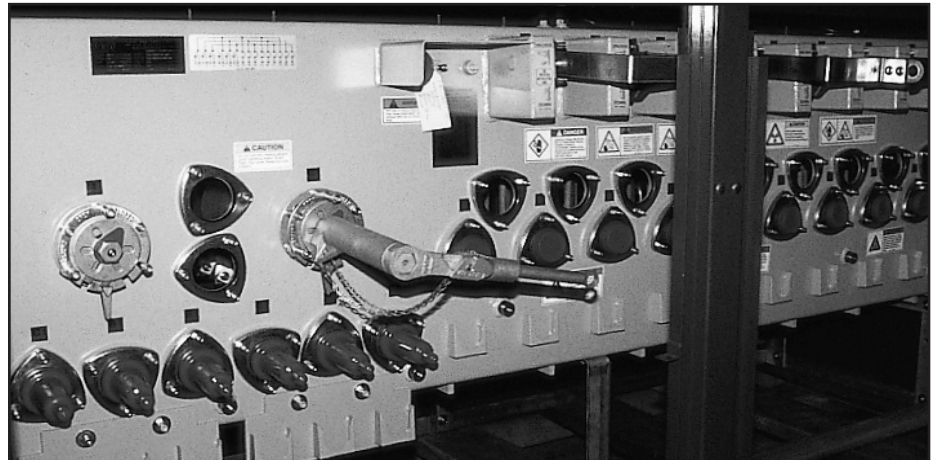
Provides single phase or three phase protection with 12 or 20kA symmetrical interrupting.

Load break switch (RP) ratings

Maximum design voltage,			
kV	15.5	27	38
Voltage class,			
kV	15	25	35
Impulse level (BIL),			
kV	110	125	150
One minute withstand,			
AC kV	35	60	70
One minute withstand,			
Production test rating			
AC kV	34	40	50
15 minute withstand,			
DC kV	53	78	103
Continuous and load break current,			
Amps	630	630	630
Momentary current,			
kA asym	40	40	40
Fault-close current, (3 times)			
kA asym	32	32	32
One second current			
kA sym	25	25	25
Mechanical endurance,			
operations ...	2000	2000	2000

Fault interrupter (VI) ratings

Maximum design voltage,			
kV	15.5	27	38
Voltage class,			
kV	15	25	35
Impulse level (BIL),			
kV	95	125	150
One minute withstand,			
AC kV	50	60	70
One minute withstand,			
Production test rating			
AC kV	34	40	50
15 minute withstand,			
DC kV	53	78	103



▲ VTVI-6F

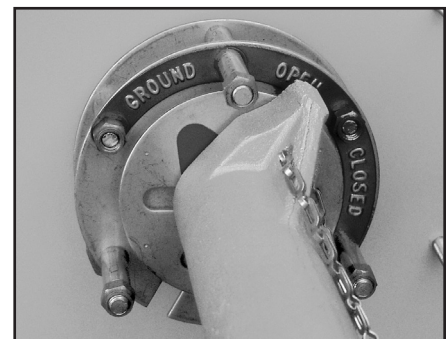
Continuous and load break current,
Amps 630..... 630 630
Symmetrical interrupting rating,
kA** 12..... 12 12
**20kA available

IEEE C37.60

Fault Interrupting Duty

Total number of fault interruptions: 116

Percent of Maximum Interrupting Rating	Approx. Interrupting Current, Amps	No. of Fault Interruptions
15-20%	2,000	44
45-55%	6,000	56
90-100%	12,000	16



▲ Load break multi-position switch operator.



▲ Single phase interrupter operating handles.



▲ Three phase interrupter operating handle.

Load and Fault Interrupting Switches

THREE POSITION, FRONT ACCESS, TRIAD™ SERIES 1 WITH LOAD BREAK GROUND SWITCHES CONTINUED

Model	One-line Diagram	Volt. Class (kV)	Catalog Number	Approximate		
				Width in. (mm)	Depth in. (mm)	Wt. w/SF ₆ lbs (kgs)

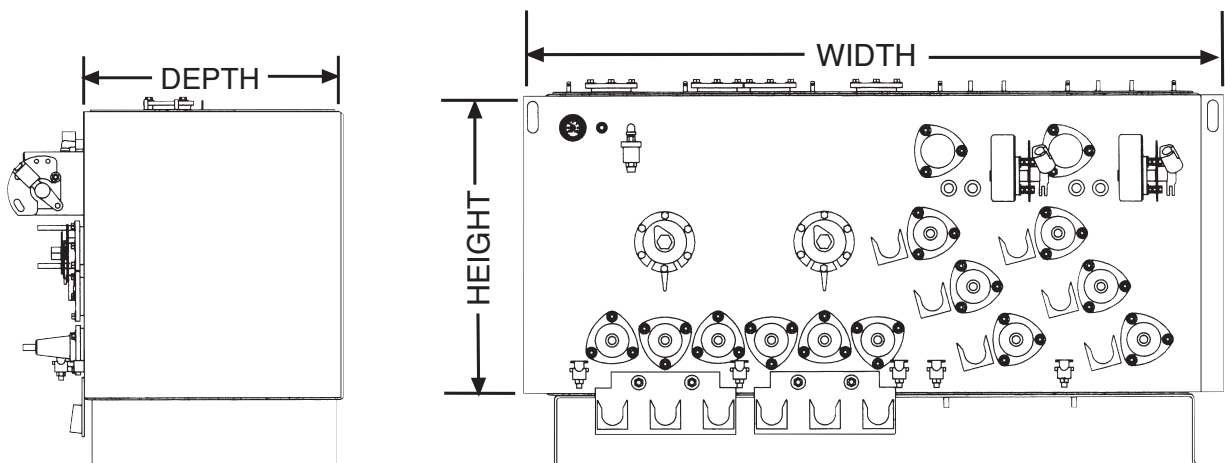
TRIAD SERIES 1 - FRONT ACCESS

6F		15	VTVI32-376-12-6F	72 (1829)	32.4 (823)	1300 (590)
			VTFI32-376-12-6F	62 (1575)	25.5 (648)	1350 (614)
		25	VTVI32-386-12-6F	72 (1829)	32.4 (823)	1425 (648)
			VTFI32-386-12-6F	62 (1575)	25.5 (648)	1350 (614)
9F		15	VTVI42-376-12-9F	93 (2362)	32.4 (823)	1700 (771)
			VTFI42-376-12-9F	74 (1880)	25.5 (648)	1500 (681)
		25	VTVI42-386-12-9F	93 (2362)	32.4 (823)	1700 (771)
			VTFI42-386-12-9F	74 (1880)	25.5 (648)	1500 (681)
52F		15	VTVI52-376-12-52F	114 (2896)	32.4 (823)	1825 (830)
			VTFI52-376-12-52F	86 (2184)	25.5 (648)	1750 (796)
		25	VTVI52-386-12-52F	114 (2896)	32.4 (823)	1825 (830)
			VTFI52-386-12-52F	86 (2184)	25.5 (648)	1750 (796)
62F		15	VTVI62-376-12-62F	135 (3429)	32.4 (823)	2025 (920)
			VTFI62-376-12-62F	98 (2489)	25.5 (648)	1950 (886)
		25	VTVI62-386-12-62F	135 (3429)	32.4 (823)	2025 (920)
			VTFI62-386-12-62F	98 (2489)	25.5 (648)	1950 (886)
35	VTVI62-396-12-62F	144 (3658)	32.4 (823)	2500 (1136)		

Height of tank minus frame = 29" (737mm).

For typical specifications, go to: gwelec.com/specs.html

For contact principle, see pages 28, 29 and 32.



Dimensions are approximate.
Do not use for construction.

Load and Fault Interrupting Switches

THREE POSITION, FRONT / BACK ACCESS, TRIAD™ SERIES 2 WITH BOTH LOAD BREAK AND FAULT INTERRUPTER GROUND SWITCHES

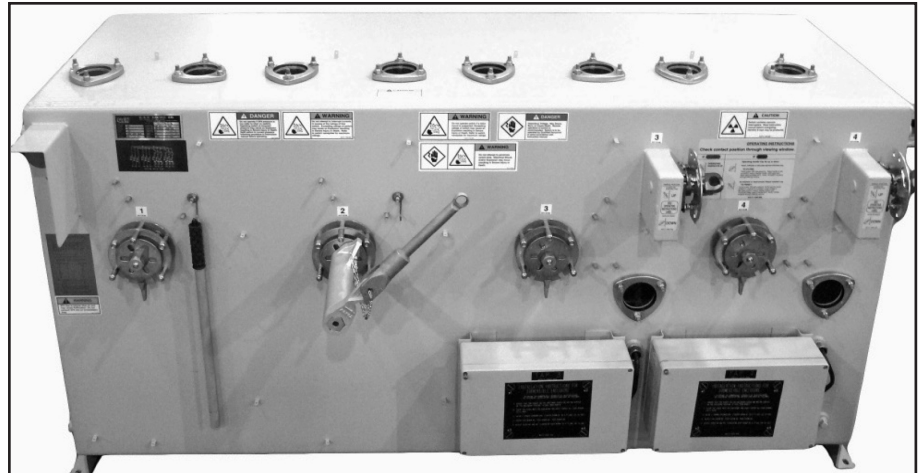
Switches incorporate rotary puffer style internal ground switching for both the load break and fault interrupter switch ways. Model NI vacuum interrupter three phase mechanisms are used.

Load break switch (RP) ratings

Maximum design voltage, kV	15.5	27	38
Voltage class, kV	15	25	35
Impulse level (BIL), kV	110	125	150
One minute withstand, AC kV	35	60	70
One minute withstand, Production test rating AC kV	34	40	50
15 minute withstand, DC kV	53	78	103
Continuous and load break current, Amps	630	630	630
Momentary current, kA asym	40	40	40
Fault-close current, (3 times) kA asym	32	32	32
One second current kA sym	25	25	25
Mechanical endurance, operations ...	2000	2000	2000

Fault interrupter (NI) ratings

Maximum design voltage, kV	15.5	27	38
Voltage class, kV	15	25	35
Impulse level (BIL), kV	110	125	150
One minute withstand, AC kV	50	60	70
One minute withstand, Production test rating AC kV	34	40	50
15 minute withstand, DC kV	53	78	103



▲ Front view of a TNI-9L
Contact viewing
windows are on the top
of the switch. See
viewing window option
below.



◀ Cable entrances
are located on the
back of the switch.

Continuous and load break current, Amps	630	630	630
Symmetrical interrupting rating, kA**	12.5	12.5	12.5

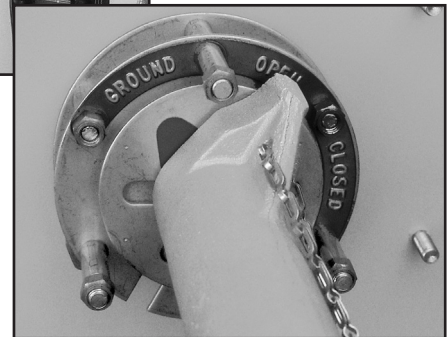
**20kA and 25kA available

IEEE C37.60

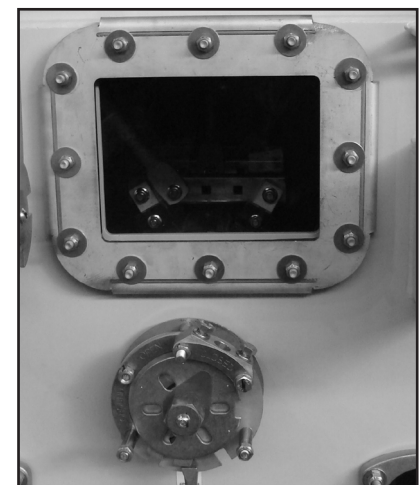
Fault Interrupting Duty

Total number of fault interruptions: 116

Percent of Maximum Interrupting Rating	Approx. Interrupting Current, Amps	No. of Fault Interruptions
15-20%	5,000	44
45-55%	12,500	56
90-100%	25,000	16



▲ Load break multi-position switch operator.



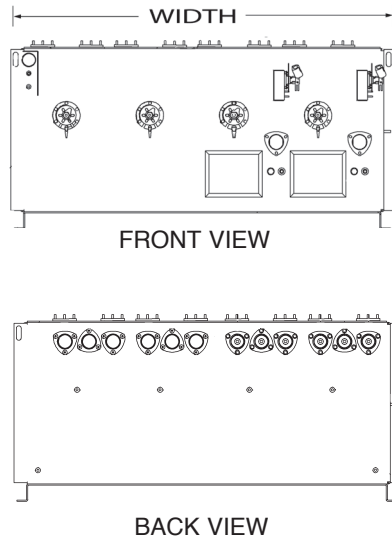
Optional large viewing window ▶
for load break switch visible break.

Load and Fault Interrupting Switches

THREE POSITION, FRONT / BACK ACCESS, TRIAD™ SERIES 2 WITH BOTH LOAD BREAK AND FAULT INTERRUPTER GROUND SWITCHES

CONTINUED

Switches incorporate rotary puffer style internal ground switching for both the load break and fault interrupter switch ways. Model NI vacuum interrupter three phase mechanisms are used.



For typical specifications, go to:
gwelec.com/specs.html

For contact principles, see pages 28
and 32.

Model	One-line Diagram	Voltage Class (kV)	Catalog Number	Approximate	
				Width in. (mm)	Wt. w/SF ₆ lbs (kgs)
5		15	VTNI21-376-12-5L	46 (1168)	1115 (507)
		25	VTNI21-386-12-5L	46 (1168)	1115 (507)
		35	VTNI21-396-12-5L	46 (1168)	1115 (507)
6		15	VTNI32-376-12-6L	65 (1651)	1885 (857)
		25	VTNI32-386-12-6L	65 (1651)	1885 (857)
		35	VTNI32-396-12-6L	65 (1651)	1885 (857)
7		15	VTNI31-376-12-7L	65 (1651)	1960 (891)
		25	VTNI31-386-12-7L	65 (1651)	1960 (891)
		35	VTNI31-396-12-7L	65 (1651)	1960 (891)
9		15	VTNI42-376-12-9L	88 (2235)	2360 (1073)
		25	VTNI42-386-12-9L	88 (2235)	2360 (1073)
		35	VTNI42-396-12-9L	88 (2235)	2360 (1073)
11		15	VTNI43-376-12-11L	83 (2108)	2285 (1039)
		25	VTNI43-386-12-11L	83 (2108)	2285 (1039)
		35	VTNI43-396-12-11L	83 (2108)	2285 (1039)
12		15	VTNI41-376-12-12L	83 (2108)	2435 (1107)
		25	VTNI41-386-12-12L	83 (2108)	2435 (1107)
		35	VTNI41-396-12-12L	83 (2108)	2435 (1107)
51		15	VTNI51-376-12-51L	101 (2565)	2930 (1332)
		25	VTNI51-386-12-51L	101 (2565)	2930 (1332)
		35	VTNI51-396-12-51L	101 (2565)	2930 (1332)
52		15	VTNI52-376-12-52L	101 (2565)	2855 (1311)
		25	VTNI52-386-12-52L	101 (2565)	2855 (1311)
		35	VTNI52-396-12-52L	101 (2565)	2855 (1311)
53		15	VTNI53-376-12-53L	101 (2565)	2780 (1264)
		25	VTNI53-386-12-53L	101 (2565)	2780 (1264)
		35	VTNI53-396-12-53L	101 (2565)	2780 (1264)
54		15	VTNI54-376-12-54L	101 (2565)	2705 (1230)
		25	VTNI54-386-12-54L	101 (2565)	2705 (1230)
		35	VTNI54-396-12-54L	101 (2565)	2705 (1230)
62		15	VTNI62-376-12-62L	119 (3023)	2430 (1105)
		25	VTNI62-386-12-62L	119 (3023)	2430 (1105)
		35	VTNI62-396-12-62L	119 (3023)	2430 (1105)
63		15	VTNI63-376-12-63L	119 (3023)	2355 (1070)
		25	VTNI63-386-12-63L	119 (3023)	2355 (1070)
		35	VTNI63-396-12-63L	119 (3023)	2355 (1070)
64		15	VTNI64-376-12-64L	119 (3023)	2280 (1036)
		25	VTNI64-386-12-64L	119 (3023)	2280 (1036)
		35	VTNI64-396-12-64L	119 (3023)	2280 (1036)
65		15	VTNI65-376-12-65L	119 (3023)	2205 (1002)
		25	VTNI65-386-12-65L	119 (3023)	2205 (1002)
		35	VTNI65-396-12-65L	119 (3023)	2205 (1002)

All voltage classes have a height = 42.5" (1080mm); depth = 36" (914mm).

Dimensions are approximate.
Do not use for construction.

Two Position Load Break Switches

TWO POSITION LOAD BREAK, RECTANGULAR TANK STYLE, RAM SERIES

Available in 20kA (Rotary Puffer) and 40kA (Linear Puffer) designs.

RAM styles incorporate in-line bushing arrangements with a 5" phase spacing. Bushings can be top, bottom, front or side mounted.

SRAM styles provide the most compact construction due to diagonal bushing arrangements with a 6-1/2" phase spacing. These models can accommodate bushing mounted fuses

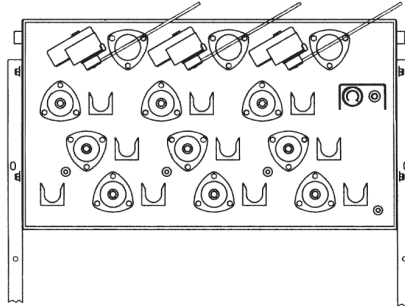
Linear Puffer (PI) ratings

Maximum design voltage,			
kV	15.5	27	38
Voltage class,			
kV	15	25	35
Impulse level (BIL),			
kV	110	125	150
One minute withstand,			
AC kV	35	60	70
One minute withstand,			
Production test rating			
AC kV	34	40	50
15 minute withstand,			
DC kV	53	78	103
Continuous and load break current,			
Amps*	630	630	630
Momentary current,			
kA asym	40	40	40
Fault-close current, (3 times)			
kA asym	40	40	40
One second current,			
kA sym	25	25	25
Open gap withstand,			
kV	200	200	200
10 operation overload interrupting capability,			
A	3000	3000	3000
Operations load interrupting at 600A	1200	1200	1200
Mechanical endurance, operations ...	2000	2000	2000

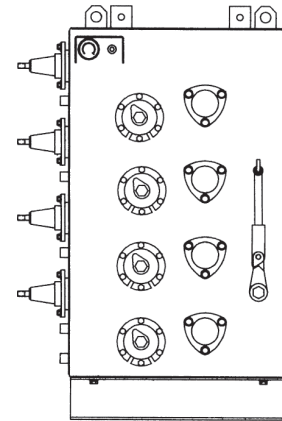
*900A available

Variety of styles available.

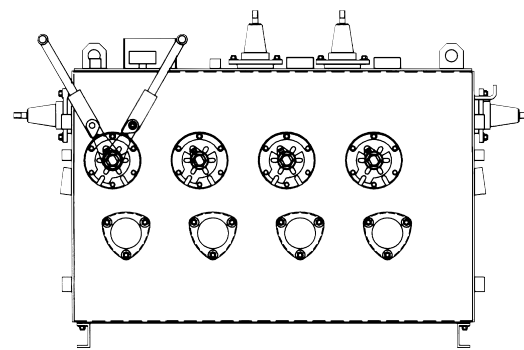
Bushings can be front, top, bottom or side mounted.



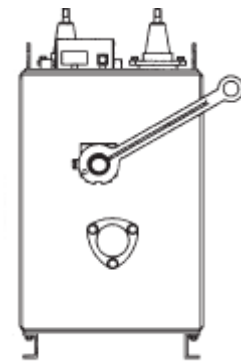
SRAM with front mounted bushings and operators.



Vertical mount VRAM44 with side mounted bushings and front operators.



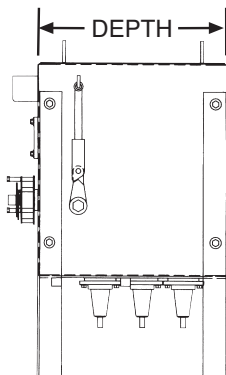
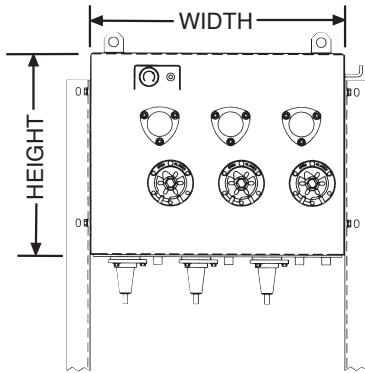
VRAM with top mounted bushings and operators.



VRAM with top mounted bushings and front operator.

Two Position Load Break Switches

TWO POSITION LOAD BREAK, RECTANGULAR TANK STYLE RAM SERIES CONTINUED



RAM catalog numbers with bottom bushings shown.

For typical specifications, go to:
gwelec.com/specs.html

For contact principles, see pages
30 and 31.

Dimensions are approximate.
Do not use for construction.

One-line Diagram (Horizontal)	Voltage Class (kV)	Mom. (kA) asym.	Catalog Number	Approximate	
				Width in. (mm)	Wt. w/ SF ₆ lbs (kgs)

RAM SERIES (TYPICAL CONFIGURATIONS)

	15	40	RAM21-376M-40PI	18(458)	300 (136)
	25	40	RAM21-386M-40PI	18 (458)	300 (136)
	35	40	RAM21-396M-40PI	18 (458)	300 (136)
	15	40	RAM33-376M-40PI	33 (838)	725 (330)
	25	40	RAM33-386M-40PI	33 (838)	725 (330)
	35	40	RAM33-396M-40PI	33 (838)	725 (330)
	15	40	RAM44-376M-40PI	42 (1067)	875 (398)
	25	40	RAM44-386M-40PI	42 (1067)	875 (398)
	35	40	RAM44-396M-40PI	42 (1067)	875 (398)
	15	40	RAM55-376M-40PI	51 (1295)	1025 (466)
	25	40	RAM55-386M-40PI	51 (1295)	1025 (466)
	35	40	RAM55-396M-40PI	51 (1295)	1025 (466)
	15	40	RAM66-376M-40PI	60 (1524)	1175 (534)
	25	40	RAM66-386M-40PI	60 (1524)	1175 (534)
	35	40	RAM66-396M-40PI	60 (1524)	1175 (534)
	15	40	RAM45-376M-40PI-BT	51 (1295)	1025 (466)
	25	40	RAM45-386M-40PI-BT	51 (1295)	1025 (466)
	35	40	RAM45-396M-40PI-BT	51 (1295)	1025 (466)

For PI, RAM designs: depth = 30" (762), height = 26" (660mm).

Two Position Load Break Switches

TWO POSITION LOAD BREAK, CIRCULAR TANK STYLE RPR / RPL / RPRM SERIES

G&W's circular tank RP switch incorporates all bushings and operating apparatus on the top of the switch for easy access from above ground if required. Switches are rated through 25kV, 200A. Two way and three way configurations are available for either single, two or three phase applications. See fused switch section for fused designs.

Load break switch (RP) ratings

Maximum design voltage,		
kV	15.5	27
Voltage class,		
kV	15	25
Impulse level (BIL)		
kV	110	125
One minute withstand,		
AC kV	35	60
One minute withstand,		
Production test rating		
AC kV	34	40
15 minute withstand,		
DC kV	53	78
Continuous and load break current,		
Amps	200	200
Momentary current,		
kA asym	25.6	20
Fault-close current, (3 times)		
kA asym	25.6	20
One second current,		
kA sym	16	12.5
Operations load interrupting		
endurance at 600A...500		350
Mechanical endurance,		
operations	2000	2000



One-line Diagram	Voltage Class (kV)	No. of Phases	Catalog Number	Approx. Dimensions Inches (mm)		Approx. Wt. w/ SF ₆ lbs (kg)
				A	B	

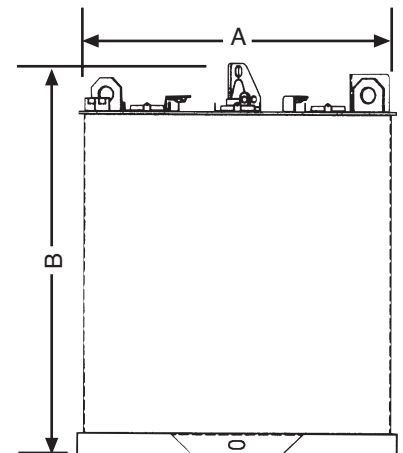
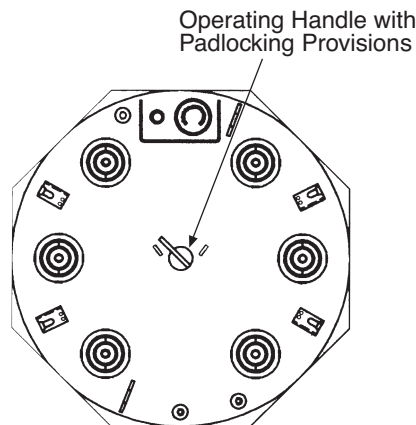
RPR / RPL / RPRM SERIES

	15	1	15RPR1W	29 (737)	31 (787)	250 (114)
		2	15RPR2W	29 (737)	31 (787)	275 (125)
		3	15RPR3W	29 (737)	31 (787)	300 (136)
	25	1	27RPR1W	29 (737)	31 (787)	250 (114)
		2	27RPR2W	29 (737)	31 (787)	275 (125)
		3	27RPR3W	29 (737)	31 (787)	300 (136)
	15	1	15RPL1W	29 (737)	31 (787)	250 (114)
		2	15RPL2W	29 (737)	31 (787)	275 (125)
		3	15RPL3W	29 (737)	31 (787)	300 (136)
	25	1	27RPL1W	29 (737)	31 (787)	250 (114)
		2	27RPL2W	29 (737)	31 (787)	275 (125)
		3	27RPL3W	29 (737)	31 (787)	300 (136)
	15	1	15RPRM1W	35 (889)	31 (787)	300 (136)
		2	15RPRM2W	35 (889)	31 (787)	325 (148)
		3	15RPRM3W	35 (889)	31 (787)	350 (159)
	25	1	27RPRM1W	35 (889)	31 (787)	300 (136)
		2	27RPRM2W	35 (889)	31 (787)	325 (148)
		3	27RPRM3W	35 (889)	31 (787)	350 (159)

For typical specifications, go to: gwelec.com/specs.html

For contact principles, see page 28.

For fused switches, see page 25.



◀ RP style switches can be floor, wall or frame mounted in any attitude.

Dimensions are approximate.
Do not use for construction.

Three Position Load Break Switches

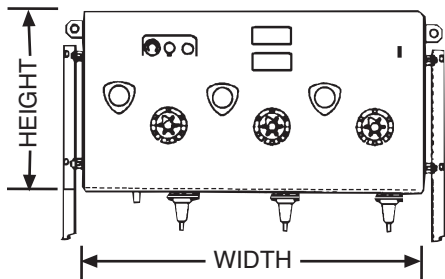
THREE POSITION, GROUND SWITCHES - GRAM SERIES (Close-Open-Ground)

An integral ground position within the switch tank permits safe and easy grounding of the cable circuit without having to disconnect elbow or other cable entrance connections. Switching to ground is accomplished through the simple throw of the operating handle without having to de-energize other circuits through the switch. This feature is beneficial for applications using lead covered cables where cable movement needs to be minimized. Ground stops with padlocking provisions help assure proper operation in the desired position.

Rotary Puffer (RP) Ratings

See contact principle page for Rotary Blade (SF) ratings.

Maximum design voltage,			
kV	15.5.....	27	38
Voltage class,			
kV	15.....	25	35
Impulse level (BIL),			
kV	110.....	125	150
One minute withstand,			
AC kV	35.....	60	70
One minute withstand,			
Production test rating			
AC kV	34.....	40	50
15 minute withstand,			
DC kV.....	53.....	78	103
Continuous and load break current,			
Amps	630.....	630	630
Momentary current,			
kA asym	40.....	40	40
Fault-close current, (3 times)			
kA asym	32.....	32	32
One second current			
kA sym	25.....	25	25
Mechanical endurance,			
operations	2000.....	2000	2000



Dimensions are approximate.
Do not use for construction.

One-line Diagram (Horizontal)	Voltage Class (kV)	Mom (kA) asym.	Catalog Number*	Approximate	
				Width in. (mm)**	Wt. w/SF ⁶ lbs (kgs)

GRAM SERIES (GROUND SWITCHES)

	15	40	GRAM21-376M-40RP	29 (737)	700 (318)
		40	GRAM21-376M-40SF	37.8 (960)	750 (341)
	25	40	GRAM21-386M-40RP	29 (737)	700 (318)
		40	GRAM21-386M-40SF	37.8 (960)	750 (341)
	15	40	GRAM33-376M-40RP	40.5 (1029)	950 (431)
		40	GRAM33-376M-40SF	54 (1372)	1444 (657)
	25	40	GRAM33-386M-40RP	40.5 (1029)	950 (431)
		40	GRAM33-386M-40SF	54 (1372)	1444 (657)
	15	40	GRAM44-376M-40RP	52 (1321)	1200 (544)
		40	GRAM44-376M-40SF	70.3 (1786)	1500 (682)
	25	40	GRAM44-386M-40RP	52 (1321)	1060 (482)
		40	GRAM44-386M-40SF	70.3 (1786)	1500 (682)
	15	40	GRAM55-376M-40RP	63.5 (1613)	1500 (681)
		40	GRAM55-376M-40SF	86.5 (2197)	1713 (779)
	25	40	GRAM55-386M-40RP	63.5 (1613)	1500 (681)
		40	GRAM55-386M-40SF	86.5 (2197)	1713 (779)
	15	40	GRAM66-376M-40RP	75 (1905)	1500 (682)
		40	GRAM66-376M-40SF	102.8 (2610)	2056 (935)
	25	40	GRAM66-386M-40RP	75 (1905)	1500 (682)
		40	GRAM66-386M-40SF	102.8 (2610)	2010 (914)
35	40	GRAM66-396M-40RP	75 (1905)	1500 (682)	

*Suffix RP = Rotary Puffer, SF = Rotary Blade. Inverted designs with top entry bushings are available.

** For 40A rotary puffer style switches: tank depth = 25" (635mm), tank height = 27" (686mm). Dimensions are approximate and do not include entrances, gauges, frames or operators.

** For 40kA rotary blade style switches: tank depth = 23" (584mm), tank height = 28" (711mm). Dimensions are approximate and do not include entrances, gauges, frames or operators.

For typical specifications, go to: gwelec.com/specs.html

For contact principle, see page 30 & 31.

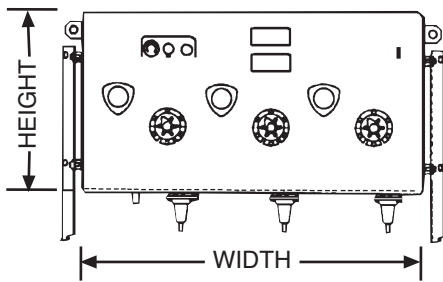
Three Position Load Break Switches

THREE POSITION, GROUND SWITCHES - GRAM SERIES (Close-Open-Ground)

An integral ground position within the switch tank permits safe and easy grounding of the cable circuit without having to disconnect elbow or other cable entrance connections. Switching to ground is accomplished through the simple throw of the operating handle without having to de-energize other circuits through the switch. This feature is beneficial for applications using lead covered cables where cable movement needs to be minimized. Ground stops with padlocking provisions help assure proper operation in the desired position.

Linear Puffer (PI) Ratings

Maximum design voltage, kV	15.5
Voltage class, kV	15
Impulse level (BIL), kV	110
One minute withstand, AC kV	35
One minute withstand, Production test rating AC kV	34
15 minute withstand, DC kV	53
Continuous and load break current, Amps	630
Momentary current, kA asym	64
Fault-close current, (3 times) kA asym	64
One second current kA sym	40
Mechanical endurance, operations	2000



One-line Diagram (Horizontal)	Voltage (kv)	MOM (kA) asym.	Catalog Number	Approximate	
				Width in (mm)*	Wt. w/SF ₆ lbs (kg)

GRAM SERIES (GROUND SWITCHES)

	15	64	GRAM21-376M-64PI	32.5 (825)	600 (270)
	15	64	GRAM33-376M-64PI	62.25 (1580)	1400 (635)
	15	64	GRAM44-376M-64PI	80.5 (2045)	1800 (815)
	15	64	GRAM55-376M-64PI	98.75 (2510)	2200 (1000)
	15	64	GRAM66-376M-64PI	117 (2970)	2600 (1180)

*Suffix PI = Linear Puffer. Inverted designs with top entry bushings are available.
 Tank Depth= 34" (865mm), Tank Height=32" (815mm)
 Dimensions are approximate and do not include entrances, gauges, frames or operators.

For typical specifications, go to: gwelec.com/specs.html



Three Position Load Break Switches

THREE POSITION, TEST GROUND SWITCHES - TRAM SERIES

(Close-Open-Test Ground)

An integral test position permits safe and easy testing of cable circuits through the switch without having to disconnect elbow or other cable entrance connections. Air bushings are provided and double as a test or grounding point. Handle stops with padlocking provisions help assure proper operation in the desired position.

Rotary Puffer (RP) Ratings

See contact principle page for Rotary Blade (SF) ratings.

Maximum design voltage,			
kV	15.5	27	38
Voltage class,			
kV	15	25	35
Impulse level (BIL),			
kV	110	125	150
One minute withstand,			
AC kV	35	60	70
One minute withstand,			
Production test rating			
AC kV	34	40	50
15 minute withstand,			
DC kV	53	78	103
Continuous and load break current,			
Amps	630	630	630
Momentary current,			
kA asym	40	40	40
Fault-close current, (3 times)			
kA asym	32	32	32
One second current			
kA sym	25	25	25
Mechanical endurance,			
operations	2000	2000	2000

One-line Diagram (Horizontal)	Voltage Class (kV)	Mom. (kA) asym.	Catalog Number*	Width in. (mm)**	Wt. w/SF ⁶ lbs (kgs)
-------------------------------	--------------------	-----------------	-----------------	------------------	---------------------------------

TRAM SERIES (TEST GROUND SWITCHES)

	15	40	TRAM21-376M-40RP	34 (864)	700 (318)
		40	TRAM21-376M-40SF	36 (914)	875 (398)
	15	40	TRAM33-376M-40RP	58 (1473)	700 (318)
		40	TRAM33-376M-40SF	62 (1570)	875 (398)

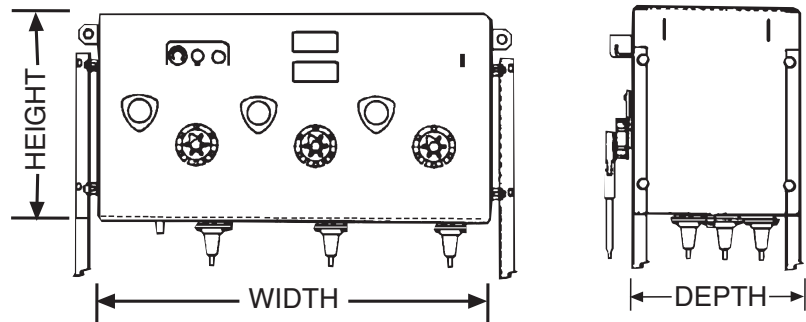
*Suffix RP = Rotary Puffer, SF = Rotary Blade. Inverted designs with top entry bushings are available.

**For 40kA rotary puffer style switches: tank depth = 25" (635mm), tank height = 27" (635mm). Dimensions are approximate and do not include entrances, gauges, frames or operators.

**For 40kA rotary blade style switches: tank depth = 23" (584mm), tank height = 28" (711mm). Dimensions are approximate and do not include entrances, gauges, frames or operators.

For typical specifications, go to: gwelec.com/specs.html

For contact principle, see page 30 and 31.



Dimensions are approximate.
Do not use for construction.

Three Position Load Break Switches

THREE POSITION, MANUAL TRANSFER

SELECTOR SWITCHES

An integral third close or tie position permits selector switch flexibility for configurations having two or more feeders.

RAD and RAJ Series (Close-Open-Close)

An integral third close position permits selector switching when feeders cannot be paralleled.

RAC and RAL Series (Close-Open-Tie)

An integral third tie position permits selector switching when systems can be paralleled together.

Rotary Puffer (RP) Ratings

See contact principle page for Rotary Blade (SF) ratings.

Maximum design voltage,			
kV	15.5	27	38
Voltage class,			
kV	15	25	35
Impulse level (BIL),			
kV	110	125	150
One minute withstand,			
AC kV	35	60	70
One minute withstand,			
Production test rating			
AC kV	34	40	50
15 minute withstand,			
DC kV	53	78	103
Continuous and load break current,			
Amps	630	630	630
Momentary current,			
kA asym	40	40	40
Fault-close current, (3 times)			
kA asym	32	32	32
One second current			
kA sym	25	25	25
Mechanical endurance,			
operations	2000	2000	2000

For typical specifications, go to:
gwelec.com/specs.html

For contact principle, see pages: 32 and 33.

*Suffix RP = Rotary Puffer, SF = Rotary Blade.

One-line Diagram (Horizontal)	Voltage Class (kV)	Mom. (kA) asym.	Catalog Number*	Approximate	
				Width in. (mm)**	Wt. w/SF ^o lbs (kgs)

RAD/RAJ (MANUAL TRANSFER SWITCHES)

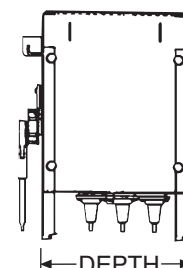
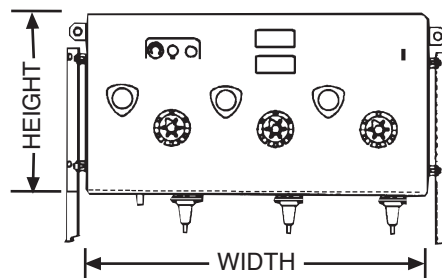
	15	40	RAD31-376M-40RP	34 (864)	900 (409)
		40	RAD31-376M-40SF	37.8 (960)	1000 (483)
	15	40	RAJ42-376M-40RP	54 (1372)	1000 (909)
		40	RAJ42-376M-40SF	55.3 (1405)	1100 (499)

RAC/RAL (MANUAL TRANSFER SWITCHES)

	15	40	RAC33-376M-40RP	54 (1372)	950 (432)
		40	RAC33-376M-40SF	54 (1372)	1025 (466)
	15	40	RAC44-376M-40RP	68 (1727)	1300 (590)
		40	RAC44-376M-40SF	70.3 (1786)	1350 (614)
	15	40	RAC55-376M-40RP	82.9(2083)	1550 (705)
		40	RAC55-376M-40SF	86.5 (2197)	1675 (761)
	15	40	RAC66-376M-40RP	96 (2438)	1800 (818)
		40	RAC66-376M-40SF	103 (2610)	2000 (909)
	15	40	RAL32-376M-40RP	40 (1016)	900 (409)
		40	RAL32-376M-40SF	36 (914)	800 (364)

**For 40kA rotary puffer style switches: tank depth = 25" (635mm), tank height = 27" (686mm). Dimensions are approximate and do not include entrances, gauges, frames or operators.

**For 40kA rotary blade style switches: tank depth = 23" (584mm), tank height = 28" (711mm). Dimensions are approximate and do not include entrances, gauges, frames or operators.



Dimensions are approximate.
Do not use for construction.

Fault Interrupting Switches

VACUUM INTERRUPTERS

G&W Vacuum Interrupters combine the total cost and operating benefits of fuseless, electronically controlled, resettable overcurrent protection with the safety and maintenance benefits of a totally sealed, dead-front SF₆ insulated device. The switches are designed for automatic single or three phase fault interruption with manual load break capabilities for systems through 38kV, 630A continuous.

FI Mechanism

Maximum design voltage,
kV 15.5 27

Voltage class,
kV 15 25

Impulse level (BIL),
kV 110 125

One minute withstand,
AC kV 50 60

One minute withstand,
Production test rating
AC kV 34 40

15 minute withstand,
DC kV 53 78

Continuous and load break current,
Amps 630 630

Symmetrical interrupting rating,
kA 12.5 12.5

VI Mechanism

Maximum design voltage,
kV 15.5 27 38

Voltage class,
kV 15 25 35

Impulse level (BIL),
kV 95 125 150

One minute withstand,
AC kV 50 60 70

One minute withstand,
Production test rating
AC kV 34 40 50

15 minute withstand,
DC kV 53 78 103

Continuous and load break current,
Amps 630 630 630

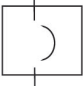

Symmetrical interrupting rating,
kA** 12 12 12

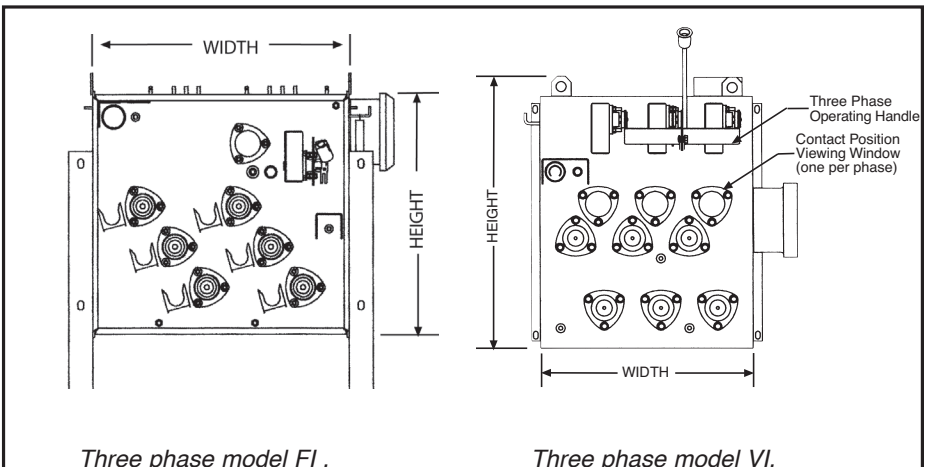
**20kA available

Dimensions are approximate.
Do not use for construction.

Phases	Three-line Diagram	Voltage Class (kV)	Amp	Catalog Number*	Approximate	
					Width in. (mm)†	Wt. w/SF ₆ lbs (kgs)

VACUUM INTERRUPTER SWITCHES

1		15	630	VI20-176-12-4	19 (483)	285 (130)
		25	630	VI20-186-12-4	19 (483)	285 (130)
		35	630	VI20-196-12-4	19 (483)	285 (130)
3		15	630	VPNI20-376-25-4F	45 (1146)	1050 (477)
			630	VPMI20-376-12-4F	38.1 (969)	800 (363)
			630	VPVI20-376-12-4F	50.5 (1283)	1100 (500)
		25	630	VPNI20-386-25-4F	45 (1146)	1050 (477)
			630	VPMI20-386-12-4F	38.1 (969)	800 (363)
			630	VPVI20-386-12-4F	50.5 (1283)	1100 (500)
		35	630	VPNI20-396-12-4F	45 (1146)	1050 (477)
			630	VPVI20-396-12-4F	50.5 (1283)	1100 (500)



NI Mechanism

Maximum design voltage,
kV 15.5 27 38

Voltage class,
kV 15 25 35

Impulse level (BIL),
kV 110 125 150

One minute withstand,
AC kV 50 60 70

One minute withstand,
Production test rating
AC kV 34 40 50

15 minute withstand,
DC kV 53 78 103

Continuous and load break current,
Amps 630 630 630

Symmetrical interrupting rating,
kA 25 25 12.5**

**25kA available

*For 200A models, replace the "6" with "2",
i.e. VI21-172-12-4.

†For Model VI (single phase):

height = 37" (940mm), depth = 33" (838mm).

For Model VI (three phase-15-27kV):
height = 33" (838mm), depth = 15" (381mm).

For Model VI (three phase-38kV):
height = 38" (965mm), depth = 15" (381mm).

For Model FI (three phase): At 15-25kV:
height = 31" (787mm), depth = 22" (559mm).

For typical specifications, go to:
gwelec.com/specs.html

For contact principle, see pages 32 and 33.

Fault Interrupting Switches

TWO POSITION FUSED SWITCHES

For applications requiring current limitation and overcurrent interruption through 50kA symmetrical, air canister style current limiting fusing is available.

CANISTER FUSES

For new orders, integral air insulated, canister style current limiting fusing is available for systems through 23kV. Canister style fused switches feature compact, dead-front construction with mechanical or key interlocking arrangements preventing access to the fuses unless the switch is in the open position. Safe, quick fuse replacement is accomplished using conventional tools and without exposing switch dielectric or current carrying parts to environmental contamination. Two fuses can be connected in parallel to double the capacity rating of the switch. The general purpose fuses are IEEE C37.473.C rated and can interrupt both high and low level fault currents while limiting the available fault current on the system.

SWITCH RATINGS

Maximum design voltage,	
kV	15.5
Voltage class,	
kV	15
Impulse level (BIL)	
kV	110
One minute withstand,	
AC kV	35
One minute withstand,	
Production test rating	
AC kV	34
15 minute withstand,	
DC kV	53
Continuous and load break current,	
Amps	200
Momentary current,	
kA asym	25.6
Fault-close current, (3 times)	
kA asym	25.6
One second current,	
kA sym	16
Operations load interrupting	
endurance at 600A..500	350
Mechanical endurance,	
operations	2000 ... 2000



▲ Canister fuses incorporate a provision for hookstick removal and replacement.

AIR CANISTER FUSE RATINGS

Types of Fuseholders by Voltage Class	Single Holder Fuse Ratings	Parallel Holder Fuse Ratings
8.3kV Max. 95kV BIL	18 to 82 Amp at 4.3kV Max.	90 to 164Amp at 4.3kV Max.
	6 to 72 Amp at 5.5kV Max.	80 to 144Amp at 5.5kV Max.
	1.5 to 40Amp at 8.3kV Max.	50 to 80Amp at 8.3kV Max.
15.5kV Max. 125kV BIL	1.5 to 40Amp at 15.5kV Max.	34 to 80Amp* at 15.5kV Max.
23kV Max. 125kV BIL	6 to 29 Amp at 23kV Max.	30 to 58Amp* at 23kV Max.

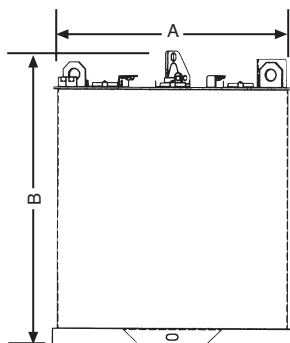
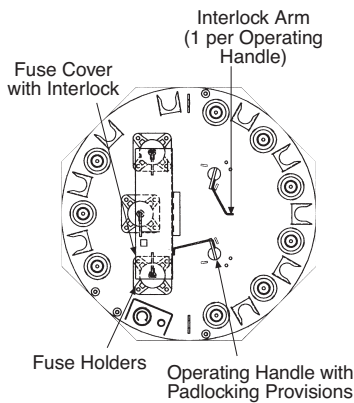
Voltage class measured line-to-ground.

**Fuses rated above 25 Amps are required to be non-gassing fuses.*

Fault Interrupting Switches

Two Position, Fused Rotary Puffer Style Circular Tank Design

G&W's circular tank RP switch incorporates all bushings and operating apparatus on the top of the switch for easy access from above ground if required. Switches are rated through 25kV, 200A. Two way and three way configurations are available for either single, two or three phase applications. Two way and three way configurations are available for either single, two or three phase applications. Single and parallel fuse holders are available.



One-line Diagram	Voltage Class (kV)	No. of \emptyset	No. of Fuses	Catalog Number	Dimensions Inches (mm)		Approx. Wt. w/SF ₆ lbs (kg)
					A	B	

SINGLE FUSE HOLDERS

	4.3, 5.5, or 8.3	1	1	8FRPR1W	29 (737)	31 (787)	160 (73)
		2	2	8FRPR2W	29 (737)	31 (787)	170 (77)
		3	3	8FRPR3W	29 (737)	31 (787)	190 (86)
	15	1	1	15FRPR1W	29 (737)	31 (787)	160 (73)
		2	2	15FRPR2W	29 (737)	31 (787)	170 (77)
		3	3	15FRPR3W	29 (737)	31 (787)	190 (86)
	23	1	1	23FRPR1W	29 (737)	33 (838)	160 (73)
		2	2	23FRPR2W	29 (737)	33 (838)	170 (77)
		3	3	23FRPR3W	29 (737)	33 (838)	180 (82)
	4.3, 5.5, or 8.3	1	1	8FRPRL1W	35 (889)	31 (787)	200 (91)
		2	2	8FRPRL2W	35 (889)	31 (787)	210 (95)
		3	3	8FRPRL3W	35 (889)	31 (787)	220 (100)
	15	1	1	15FRPRL1W	35 (889)	31 (787)	200 (91)
		2	2	15FRPRL2W	35 (889)	31 (787)	210 (95)
		3	3	15FRPRL3W	35 (889)	31 (787)	220 (100)
	23	1	1	23FRPRL1W	35 (889)	33 (838)	200 (91)
		2	2	23FRPRL2W	35 (889)	33 (838)	210 (95)
		3	3	23FRPRL3W	35 (889)	33 (838)	220 (100)

PARALLEL FUSE HOLDERS

	4.3, 5.5, or 8.3	1	2	8FFRPR1W	35 (889)	31 (787)	200 (91)
		2	4	8FFRPR2W	35 (889)	31 (787)	210 (95)
		3	6	8FFRPR3W	35 (889)	31 (787)	220 (100)
	15	1	2	15FFRPR1W	35 (889)	31 (787)	200 (91)
		2	4	15FFRPR2W	35 (889)	31 (787)	210 (95)
		3	6	15FFRPR3W	35 (889)	31 (787)	220 (100)
	23	1	2	23FFRPR1W	35 (889)	33 (838)	200 (91)
		2	4	23FFRPR2W	35 (889)	33 (838)	210 (95)
		3	6	23FFRPR3W	35 (889)	33 (838)	220 (100)

For typical specifications, go to: gwelec.com/specs.html

For contact principle, see page 28.

*Dimensions are approximate.
Do not use for construction.*

Fault Interrupting Switches

TWO POSITION, FUSED LINEAR PUFFER AND ROTARY BLADE STYLE Rectangular Tank Design

G&W's rectangular tank linear puffer (PI) and rotary blade (SF) switches are available in two-way through six-way configurations. Bushings and operating apparatus can be front, top, bottom or side mounted. Wall mounting channels and various frame options are available.



▲ Switch with front mounted fusing.

For typical specifications, go to:
gwelec.com/specs.html

Ratings for linear puffer (PI) and rotary blade (SF) switches are the same. See contact principle page for SF ratings. For contact principle, see page 29 and 31.

*Catalog number suffix: PI = Linear Puffer, SF = Rotary Blade

For PI switches, optional 6-1/2" phase spacing (SRA style) is available and will increase tank depth by three inches.

**For PI switches: tank depth = 26" (584mm), tank height = 28" (711mm). Dimensions are approximate and do not include entrances, gauges, frames, operators or mounting channels.

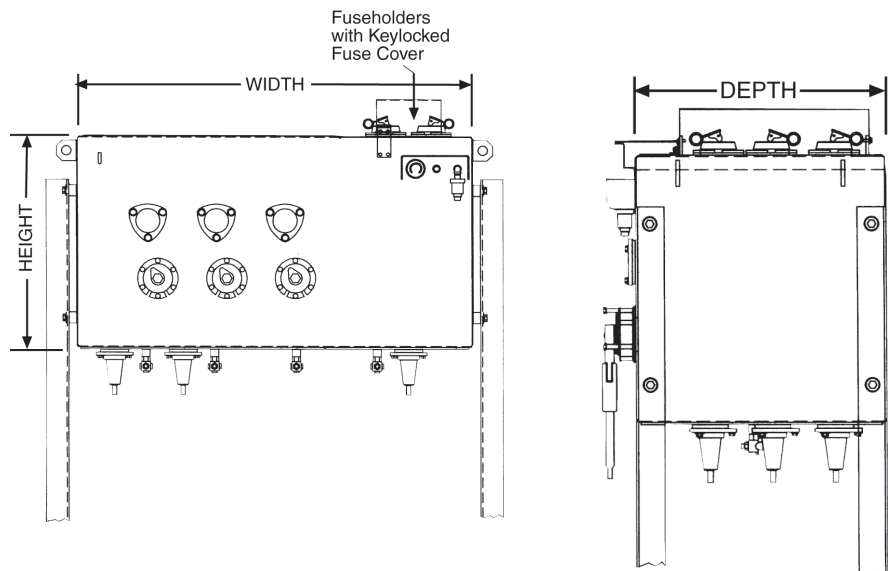
**For SF switches: tank depth = 26" (660mm), tank height = 28" (711mm). Dimensions are approximate and do not include entrances, gauges, frames, operators or mounting channels.

One-line Diagram	Voltage Class	Switch Style	Catalog Number*	Amp A	Width in. (mm)**	Wt. w/SF ₆ lbs. (kgs)
------------------	---------------	--------------	-----------------	-------	------------------	----------------------------------

FRAM / FGRAM / FRAD SERIES (TYPICAL CONFIGURATIONS)

	15	PI	FRAM21-376M-40PI	40	26.2 (667)	600 (273)
	15	PI	FRAM33-376M-40PI	40	47.5 (1207)	850 (386)
		PI	FFRAM33-376M-40PI	80	52 (1321)	725 (330)
	15	PI	2FRAM33-376E-40PI	80	61.5 (1562)	970 (440)
	15	SF	FGRAM33-376M-40SF	40	69.5 (1765)	1550 (704)
		SF	FFGRAM33-376M-40SF	80	72.5 (1842)	1600 (727)
	15	PI	2FFRAM33-376M-40PI	80	80.5 (2045)	1750 (795)
	15	PI	2FFRAM44-376M-40PI	80	79.5 (2016)	1700 (773)
	15	SF	2FFGRAM44-376M-40SF	80	105 (2667)	2000 (907)
		SF	FFGRAM55-376M-40PI	80	67.5 (1715)	1500 (682)
	15	SF	FFRAD31-376-40SF	80	51 (1295)	1000 (454)

▲ Horizontal and vertical styles are available.



▲ Horizontal style with top mounted fusing.

Dimensions are approximate.
Do not use for construction.

Contact Principals

MODEL FI AND NI VACUUM INTERRUPTER MECHANISM PRINCIPLE

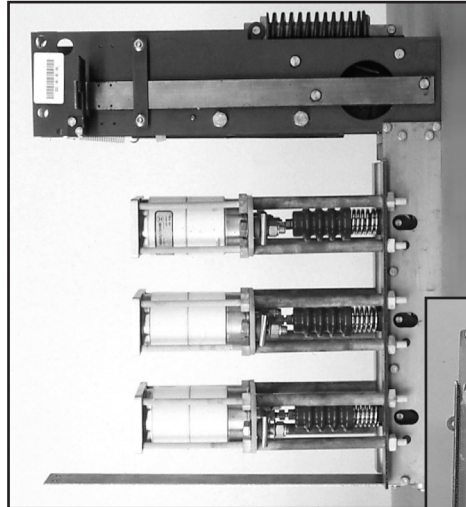
Add to appropriate switch specifications.

Ratings for FI modules available through 25kV, with 12.5kA symmetric interrupting. Ratings for NI modules available through 35kV, with 12.5kA, 20kA and 25kA symmetric interrupting.

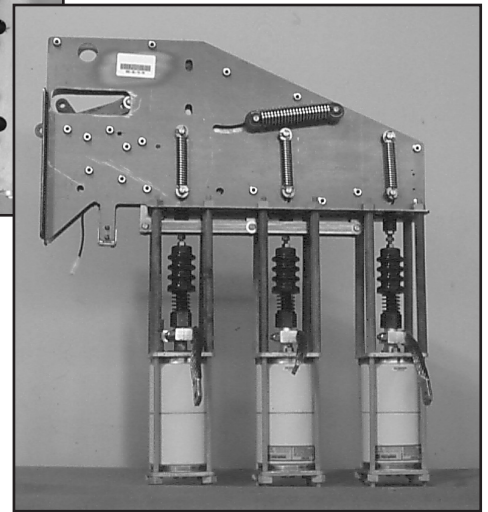
The model FI and NI vacuum interrupters consist of three vacuum bottles mechanically linked to a single spring-assisted operating mechanism. Once initiated, the interrupting time of the vacuum bottles is approximately 3 cycles (50 millisecond). A position indicator (open-green, closed-red) driven by the operating mechanism and is visible through a viewing window for positive contact position. The mechanical linkage assembly provides a “trip-free” operation permitting the vacuum interrupter to interrupt independent of the operating handle if closing into a faulted circuit.

The control monitors the current on each phase and activates a trip solenoid to open the three vacuum bottles if an overcurrent on any phase is sensed. The control is self-powered by current transformers mounted inside the sealed switch tank. No external power source is required. Load current is required for the control to be activated unless the optional remote power feature is specified. The trip selector is used to select the time-current response curve for the tap circuits. The time-current response curves are chosen with the phase selector switches on the face plate of the control. Selection of time-current characteristics may be made under load or no-load conditions with continuous current ranges in twelve selectable levels.

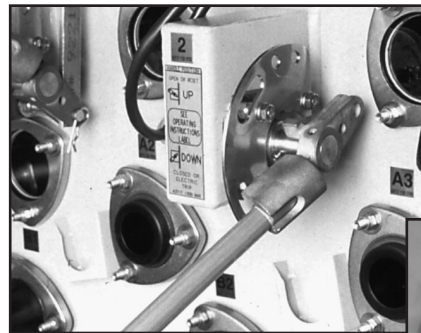
The manual trip and reset of the vacuum interrupter is accomplished through a single handle operating all three phases simultaneously.



◀ Model FI three phase mechanism.



Model NI three phase mechanism. ▶



◀ Three phase interrupter operating handle for manual three phase operation and reset.

Motor actuators (below) can be added for remote operation.



▲ Position indicators provide visible verification of contact position through viewing windows. ▶



Motor actuators can be provided. Optional push-button on the controls also permit manual tripping.

Contact Principles

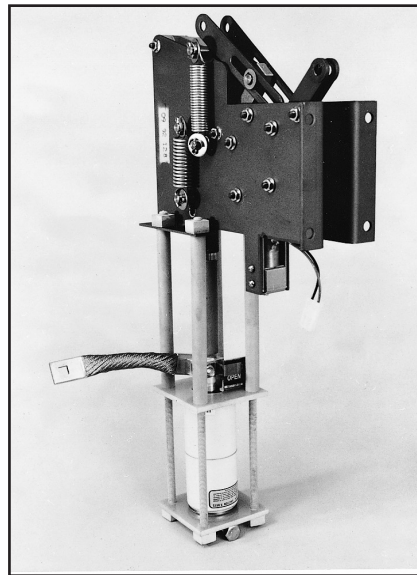
MODEL VI VACUUM INTERRUPTER MECHANISM PRINCIPLE

Add to appropriate switch specifications.

Ratings available through 35kV, with 12kA interrupting with an option for 20kA. Mechanisms are field retrofittable between single phase and three phase operation.

For single phase operation, the model VI vacuum interrupter consists of a single vacuum bottle mechanically linked to a spring-assisted operating mechanism. For three phase operation, the single phase mechanisms are mechanically linked together with an external operating handle assembly. These mechanisms are field retrofittable between single phase and three phase operation. In both cases, once initiated, the interrupting time of the vacuum bottles is approximately 3 cycles (50 millisecond). A position indicator (open-green, closed-red) is mounted to the moving contact and is visible through a viewing window for positive contact position. The mechanical linkage assembly provides a "trip-free" operation permitting the vacuum interrupter to interrupt independent of the operating handle if closing into a faulted circuit.

The control monitors the current on each phase and activates a trip solenoid to open one or all three vacuum interrupters if an overcurrent on any phase is sensed. The control is self-powered by current transformers mounted inside the sealed switch tank. No external power source is required. Load current is required for the control to be activated unless the optional remote power feature is specified. The trip selector is used to select the time-current response curve for the tap circuits. Factory setting for single or three phase tripping is standard.



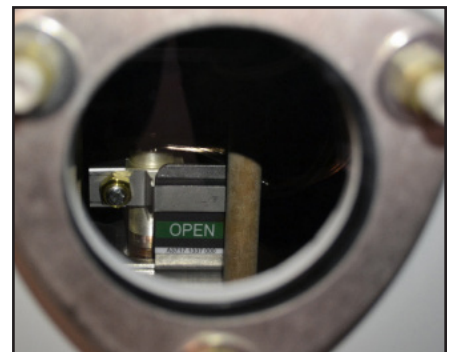
◀ Single phase VI mechanism.



Photos below: Interrupter operating handles for manual single phase (below) or three phase (left) operation and reset. Motor actuators can be added to three phase for remote operation.



Position indicators (right) provide ▶ contact position indication through viewing windows.



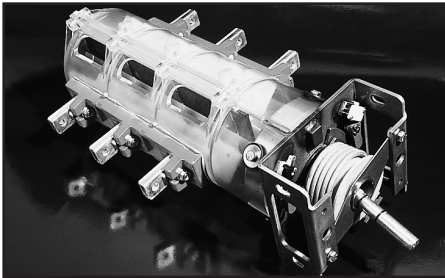
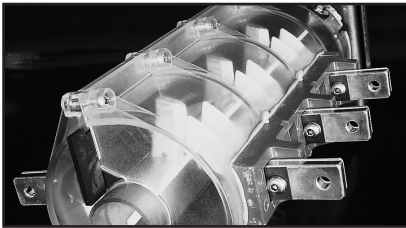
The time-current response curves are chosen with the phase selector switches on the face plate of the control. Selection of time-current characteristics may be made under load or no-load conditions with continuous current ranges in twelve selectable levels.

The manual trip and reset of the vacuum interrupter is accomplished through an operating handle. Motor actuators can be provided for remote control. Optional push-button on the control also permits manual tripping.

Contact Principles

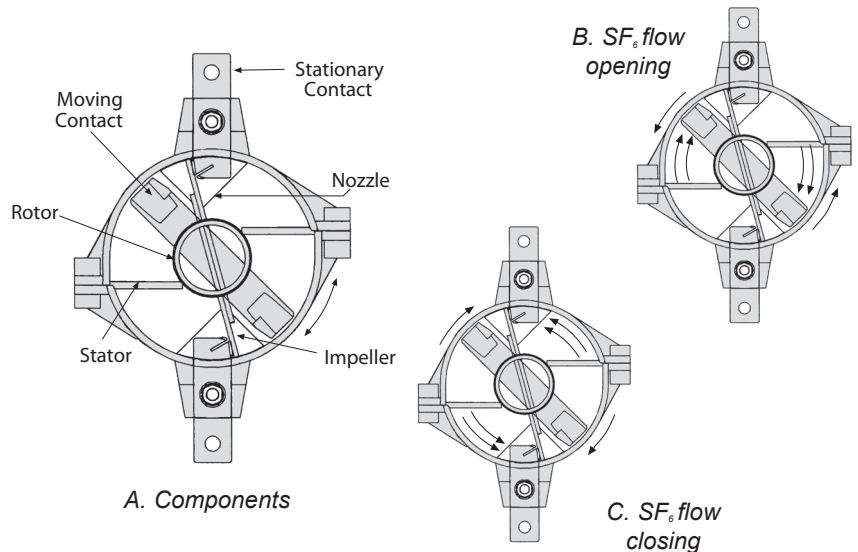
Two Position, Rotary Puffer Style

G&W's patented Rotary Puffer (RP) style, two-position switches are ideal for manual load break switching, automatic transfer or automated sectionalizing applications rated through 25kV, 630A continuous. This module allows for the smallest switch footprint. Switches are tested to 500 loadbreak operations at 15kV and 350 operations at 25kV. Switches also tested to 2000 mechanical operations. Current limiting fuses or electronically controlled vacuum interrupters can be added for overcurrent protection. G&W's RP style contact system provides extremely efficient, high speed arc extinction for maximum service life.



▲ Two position rotary puffer mechanism.

Two Position, Rotary Puffer Contact Principle



A. The stationary contacts and the multi-chamber rotor (an assembly of interlocking parts which form a rotational framework including moving contacts) are housed in a clear cylindrical shell. The stationary contacts are supported independent of the cable entrance bushings, eliminating possible misalignment resulting from tank deflections. Tank deflections are caused by normal tank pressure variance due to ambient temperature fluctuations. Each rotating contact simultaneously disengages from two stationary contacts, providing two break points per phase. This provides improved interrupting capability as compared to single break contact systems.

B. As the rotor tube assembly turns to disengage the moving contact from the stationary contacts, dielectric media (SF_6 gas) is compressed between the impeller and stator. The shell, phase barrier and rotor tube also act to confine the gas for proper compression and flow. The compressed SF_6 gas is directed through the nozzle into the arc zone. The SF_6 flows (is puffed) across the contacts and around the arc established by the separating contacts, cooling the arc over the length of the nozzle. The cooling action is increased by the higher pressure (due to compression) and the flow of gas which constantly provides a supply of cool SF_6 into the arc zone.

At current zero, the temperature of the arc is reduced to the point of deionization. The SF_6 gas rapidly recovers dielectric strength withstanding the system recovery voltage and preventing re-ignition of current across the contacts.

C. As the rotor tube assembly turns to engage the moving contact with the stationary contacts, the impeller induces a flow of SF_6 gas between the contacts to minimize pre-strike.

Contact Principles

TWO POSITION, LINEAR PUFFER STYLE

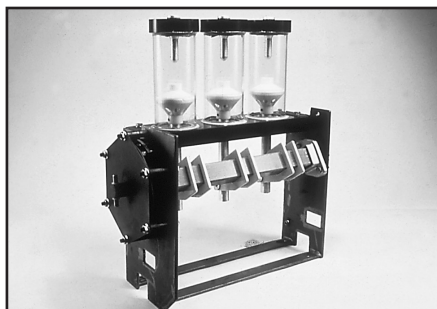
G&W's patented Linear Puffer (LP) style, two-position switches are ideal for heavy duty manual load break switching, automatic transfer or automated sectionalizing applications rated through 35kV, 900A continuous and 40kA asymmetrical short circuit. Switches are tested to 1200 loadbreak and 2000 mechanical operations. Current limiting fuses or electronically controlled vacuum interrupters can be added for overcurrent protection. G&W's LP style contact system provides extremely efficient, high speed arc extinction for maximum service life.

Stored Energy Mechanism

Linear puffer switches can be supplied with internal stored energy (cock and trip) mechanisms for both the open and close operators permitting high speed local or remote operation. A separate external trip handle is provided. An optional internal solenoid permits remote operation.

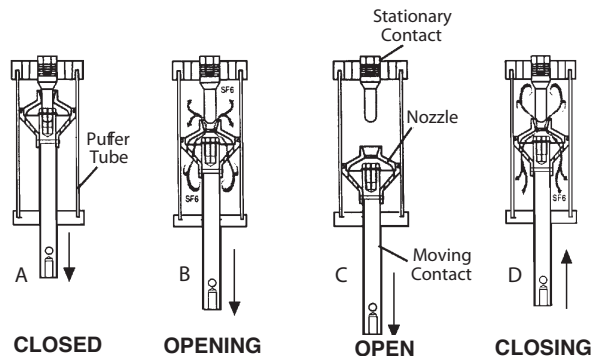


▲ Three phase visible position of contacts.



▲ Three phase linear puffer mechanism.

TWO POSITION, LINEAR PUFFER CONTACT PRINCIPLE



CLOSED OPENING OPEN CLOSING

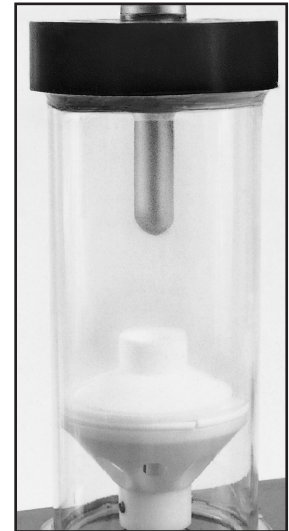
A. The stationary contact and piston assembly (containing the moving contact and nozzle) are housed in clear cylindrical tubes. These are mounted in a modular three-phase assembly which is independent of the switch tank. The stationary contacts are supported independent of the cable entrance bushings, eliminating possible misalignment resulting from tank deflections.

Tank deflections are caused by normal tank pressure variance due to ambient temperature fluctuations. This construction eliminates contact alignment difficulties caused by deflections of the switch tank walls. The modular construction also allows testing of the module during assembly and complete flexibility in switch design and configuration. The nozzle which directs the flow of SF₆ has a converging/diverging geometry (see photo) which improves the arc interruption capability over designs using straight throated nozzles. The converging portion of the nozzle has a constantly decreasing flow area up to the nozzle throat minimizing velocity changes in the flow of SF₆ gas, while improving arc interruption and dielectric recovery.

B. As the contacts separate, the SF₆ is compressed by the piston assembly and directed into the arc zone by the nozzle. The compressed SF₆ flows (is puffed) across the contacts and around the arc established by the separating contacts. The cooling action of the gas is increased by the higher pressure (due to compression) and the flow which constantly provides a supply of cool SF₆ into the arc zone.

C. At current zero the temperature of the arc is reduced to the point of deionization, ceasing the flow of current. The SF₆ rapidly recovers dielectric strength withstanding the system recovery voltage across the contacts.

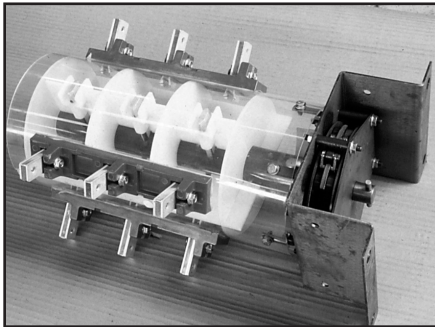
D. As the contacts are closing, the piston assembly compresses the SF₆ between the contacts. This increases the dielectric strength of the gap, minimizing prestrike. The contacts are designed using a tulip bayonet construction (see photo). The sliding action of the contacts on engagement provides a self cleaning action of the main current carrying surfaces. The contact fingers are designed for increasing contact pressure with increasing current for proper operation during momentary or close-into-fault conditions. The contacts have arc resistant copper tungsten tips to minimize erosion of material during load switching and prevent damage to the main current transfer area of the contacts.



Contact Principles

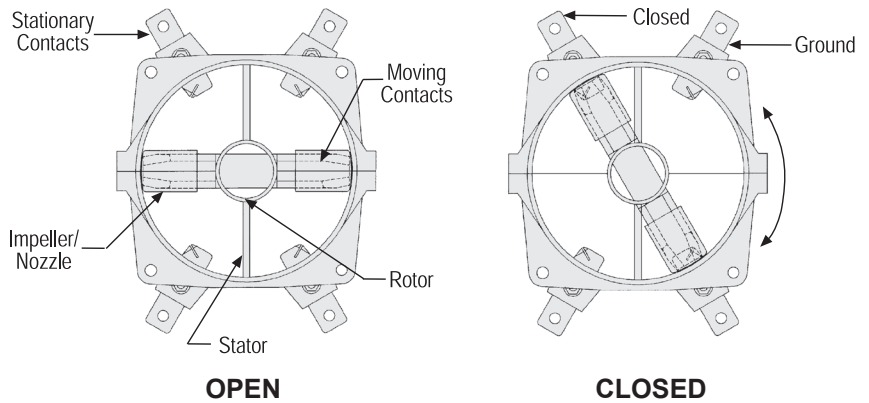
THREE POSITION, ROTARY PUFFER STYLE

For systems through 35kV, 630A continuous current with 40kA asym. momentary, 32kA asym. close into fault, and 25kA sym. one second current; rotary puffer (RP) style switches are used. G&W's multi-position spring operator permits an integral third switching position to increase the application capability over conventional two position switches. Three position switches combine increased switching flexibility with compact construction.



▲ Three position rotary puffer mechanism.

THREE POSITION, ROTARY PUFFER CONTACT PRINCIPLE



A. The stationary contacts and the multi-chamber rotor (an assembly of interlocking parts which form a rotational framework including moving contacts) are housed in a clear cylindrical shell. The stationary contacts are supported independent of the cable entrance bushings, eliminating possible misalignment resulting from tank deflections. Tank deflections are caused by normal tank pressure variance due to ambient temperature fluctuations. Each rotating contact simultaneously disengages from two stationary contacts, providing two break points per phase. This provides improved interrupting capability as compared to single break contact systems.

B. As the rotor tube assembly turns to disengage the moving contact from the stationary contacts, dielectric media (SF_6 gas) is compressed between the impeller and stator. The shell, phase barrier and rotor tube also act to confine the gas for proper compression and flow. The compressed SF_6 gas is directed through the nozzle into the arc zone. The SF_6 flows (is puffed) across the contacts and around the arc established by the separating contacts, cooling the arc over the length of the nozzle. The cooling action is increased by the higher pressure (due to compression) and the flow of gas which constantly provides a supply of cool SF_6 into the arc zone.

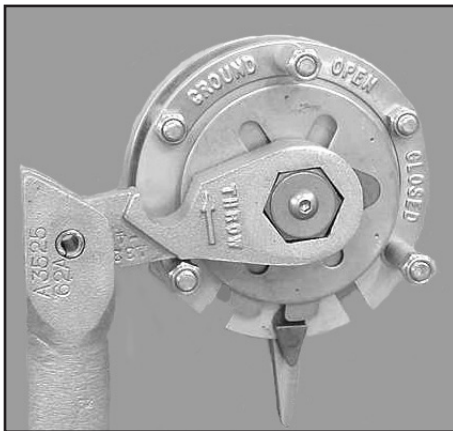
C. At current zero, the temperature of the arc is reduced to the point of deionization. The SF_6 gas rapidly recovers dielectric strength withstanding the system recovery voltage and preventing re-ignition of current across the contacts.

D. As the rotor tube assembly turns to engage the moving contact with the stationary contacts, the impeller induces a flow of SF_6 gas between the contacts to minimize pre-strike.

Contact Principles

THREE POSITION, ROTARY BLADE STYLE

For heavy duty systems through 25kV, 600A continuous and up to 40kA short circuit, rotary blade style switches are used. Switches are tested to 1200 load break and 2000 mechanical operations.



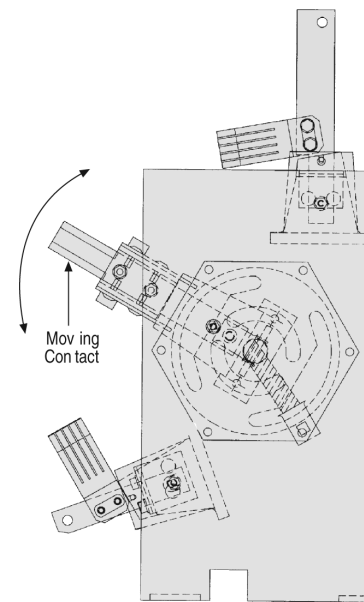
▲ Close up of the switch operator and breakaway handle for a third ground position switch.

Load break switch (SF) ratings

Maximum design voltage,		
kV	15.5	27
Voltage class,		
kV	15	25
Impulse level (BIL),		
kV	110	125
One minute withstand,		
AC kV	35	60
One minute withstand,		
Production test rating		
AC kV	34	40
15 minute withstand,		
DC kV	53	78
Continuous and load break current,		
Amps	630	630
Momentary current,		
kA asym	40	40
Fault-close current, (3 times)		
kA asym	40	40
One second current,		
kA sym	25	25
Open gap withstand,		
kV	200	200
10 operation overload interrupting		
capability,		
Amps	3000	3000
Operations load interrupting		
at 600A	1200	1200
Mechanical endurance,		
operations	2000	2000

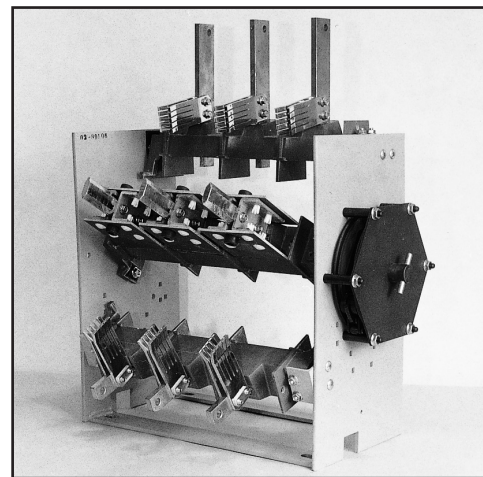
THREE POSITION, ROTARY BLADE CONTACT PRINCIPLE

G&W's rotary blade contact system permits three position switching capability within a single compact switch. The rotary blade contact system is modular in design and capable of alignment checks and bench testing prior to placement in the switch tank. The switching module is connected to the external operating shaft by means of a sliding coupling. The coupling provides the module with mechanical freedom from the tank walls thereby reducing stress or misalignment due to changing pressure conditions and subsequent deflection of the tank walls.



The switching mechanism is a compression spring operated device which latches in both the open and closed positions to ensure proper contact opening during interruption and closing under normal or fault conditions. The speed of the contacts is independent of the movement of personnel or devices externally operating the switch.

The rotary blade contact system is comprised of plated copper moving contact blades which mate with plated beryllium copper stationary finger contacts. The moving blade is mounted on a molded rocker arm and is connected to either a bus bar or entrance bushing using flexible wire rope. The stationary contacts are supported independent of the cable entrance bushings, eliminating possible misalignment resulting from tank deflections. Tank deflections are caused by normal tank pressure variance due to ambient temperature fluctuations. Reinforced flaps mounted to each moving contact blade forces SF₆ gas into the arc zone for more efficient interruption. The flexible rope removes the necessity of critical contact alignments.



SWITCH REMOTE CONTROL PACKAGES

For electrical remote operation, motor actuators can be added. Various control packages are available:

- Single way controls.

Either stationary or portable. Powered by 120 or 240VAC or up to 125VDC. AC powered controls are available with or without battery backup.

- Multi-way controls

Switch controls, such as Schweitzer's SEL 451, are available for applications requiring one control to operate numerous switch ways on one switch or numerous switches from one control.

LAZER® AUTOMATION

G&W's Lazer distribution automation system is a pre-engineered control package that works in conjunction with power distribution switchgear to perform automatic switching operations on overhead and underground loop distribution circuits. G&W utilizes over 100 years of industry experience to match the proper switchgear with the proper control for the application. Lazer solutions are available using the customer's preferred relay brand.

Lazer is a protection and control package that features one or more protective relays, equipped with distributed capabilities and peer-to-peer communication to make intelligent operating decisions and to monitor field conditions. Lazer focuses on critical load installations to maximize service reliability.

G&W's Lazer automation system specifically addresses fault detection, isolation and restoration (FDIR) requirements. It continuously monitors the circuit. When it senses



▲ Vault switch with SEL controls.

an electrical overload or short circuit fault within its protection zone, it issues a command to the appropriate switchgear to trip-open within a pre-determined time delay based on the severity of the fault.

Communication with other upstream and downstream Lazer devices function continually to determine what other actions are required to reconfigure the circuits to automatically restore power to customers connected to the unfaulted lines. The entire process from fault detection to system restoration can typically be completed within 60 seconds or less.

Communications

Flexible communication and open protocols are critical for integrating to existing Smart Grids and expanding to handle future needs. Lazer solutions offer flexible communication using hardwired connections, fiber optic cable, or a range of wireless technologies on RS232, RS485, and Ethernet ports. Some of the different protocols available are:

- DNP 3.0
- SEL Mirrored Bits® (proprietary)
- IEC61850 with GOOSE messaging

Project Examples

- Distributed automatic transfer including reclosers and SEL-451 controls over fiber optic cable.
- Open Loop FDIR including switches, ABB REC670 relays and ABB RTU560 HMI.
- Closed Loop FDIR including switches, SEL-351s and Survalent software.
- Open Loop Upgrade including switches, SEL-451 and SEL-751A over fiber optic.
- High Speed Single Phase Tripping Closed Loop including reclosers and SEL-651R over fiber optic cable.

AUTOMATIC TRANSFER

ATC 451

G&W ATC 451 automatic transfer controls are available for G&W SF₆ gas switchgear through 38kV. Switches can be dry or submersible vault, padmount or pole mount styles. The two incoming source ways can be located in one switch, or in two separate switches for added redundancy. Manual switches can be retrofitted in the field. Standard transfer times are within 8-10 seconds.

Features

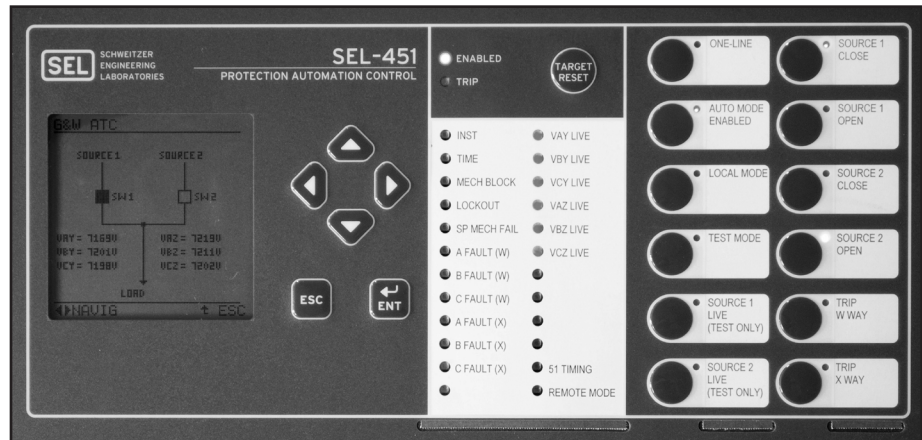
Uses SEL 451 relay - G&W's ATC 451 control utilizes the field proven Schweitzer SEL 451 relay for its protection logic and programming scheme.

Plug and play construction - The ATC 451 is pre-programmed and packaged with all required components to simplify installation and maximize reliable performance. Various styles of NEMA enclosures are available depending on the application.

Overcurrent protection for two fault interrupting ways - The ATC 451 can eliminate the need for separate vacuum interrupter controls. Depending on user preference and system protection schemes, various styles of separate interrupter controls are available.

SCADA ready - Each ATC 451 comes standard with several serial ports for communication to SCADA systems. Multiple protocols are available including DNP3.0 (standard), Mirrored Bits (standard), and IEC 61850 (option). Ethernet or fiber optic ports for communications are also available options.

Lazer[®] ready - The SCADA ready capability simplifies the requirements



▲ ATC 451 control panel.

for communication to other intelligent field devices for automatic power restoration schemes. This simplifies the integration of the ATC into any G&W pre-engineered Lazer automation system where automatic transfer is required.

Generator source capability - The 451 can be programmed to permit a standby generator to be used instead of a second utility source.

Bus tie configurations - The ATC 451 can be used with a bus-tie switch permitting automatic transfer where the load is normally balanced between two sources.

User friendly controls - Large pushbuttons are clearly labeled and provide easy control commands from the front panel.

Sequence of event recorder - Each ATC 451 includes a Sequence of Events Recorder which will record the last 1000 entries, including setting changes, powerups, and selectable logic elements.

Flexible voltage sensing options - Integral voltage sensing bushings are available which eliminate the need for cumbersome add-on devices. The bushings are 600A rated, fully submersible, and provide one analog output per phase and

one digital output per way for voltage monitoring (when using amplification circuitry). Elbow mounted sensors and potential transformers are also available.

Faster Transfer Speed Options

Switches can be provided with internal cock-and-trip (stored energy) mechanisms permitting transfer times within 15-20 cycles. These switches incorporate an external, hookstick operable handle permitting manual open or close without having to disconnect the motor actuator. Contact G&W if faster transfer times are required.

Accessories and Options

G&W VACUUM INTERRUPTER CONTROLS

The control monitors the current, sends a trip signal which opens the vacuum interrupters and interrupts the fault current. G&W controls are self-powered from the current transformers located inside the solid dielectric module. Controls can be equipped to accept a trip input from a relay or communication device. G&W also offers other controls, such as SEL relays, depending on the application.

The standard control enclosure for padmount applications is fiberglass NEMA 4X (IP56) rated. For vault and subsurface applications, G&W recommends the Type 7 control. The Type 7 is mounted within the switch's mechanism housing and has an IP68 rating for long term submersion.

G&W CONTROL OPTIONS



▲ Type 1 control

Type 1 controls operate three, single phase vacuum interrupting mechanisms. The Type 1 control can be field set for either single phase or three phase trip mode. It is used on switches with either single phase reset or three phase reset handles. When in the three phase mode, all three phases trip if the selected trip level of any individual phase is reached. Trip level selections can be made under load or no-load conditions with 12 selectable minimum trip settings. Two ranges of minimum trip settings are available, 15 to 300 Amps and 30 to 600 Amps. Each unit is pre-programmed with 30 user selectable Time Current Characteristic (TCC) curves. The curve selection can be set or changed while the switch is energized.

An 8 pole dip switch allows the user to choose the TCC that best matches their individual coordination requirements. A label provides a key for the dip switch settings. The control can be factory preset to meet the user's requirements. As protection or coordination requirements

change, settings can easily be changed while the switch is energized. Pressing the manual trip button when the control is powered, electronically trips all three phases of the vacuum interrupter. Each control also includes "Last Cause of Trip" LEDs. These LEDs indicate which phase experienced an overcurrent condition, or that the control was given an external or manual trip command.



▲ Type 2 control

Type 2 controls provide a user friendly interface for quick and easy programming. Trip level selections can be made under load or no-load conditions with current ranges in 12 selectable levels. Two ranges of minimum trip settings are available, 15 to 300 amps and 30 to 600 amps. Each unit is pre-programmed with 30 Time Current Characteristic (TCC) curves. The curve selection can be set or changed at any time.

An 8 pole dip switch allows the user to choose the TCC curve which best matches their specific coordination requirements. The control can be factory preset to meet the user's requirements. As protection or coordination requirements change, settings can easily be changed in the field. Pressing the manual trip button when the control is powered up trips all three phases of the vacuum interrupter. Each control also includes "Last Cause of Trip" LEDs. These LEDs indicate what caused the control to issue a trip command - an over current condition, Ground Fault, Instantaneous, or an external or manual trip command.

Type 2 controls offer the following features:

- Three phase protection
- Minimum trip setting for all three phases with one selector switch
- Adjustable phase time delay
- Ground fault (phase imbalance) for protection of large three phase motors or transformers. The ground trip setting is represented as a percent of the minimum trip setting.
- Instantaneous trip and inrush restraint features

Accessories and Options



▲ Type 3 control

Type 3 and 4 controls provide advanced protection functions. There are two versions of these controls, each with different protection elements.

The EZset version includes:

- Phase Minimum Trip
- Phase Time Delay
- Phase Instantaneous
- Phase Minimum Response
- Phase Inrush (Cold Load Pickup) Restraint
- Ground Fault (Phase Imbalance) Minimum Trip with a Separate Curve
- 30 Phase/Ground Fault Curve selectors

The Plus version includes all of the above, and in addition includes:

- Ground Fault Time Delay
- Ground Fault Instantaneous
- Ground Fault Minimum Response
- Ground Fault Inrush (Cold Load Pickup) Restraint
- 60 Phase/ Ground Fault Curves including 5 User Creatable Curves
- Maintenance Setting Group

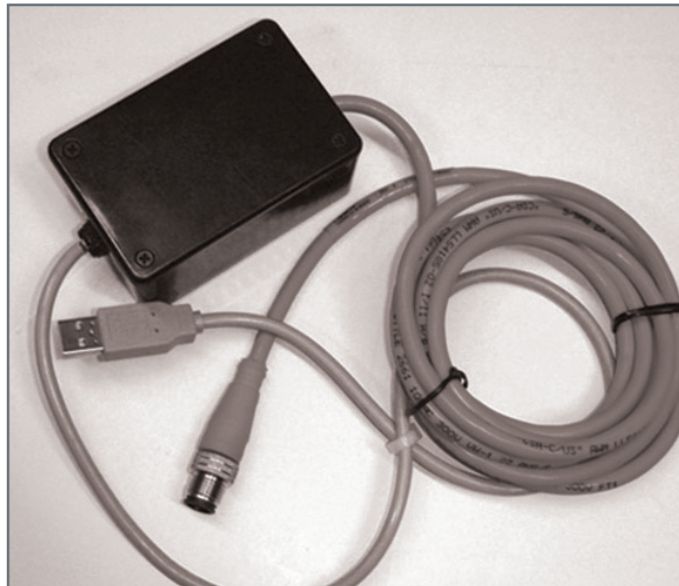
The Type 3 and 4 controls record the 16 most recent Cause of Trip Events. The Type 3 EZset includes a display and keypad for entering programming parameters and viewing the Cause of Trip Events. The Type 3 Plus, and Type 4 EZset and Plus utilize a laptop programming kit to enter the settings. The laptop programming kit can also be used to download and store the settings and Cause of Trip Events.

PROGRAMMING KIT

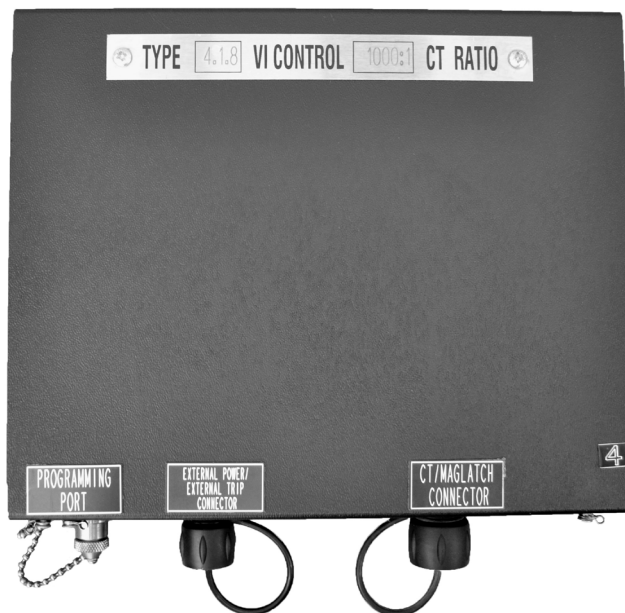
For Type 3 or Type 4

Provides software and cable connection to a laptop computer for programming or retrieving vacuum interrupter control information. The cable connects the USB port of the computer to the Vacuum Interrupter Control (Type 3 or 4)

Catalog Number for
Type 3 or Type 4 *LPK7-VICSS*



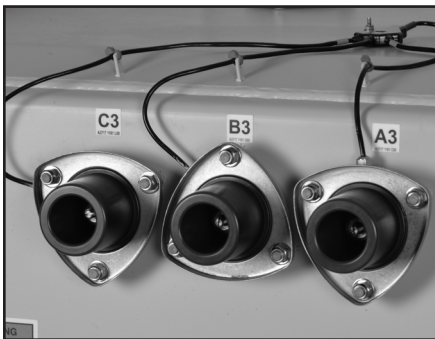
▲ Programming Kit



▲ Type 4.1 control in IP68 rated enclosure



▲ 600A voltage sensing bushings



▲ 200A voltage sensing bushings

3-1/C, 600A OR 200A VOLTAGE SENSING BUSHINGS

G&W's Voltage Sensing Bushing (VSB) system is a temperature compensated, built-in, voltage measuring system that eliminates the need for PTs when analog phase to ground voltage monitoring is required. Compared to potential transformers, the VS bushing system offers these benefits:

- Significant cost savings
- Cleaner, less cumbersome installation
- Less space required
- Fewer add-on components which could potentially fail
- Installed and tested prior to shipment
- Can be field calibrated

The VS bushing system utilizes a capacitively coupled screen which is embedded within the epoxy bushing. The low energy output of the screen can be directly read by some relays. Alternatively, the output is amplified by integral circuitry, resulting in a 0-120 VAC analog output suitable for direct connection to any relay, IED or RTU. The circuitry incorporates built-in calibration and temperature compensation which improve accuracy.

600A Voltage Sensing Bushings

Bushings are designed to IEEE 386 standards with standard interface accepting conventional elbow style connectors and include an aluminum conductor with 5/8"-11 aluminum threaded stud and aluminum single hole pad (**elbows must be ordered separately**). Bushings are bolt-on style. Copper studs are available. For bottom entry switches, recommended switch frame height is 42" for all voltages.

200A Voltage Sensing Bushings

Bushings are designed to IEEE 386 standards with standard interface accepting deadbreak or loadbreak inserts and conventional elbow connectors (**inserts and elbows must be ordered separately**). A copper conductor is standard. For bottom entry switches, recommended switch frame height is 42" for all voltages.

SPECIFICATIONS

General Ratings

Use on: Grounded wye systems
 Operating temperature: -40°C to +65°C
 Storage temperature: -50°C to +65°C

Input Ratings

Input voltage range (phase to ground) options:
 Low Energy: 1.2 - 4.61 or 4.62 - 21.9kV
 Amplified: 1.7 - 6.2 or 6.2 - 21.9
 Frequency range: 48Hz - 61.2Hz

Output Ratings

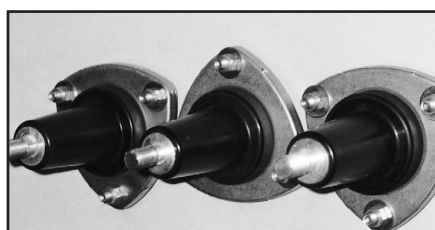
Low Energy output voltage: 8 VAC
 Low Energy Relay Input Impedance: 1M Ω
 Nominal amplified output voltage: 120 VAC with digital output contact (1 per 3 phase set)
 Digital pick-up voltage:
 90% of Vnom (on all phases)
 Digital drop-off voltage:
 75% of Vnom (on any phase)
 Maximum burden (per output):
 0.06VA
 Low Energy accuracy:
 +/- 4% from -40°C to 65°C
 (+/- 2% from -20°C to 65°C)
 Amplified accuracy: +/- 5% from -40°C to 65°C



3-1/C, 600A QUIK-CHANGE APPARATUS BUSHINGS

Cable entrance bushings can be damaged at any time due to improper handling, accidental shifting during shipment, elbow failure or even normal wear and tear. In the case of SF₆ gas insulated switches where the tank is totally welded, conventional bushing replacement means sending the switch back to the factory for repair. G&W's exclusive Quik-Change Disconnectable Bushing permits quick, easy field replacement without having to open the switch tank.

Bushings are designed to IEEE 386 standards with standard interface accepting conventional elbow style connectors and include an aluminum conductor with 5/8"-11 aluminum threaded stud and aluminum single hole pad (**elbows must be ordered separately**). Copper studs are available. For bottom entry switches, recommended switch frame height is 42" for all voltages.



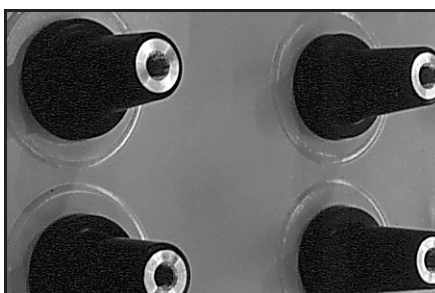
3-1/C, 600A / 900A APPARATUS BUSHINGS

Bushings are designed to IEEE 386 standards with standard interface accepting conventional elbow style connectors and include an aluminum conductor with 5/8"-11 aluminum threaded stud and aluminum single hole pad for a 600A rating (**elbows must be ordered separately**). A copper conductor is available which extends the continuous current rating to 900A. For bottom entry switches, recommended switch frame height is 42" for all voltages. Welded flange bushings are available.



3-1/C, 200A DEEPWELL BUSHINGS

Bushings are designed to IEEE 386 standards with standard interface accepting deadbreak or loadbreak inserts and conventional elbow connectors (**inserts and elbows must be ordered separately**). A copper conductor is standard. For bottom entry switches, recommended switch frame height is 42" for all voltages. Welded flange bushings are available.



3-1/C, 600A APPARATUS BUSHINGS

Welded Flange style

Bushings are designed to IEEE 386 standards with standard interface accepting conventional elbow style connectors. Bushings include a stainless steel flange and an aluminum conductor with 5/8"-11 aluminum threaded stud. **Elbows must be ordered separately**. 200A deepwell welded flange bushings are also available.

Accessories and Options



3-1/C, 600A OPEN STUD BUSHINGS

Open stud bushings are furnished standard with 3/4"-16 threaded copper stud connectors and require G&W air termination kits (G&W air termination kits must be ordered separately. See below). For bottom entry switches, recommended switch frame height is 42" for all voltages where this bushing is used. If other than G&W termination kits are used, a NEMA 2-hole pad must be specified. See note below.

NOTE: 1. Bushings are also available with NEMA 2-hole pad. G&W air termination kits must be purchased separately. See below.

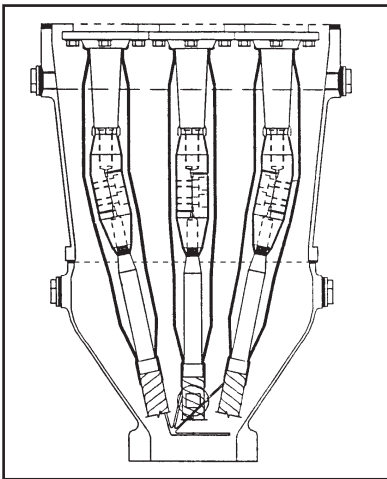
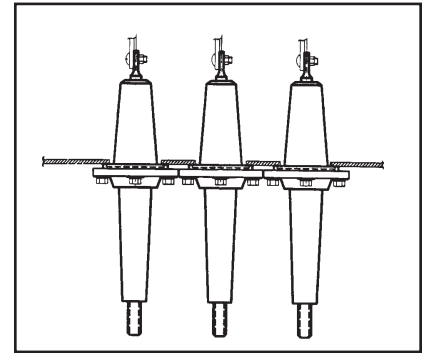
kV	Amp	kV BIL	Wt./3Ø set lbs (kgs)
15	600	110	35 (16)

AIR TAPE TERMINATION KITS

Tape termination kits include all material required for fully shielded air terminations. Specify by completing the catalog number below:

AT X X X X MR - Y Y - Z Z

XXXX = Conductor size, i.e. #4AWG (0004), 4/0 (04/0), 1000kcm (1000), etc.
 YY = Conductor type, i.e. Stranded Compressed (SC), Compact Round (CR).
 ZZ = Connector style, i.e. Aluminum Crimp (AC), Copper Solder (CS), Copper Crimp (CC).



3/C, 600A STUD BUSHING COMPARTMENT

Stud bushing compartments include stud bushings with copper conductor, cast iron or non-magnetic cast aluminum mounting plate, shape C body and compartment, solder connector for copper conductors (aluminum conductors require compression style connectors), and WS, RS or DP entrances. Entrance style is dependent upon cable construction. Specify complete cable data when ordering. Accessory entrance fittings may also be required. Stud bushing compartments are designed for a maximum conductor size of 750KCM aluminum or 1000KCM copper. For bottom entry switches, recommended switch frame height is 60" for all voltages. **Stress cone kits and compound are required. Consult factory for proper compound selection.**

kV	Amp	Wt. lbs (kgs)	Comp'd Req'd gals (L)
15	600	140 (64)	5 (19)

STRESS CONE KITS

Conductor Size AWG/KCM (mm ²)	Catalog Number
4-4/0 (21-107)	T1MR
250-500 (127-253)	T2MR
600-1000 (304-507)	T3MR

Stress cone kits include all material required for fully shielded air terminations. Specify solder (copper) or compression (copper or aluminum) connector and complete cable data. Kits may differ depending upon cable insulation type.

Accessories and Options

Gas Pressure Gauge and Fill Valve (Standard)



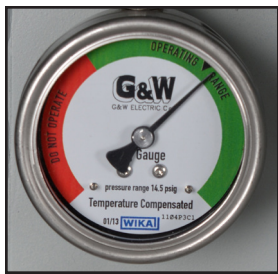
The pressure gauge is a “GO-NO-GO” style which is color coded to simplify verification of proper operating conditions. A Schraeder type fill valve permits refilling in the field. The gauge and fill valve are made of brass for corrosion resistance. Both components are protected by a steel guard.

Low Pressure Warning Devices



are factory set at 5 psig and permit remote indication of internal tank pressure. It can also be used for low pressure control lock-out. One Form C contact is provided for wiring by the customer. **Recommended for installations where ambient temperature does not fall below 0°F (-15°C).**

Temperature Compensated Gas Density Gauge (Optional)



measures internal tank gas density for maximum precision of switch operating conditions. The gauge is colored coded to simplify reading by operating personnel.

SF₆ Density Switches



permit remote indication of internal tank gas density to assure proper pressure/temperature operating conditions. One Form C contact is provided for wiring by the customer. **Recommended for installations where ambient temperatures fall below 0°F (-15°C).**

VI control window cover (Optional)



The standard control enclosure for pad-mount applications is fiberglass NEMA 4X (IP56) rated. The control is also available with an option for a fiberglass NEMA 4X (IP56) enclosure with a viewing window.

Viewing Windows (Standard)

provide a means to visibly verify switch contact position. Single phase or three phase contact viewing is available.

Ground Lugs (Optional)

are bronze, eyebolt style for 4/0 maximum conductor cable.

For standard components, refer to typical specifications at www.gwelec.com under Resources & Support.

Key Interlocks (Optional)



may be used as an added safety measure to prevent operation by unauthorized personnel or to assure safe coordination of energized equipment.

Switches can be provided with provisions only (two maximum per operating mechanism) or with key interlocks factory installed. Specify locking scheme when ordering, i.e. lock in open, lock in closed or lock in both open and closed position. For key interlocks to be coordinated with other equipment, manufacturer’s information must be provided.

Accessories and Options

OPTIONS

Select from the following options and add to the appropriate switch specification:

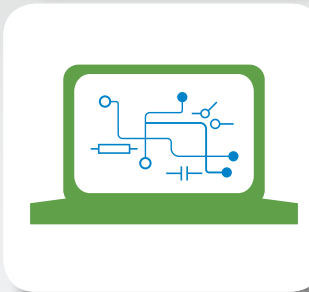
- Stainless steel tank, type 304
- Stainless steel enclosure, type 304 or 316
- Temperature compensating pressure gauge
- Low pressure warning device
- SF₆ density switch
- 4/0 brass ground lug
- Key interlock provisions
- Key interlocks to lock in open position
- Current transformers for load break ways
- Potential transformers for voltage monitoring and/or control power
- Automatic transfer control type ATC451
- Motor actuators for remote switch operation
- Auxiliary switches for remote switch position indication
- Stationary switch controls for remote switch operation and SCADA integration
- Portable switch controls for remote switch operation
- Remote terminal units and communication packages for SCADA integration
- Operation counters
- Voltage sensors with 120 VAC output or a contact to indicate presence of voltage
- 200A deepwell bushings
- 600A apparatus bushings
- 200A voltage sensing bushings
- 600A voltage sensing bushings
- 600A Quik-Change apparatus bushings
- 600A Universal bushings (through 25kV)
- Type 2 vacuum interrupter control including ground fault trip and time delay selector switches (three phase only)
- Type 3 vacuum interrupter control including ground fault trip, inrush restraint, programmable vacuum fluorescent display (VFD)
- Type 4 vacuum interrupter control (same as Type 3 with laptop programming only)
- Clear window cover for Type 1, Type 2, or Type 3 interrupter controls
- Submersible NEMA 6P enclosure or IP68 potted Type 4 for vacuum interrupter control
- SEL relays including 451 and 751A
- ABB relays including REF615, REF620, and REC670
- GE relays including 350, F35, and F60
- External power / trip for vacuum interrupter control
- Refill kit consisting of regulator, hose and SF₆ bottle

G&W offers Technical Support and Services:



Custom Engineering

Our engineers can tailor our products to meet the needs of any application.



Custom Programming

Our automation engineers can provide tailored relay programs to meet any specified needs.



Factory Acceptance Testing

G&W's Factory Acceptance Testing ensures customers' automation solutions are certified to operate properly and meet all requirements prior to being installed in the field.



Training Services

G&W offers a range of training solutions at both G&W facilities and on site.



24 Hour Technical Support

Technical support for G&W products is available 24 hours a day, 7 days a week.



Engineered to order. Built to last.

For more information: gwelec.com
General inquiries by email: info@gwelec.com
Find your local sales representative: gwelec.com
Tel 708.388.5010 Fax 708.388.0755

Catalog S-sf6vault
December, 2016