

RT-[E] Mount® / E Mount AIR®

RT- [E] Mount is the only rail-less PV mounting system with integrated flexible flashing certified by the ICC.



100% Code Compliant
100% Waterproof
100% Certified



VERSATILE



COMPACT



ASTM2140

WATERTIGHT



UL2703

SAFE

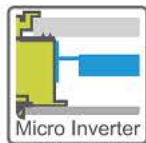


ICC ESR 3575

ONE W/ ROOF



CERTIFIED



Micro Inverter

ADAPTABLE



MANUAL

 **Roof Tech**

Smarter PV mounting solutions
from top of roof to bottom line®

Components

RT-[E] Mount kit



Middle Clamp kit

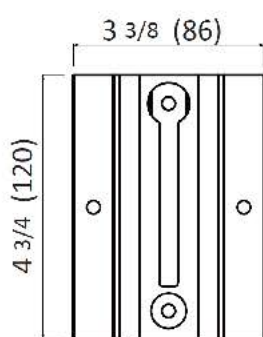


End Clamp kit



Available for 31, 33, 35, 40, 46 and 50 mm PV frame thickness

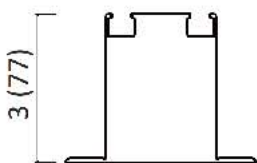
Dimensions in (mm)



RT-[E] Mount

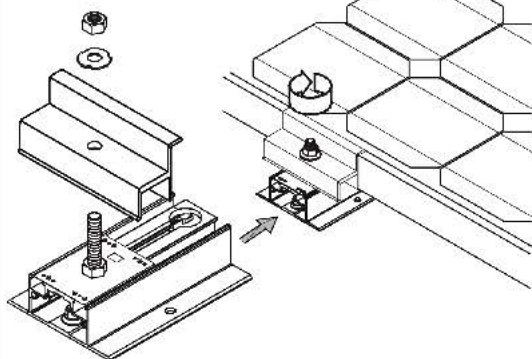


E Mount AIR

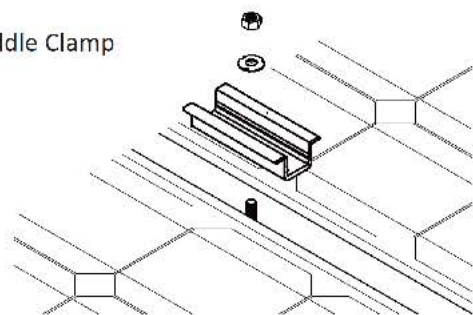


Installation

End Clamp



Middle Clamp



Material Description

RT- [E] Mount / E Mount AIR	Anodized aluminum
Clamps	
Microinverter bracket Cable holder bracket	
Hardware	Stainless steel
Flexible Flashing	RT Butyl (ICC ESR 3575)
Cable clamp	PBT

10 Year Limited Warranty
PAT US8647009

Roof Tech Inc.

www.roof-tech.us info@roof-tech.us
333 H Street, Suite 5000, Chula Vista, CA 91910
619.551.7029

* OSB 7/16" minimum, please download and review the engineering report.