

Moving solutions with safety, reliability and efficiency

# PASSENGER ELEVATORS USA / CANADA



Contents

---

**04**

— WHY HYUNDAI ELEVATOR?

**06**

— RELIABLE PRODUCTS

YZER

**07**

— ADVANCED TECHNOLOGY

GEARLESS TRACTION MACHINE

**08**

— DESIGN COLLECTION

**12**

— SPECIFICATIONS

LAYOUT PLAN

POWER FEEDER DATA

WORK BY OTHERS

# PASSENGER ELEVATORS

---

MOVING SOLUTIONS WITH SAFETY,  
RELIABILITY AND EFFICIENCY

# Why Hyundai Elevator?

Factors that contribute to Hyundai Elevator's credibility and reliability.

## Advanced Technology

205 m high-rise test tower

World-class 1,080 m/min  
EL 1080 high speed elevator

High tech, 46,484 m<sup>2</sup> dedicated elevator  
production facility in Icheon, Korea

Cutting-edge, 28,716 m<sup>2</sup> production facility  
in Shanghai, China

## Global Operations

5 overseas subsidiaries and  
46 sales networks

## Sales Network



**Hyundai and Advance Lift Technologies have partnered to offer a complete line of products, which can be purchased through Advance Lift Technologies for US and Canada**

**CERTIFICATION**

ISO9001	ISO14001	ISO45001	CoC(Certification of Conformity)



**Production system and sales network that span across borders**

In addition to state-of-the-art production facilities in Korea, Hyundai Elevator built manufacturing facilities in China to supply its unparalleled products worldwide. The company strives to better meet the needs of global customers through localization and by maximizing synergy among its 5 overseas subsidiaries and 46 sales networks.

**OVERSEAS SUBSIDIARIES**

- CHINA** SHANGHAI HYUNDAI ELEVATOR CO., LTD.
- INDONESIA** PT. HYUNDAI ELEVATOR INDONESIA
- MALAYSIA** HYUNDAI ELEVATOR (MALAYSIA) SDN. BHD
- VIETNAM** HYUNDAI THANH CONG ELEVATOR VIETNAM CO., LIMITED
- TURKEY** HYUNDAI ELEVATOR ASANSÖR VE SERVİS SANAYİ VE TİCARET ANONİM ŞİRKETİ



# Machine-room-less elevators (YZER)

The machine roomless elevator YZER is a revolutionary new elevator that eliminates the need for a rooftop machine room through the use of miniaturized traction machines and control panels, allowing increased space utilization, resolution of height and sunlight restriction issues, and more freedom in installation layout and skyline design.



## Increased space efficiency

A revolutionary new elevator that maximizes space efficiency through the use of smaller operating and control components that can be installed to the side of the door or in the hoistway, eliminating the need for a separate rooftop machine room.

## Flexible hoistway layout and skyline design

Provides enhanced flexibility in hoistway layout, and more freedom in building roof line design with the elimination of the conventional penthouse type machine room.

## Reduced building cost

Costs are reduced by eliminating the need for machine room construction and installation.

## Compact gearless traction machine

By using a gearless traction machine with permanent magnet synchronous motor, the YZER provides a smoother ride, improved energy savings, and environmentally friendly features.

**YZER**  
MRL ELEVATOR

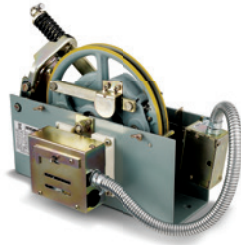


# Gearless Traction Machine

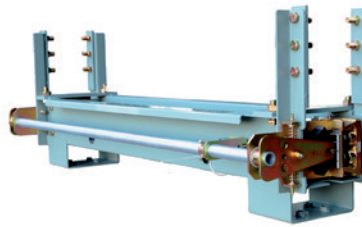
With the use of gearless traction machine, smoother ride, improved energy-saving, and environment-friendly features are enhanced.



## Governor



## Safeties



## Buffer



## Ceiling



CD199A



CD571C

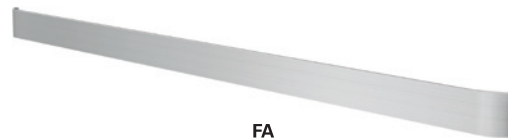


CD511B

## Handrail



1C



FA

## Cab Finishes

### STAINLESS STEEL



STS Hairline 304

### PAINTED STEEL



P016 (9.9YR 5.0/3.1)



P019 (5.1Y 7.6/1.1)



P020 (Metallic Gold)



P021 (Metallic Silver)



P022 (Black)



P023

Note: The images in this printed material are intended to help customers understand, and may differ slightly from the actual product colors.



| FRONTVIEW |



| REARVIEW |

## CAGE DESIGN

Ceiling	CD199A /Aluminum(Silver), PC ABS, LED Light, Ceiling panel(Painted steel P021)
Wall	Painted Steel(P017), Entrance Column(Painted Steel P017)
Handrail	1E / Stainless 1 Cylindrical + Bracket
Car Doors	Painted Steel(P017)
Flooring	By Others

**Note:** The images in this printed material are intended to help customers understand, and may differ slightly from the actual product colors.





| FRONTVIEW |



| REARVIEW |

## CAGE DESIGN

Ceiling	CD511B / Aluminum(Dark Gray), NST Embo bead, PSU Pannel, LED Light, Ceiling panel(Painted steel P021)
Wall	Painted Steel(P016), Stainless Mirror(#8), Entrance Column(Painted Steel P016)
Handrail	1E / Stainless 1 Cylindrical + Bracket
Car Doors	Painted Steel(P016)
Flooring	By Others

Note: The images in this printed material are intended to help customers understand, and may differ slightly from the actual product colors.



| FRONTVIEW |



| REARVIEW |

### CAGE DESIGN

Ceiling	CD571C / Aluminum(Silver), NST Embo bead, PSU Panel, LED Light, Ceiling panel(Painted steel P021)
Wall	Stainless Hairline(#4), Entrance Column(Stainless Hairline #4)
Handrail	FL / Stainless Hairline(#4)
Car Doors	Stainless Hairline(#4)
Flooring	By Others

**Note:** The images in this printed material are intended to help customers understand, and may differ slightly from the actual product colors.



| FRONTVIEW |



| REARVIEW |

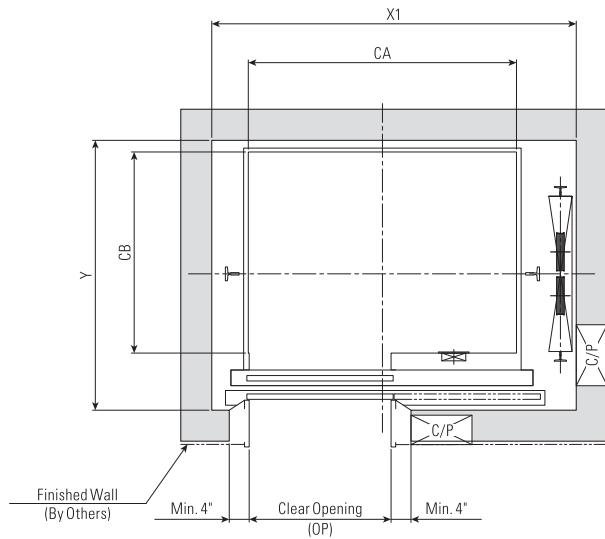
### CAGE DESIGN

Ceiling	CD199A / Aluminum(Silver), PC ABS, LED Light, Ceiling panel(Painted steel P025)
Wall	Stainless Hairline(#4), Stainless Hairline(#4) Etching(SE2302), Entrance Column(Stainless Hairline #4)
Handrail	1E / Stainless 1 Cylindrical + Bracket
Car Doors	Stainless Hairline(#4)
Flooring	By Others

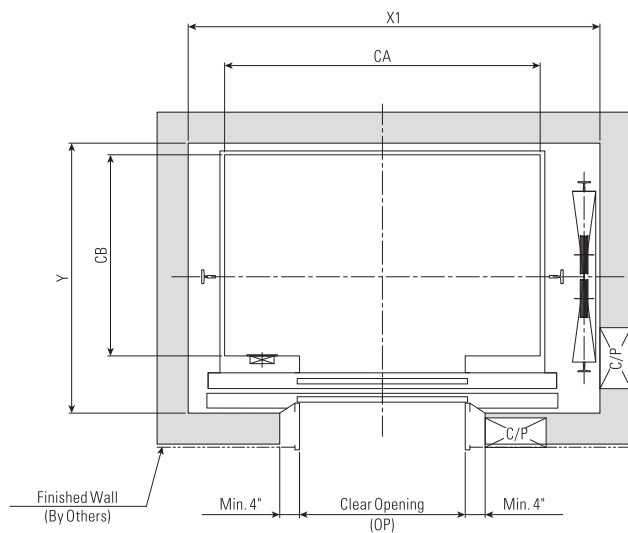
**Note:** The images in this printed material are intended to help customers understand, and may differ slightly from the actual product colors.

# Layout Plan - YZER(Machine-Room-Less Elevators) 100fpm~350fpm

## Plan of Hoistway

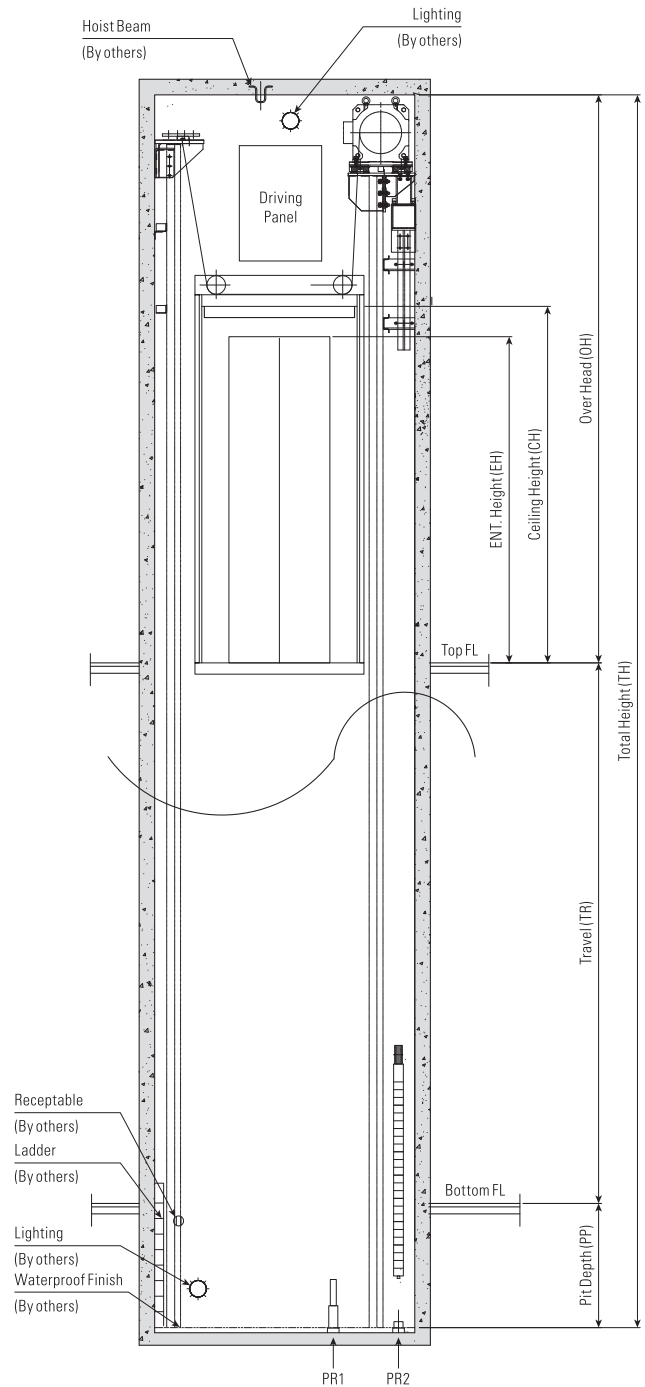


**Controller : At Top Floor**  
**Position : Front or Side, refer to B/D condition**



**Controller : At Top Floor**  
**Position : Front or Side, refer to B/D condition**

## Section of Hoistway



**Note :** The lighting of hoistway should be installed less than 500mm from above the ceiling of hoistway and within 500mm above the bottom of the pit. (By others)

# Layout Plan - YZER(Machine-Room-Less Elevators) 100fpm~350fpm

## Standard Dimensions

Unit: feet-inch(mm)

Capacity	Speed	Maximum Travel	Opening Type	Clear Opening	Car Inside		Minimum Hoistway Inside				
					CA	CB	1 Car	2 Car	Y		
lbs (kg)	fpm (mpm)	feet (m)		feet (mm)	feet (mm)		feet (mm)		feet (mm)		
2100 [953]	100 [30]	65 [20]	1SSO: Side Open	3'-0" [914]	5'-8" [1727]	4'-3" [1295]	7'-8" [2337]	15'-11 9/16" [4865]	5'-8 7/16" [1738]		
	150 [45]	114 [35]									
	200 [60]	147 [45]									
	300 [90]	262 [80]									
	350 [105]	262 [80]									
2500 [1134]	100 [30]	65 [20]	1SSO: Side Open  1SCO: Center Open	3'-6" [1067]	6'-8" [2032]	4'-3" [1295]	8'-8" [2642]	17'-11 9/16" [5475]	5'-8 7/16" [1738]		
	150 [45]	114 [35]									
	200 [60]	147 [45]									
	300 [90]	262 [80]									
	350 [105]	262 [80]									
3000 [1361]	100 [30]	65 [20]					6'-8" [2032]	4'-9" [1448]	8'-8" [2642]	17'-11 9/16" [5475]	6'-2 7/16" [1891]
	150 [45]	114 [35]									
	200 [60]	147 [45]									
	300 [90]	262 [80]									
	350 [105]	262 [80]									
3500 [1588]	100 [30]	65 [20]			6'-8" [2032]	5'-5" [1651]	8'-8" [2642]	17'-11 9/16" [5475]	6'-10 7/16" [2094]		
	150 [45]	114 [35]									
	200 [60]	147 [45]									
	300 [90]	262 [80]									
	350 [105]	262 [80]									

- Notes:
1. All dimensions are based on Car height: 8'(2438mm) and Entracne height:7'(2134mm)
  2. The Hoistway dimensions width and depth are based on clear dimension +0-20mm horizontal tolerances over the total hoistway height
  3. In the above table, the hoistway divided beam for 2Car reflected 7' 1/2" (191mm)
  4. For seismic zones, add 1"(26mm) to hoistway width

Unit: feet-inch(mm)

Capacity	Speed	Overhead	Pit Depth	Pit Reaction		
		OH	PP	PR1	PR2	
lbs (kg)	fpm (mpm)	feet (mm)	feet (mm)	kN	kN	
2100 [953]	100 [30]	12'9" [3886]	5' [1524]	71	57	
	150 [45]					
	200 [60]					
	300 [90]					
	350 [105]					
2500 [1134]	100 [30]	12'9" [3886]			81	64
	150 [45]					
	200 [60]					
	300 [90]					
	350 [105]					
3000 [1361]	100 [30]	12'9" [3886]		86	65	
	150 [45]					
	200 [60]					
	300 [90]					
	350 [105]					
3500 [1588]	100 [30]	12'9" [3886]		90	70	
	150 [45]					
	200 [60]					
	300 [90]					
	350 [105]					

# Power Feeder Data

## YZER(Machine-Room-Less Elevators) 100fpm~350fpm

Capacity lbs (kg)	Speed fpm (mpm)	Motor Capacity (kW)	Full Load Current (Iful)		Acceleration Current (Iacc)		MCCB Capacity of Building (A)		Power Supply Capacity (kVA)		Power Cable Size (mm <sup>2</sup> )		Earth Wire Size (mm <sup>2</sup> )	
			1 Car	2 Cars	1 Car	2 Cars	1 Car	2 Cars	1 Car	2 Cars	1 Car	2 Cars	1 Car	2 Cars
2100 [953]	100 [30]	3.2	6	12	11.4	22.8	20	30	6	11	4	6	4	10
	150 [45]	4.7	9	18	17.1	34.2	20	30	9	18	4	6	4	10
	200 [60]	6.3	10	20	19	38	20	30	11	22	4	6	4	10
	300 [90]	9.4	15	30	28.5	57	20	40	17	33	4	10	6	16
	350 [105]	10.9	18	36	34.2	68.4	30	50	20	39	6	16	6	16
2500 [1134]	100 [30]	3.8	7	14	13.4	26.5	20	30	7	13	4	6	4	10
	150 [45]	5.6	11	22	20.9	41.8	20	30	11	19	4	10	4	10
	200 [60]	7.5	12	24	22.8	45.6	20	40	13	26	4	10	4	10
	300 [90]	11.2	18	36	34.2	68.4	30	50	20	39	6	16	6	16
	350 [105]	13.0	22	44	41.8	83.6	30	60	24	47	6	16	10	25
3000 [1361]	100 [30]	4.5	8	16	15.2	30.4	20	30	8	14	4	10	4	10
	150 [45]	6.7	12	24	22.8	45.6	20	40	12	21	4	10	6	16
	200 [60]	8.9	14	28	26.6	53.2	20	40	16	31	4	10	6	16
	300 [90]	13.4	22	44	41.8	83.6	30	60	24	47	6	16	10	25
	350 [105]	15.6	26	52	49.4	98.8	40	75	28	55	10	25	16	35
3500 [1588]	100 [30]	5.3	10	20	19	38	20	30	10	18	4	10	4	10
	150 [45]	7.8	15	30	28.5	57	20	40	14	26	6	16	6	16
	200 [60]	10.4	17	34	32.3	64.6	30	50	19	37	6	16	6	16
	300 [90]	15.6	26	52	49.4	98.8	40	75	28	55	10	25	16	35
	350 [105]	18.2	30	60	57	114	40	100	32	64	10	35	16	35

Notes: 1. The values in the table above are based on 3 phase 480V.

2. Power cable size is assuming max. 50 m to maintain the maximum allowable voltage drop of 5% based on the maximum starting current at operating with full load.

# Work by Others

## Hoistway

1. Hoistway must be constructed to the final layout drawings (LOD).
2. The location of attachment support for the top rail bracket is at a critical elevation called out on the hoistway LOD.
3. An overhead beam must be provided at the location indicated on the hoistway LOD and designed to support 7500lbs per elevator.
4. Provide a clear plumb hoistway with variations from the size shown on the Hyundai layout not to exceed  $-0"/+1"$  (25mm) and not less than the clear dimensions shown on the Hyundai LOD.
5. Provide a dry, properly framed, enclosed and vented hoistway in accordance with all applicable codes prior to the start of installation.
6. Front Entrance wall at the Main Floor Landing and the Top Floor Landing are not to be constructed until the elevator is installed.

## Smoke Detectors

1. Provide Smoke Detectors in accordance with local code requirements terminating the necessary signals at the controller at the Top Floor Landing.
2. If sprinklers are provided inside the hoistway or machine space, see local code for special elevator disconnect requirements.

## Pit

1. Pit floor must be designed to sustain vertical forces on car and counterweight rails and impact loads on car and counterweight buffers as shown on Hyundai LOD.
2. Pit must be clean and dry prior to start of installation.
3. Fixed ladders in each pit as required by governing code, size of pocket and location shown per Hyundai LOD
4. Pit Lighting must be provided in accordance with local code requirements.

## Electrical

1. Power Conditions
  - 1) Three Phase: Prior to the start of the Elevator Installation, a permanent three phase 480 Volts electrical feeder with separate ground must be provided through a separate fused disconnect located next to the Elevator controller at the Top Floor Landing, and permanently wired in to the drive panel above the Top Landing Entrance. If 480 Volts three phase is not available, then a transformer must be provided to obtain the 480 Volts three phase.

- 2) Single Phase: A separate 115 Volts through a fused disconnect next to the test panel at the Top Floor Landing must be provided and permanently connected to the Test panel.
2. Provide a permanent light at the top of the hoistway as shown on the Hyundai LOD and as required by local code requirements.
3. Provide electrical power for lights, tools, welding, hoisting, etc.
4. Provide one dedicated outside phone line, and this line must be permanently terminated at the signal controller at the Top Floor Landing.

## Barricades must meet OSHA minimum requirements.

1. Provide OSHA guarding and protection of the hoistway at all times.
2. Prior to starting installation, OSHA freestanding removable barricades must be provided at all landing openings.
3. barricades shall be 42" high, have centerboard and kickboard and withstand 200lbs of lateral force.
4. Provide full entrance screening/mesh in front of all hoistway entrances.

## Elevator job site Requirements

1. Maintain the temperature and environment of the elevator hoistway and machine room between 41°F(5°C) to 104°F(40°C).
2. The following conditions are required for maintaining elevator performance.
  - \* The relative humidity shall be below 90% on monthly average and below 95% on a daily average.
  - \* The elevator hoistway shall be finished with mortar or other materials so as to prevent concrete dust.
3. Voltage fluctuation shall be within a range of +5% to -10%.
4. Contact your Hyundai Elevator representative for more information.



Approved for CE Marking for all areas of elevator, an industry first in Korea



Accredited with KC (Korea Certification) for elevator safety



Accredited with ISO 9001, an industry first in Korea



Accredited with ISO 14001, an industry first in Korea



Accredited with ISO 45001 Certification



## HYUNDAI ELEVATOR CO., LTD.

Depending on the timing of the production of printed materials, there may be a difference between the content and the actual product sold, and some specifications may inevitably change due to quality improvement. When purchasing a product, be sure to receive guidance from our sales team.

### Notes

1. The images in this printed material are intended to help customers understand, and may differ slightly from the actual product colors.
2. Specifications contained in this printed material are subject to change according to quality improvement and application of options.
3. Copyright © HYUNDAI ELEVATOR CO.,LTD. All rights reserved.

### HEAD OFFICE & FACTORY

San 136-1, Ami-ri, Bubal-eup, Icheon-si, Gyeonggi-do 467-734, Korea

### SEOUL OFFICE (INT'L SALES DIV.)

5F East Bldg, Hyundai Group Bldg., 1-7 Yeonji-dong, Jongno-gu, Seoul 110-754, Korea

[www.hyundaielevator.com](http://www.hyundaielevator.com)

### USA / CANADA

Advance Lift Technologies, LLC  
937 Dumesnil Street, Louisville, Kentucky 40203  
Tel : (812) 705-4057  
Email : [Sales@ALT-AVT.com](mailto:Sales@ALT-AVT.com)

