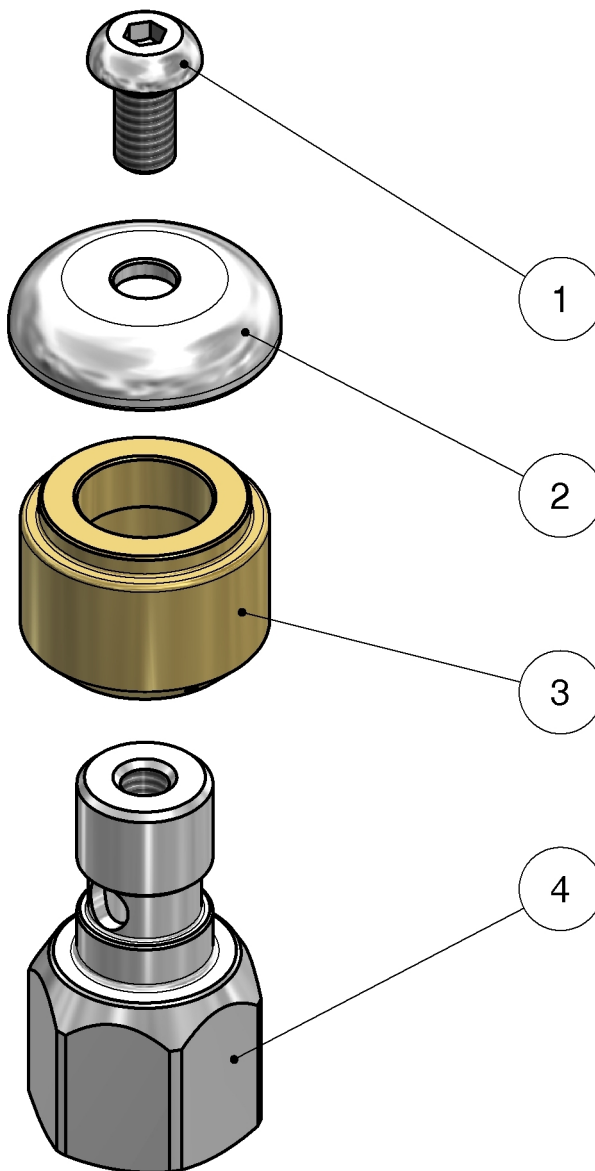




25.1285.30 STR-1/8-03 Rotat. drain Clean. noz.1/8 Bsp F
25.1285.40 STR-1/8-04 Rotat. drain Clean. noz.1/8 Bsp F
25.1285.50 STR-1/8-05 Rotat. drain Clean. noz.1/8 Bsp F
25.1285.60 STR-1/8-06 Rotat. drain Clean. noz.1/8 Bsp F
25.1285.70 STR-1/8-07 Rotat. drain Clean. noz.1/8 Bsp F
25.1285.80 STR-1/8-08 Rotat. drain Clean. noz.1/8 Bsp F
25.1290.30 STR-1/4-03 Rotat. drain Clean. noz.1/4 Bsp F
25.1290.40 STR-1/4-04 Rotat. drain Clean. noz.1/4 Bsp F
25.1290.50 STR-1/4-05 Rotat. drain Clean. noz.1/4 Bsp F

25.1290.60 STR-1/4-06 Rotat. drain Clean. noz.1/4 Bsp F
25.1290.70 STR-1/4-07 Rotat. drain Clean. noz.1/4 Bsp F
25.1290.80 STR-1/4-08 Rotat. drain Clean. noz.1/4 Bsp F
25.1295.10 STR-3/8-10 Rotat. drain Clean. noz.3/8 Bsp F
25.1295.11 STR-3/8-11 Rotat. drain Clean. noz.3/8 Bsp F
25.1295.60 STR-3/8-06 Rotat. drain Clean. noz.3/8 Bsp F
25.1295.70 STR-3/8-07 Rotat. drain Clean. noz.3/8 Bsp F
25.1295.80 STR-3/8-08 Rotat. drain Clean. noz.3/8 Bsp F
25.1295.90 STR-3/8-09 Rotat. drain Clean. noz.3/8 Bsp F



Pos.	P/N	Description	Q.ty	K1	K2	K3	K4	
1	16.1831.00	Screw, ISO7380 M4x8 mm Sst.	1					10
1	16.1832.00	Screw, ISO7380 M6x8 mm Sst. (1)	1					10
2	25.1287.51	Sst washer, d.18 mm	1					5
2	25.1297.51	Sst washer, d.22 mm (1)	1					5
3	25.1273.38	Rotating body, 03-3x0,55mm (2,3)	1					5
3	25.1274.38	Rotating body, 04-3x0,7 mm	1					5
3	25.1275.38	Rotating body, 05-3x0,85mm (4)	1					5
3	25.1276.38	Rotating body, 06-3x0,95mm (1,5)	1					5
3	25.1277.38	Rotating body, 07-3x1,05 mm (6,7)	1					5
3	25.1278.38	Rotating body, 08-3x1,10 mm (8,9)	1					5

Pos.	P/N	Description	Q.ty	K1	K2	K3	K4	
3	25.1346.38	Rotating body, 06-3x0,60 mm-d.22 mm (10)	1					5
3	25.1347.38	Rotating body, 07-3x0,75 mm-d.22 mm (11)	1					5
3	25.1348.38	Rotating body, 08-3x0,90 mm-d.22 mm (12)	1					3
3	25.1345.38	Rotating body, 11-3x1,15 mm-d.22 mm (13)	1					3
3	25.1344.38	Rotating body, 10-3x1,10 mm-d.22 mm (14)	1					5
3	25.1343.38	Rotating body, 09-3x1,05 mm-d.22 mm (15)	1					5
4	25.1286.51	Sst coupling, 1/8 F Bsp (10)	1					5
4	25.1291.51	Sst coupling, 1/4 F Bsp	1					3
4	25.1296.51	Sst coupling, 3/8 F Bsp (2,9)	1					5

(1) 25.1285.60 (2) 25.1285.30 (3) 25.1290.30 (4) 25.1285.50 (5) 25.1290.60 (6) 25.1285.70 (7) 25.1290.70 (8) 25.1285.80 (9) 25.1290.80 (10) 25.1295.60 (11) 25.1295.70 (12) 25.1295.80 (13) 25.1295.11 (14) 25.1295.10 (15) 25.1295.90