
HOGGI®



FLUX 1 - 3
Spare parts catalogue

en

Index

1	Modellidentification and basic equipment	
1.1	Modellidentification _____	3
1.2	Basic equipment _____	3
2	Assemblies _____	
2.1	Assembly overview _____	4
3	Spare parts	
3.1	Front frame _____	5
3.2	Rear frame _____	6
3.3	Multifunktional part _____	7
3.4	Folding lever set _____	8
3.5	Grab rail standard, _____	9
3.6	Grab rail w/universal handle _____	10
3.7	Caster fork _____	11
3.8	Wheels _____	12
3.9	Lower arm support with handles _____	13
3.10	Lower arm support with handles, 3-axis adjustable _____	14
3.11	Hand disk _____	15
3.12	Bumper wheels _____	16
3.13	Drag brake _____	17
3.14	Brake with wheel lock _____	18
3.15	Anti-tips for FLUX size _____	19
3.16	Anti-tips with rolls _____	20
3.17	Seat, suitable for size 1 and 2 _____	21
3.18	Seat, suitable for size 3 and 4 _____	22
3.19	Hip-/bottom pads, multi adjustable _____	23
3.20	Dynamic hip control kit for orthoses _____	24
3.21	Parts list, Dynamic hip control kit for orthoses _____	25
3.22	Swivel lock, for two castor fork`s _____	26
3.23	Carrier _____	27
3.24	Sling seat rail _____	28
3.25	Sling seat _____	29
3.26	Low friction reverse roll lock _____	30

Modelidentification

1.1 Model identification

Please give us the Serial number with every spare part order, to ensure a correct delivery.

The diagram shows three identical labels for the HOGGI FLUX (Lauflehnhilfe) product. Each label contains the following information:

- Colour code:** 3213-0001-XXX
- Item number:** 3213-0001-XXX
- Size:** 3213-0001-XXX
- Serial number:** SN 2019XXXXXX
- CE-Identification:** CE
- Manufacturer:** HOGGI GmbH, Eulerstraße 27, D-56235 Ransbach-Baumbach
- Product name:** FLUX (Lauflehnhilfe)
- Maximum user weight / Maximum load:** Zuladung: 60 - 100 kg
- Year of manufacture:** 2019

Callouts on the right side of the labels point to these specific fields:

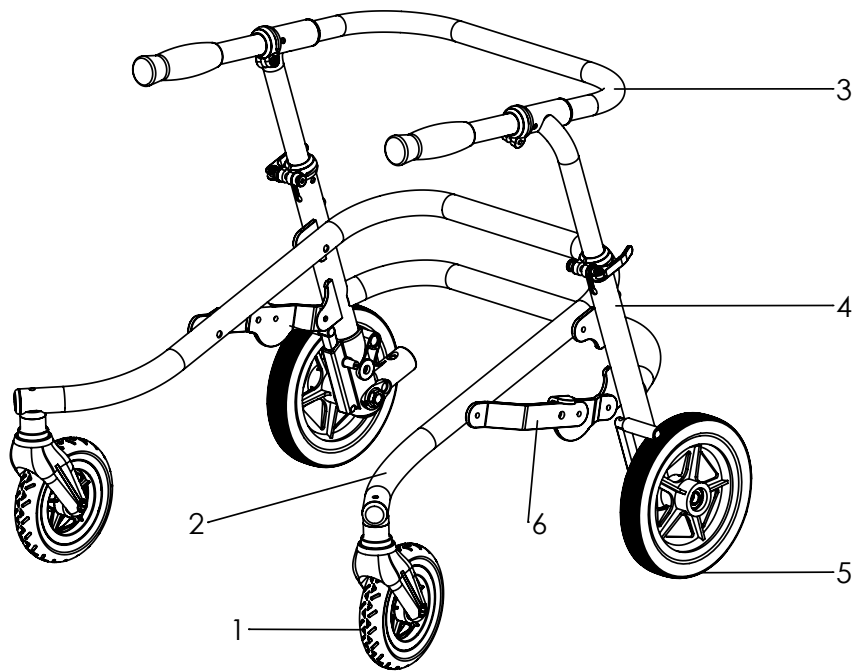
- Colour code
- Item number
- Size
- Serial number
- CE-Identification
- identification identification
- Type designation / Productname
- Maximum user weight / Maximum load
- Manufacturer
- Manufactur
- Year of manufactur

1.2 Basic configuration

The basic configuration includes:

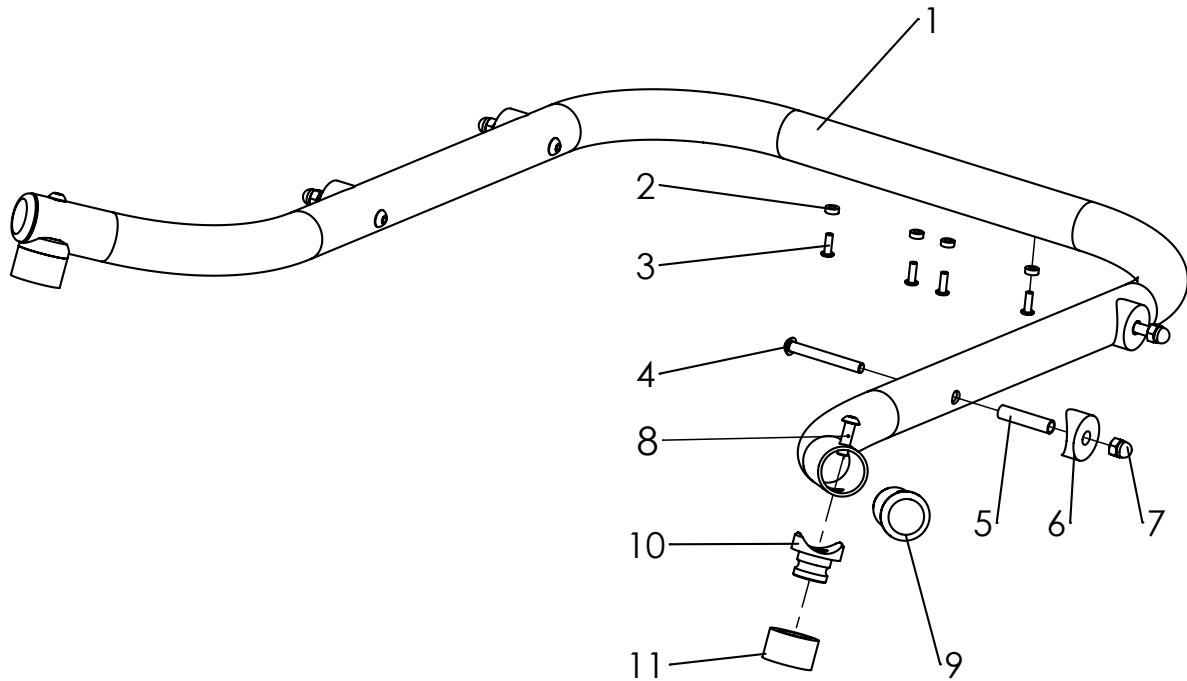
- Hight and depth adjustable grab rails
- Swiveling Front wheels
- puncture-proof wheels
- On and off switchable backstop, on the rear wheels

2 Component overview



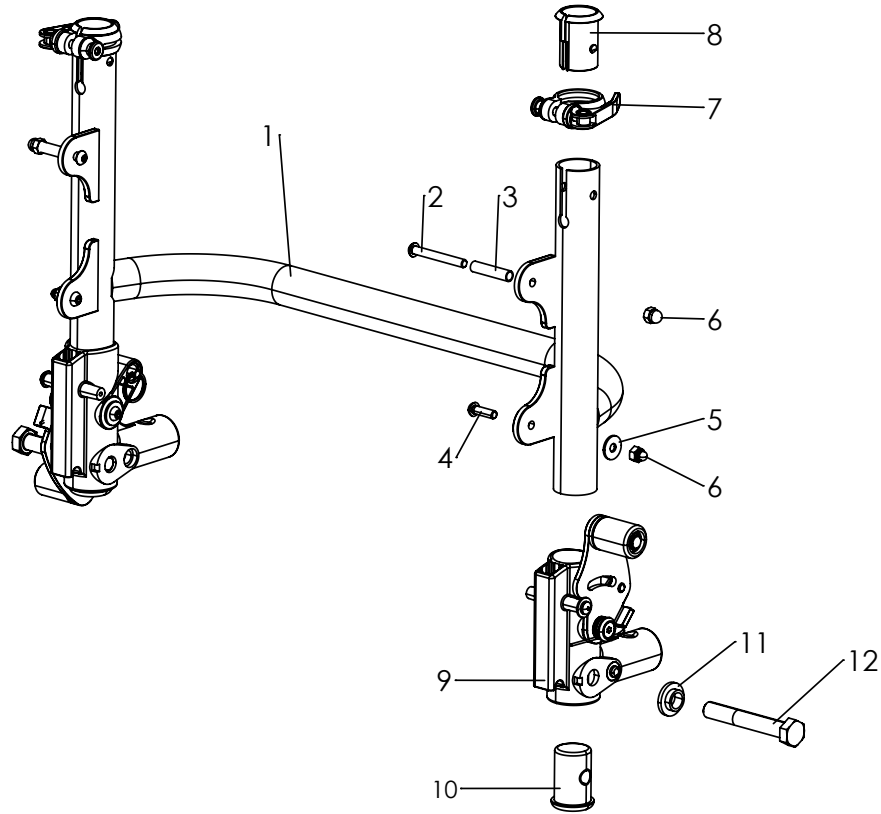
Pos	Article number	Articel description	Page
1	1221-XXXX	Wheels	12
2	330X-1100	Front frame	5
3	330X-XX00	Grab rail	9
4	330X-1200	Rear frame	6
5	1121-XXXX	Wheels	12
6	3301-1X00	Folding lever	8

Spare parts



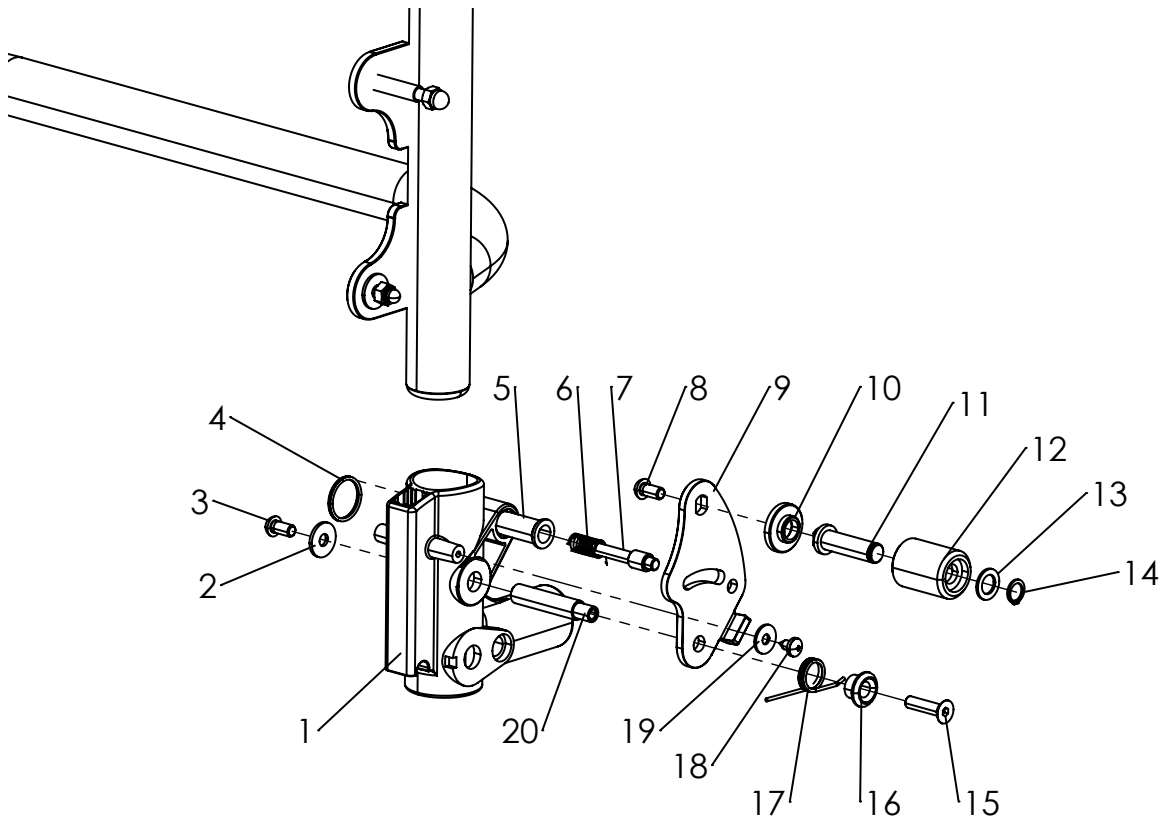
Pos	Article number	Articel description	Quantity	Unit
1-11	3301-1100-000	Front frame size 1, complete	1	Pc.
	3302-1100-000	Front frame size 2, complete	1	Pc.
	3303-1100-000	Front frame size 3, complete	1	Pc.
1-8	3301-1110E-000	Front frame size 1 with fasteners	1	Pc.
	3302-1110E-000	Front frame size 2 with fasteners	1	Pc.
	3303-1110E-000	Front frame size 3 with fasteners	1	Pc.
	3301-1110-000	Bend front tube frame, size 1	1	Pc.
	3302-1110-000	Bend front tube frame, size 2	1	Pc.
	3303-1110-000	Bend front tube frame, size 3	1	Pc.
2	1112-0010	Spacer PA black 8x4,3x3	4	Pc.
3	1062-0412	Blind rivet F4x12	4	Pc.
4	1029-0650	button head socket screw M6x50	4	Pc.
5	1114-0047	Bushing steel zp 8x0,9x35	4	Pc.
6	1111-0006	Saddle washer PA black 28x8.4x5	4	Pc.
7	1044-0006	Hexagonal domed cap nut self-locking M6	4	Pc.
8	1029-0620	Button head socket screw M6x20	2	Pc.
9	3301-1120	Threaded insert M12	2	Pc.
10	3301-1130	Saddle bushing	2	Pc.
11	3202-1151	Cover ring	2	Pc.

Spare parts



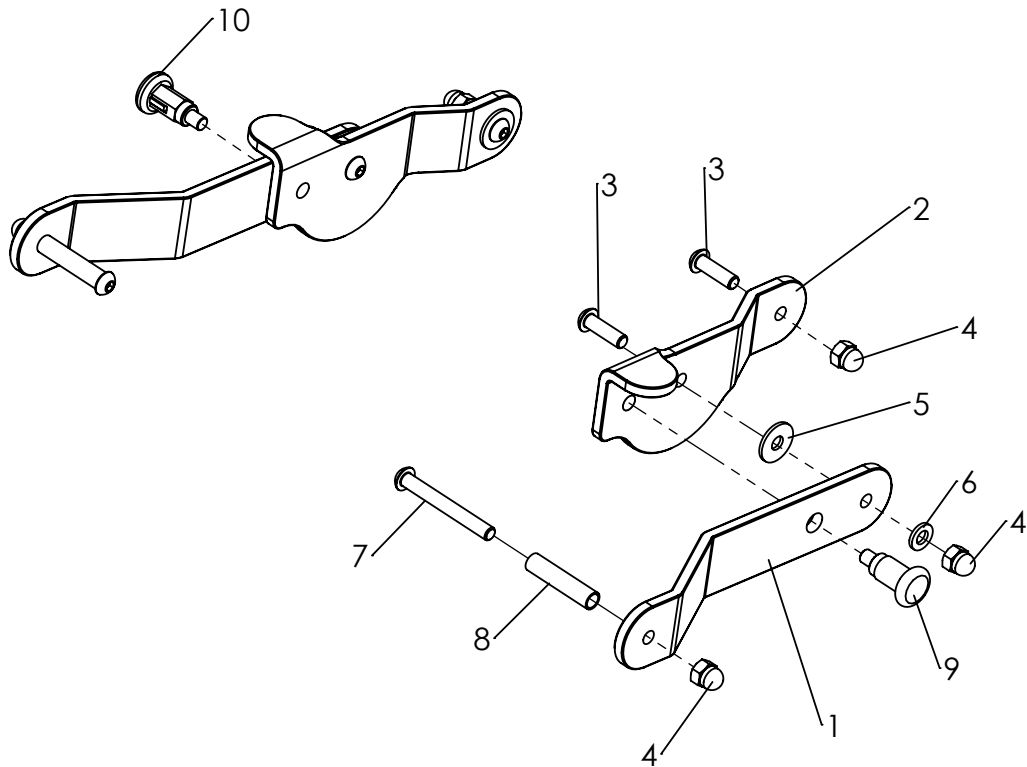
Pos	Article number	Articel description	Quantity	Unit
1-12	3301-1200-000	Rear frame size 1, complete	1	Pc.
	3302-1200-000	Rear frame size 2, complete	1	Pc.
	3303-1200-000	Rear frame size 3, complete	1	Pc.
1-6	3301-1210E-000	Rear frame size 1, with fasteners	1	Pc.
	3302-1210E-000	Rear frame size 2 , with fasteners	1	Pc.
	3303-1210E-000	Rear frame size 3, with fasteners	1	Pc.
1	3301-1210-000	Rear framw size 1	1	Pc.
	3302-1210-000	Rear framw size 2	1	Pc.
	3303-1210-000	Rear framw size 3	1	Pc.
2	1029-0650	Button head socket screw M6x50	2	Pc.
3	1114-0047	Bushing steel zp 8x0,9x35	2	Pc.
4	1029-0620	Button head socket screw M6x20	2	Pc.
5	1113-0010	Washer PA black 18x6,4x1,5	2	Pc.
6	1044-0006	Hexagonal domed cap nut self-locking M6	4	Pc.
7	1129-0006	Saddle clamp with quick-release D 31,8 right	1	Pc.
	1129-0007	Saddle clamp with quick-release D 31,8 left	1	Pc.
8	3301-1240	Clamp bushing	2	Pc.
9	3301-1910	Multifunktional part with revers roll lock left	1	Pc.
	3301-1920	Multifunktional part with revers roll lock right	1	Pc.

Spare parts



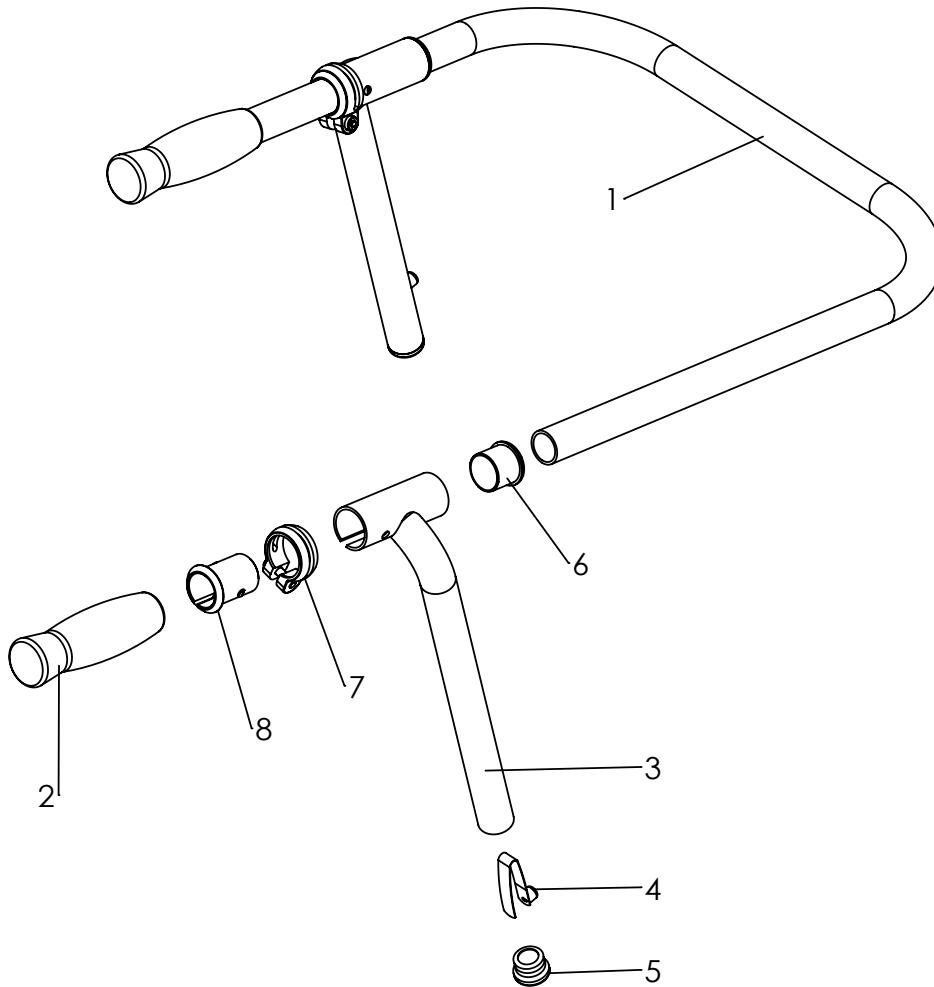
Pos	Article number	Articel description	Quantity	Unit
1-20	3301-1910	Multifunktional part with revers roll lock, left	1	Pc.
	3301-1920	Multifunktional part with revers roll lock, right	1	Pc.
1	3301-1230	Multifunktional part	1	Pc.
2	1055-0006	Washer A6,4	1	Pc.
3	1029-0612	Button head socket screw M6x12	1	Pc.
4	1129-0003	Key ring 24x1,5	1	Pc.
5	3201-7520	Spring housing	1	Pc.
6	1131-0036	Compression spring D-127	1	Pc.
7	3301-1817	Locking pin	1	Pc.
8	1029-0612	Button head socket screw M6x12	1	Pc.
9	3301-1811-001	Base plate left	1	Pc.
10	3301-1814	Spacer bushing	1	Pc.
11	3301-1812	Freewheel axle	1	Pc.
12	3301-1830	Freewheel left	1	Pc.
13	1059-0001	Shim ring 10x16x1,2	1	Pc.
14	1080-0010	Retaining ring for shaft 10x1	1	Pc.
15	1024-0625	Hexagon socket countersunk head screw M6x25	1	Pc.
16	3301-1816	Spring hanger	1	Pc.
17	1133-0012	Leg spring T-18854L 1,6x14,4x3,00	1	Pc.
18	1039-0001	Screw for plastic, cross rcessed pan head w. flange 4x10	1	Pc.
19	1055-0005	Washer A5,3	1	Pc.
20	3301-1815	Axle	1	Pc.

Spare parts



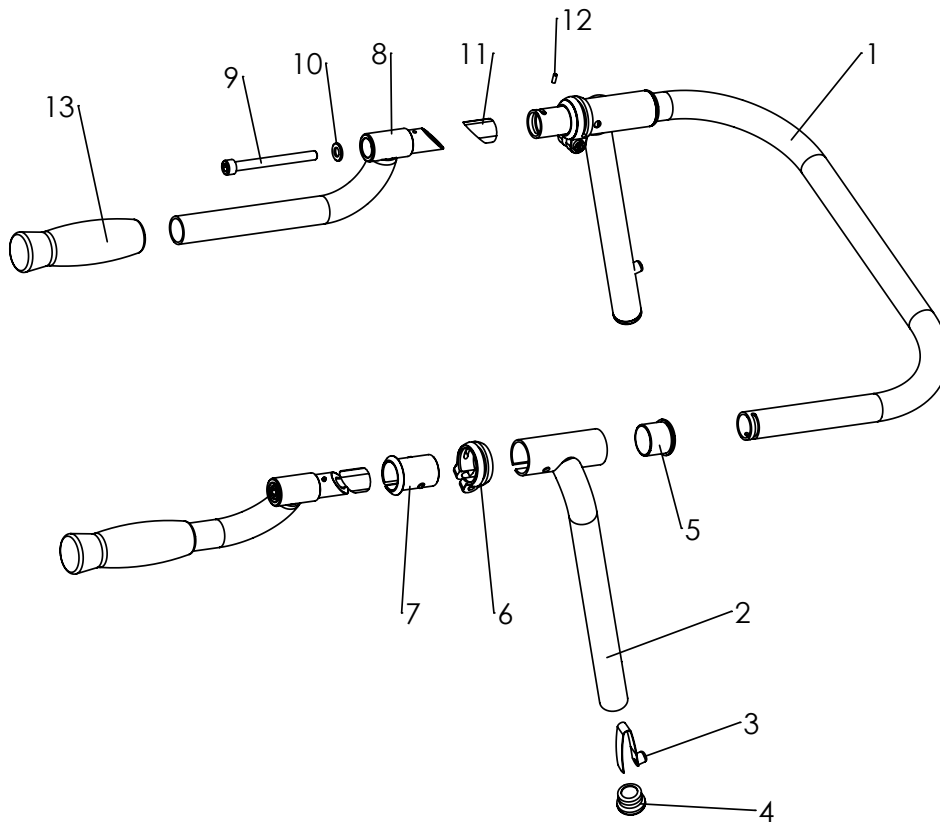
Pos	Article number	Articel description	Quantity	Unit
1-10	3301-1300	Folding lever set left	1	Set
	3301-1400	Folding lever set right	1	Set
1	3301-1310	Fold lever, front	2	Pc.
2	3301-1310-001	Rear folding lever right	1	Pc.
	3301-1320-001	Rear folding lever left	1	Pc.
3	1029-0620	Button head socket screw M6x20	4	Pc.
4	1044-0006	Hexagonal domed cap nut self-locking M6	6	Pc.
5	1113-0010	Washer PA black 18x6,4x1,5	4	Pc.
6	1051-0006	Washer A6,4	2	Pc.
7	1029-0650	Button head socket screw M6x50	2	Pc.
8	1114-0047	Bushing steel zp 8x0,9x35	2	Pc.
9	1127-0010	Lock pin	1	Pc.
10	1127-0011	Lock pin, with lock	1	Pc.

Spare parts



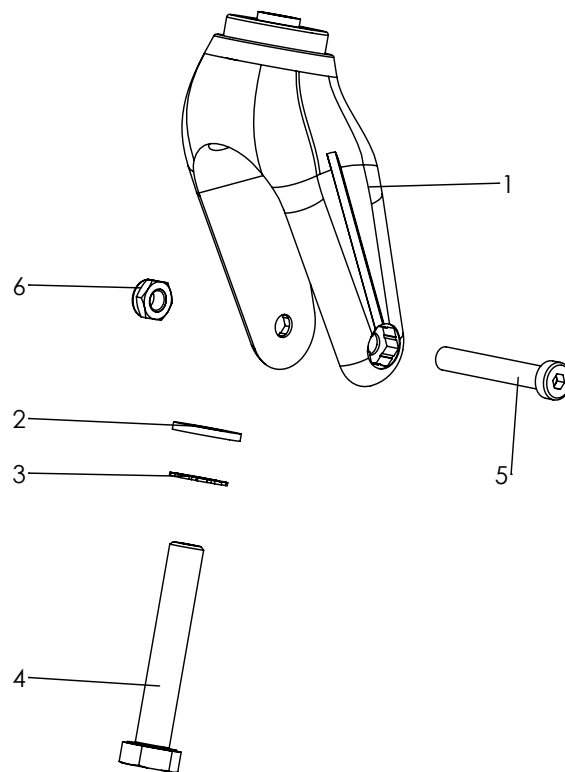
Pos	Article number	Articel description	Quantity	Unit
1-8	3301-1500E	Grab rail standard, size 1, complete	1	Pc.
	3302-1500E	Grab rail standard, size 2, complete	1	Pc.
	3303-1500E	Grab rail standard, size 3, complete	1	Pc.
1-2	3301-1540	Grab rail standard size 1	1	Pc.
	3302-1540	Grab rail standard size 2	1	Pc.
	3303-1540	Grab rail standard size 3	1	Pc.
1	3301-1541-006	Grab rail standard tube size 1	1	Pc.
	3302-1541-006	Grab rail standard tube size 2	1	Pc.
	3303-1541-006	Grab rail standard tube size 3	1	Pc.
2	1143-0005	Handle grip black d25 x 120	2	Pc.
3-8	3301-1510E	Pillar left complete size 1	1	Pc.
	3301-1520E	Pillar right complete size 1	1	Pc.
	3302-1510E	Pillar left complete size 2	1	Pc.
	3302-1520E	Pillar right complete size 2	1	Pc.
4	1134-0006	Snap button B 141 7,7x9,4	2	Pc.
5	1141-0015	Ribbed insert GL 25x1-2.5	2	Pc.
6	3301-1530	Flange bushing	2	Pc.
7	1129-0008	Saddle clamp with bolt D 31,8	2	Pc.
8	3301-1240	Clamp bushing	2	Pc.

Spare parts



Pos	Article number	Articel description	Quantity	Unit
1-13	3301-5100E	Grab rail w/universal handle size 1, complete	1	Pc.
	3302-5100E	Grab rail with universal handle, size 2, complete	1	Pc.
	3303-5100E	Grab rail with universal handle, size 3, complete	1	Pc.
1	3301-5110-006	Bend of grab rail universal size 1	1	Pc.
	3302-5110-006	Bend of grab rail universal size 2	1	Pc.
	3303-5110-006	Bend of grab rail universal size 3	1	Pc.
2-7	3301-1510E	Pillar left complete size 1	1	Pc.
	3301-1520E	Pillar right complete size 1	1	Pc.
	3302-1510E	Pillar left complete size 2	1	Pc.
	3302-1520E	Pillar right complete size 2	1	Pc.
3	1134-0006	Snap button B 141	2	Pc.
4	1141-0015	Ribbed insert GL 25x1-2.5	2	Pc.
5	3301-1530	Flange bushing	2	Pc.
6	1129-0008	Saddle clamp with bolt D 31,8	2	Pc.
7	3301-1240	Clamp bushing	2	Pc.
8-13	3301-5120	Universal handle complete	1	Pc.
8	3301-5130	Universal handle	2	Pc.
9	1021-0885	Hexagon socket head cap screw M8x85	2	Pc.
10	1051-0008	Washer A8,4	2	Pc.
11	1089-0002	Wedge M8x21	2	Pc.
12	1070-0308	Spring pin 3x8	2	Pc.
13	1143-0005	Handle grip black d25 x 120	2	Pc.

Spare parts



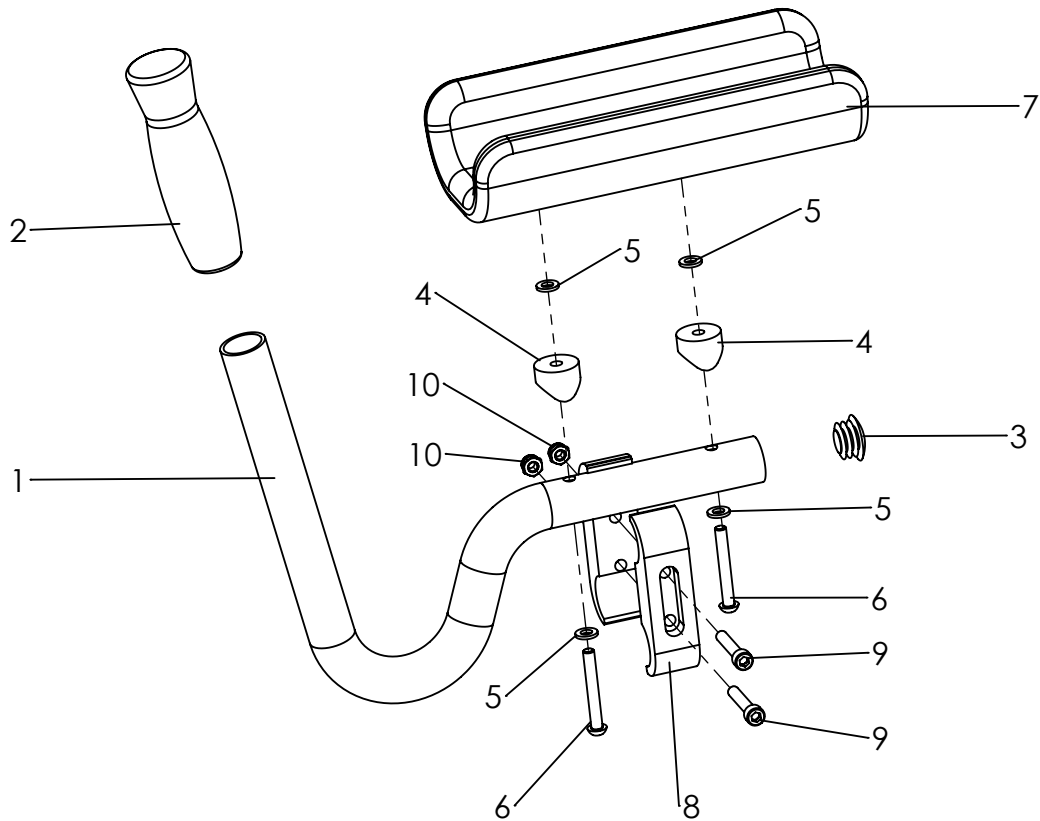
Pos	Article number	Articel description	Quantity	Unit
1	1281-0009	Caster fork 150	1	Pc.
2	1051-0012	Washer A 13	1	Pc.
3	1056-0021	Lock washer A 12,5	1	Pc.
4	3301-1150	Steering pivot pin	1	Pc.
5-6	1205-0855E	Hexagon head screw M8x55 with nut	1	Pc.

Spare parts



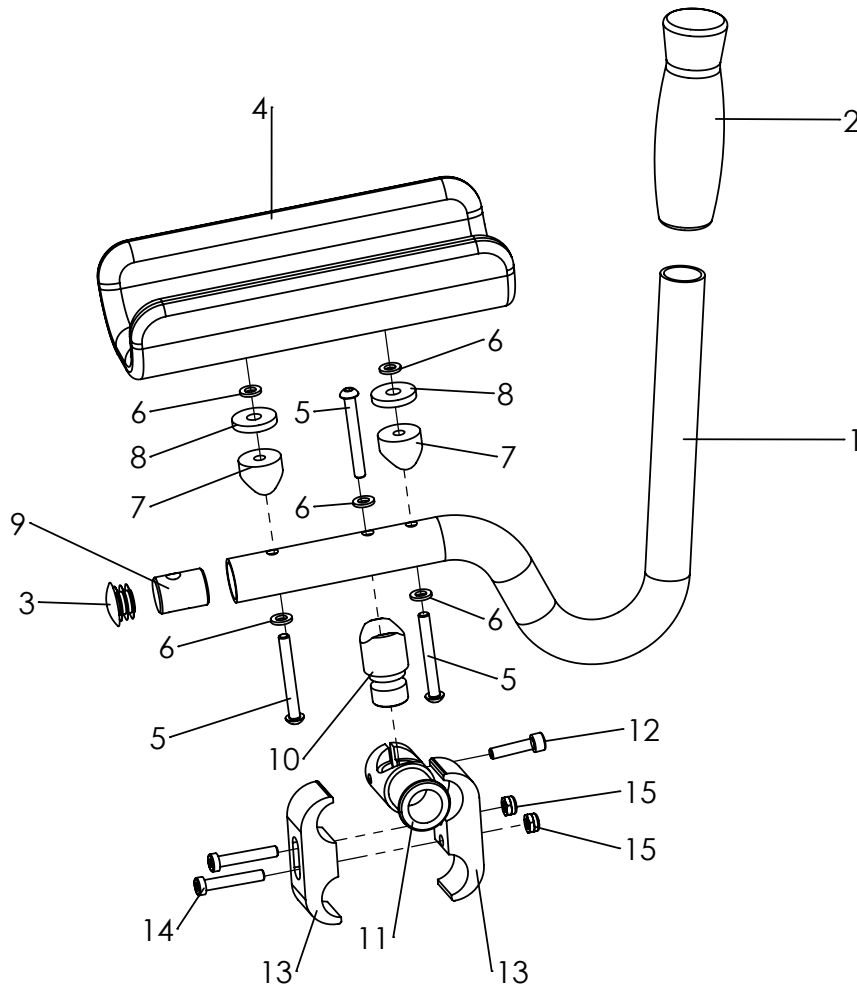
Pos	Article number	Articel description	Quantity	Unit
1	1221-2040	PU-wheel black, R200/30	1	Pc.
2	1221-1530	PU-wheel black, R150/30	1	Pc.

Spare parts



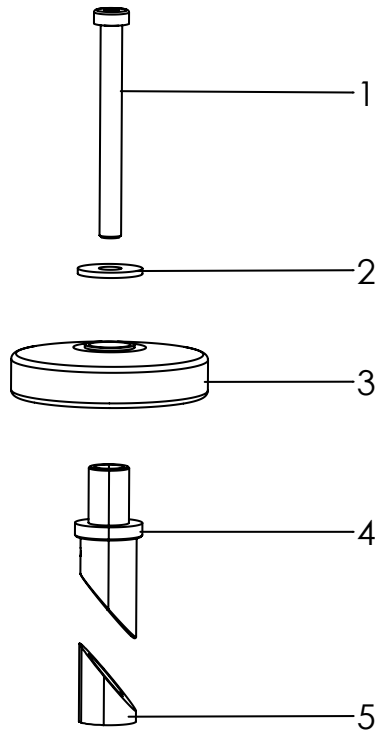
Pos	Article number	Articel description	Quantity	Unit
1-10	3302-5200	Lower arm support with handles	2	Set
1	3301-5321-006	Handle tube, anodized	2	St
2	1143-0005	Handle grip black d25 x 120	2	St
3	1141-0009	Ribbed insert SFL 25x1-2,5	2	St
4	1111-0001	Saddle washer PA black 24x6.3x8	2	St
5	1051-0006	Washer A6,4	2	St
6	1029-0645	Button head socket screw M6x45	2	St
7	3302-5240	Lower arm support	2	St
8-10	3301-5210	Terminal holder, 60mm	2	St
9	1021-0635	Hexagon socket head cap screw M6x35	2	St
10	1042-0006	Hexagon nut self-locking M6	2	St

Spare parts



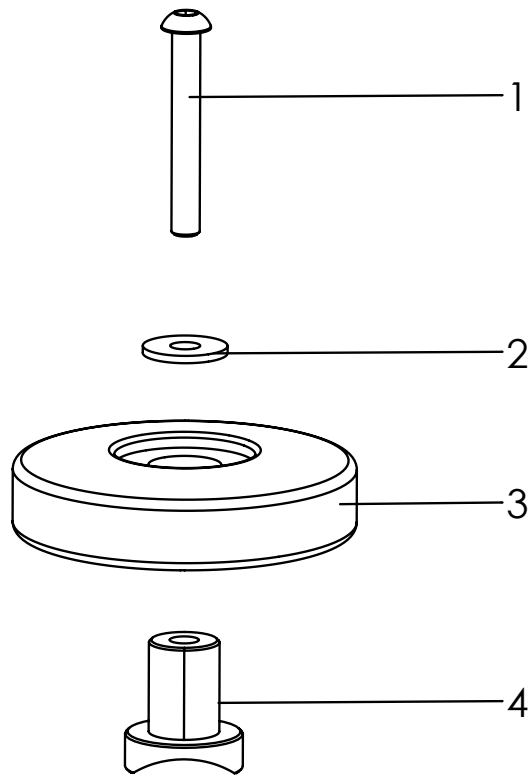
Pos	Article number	Articel description	Quantity	Unit
1-13	3302-5300	Lower arm support with handles, 3-axis adjustable	1	Set
1	3301-5321-006	Handle tube, anodized	2	Pc.
2	1143-0005	Handle grip black d25 x 120	2	Pc.
3	1141-0009	Ribbed insert SFL 25x1-2,5	2	Pc.
4	3302-5240	Lower arm support	2	Pc.
5	1029-0650	Button head socket screw M6x50	6	Pc.
6	1051-0006	Washer A6,4	10	Pc.
7	1111-0001	Saddle washer PA black 24x6.3x8	4	Pc.
8	1113-0047	Washer PA black 24x8,4x4	4	Pc.
9	3251-2135	Block D8	2	Pc.
10	3301-5360	Distance bush	2	Pc.
11	3301-5350	Clamping shaft	2	Pc.
12	1021-0625	Hexagon socket head cap screw M6x25	2	Pc.
13	3301-5915	Clamp shell 45mm long	4	Pc.
14	1021-0635	Hexagon socket head cap screw M6x35	4	Pc.
15	1042-0006	Hexagon nut self-locking M6	4	Pc.

Spare parts



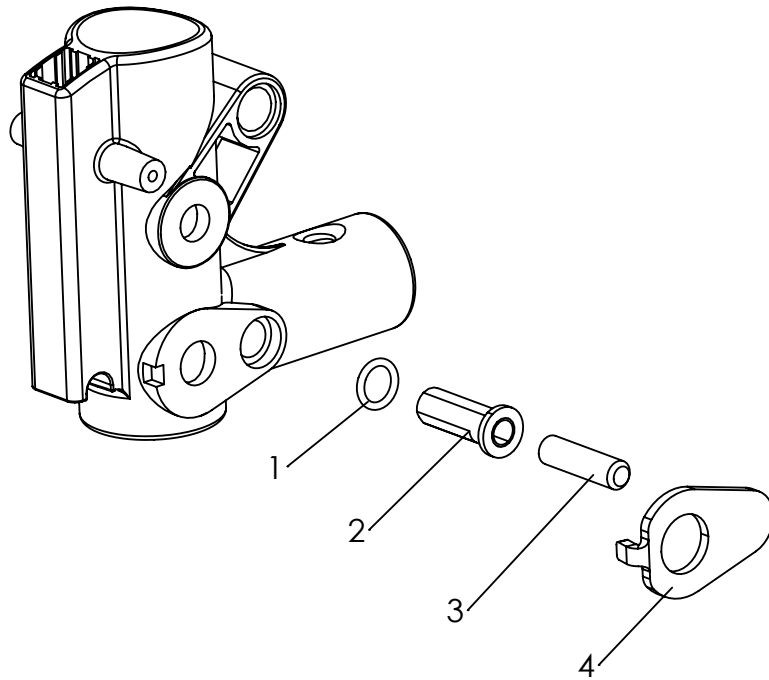
Pos	Article number	Articel description	Quantity	Unit
1-5	3301-6600	Hand disk	1	Set
1	1022-0880	Hexagon socket head cap screw M8x80	2	Pc.
2	1055-0008	Washer A8,4	2	Pc.
3	1249-0002	Bumper wheels 100 mm black	2	Pc.
4	3301-6610	Clamp for hand disk	2	Pc.
5	1089-0002	Wedge M8x21	2	Pc.

Spare parts



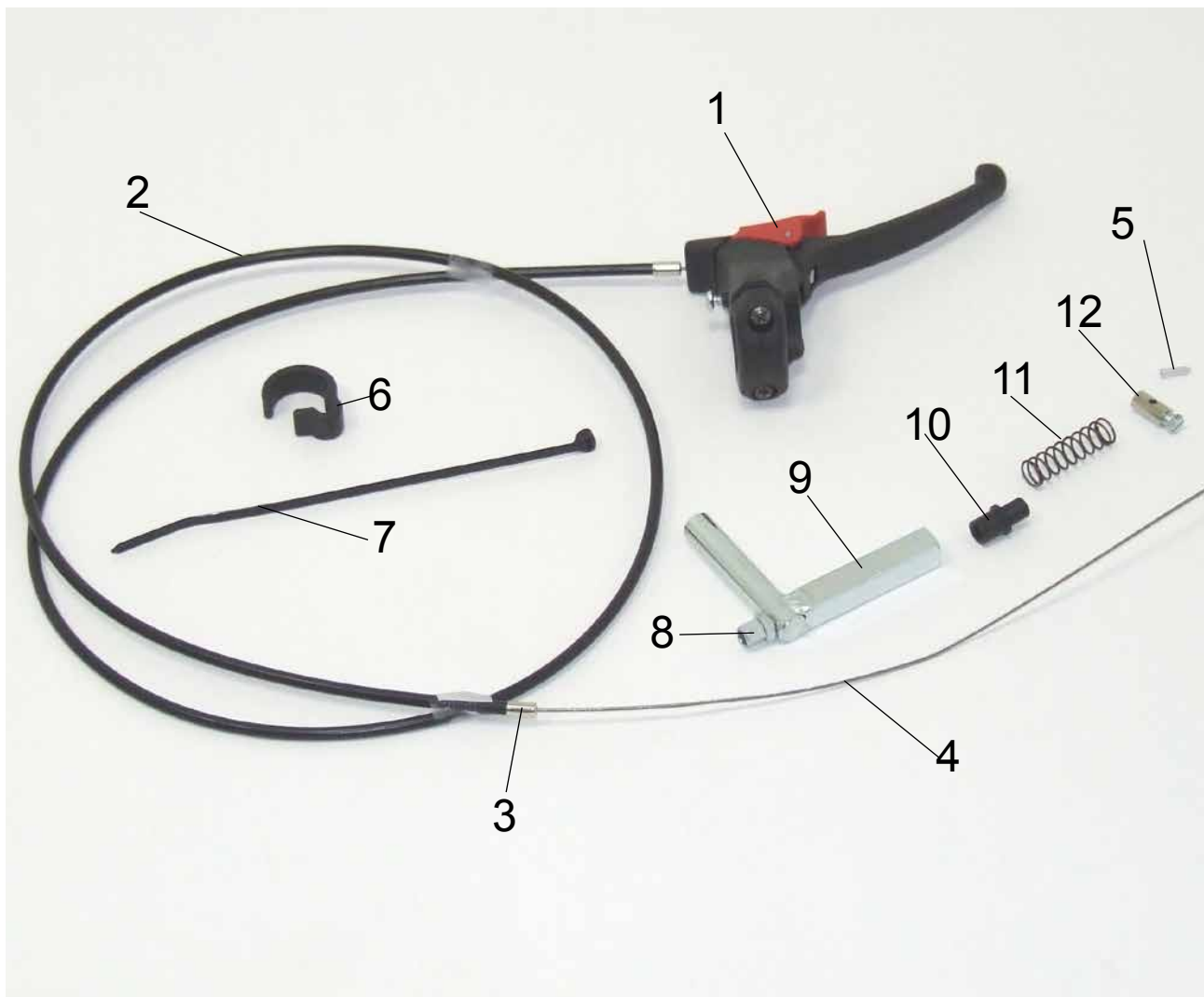
Pos	Article number	Articel description	Quantity	Unit
1-4	3301-5400	Bumper wheels	1	Set
1	1029-0645	Button head socket screw M6x45	2	Pc.
2	1055-0006	Washer A6,4	2	Pc.
3	1249-0001	Deflector role	2	Pc.
4	3301-5410	Saddle bushing	2	Pc.

Spare parts



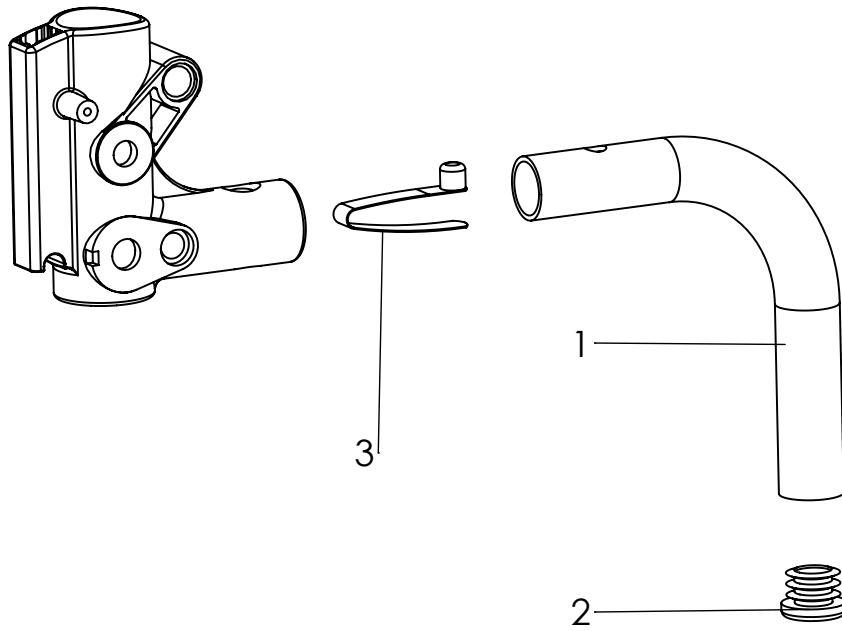
Pos	Article number	Articel description	Quantity	Unit
1-4	3301-5500	Drag brake	1	Set
1	1150-0002	O-ring 10x2	2	Pc.
2	3301-5520	Insert nut	2	Pc.
3	1031-0830	Hexagon socket set screw M8x30	2	Pc.
4	3301-5510	Sliding plate	2	Pc.

Spare parts



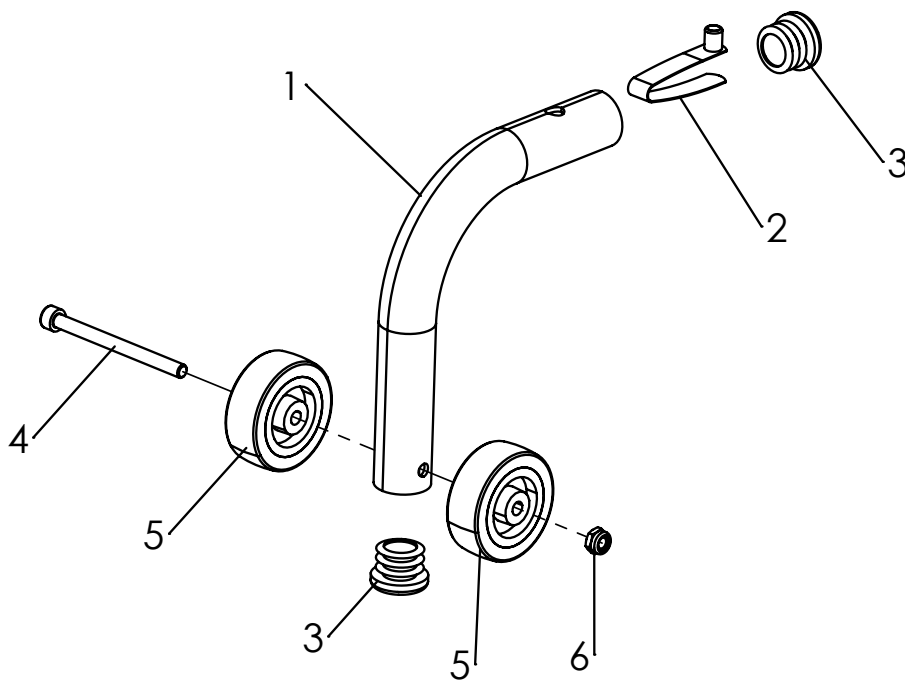
Pos	Article number	Articel description	Quantity	Unit
1	3301-5600	Brake with wheel lock	1	Set
2-5	1209-0002	Hand brake 80° manual lock 25mm	2	Pc.
2+4	1209-0005	Break kabel set	2	Set
3	1209-0006	End cap brass, cable cover	2	Pc.
5	1209-0007	End cap aluminium	2	Pc.
6	1149-0001	Cable clip D 25	2	Pc.
7	1089-0004	Cable tie, black, 5x180	2	Pc.
8	1099-0003	Adjusting screw with nut M6x20/30	2	Pc.
9	3301-5610	Break lever	2	Pc.
10	3301-5620	Guid bushing	2	Pc.
11	1131-0034	Compression spring D-180	2	Pc.
12	1099-0005	Screw nipple D8x15	2	Pc.

Spare parts



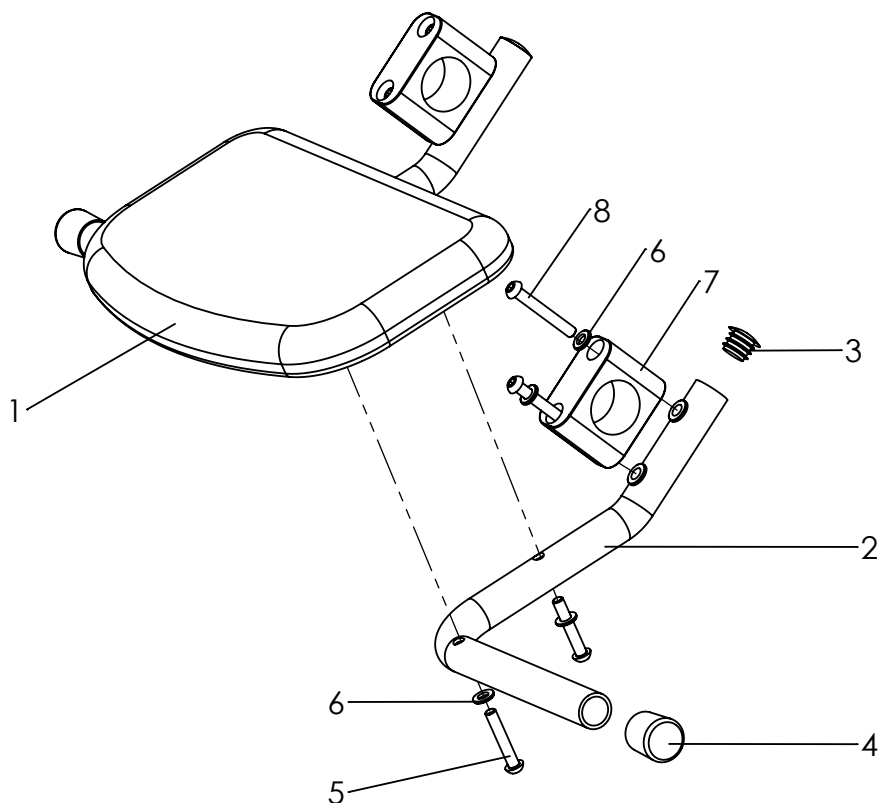
Pos	Article number	Articel description	Quantity	Unit
1-3	3301-5700	Anti-tips for FLUX size 1-3	1	Set
1	3301-5710	Bent tube anti tip	2	Pc.
2	1141-0015	Ribbed insert GL 25x1-2.5	2	Pc.
3	1134-0007	Snap button D-150	2	Pc.

Spare parts



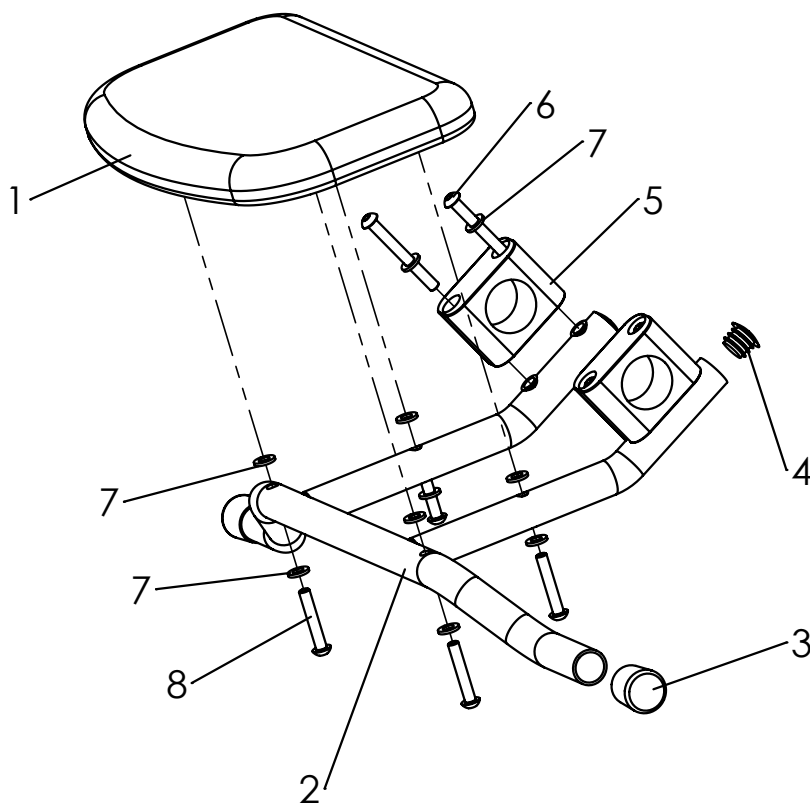
Pos	Article number	Articel description	Quantity	Unit
1-6	3301-5701	Anti-tips with rolls fits to Flux size 1-3	1	Set
1	3301-5720-001	Pipe for tilt protection with castors, black	2	Pc.
2	1134-0006	Snap button B 141 7,7x9,4	2	Pc.
3	1141-0015	Ribbed insert GL 25x1-2.5	2	Pc.
4	1021-0675	Hexagon socket head cap screw M6x75	2	Pc.
5	1249-0008	Roll with rubber bandage 50x18mm	4	Pc.
6	1042-0006	Hexagon nut self-locking M6	2	Pc.

Spare parts



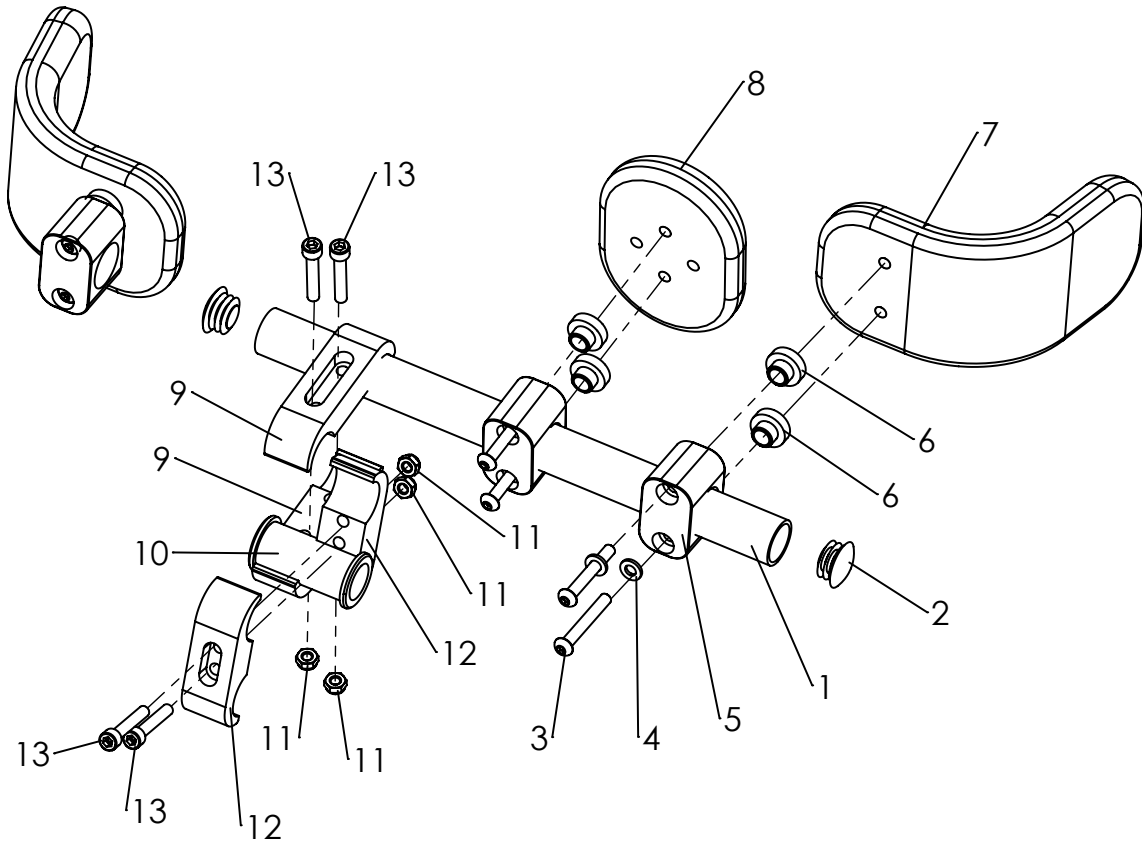
Pos	Article number	Articel description	Quantity	Unit
1-9	3301-5800	Seat, suitable for size 1 and 2	1	Pc.
1	3301-5810	Seat plate	1	Pc.
2	3301-5821E-001	Tube arm, left with inserts	1	Pc.
	3301-5822E-001	Support arm right with inserts	1	Pc.
3	1141-0006	Ribbed insert SFL 20x0,8-2,5	2	Pc.
4	1142-0002	Cover K 20 PE black	2	Pc.
5	1029-0635	Button head socket screw M6x35	4	Pc.
6	1051-0006	Washer A6,4	8	Pc.
7	1116-0003	Tube clamp PA black D30	2	Pair
8	1029-0650	Button head socket screw M6x50	4	Pc.
9	3301-5822	Pipe bend Support arm right	1	Pc.

Spare parts



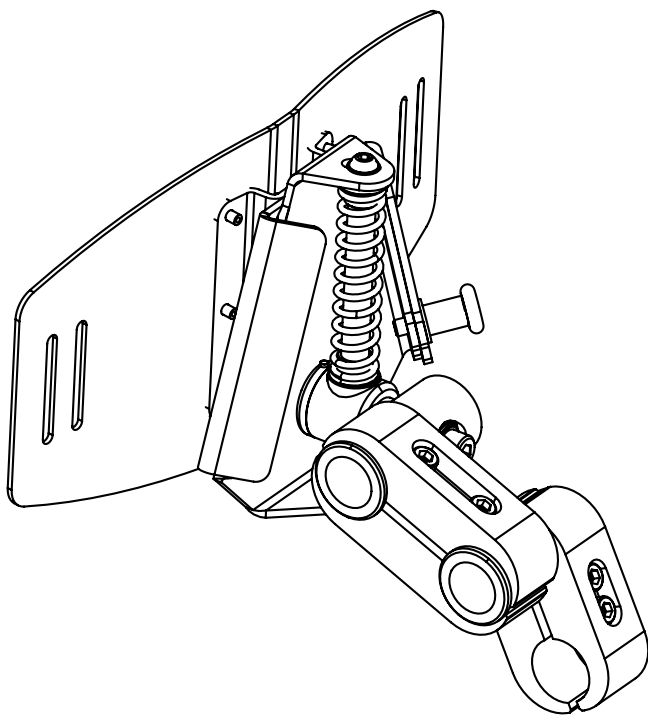
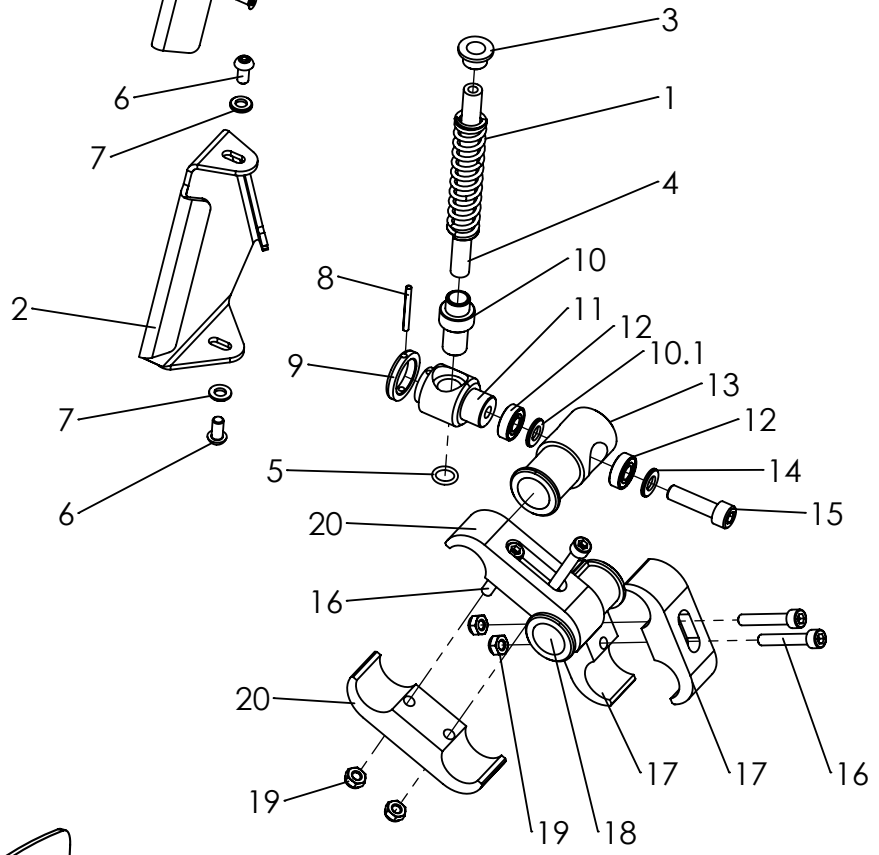
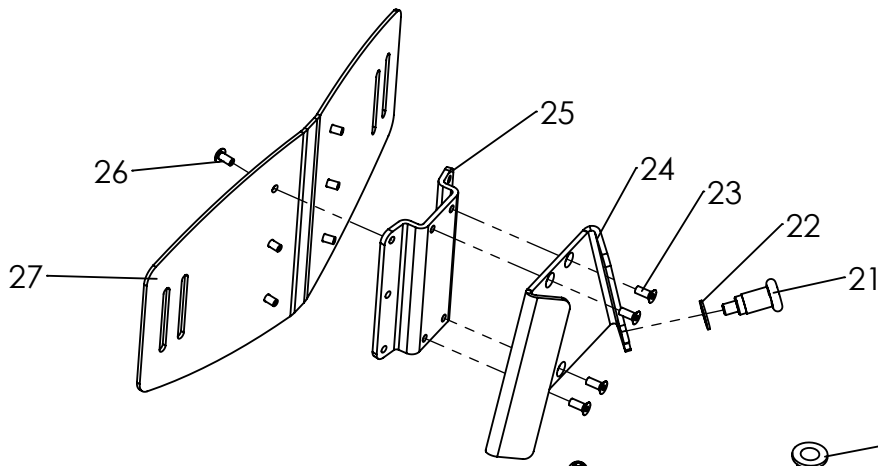
Pos	Article number	Articel description	Quantity	Unit
1-8	3313-5800	Seat, suitable for size 3 and 4	1	Pc.
1	3301-5810	Seat plate	1	Pc.
2	3313-5820	Seat carrier size 4	1	Pc.
3	1142-0002	Cover K 20 PE black	2	Pc.
4	1141-0006	Ribbed insert SFL 20x0,8-2,5	2	Pc.
5	1116-0003	Tube clamp PA black D30	2	Pair
6	1029-0655	Button head socket screw M6x55	4	Pc.
7	1051-0006	Washer A6,4	12	Pc.
8	1029-0635	Button head socket screw M6x35	4	Pc.

Spare parts



Pos	Article number	Articel description	Quantity	Unit
1-13	3301-5900	Hip-/bottom pads, multi adjustable	1	Set
1-2	3301-5920	Support arm pelotte	1	Pc.
1	3301-5921	Tube for (pelotte) support	1	Pc.
2	1141-0009	Ribbed insert SFL 25x1-2,5	2	Pc.
3	1029-0645	button head socket screw M6x45	3	Pair
4	1051-0006	Washer A6,4	6	Pc.
5	1116-0005	Tube clamp PA black D25 with textile inlet	3	Pair
6	3301-5933	Spacer bushing	6	Pc.
7	3301-5960	PU-side pelotte	2	Pc.
8	3301-5950	PU-center pelotte	1	Pc.
9	3301-5211	Clamp shell	2	Pc.
10	3301-5913	Hollow axle	1	Pc.
11	1042-0006	Hexagon nut self-locking M6	4	Pc.
12	3301-5915	Clamping shell 45	2	Pc.
13	1021-0635	Hexagon socket head cap screw M6x35	4	Pc.

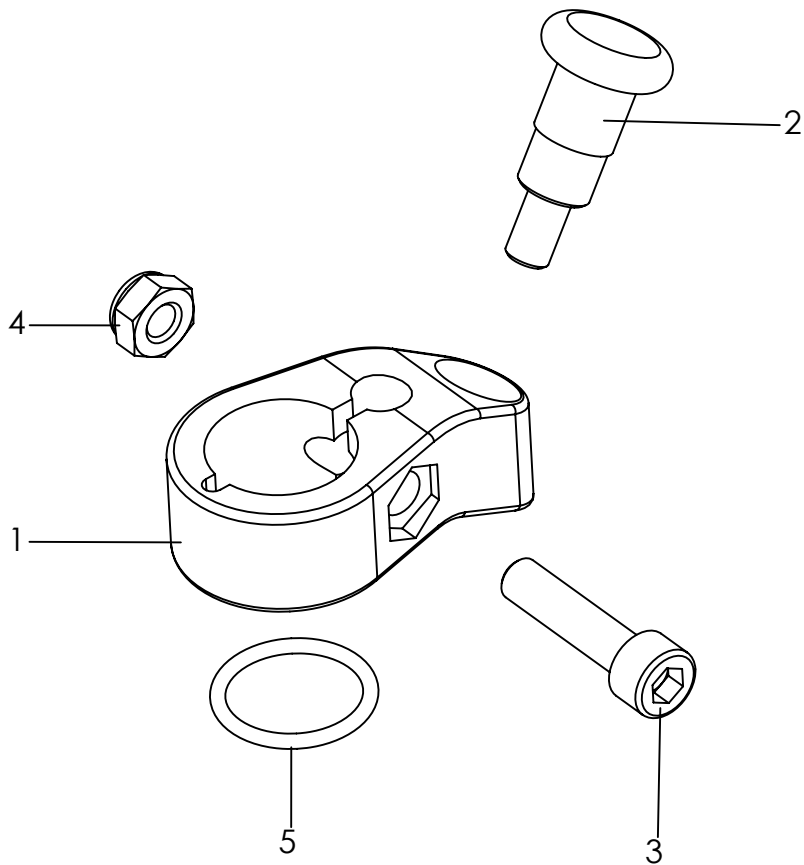
Spare parts



Spare parts

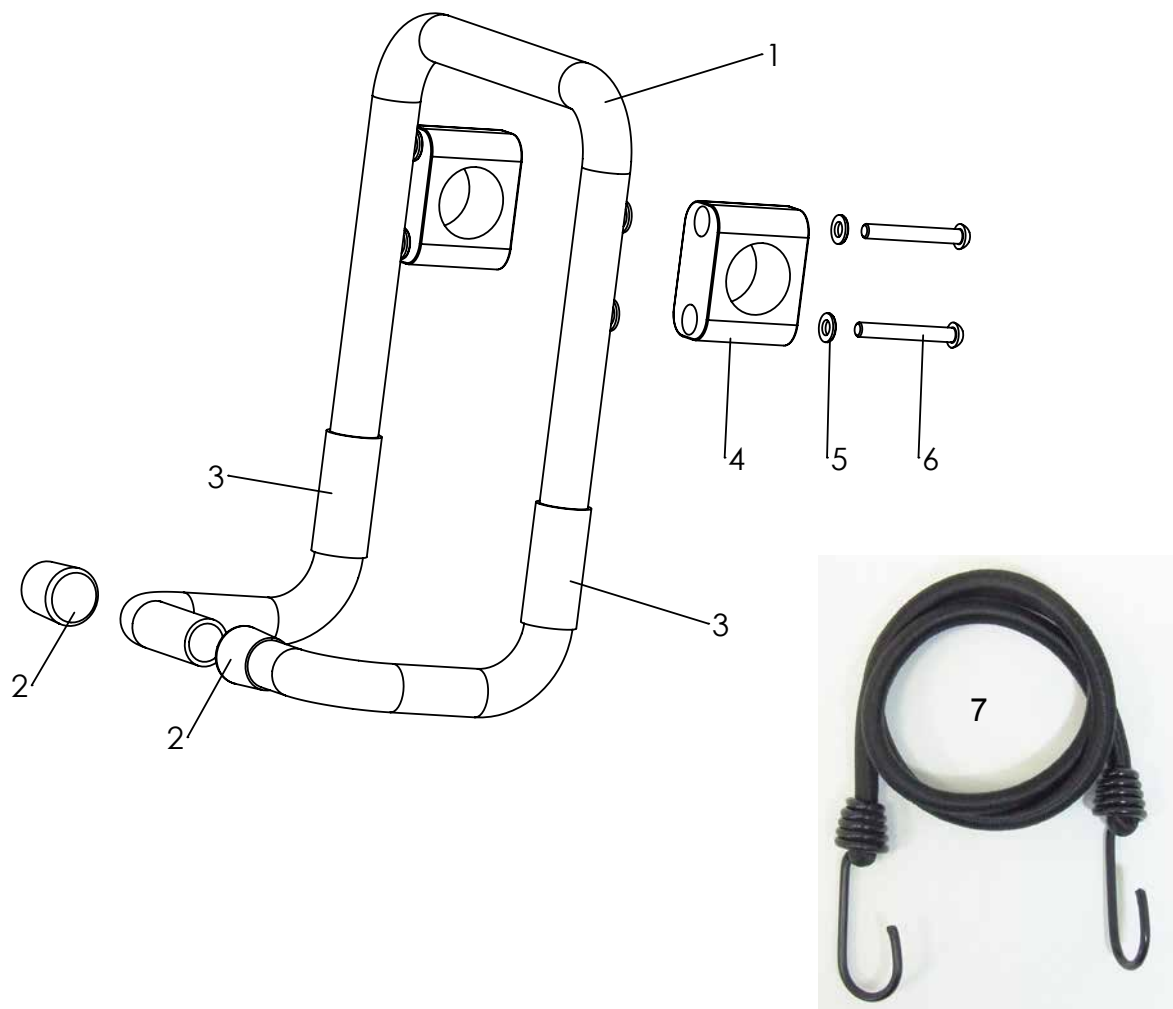
Pos	Article number	Articel description	Quantity	Unit
1-27	3301-6000	Dynamic hip control kit for orthoses	1	Set
	3301-6001	Dynamic hip control, suspension soft (yellow)	1	Set
	3301-6002	Dynamic hip control, suspension hard (red)	1	Set
1	1131-0045-009	Compression spring, yellow	1	Pc.
	1131-0046-011	Compression spring, red	1	Pc.
2-7	3301-6040	Console unit	1	Pc.
2	3301-6050-006	Console silver anodized	1	Pc.
3	3301-6070	Flange bushing	1	Pc.
4	3301-6060	Slide rail	1	Pc.
5	1150-0003	O-Ring 10x3	1	Pc.
6	1029-0612	Button head socket screw M6x12	2	Pc.
7	1051-0006	Washer A6,4	2	Pc.
8	1070-0330	Spring pin 3x30	1	Pc.
9	3301-6033	Sliding ring	1	Pc.
10	3301-6032	Sliding bushing	1	Pc.
10.1	2001-1230	Distance sleeve 11,5x8,2x3,5	1	Pc.
11	3301-6021	Joint shaft	1	Pc.
12	1090-0001	Grooved ball bearing	2	Pc.
13	3301-6031	Bearing housing	1	Pc.
14	1051-0008	Washer A8,4	3	Pc.
15	1021-0830	Hexagon socket head cap screw M8x30	1	Pc.
16-20	3301-5910	Clamp bracket	1	Pc.
16	1021-0635	Hexagon socket head cap screw M6x35	4	Pc.
17	3301-5915	Clamping shell 45	2	Pc.
18	3301-5913	Hollow axle	1	Pc.
19	1042-0006	Hexagon nut self-locking M6	4	Pc.
20	3301-5211	Clamp shell	2	Pc.
21-27	3301-6080	Trapeze adapter	1	Pc.
21	1127-0010	Lock pin d6xM10xS10x31	1	Pc.
22	1059-0001	Shim ring 10x16x1,2	1	Pc.
23	1063-0410	Blind rivet S4x10	4	Pc.
24	3301-6081-006	Trapezoidal sheet	1	Pc.
25	3301-6082-006	Adapter Anodized	1	Pc.
26	1063-0410	Blind rivet S4x10	6	Pc.
27	3301-6091	Base plate PE black 270x131,15x2 mm	1	Pc.
21-28	3301-6300	Hip belt for dynamic hip control, hip size 53 - 83 cm	1	Pc.
	3302-6300	Hip belt for dynamic hip control, hip size 65 - 115 cm	1	Pc.

Spare parts



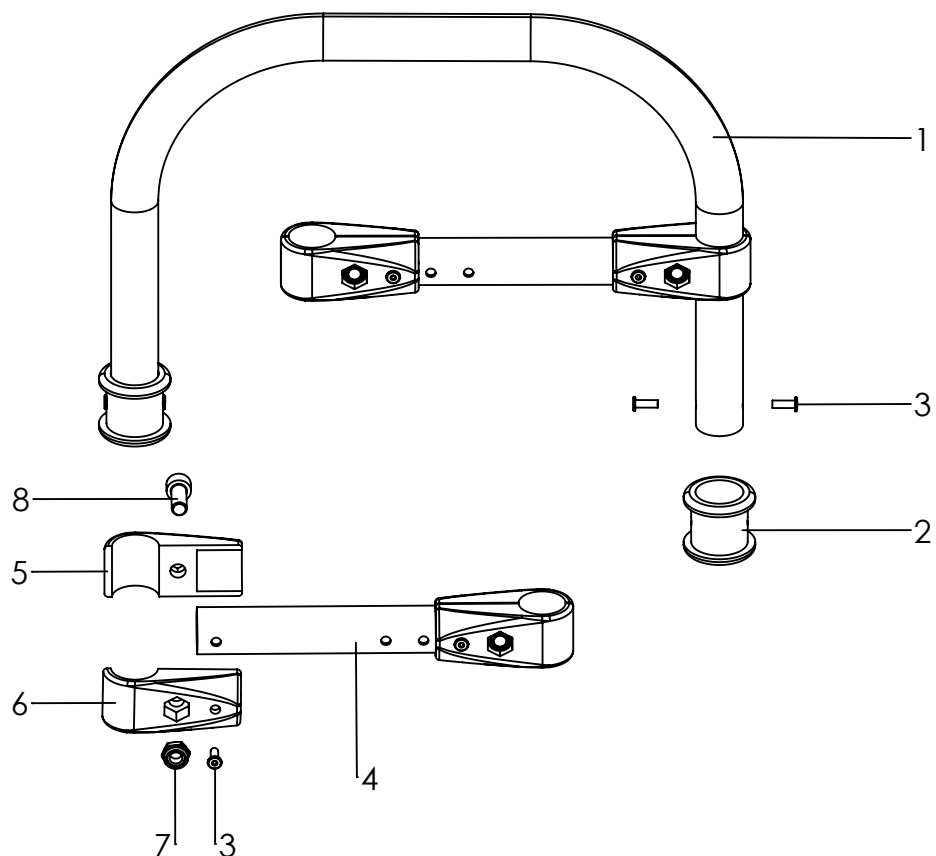
Pos	Article number	Articel description	Quantity	Unit
1-5	3202-7100	Swivel lock, for two castor fork`s	1	Set
1	3202-7110	Swivel lock housing	2	Pc.
2	1127-0009	Lock pin, with interlocksystem	2	Pc.
3	1021-0625	Hexagon socket head cap screw M6x25	2	Pc.
4	1042-0006	Hexagon nut self-locking M6	2	Pc.
5	1150-0001	O-ring NBR 18x2	2	Pc.

Spare parts



Pos	Article number	Articel description	Quantity	Unit
1-6	3301-6100	Carrier, fits to size 1 and 2	1	Pc.
	3303-6100	Carrier, fits to size 3 and 4	1	Pc.
1	3301-6111	Frame Luggage carrier size 1 and 2	1	Pc.
	3303-6110	Frame Luggage carrier size 3 and 4	1	Pc.
2	1142-0002	Cover K 20 PE black	2	Pc.
3	1143-0006	Soft grip hose, Length: 50 mm	2	Pc.
4	1116-0003	Tube clamp PA black D30	2	Pair
5	1051-0006	Washer A6,4 zp DIN/ISO 125 A6,4	4	Pc.
6	1029-0650	button head socket screw M6x50	4	Pc.
7	7000-0022	Tension belt 800 mm	1	Pc.

Spare parts



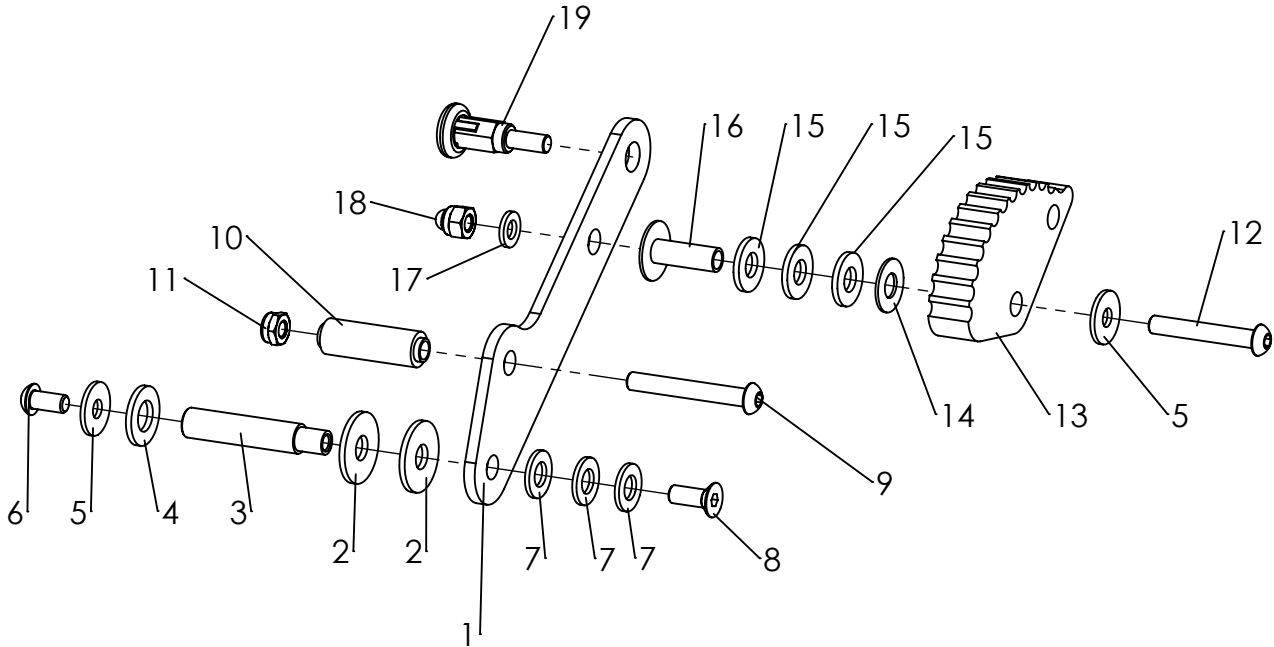
Pos	Article number	Articel description	Quantity	Unit
1-8	3301-6500	Sling seat rail, size 1	1	Set
	3302-6500	Sling seat rail, size 2	1	Set
	3303-6500	Sling seat rail, size 3	1	Set
1-3	3301-6510E	Sling seat rail size 1 with belt guide	1	Pc.
	3302-6510E	Sling seat rail size 2 with belt guide	1	Pc.
	3303-6510E	Sling seat rail size 3 with belt guide	1	Pc.
2	3301-6530	Belt guide	2	Pc.
3	1062-0412	Blind rivet F4x12	8	Pc.
4	3301-6521	Distance tube	2	Pc.
5	1145-0002-001	Tube connector T-90° 25/25 4,2, black	4	Pc.
6	1145-0001-015	Tube connector T-90° 25/25 with hole 4,2, stuctural black	4	Pc.
7	1049-0067	BILOC-nut M8	4	Pc.
8	1021-0820	Hexagon socket head cap screw M8x20	4	Pc.

Spare parts



Pos	Article number	Articel description	Quantity	Unit
1-5	3302-6400	Sling seat, hip size 57 - 77 cm	1	Set
	3303-6400	Sling seat, hip size 73 - 103 cm	1	Set
2	1530-0004	Buckle TG 25/N	2	Pc.
3	1512-0006	PP-strap 25x350 black one sewn loop with a clip and a buckle	2	Pc.
4	1511-2535	PE-strap 25x350	2	Pc.
5	1512-0007	PP-strap 25x350 black one sewn loop with a clip	2	Pc.

Spare parts



Pos	Article number	Articel description	Quantity	Unit
1-19	3301-6700	Low friction reverse roll lock	1	Set
1	3301-6711	Holder backstop	2	Pc.
2	1055-0008	Washer A8,4	4	Pc.
3	3301-1815	Axle	2	Pc.
4	1051-0010	Washer A10,5	2	Pc.
5	1055-0006	Washer A6,4	4	Pc.
6	1029-6001	Button head socket screw M6x12 Tufflock	2	Pc.
7	1051-0008	Washer A8,4	6	Pc.
8	1024-0616	Hexagon socket countersunk head screw M6x16	2	Pc.
9	1029-0645	Button head socket screw M6x45	2	Pc.
10	3245-3015	Bearing shaft	2	Pc.
11	1042-0006	Hexagon nut self-locking M6	2	Pc.
12	1029-0640	Button head socket screw M6x40	2	Pc.
13	3301-6712	Blocker	2	Pc.
14	1113-0003	Washer PA 18x8,4x1 black	2	Pc.
15	1113-0035	Washer PA 18x8,4x2 black	6	Pc.
16	3231-2532	Pivot bearing	2	Pc.
17	1051-0006	Washer A6,4	2	Pc.
18	1044-0006	Hexagonal domed cap nut self-locking M6	2	Pc.
19	1127-0009	Lock pin d6xM10xS10x33,5	2	Pc.

HOGGI GmbH
Eulerstraße 27 • 56235 Ransbach-Baumbach • Deutschland
Telefon: (+49) 2623 / 92 499-0 • Telefax: (+49) 2623 / 92 499-99
E-mail: info@hoggi.de • www.hoggi.de
