
HOGGI[®]



FLUX 4
Spare parts catalogue

en

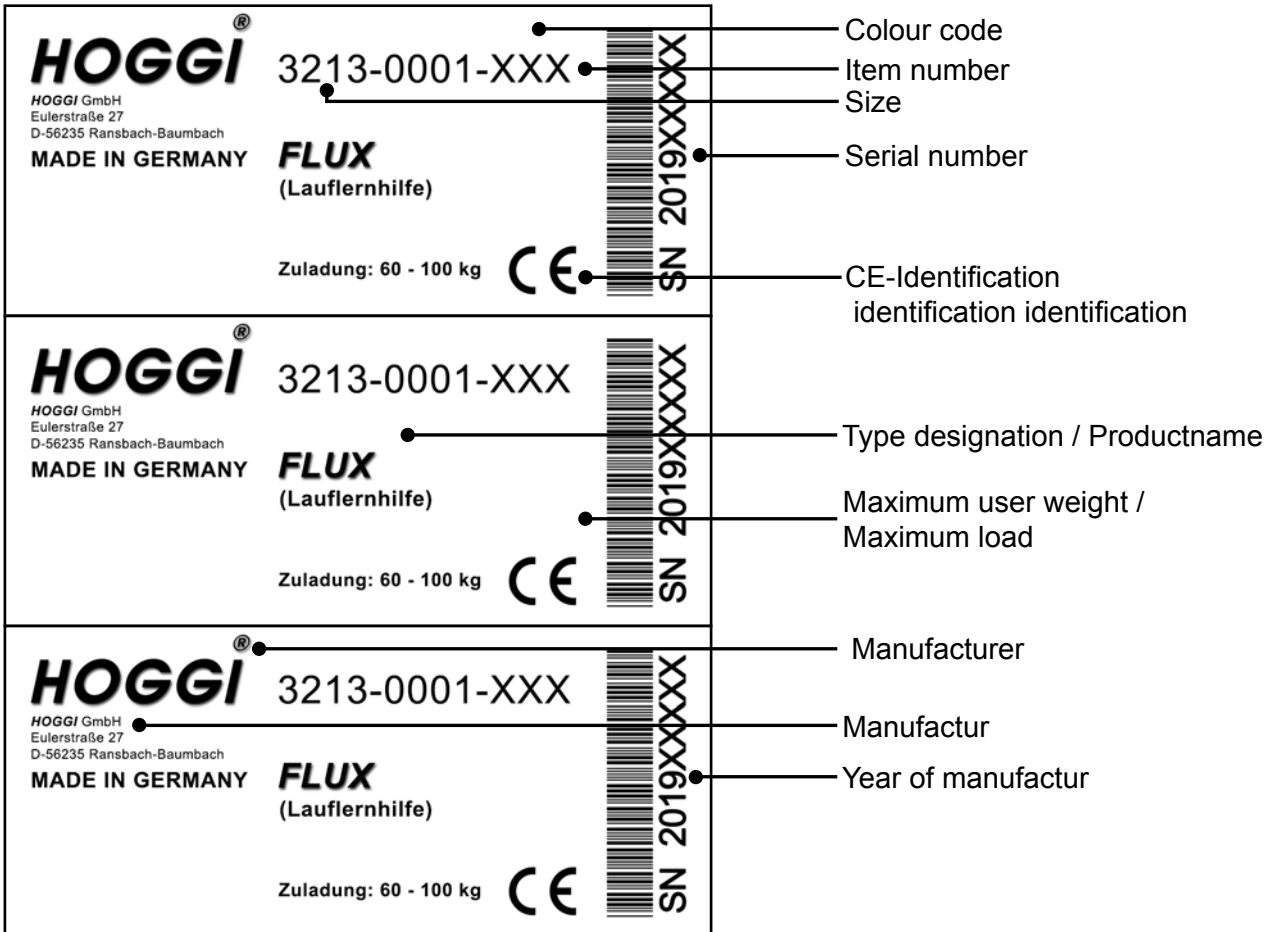
Index

1	Modellidentification and basic equipment	
1.1	Modellidentification _____	3
1.2	Basic equipment _____	3
2	Assemblies _____	
2.1	Assembly overview _____	4
3	Spare parts	
3.1	Front frame _____	5
3.2	Back frame _____	6
3.3	Multifunktional part left _____	7
3.4	Multifunktional part right _____	8
3.5	Backing _____	9
3.6	Glider _____	10
3.7	Grab rail standard, _____	11
3.8	Grab rail w/universal handle _____	12
3.9	Caster fork _____	13
3.10	Wheels _____	14
3.11	Lower arm support with handles _____	15
3.12	Lower arm support with handles, 3-axis adjustable _____	16
3.13	Hand disk _____	17
3.14	Bumper wheels _____	18
3.15	Drag brake _____	19
3.16	Brake with wheel lock _____	20
3.17	Anti-tips for FLUX size _____	21
3.18	Anti-tips with rolls _____	22
3.19	Seat, size 4 _____	23
3.20	Hip-/bottom pads, multi adjustable _____	24
3.21	Dynamic hip control kit for orthoses _____	25
3.22	Parts list, Dynamic hip control kit for orthoses _____	26
3.23	Swivel lock, for two castor fork`s _____	27
3.24	Carrier _____	28
3.25	Sling seat rail _____	29
3.26	Sling seat _____	30

Modelidentification

1.1 Model identification

Please give us the Serial number with every spare part order, to ensure a correct delivery.

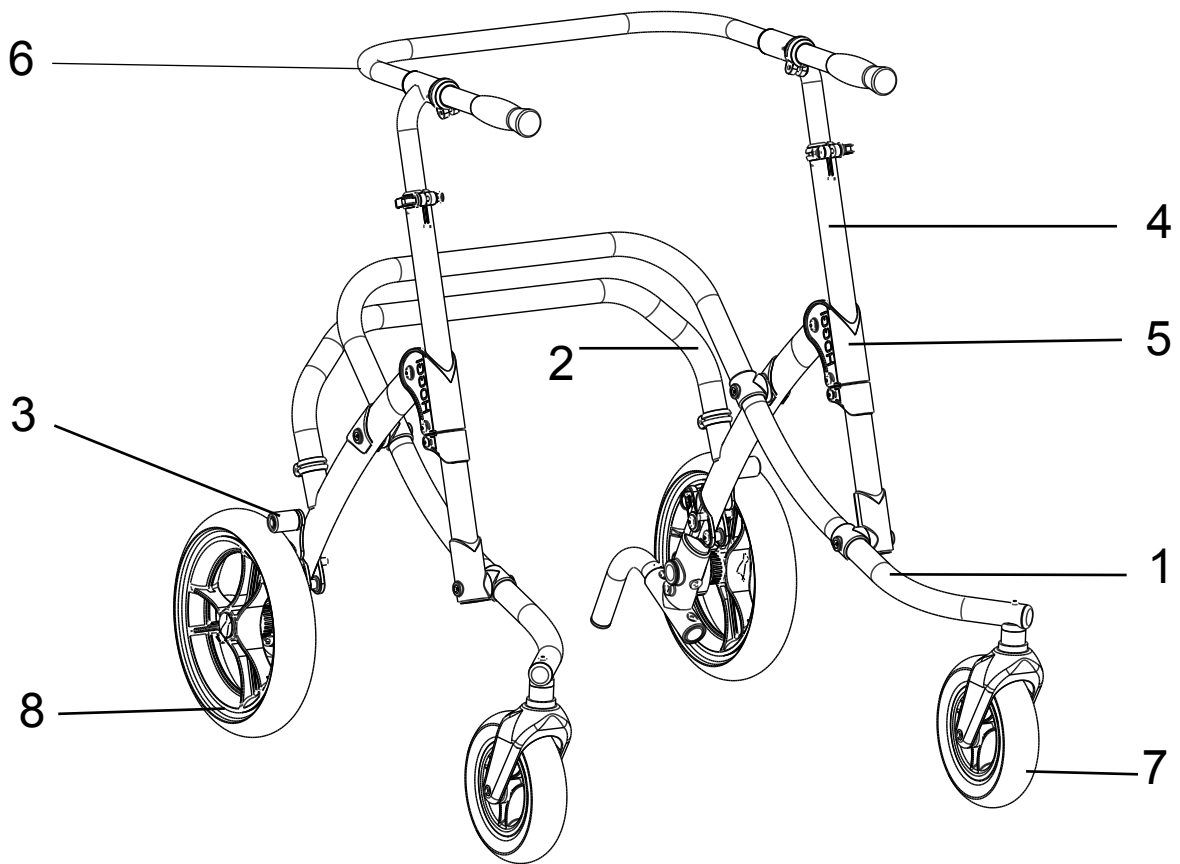


1.2 Basic configuration

The basic configuration includes:

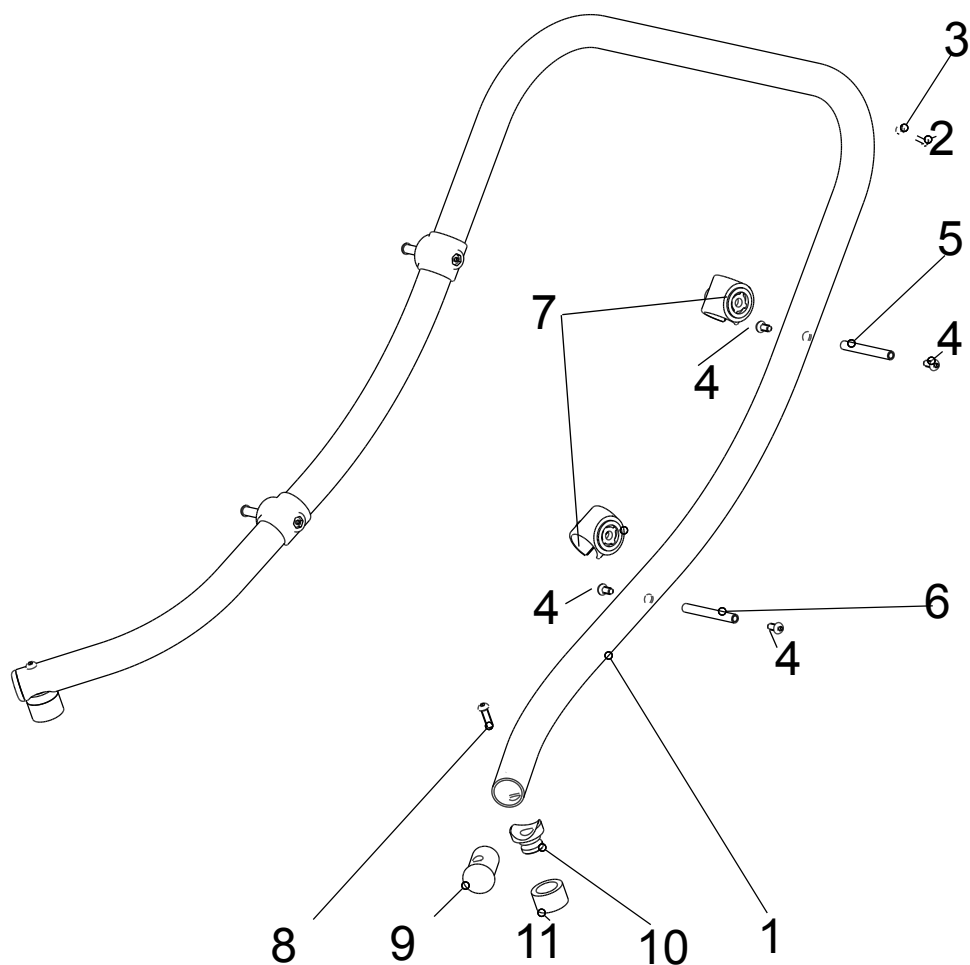
- Hight and depth adjustable grab rails
- Swiveling Front wheels
- puncture-proof wheels
- On and off switchable backstop, on the rear wheels

2 Component overview



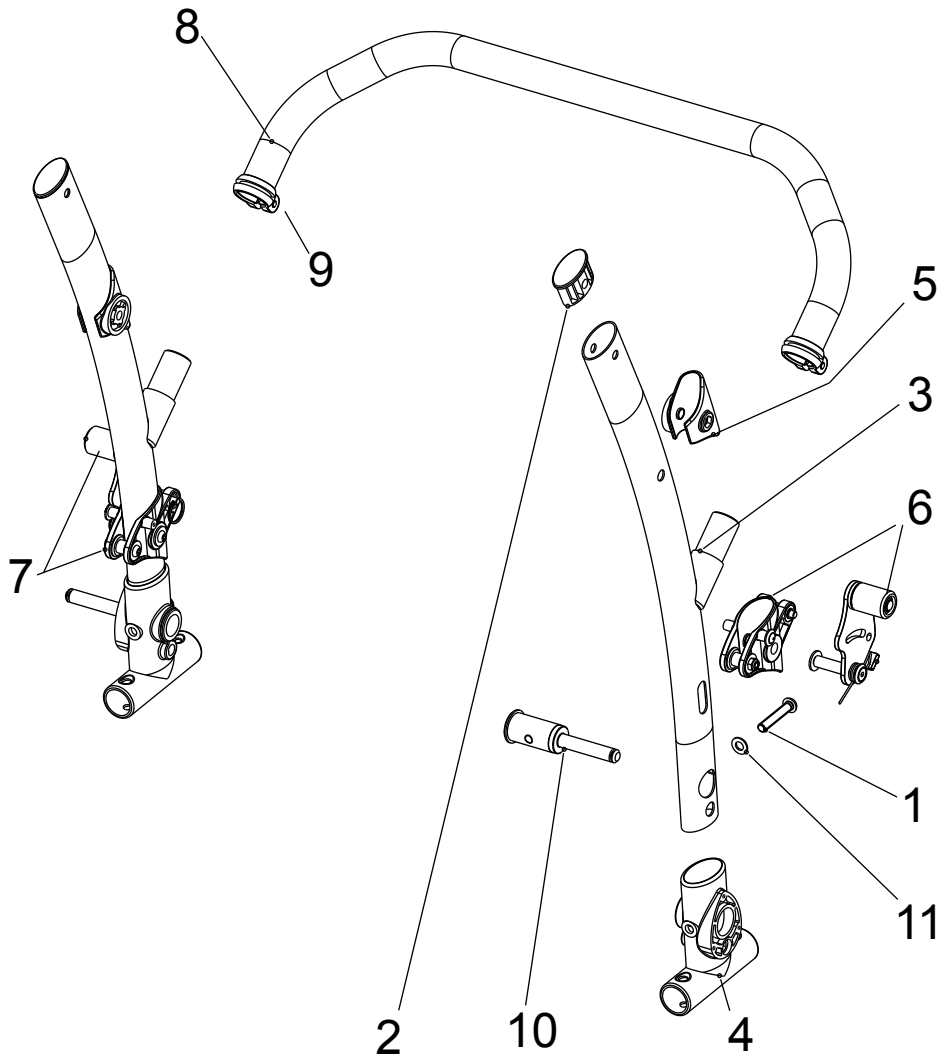
Pos	Article number	Articel description	Page
1-8	3313-0000-021	Flux 4	
1	3313-1100	Front frame	5
2	3313-1200	Back frame	6
3	3313-1820	Multifunctional part with reverse roll lock right	8
4	3313-1300	Backing	9
5	3313-1400	Glider	10
	3313-XX00	Grab rail	11
7-8	1121-XXXX	Wheels	14

Spare parts



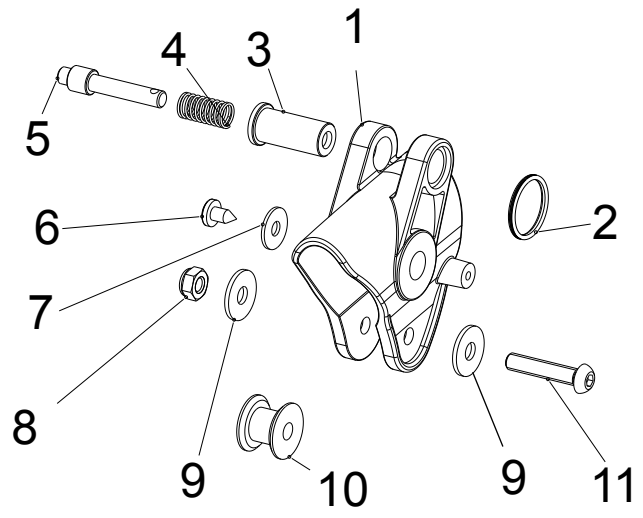
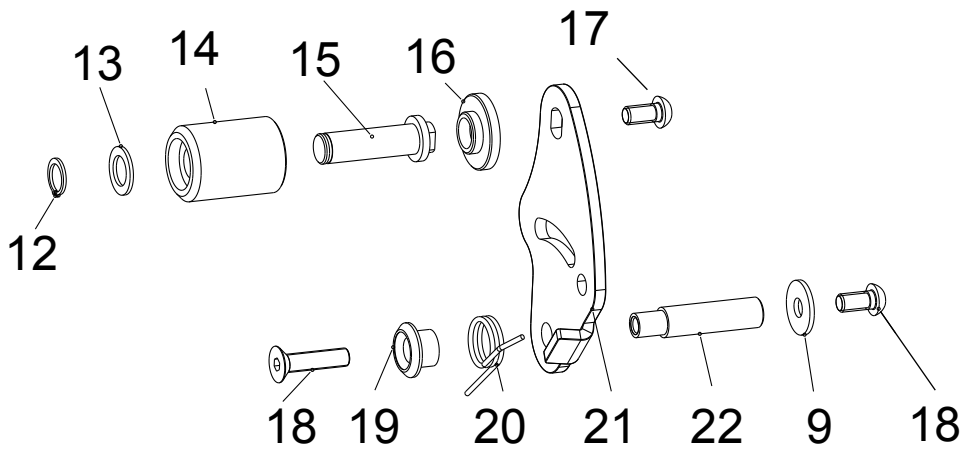
Pos	Article number	Articel description	Quantity	Unit
1-11	3313-1100E-000	Front frame, complete	1	Set
1-7	3313-1110E-000	Front frame with fasteners	1	Pc.
1	3313-1110-000	Front frame	1	Pc.
2	1062-0412	Blind rivet F4x12	4	Pc.
3	1112-0010	Spacer PA black 8x4,3x3	4	Pc.
4	1029-6001	Button head socket screw,Tufflock M6x12	8	Pc.
5	1114-0056	Threaded bushing 8xM6x67,5	2	Pc.
6	1114-0057	Threaded bushing 8xM6x71	2	Pc.
7	3313-1160	Hinge bandage D30	4	Pc.
8	1029-0620	Button head socket screw M6x20	2	Pc.
9	3301-1120	Threaded insert M12	2	Pc.
10	3301-1130	Saddle bushing	2	Pc.
11	3202-1151	Cover ring	2	Pc.

Spare parts



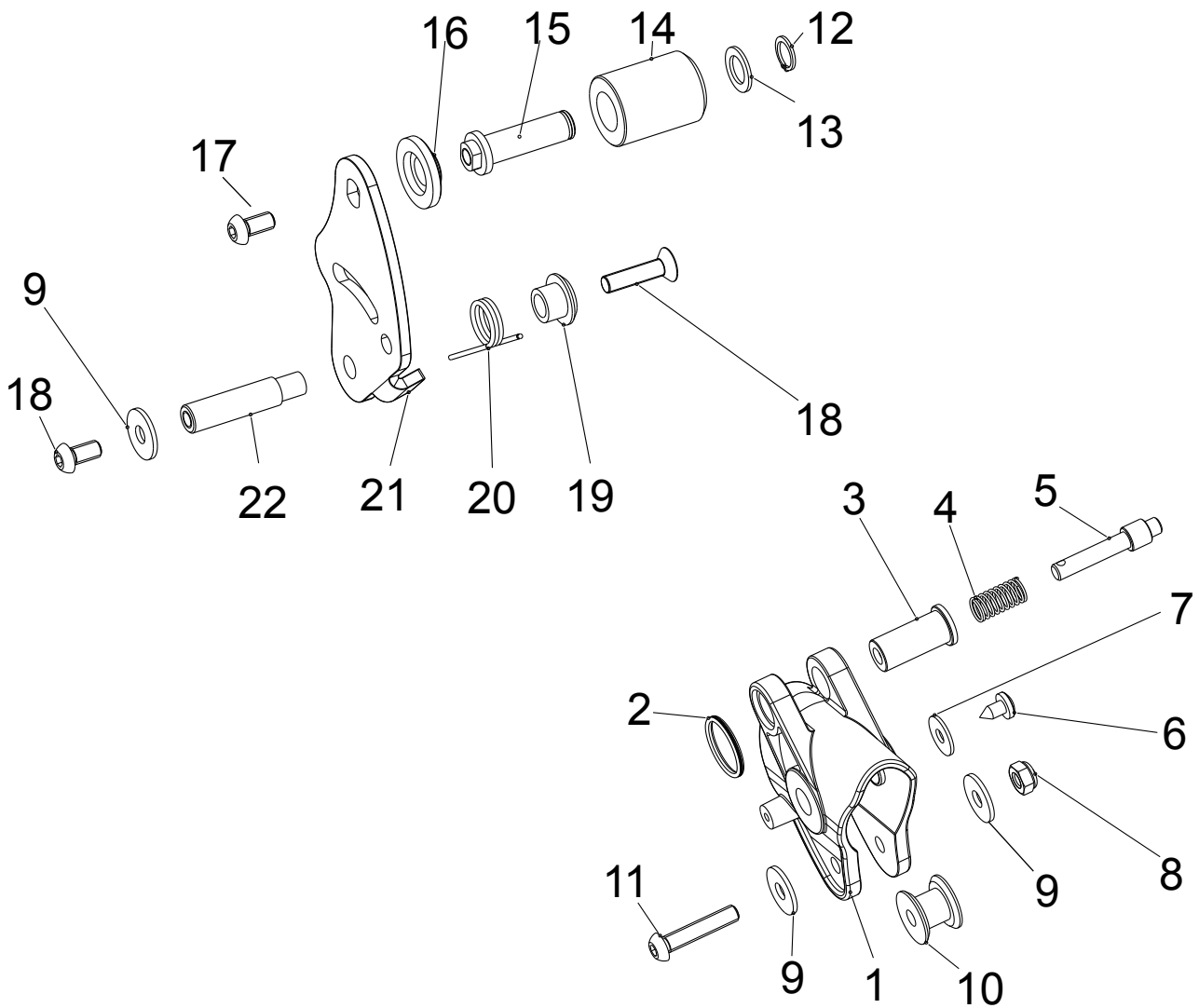
Pos	Article number	Articel description	Quantity	Unit
1-12	3313-1200E-021	Bake frame, complete	1	Pc.
1-6	3313-1210E-021	Bar, back, with fasteners	1	Pc.
1	1029-0845	Button head socket screw M8x45	2	Pc.
2	3201-1270	Plug	2	Pc.
3	3313-1210-021	Back bar, size 4	2	Pc.
4	3313-1220	Connector	2	Pc.
5	3313-1240	Hinge bandage oval	2	Pc.
6	3313-1810	Multifunctional part with revers roll lock left	1	Pc.
7	3313-1820	Multifunctional part with revers roll lock right	1	Pc.
8	3313-1270E-021	Roll bar	1	Pc.
9	1129-0010	Saddle clamp d 29,8 mm black	2	Pc.
10	3313-1230	Stub shaft	2	Pc.
11	1051-0005	Washer A5,3	2	Pc.

Spare parts



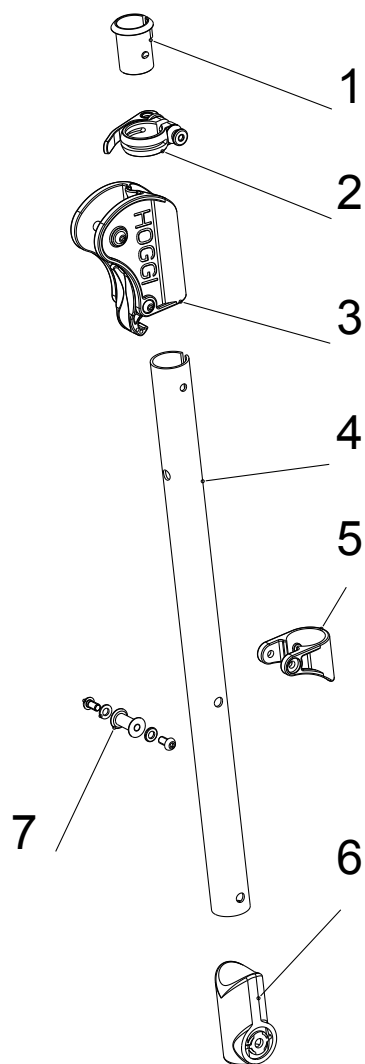
1-22	3313-1810E	Multifunctional part with revers roll lock left	1 Pc.
1	3313-1251	Revers roll lock bracket	1 Pc.
2	1129-0003	Key ring 24x1,5	1 Pc.
3	3201-7520	Spring housing	1 Pc.
4	1131-0036	Compression spring D-127d 0,8x8,3x29	1 Pc.
5	3313-1817	Plunger block	1 Pc.
6	1039-0001	Screw for plastic, cross recessed pan head w. flange 4x10	1 Pc.
7	1055-0005	Washer A5,3	1 Pc.
8	1042-0006	Hexagon nut self-locking M6	1 Pc.
9	1055-0006	Washer A6,4	2 Pc.
10	3313-1253	Shaft axle	1 Pc.
11	1029-0630	Button head socket screw M6x30	1 Pc.
12	1080-0010	Retaining ring for shaft 10x1	1 Pc.
13	1059-0001	Shim ring zp 10x16x1,2	1 Pc.
14	3313-1813	Freewheel housing long	1 Pc.
15	3301-1812	Freewheel axle	1 Pc.
16	3301-1814	Spacer bushing	1 Pc.
17	1029-6001	Button head socket screw, Tufflock M6x12	2 Pc.
18	1024-0616	Hexagon socket countersunk head screw M6x16	1 Pc.
19	3301-1816	Spring hanger	1 Pc.
20	1133-0012	Leg spring T-18854L 1,6x14,4x3,00	1 Pc.
21	3301-1811-001	Base plate left	1 Pc.
22	3313-1815	Axis	1 Pc.

Spare parts



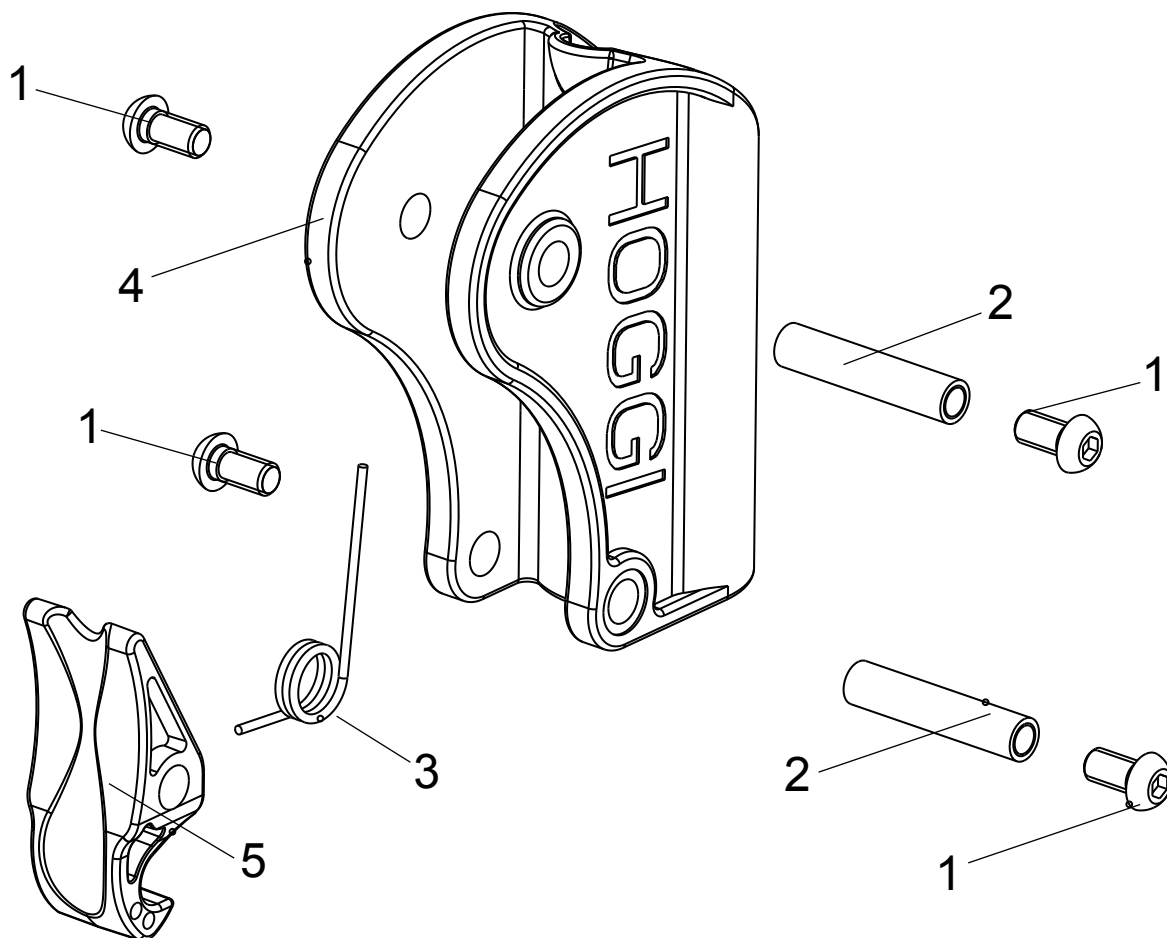
Pos	Article number	Articel description	Quantity	Unit
1-22	3313-1820E	Multifunctional part with revers roll lock right	1	Pc.
1	3313-1251	Revers roll lock bracket	1	Pc.
2	1129-0003	Key ring 24x1,5	1	Pc.
3	3201-7520	Spring housing	1	Pc.
4	1131-0036	Compression spring D-127d 0,8x8,3x29	1	Pc.
5	3313-1817	Plunger block	1	Pc.
6	1039-0001	Screw for plastic, cross rcessed pan head w. flange 4x10	1	Pc.
7	1055-0005	Washer A5,3	1	Pc.
8	1042-0006	Hexagon nut self-locking M6	1	Pc.
9	1055-0006	Washer A6,4	2	Pc.
10	3313-1253	Shaft axle	1	Pc.
11	1029-0630	Button head socket screw M6x30	1	Pc.
12	1080-0010	Retaining ring for shaft 10x1	1	Pc.
13	1059-0001	Shim ring zp 10x16x1,2	1	Pc.
14	3313-1813	Freewheel housing long	1	Pc.
15	3301-1812	Freewheel axle	1	Pc.
16	3301-1814	Spacer bushing	1	Pc.
17	1029-6001	Button head socket screw, Tufflock M6x12	2	Pc.
18	1024-0616	Hexagon socket countersunk head screw M6x16	1	Pc.
19	3301-1816	Spring hanger	1	Pc.
20	1133-0012	Leg spring T-18854L 1,6x14,4x3,00	1	Pc.
21	3301-1821-001	Base plate right	1	Pc.

Spare parts



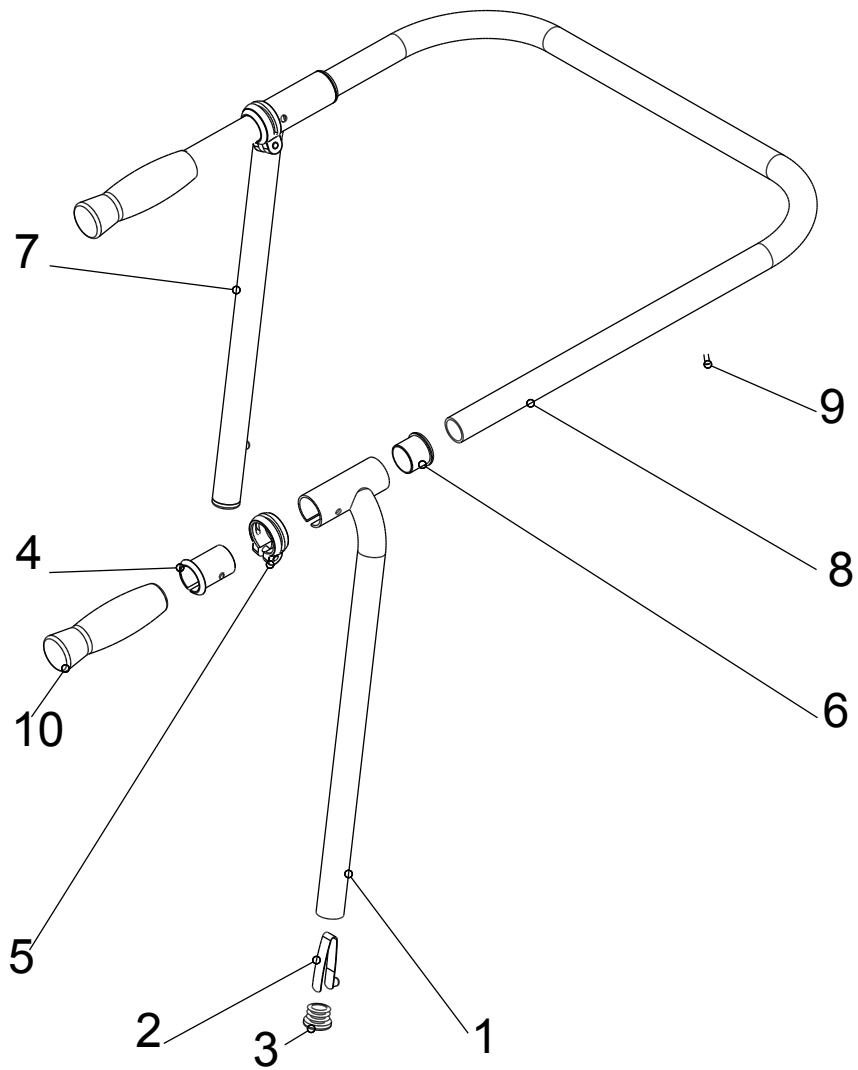
Pos	Article number	Articel description	Quantity	Unit
1-7	3313-1300E-021	Backing complete	2	Pc.
1	3301-1240	Clamp bushing	1	Pc.
2	1129-0007	Saddle clamp with quick-release D 31,8 left	1	Pc.
	1129-0006	Saddle clamp with quick-release D 31,8 right	1	Pc.
3	3313-1400E	Glider complete	1	Pc.
4	3313-1310-021	Support	1	Pc.
5	3313-1331	Glider stopper	1	Pc.
6	3313-1320	Support tube bearing	1	Pc.
7	3313-1332E	Clamp with fasteners	1	Pc.

Spare parts



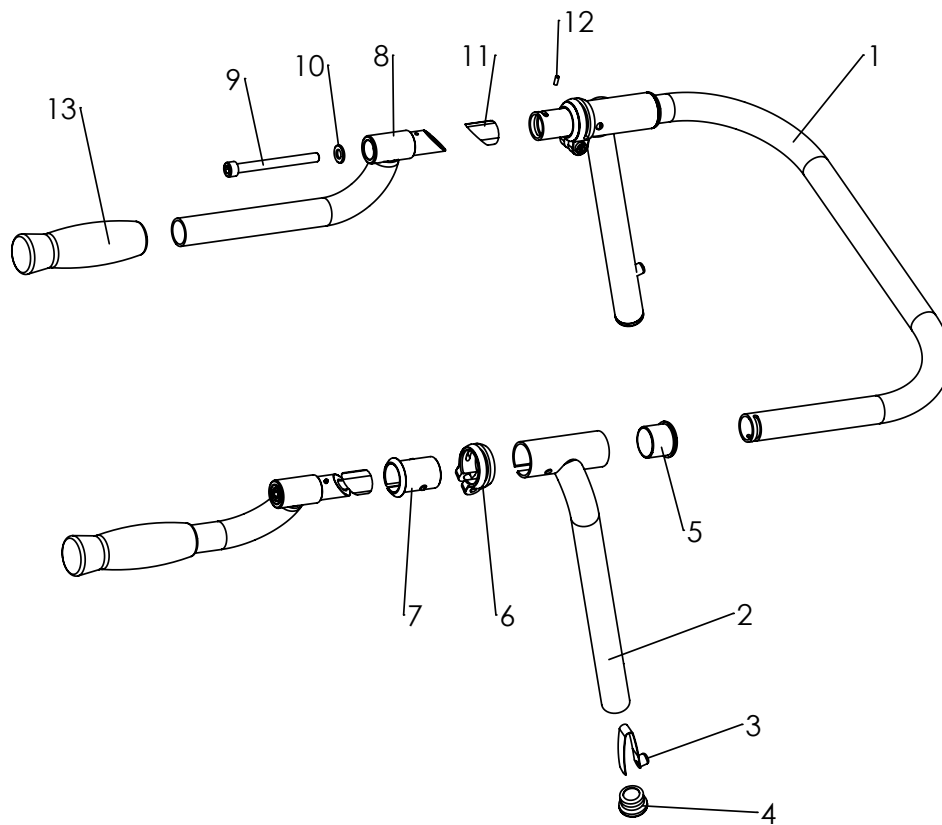
Pos	Article number	Articel description	Quantity	Unit
1-5	3313-1400E	Glider complete	1	Pc.
1	1029-0612	button head socket screw M6x12	4	Pc.
2	1114-0028	Threaded bushing 8xM6x38	2	Pc.
3	1133-0016	Leg spring T-18805L 1,6x12, 1x3,25	1	Pc.
4	3313-1411	Glider	1	Pc.
5	3313-1412	Safety hook	1	Pc.

Spare parts



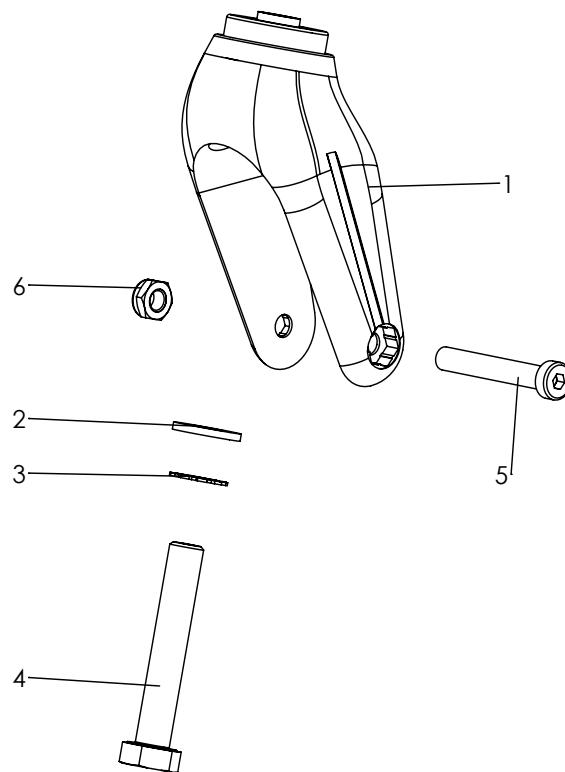
Pos	Article number	Articel description	Quantity	Unit
1-10	3313-1500E	Grab rail standard, size 4	1	Pc.
1-6	3313-1510E-006	Bracket left complete, anodised bright	1	Pc.
2-7	3313-1520E-006	Bracket right complete, anodised bright	1	Pc.
2	1134-0006	Snap button 7,7x9,4	1	Pc.
3	1141-0015	Ribbed insert GL 25x1-2.5	1	Pc.
4	3301-1240	clamp bushing	1	Pc.
5	1129-0008	Saddle clamp with bolt D 31,8	1	Pc.
6	3301-1530	Flange bushing	1	Pc.
8-10	3313-1540	Handle standard	1	Pc.
8	3313-1541-006	Tube bend handle standard size 4	1	Pc.
9	1062-0408	Blind rivet F4x8	2	Pc.
10	1143-0005	Handle grip black d25 x 120	2	Pc.

Spare parts



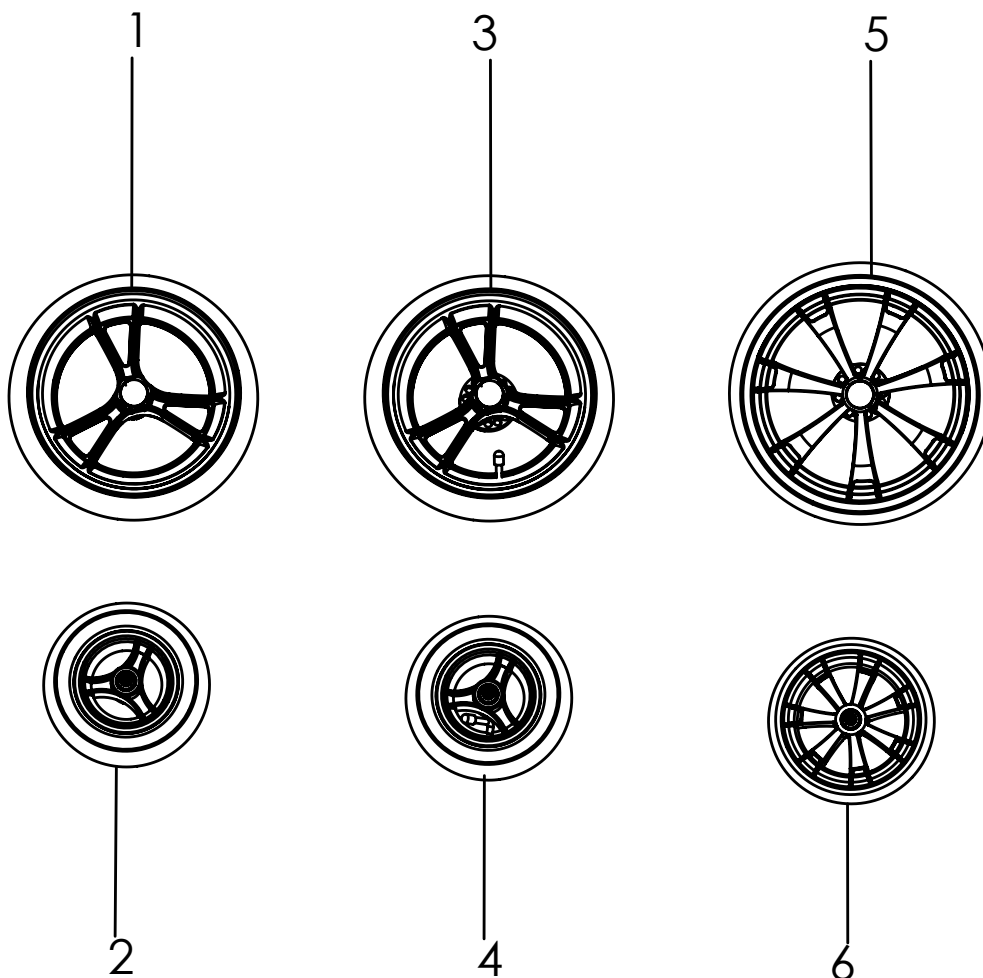
Pos	Article number	Articel description	Quantity	Unit
1-13	3313-5100E	Grab rail w/universal handle, size 4 complete	1	Pc.
1	3303-5110-006	Bend of grab rail universal, size 4	1	Pc.
2-7	3313-1510E	Pillar left complete	1	Pc.
	3313-1520E	Pillar right complete	1	Pc.
3	1134-0006	Snap button B 141	2	Pc.
4	1141-0015	Ribbed insert GL 25x1-2.5	2	Pc.
5	3301-1530	Flange bushing	2	Pc.
6	1129-0008	Saddle clamp with bolt D 31,8	2	Pc.
7	3301-1240	Clamp bushing	2	Pc.
8-13	3301-5120	Universal handle, complete	1	Pc.
8	3301-5130	Universal handle	2	Pc.
9	1021-0885	Hexagon socket head cap screw M8x85	2	Pc.
10	1051-0008	Washer A8,4	2	Pc.
11	1089-0002	Wedge M8x21	2	Pc.
12	1070-0308	Spring pin 3x8	2	Pc.
13	1143-0005	Handle grip black d25 x 120	2	Pc.

Spare parts



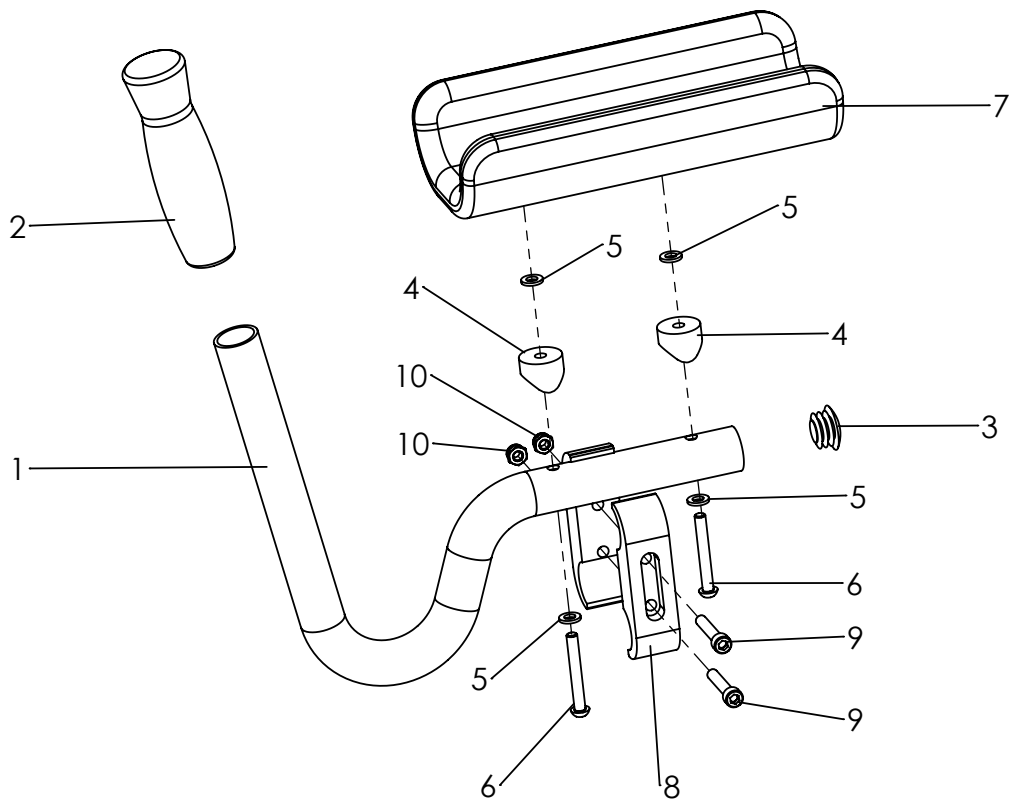
Pos	Artikelnummer	Artikelbezeichnung	Menge	ME
1	1281-0007	Lenkgabel LG-K-200-12 200x60	1	St
2	1051-0012	Scheibe A 13	1	St
3	1056-0021	Zahnscheibe A12,5	1	St
4	3301-1150	Achsbolzen 12x70 mit M6 Innengewinde	1	St
5-6	1205-0855E	Innensechskantschraube M8x55 mit Mutter	1	St

Spare parts



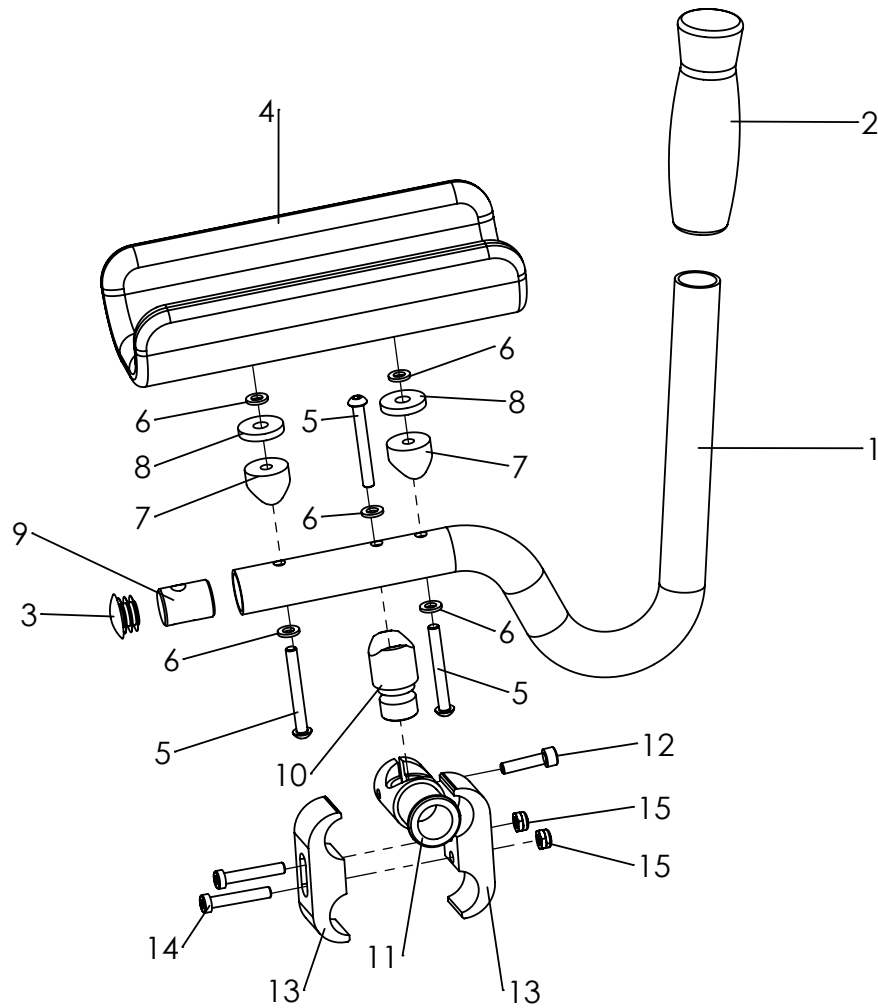
Pos	Article number	Articel description	Quantity	Unit
1	1221-2961	PU-wheel 290x60 with break disk and quick release	2	Pc.
2	1221-1950	PU-wheel 190x50	2	Pc.
3	1211-2961	Pneumatic wheel 290x60, quick release	2	Pc.
4	1211-1950	Pneumatic wheel 190/50	2	Pc.
5	1221-3061	PU-Wheel R300/60, chrome, with break disk	2	Pc.
	1221-3063	PU-Wheel R300/60, ABS black, with break disk	2	Pc.
6	1221-2048	PU-Wheel R200/48 chrome rim	2	Pc.
	1221-2049	PU-Wheel R200/48 ABS black	2	Pc.

Spare parts



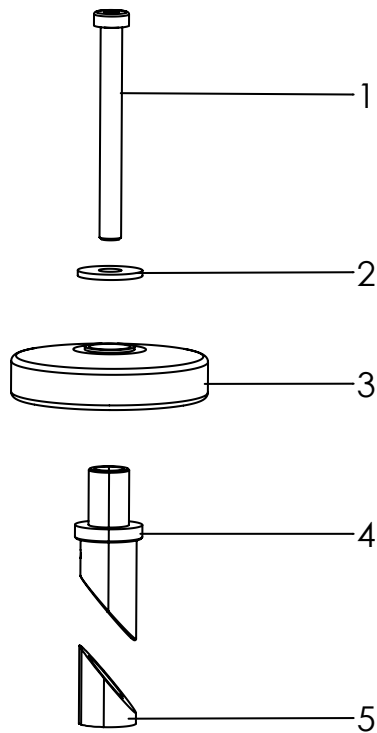
Pos	Article number	Articel description	Quantity	Unit
1-10	3302-5200	Lower arm support with handles	2	Set
1	3301-5321-006	Handle tube, anodized	2	St
2	1143-0005	Handle grip black d25 x 120	2	St
3	1141-0009	Ribbed insert SFL 25x1-2,5	2	St
4	1111-0001	Saddle washer PA black 24x6.3x8	2	St
5	1051-0006	Washer A6,4	2	St
6	1029-0645	Button head socket screw M6x45	2	St
7	3302-5240	Lower arm support	2	St
8-10	3301-5210	Terminal holder, 60mm	2	St
9	1021-0635	Hexagon socket head cap screw M6x35	2	St
10	1042-0006	Hexagon nut self-locking M6	2	St

Spare parts



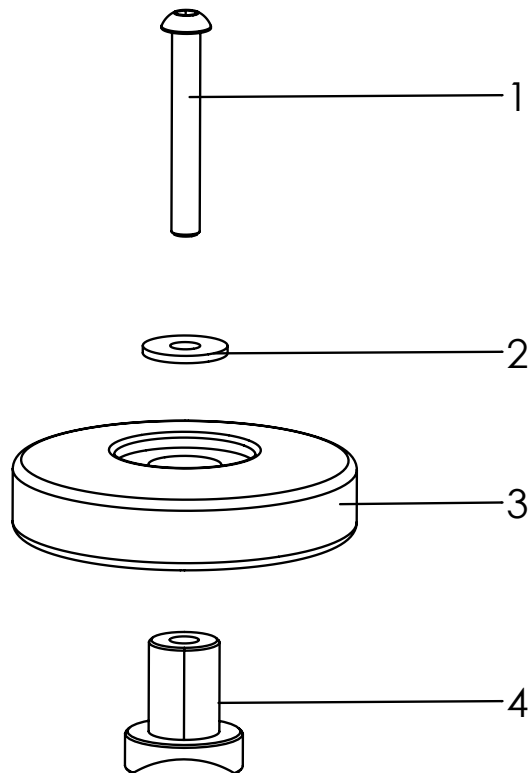
Pos	Article number	Articel description	Quantity	Unit
1-13	3302-5300	Lower arm support with handles, 3-axis adjustable	1	Set
1	3301-5321-006	Handle tube, anodized	2	Pc.
2	1143-0005	Handle grip black d25 x 120	2	Pc.
3	1141-0009	Ribbed insert SFL 25x1-2,5	2	Pc.
4	3302-5240	Lower arm support	2	Pc.
5	1029-0650	Button head socket screw M6x50	6	Pc.
6	1051-0006	Washer A6,4	10	Pc.
7	1111-0001	Saddle washer PA black 24x6.3x8	4	Pc.
8	1113-0047	Washer PA black 24x8,4x4	4	Pc.
9	3251-2135	Block D8	2	Pc.
10	3301-5360	Distance bush	2	Pc.
11	3301-5350	Clamping shaft	2	Pc.
12	1021-0625	Hexagon socket head cap screw M6x25	2	Pc.
13	3301-5915	Clamp shell 45mm long	4	Pc.
14	1021-0635	Hexagon socket head cap screw M6x35	4	Pc.
15	1042-0006	Hexagon nut self-locking M6	4	Pc.

Spare parts



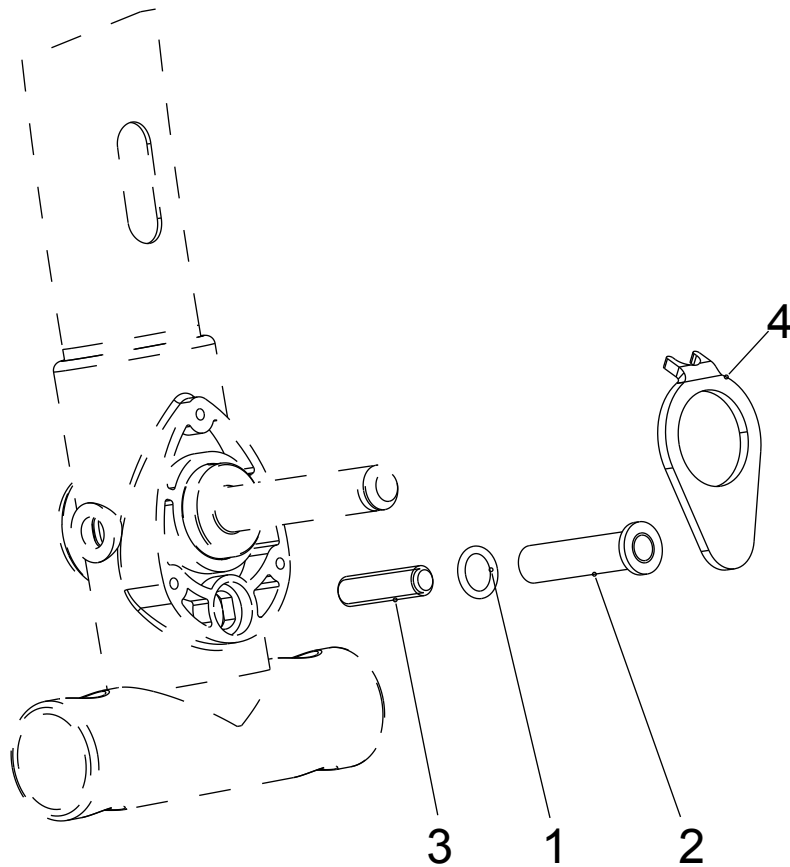
Pos	Article number	Articel description	Quantity	Unit
1-5	3301-6600	Hand disk	1	Set
1	1022-0880	Hexagon socket head cap screw M8x80	2	Pc.
2	1055-0008	Washer A8,4	2	Pc.
3	1249-0002	Bumper wheels 100 mm black	2	Pc.
4	3301-6610	Clamp for hand disk	2	Pc.
5	1089-0002	Wedge M8x21	2	Pc.

Spare parts



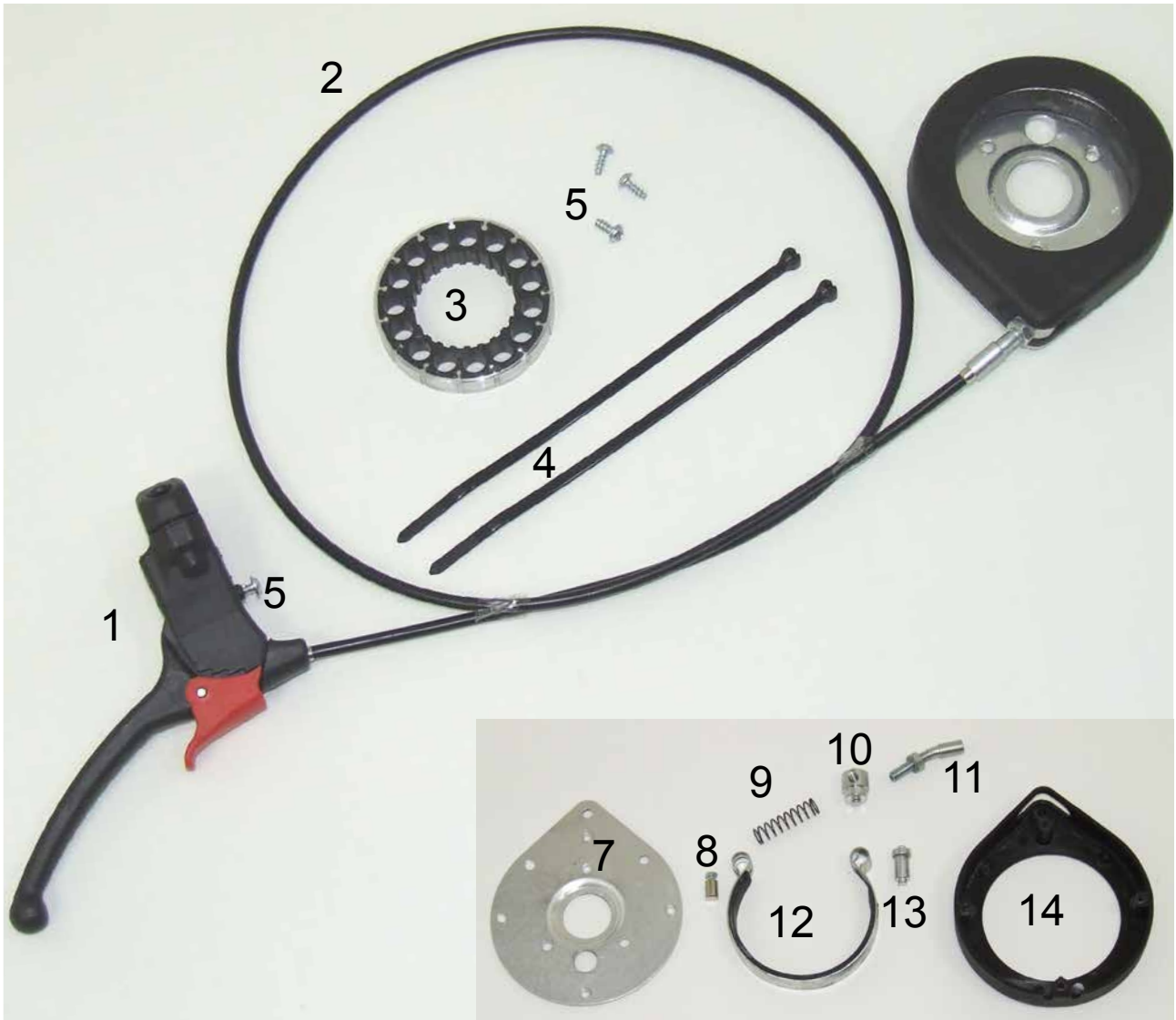
Pos	Article number	Articel description	Quantity	Unit
1-4	3301-5400	Bumper wheels	1	Set
1	1029-0645	Button head socket screw M6x45	2	Pc.
2	1055-0006	Washer A6,4	2	Pc.
3	1249-0001	Deflector role	2	Pc.
4	3301-5410	Saddle bushing	2	Pc.

Spare parts



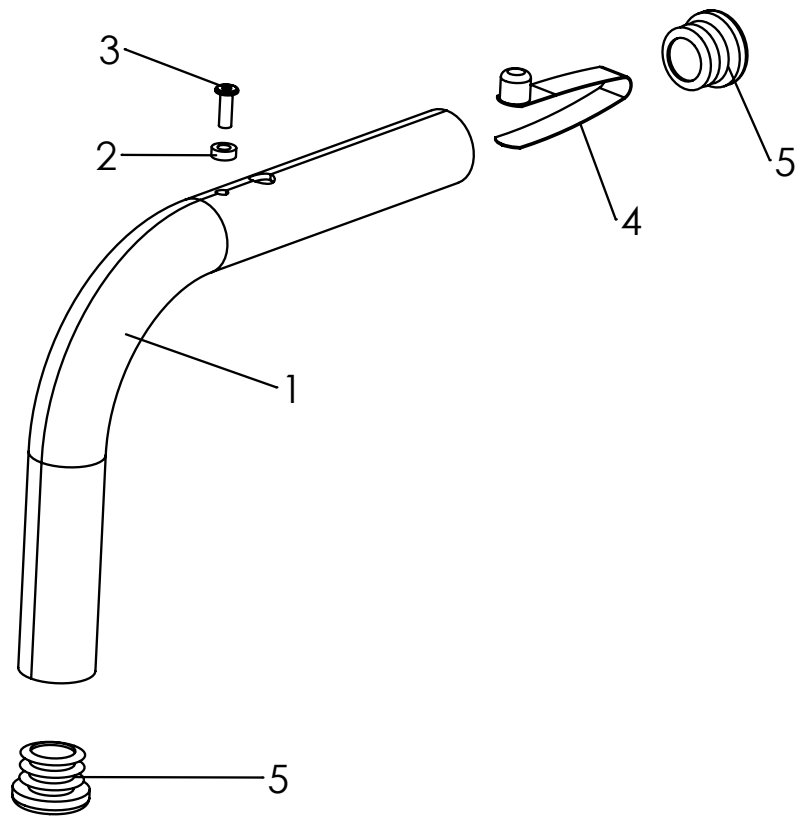
Pos	Article number	Articel description	Quantity	Unit
1-4	3301-5500	Drag brake	1	Set
1	1150-0002	O-ring 10x2	2	Pc.
2	3301-5520	Insert nut	2	Pc.
3	1031-0830	Hexagon socket set screw M8x30	2	Pc.
4	3301-5510	Sliding plate	2	Pc.

Spare parts



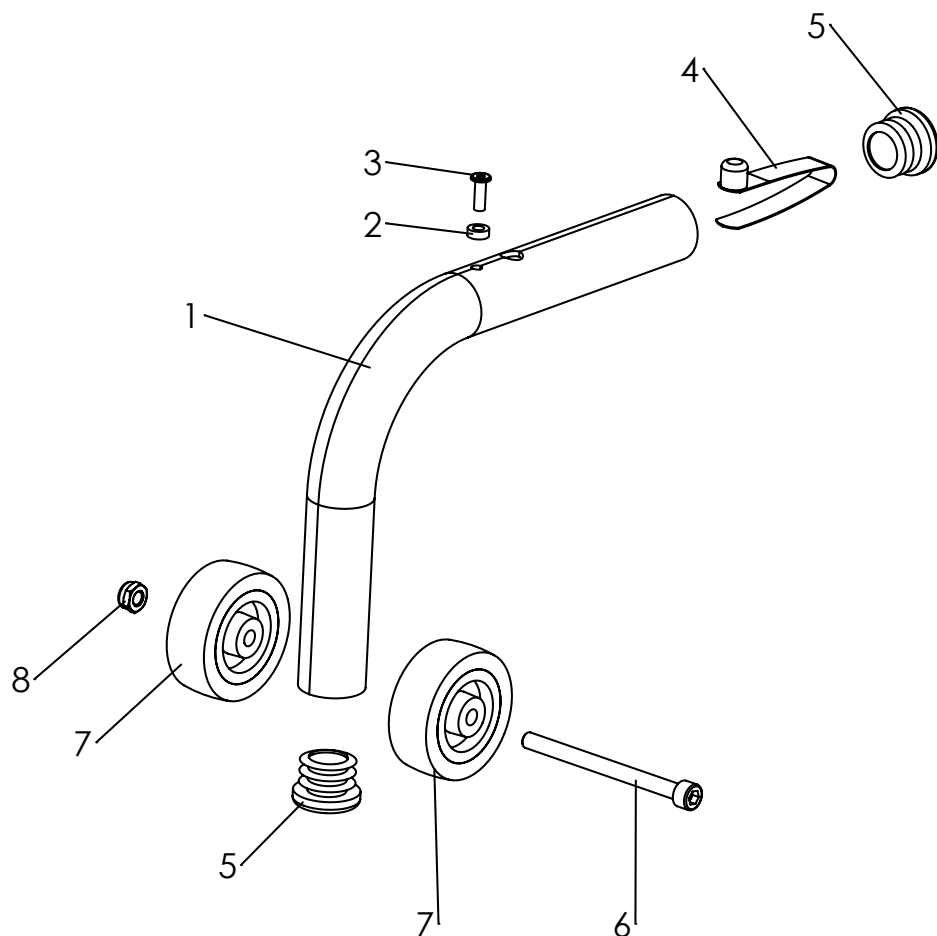
Pos	Article number	Articel description	Quantity	Unit
1	3301-5600	Brake with wheel lock	1	Set
2-5	1209-0002	Hand brake 80° manual lock 25mm	2	Pc.
2+4	1209-0005	Break kabel set	2	Set
3	1209-0006	End cap brass, cable cover	2	Pc.
5	1209-0007	End cap aluminium	2	Pc.
6	1149-0001	Cable clip D 25	2	Pc.
7	1089-0004	Cable tie, black, 5x180	2	Pc.
8	1099-0003	Adjusting screw with nut M6x20/30	2	Pc.
9	3301-5610	Break lever	2	Pc.
10	3301-5620	Guid bushing	2	Pc.
11	1131-0034	Compression spring D-180	2	Pc.
12	1099-0005	Screw nipple D8x15	2	Pc.

Spare parts



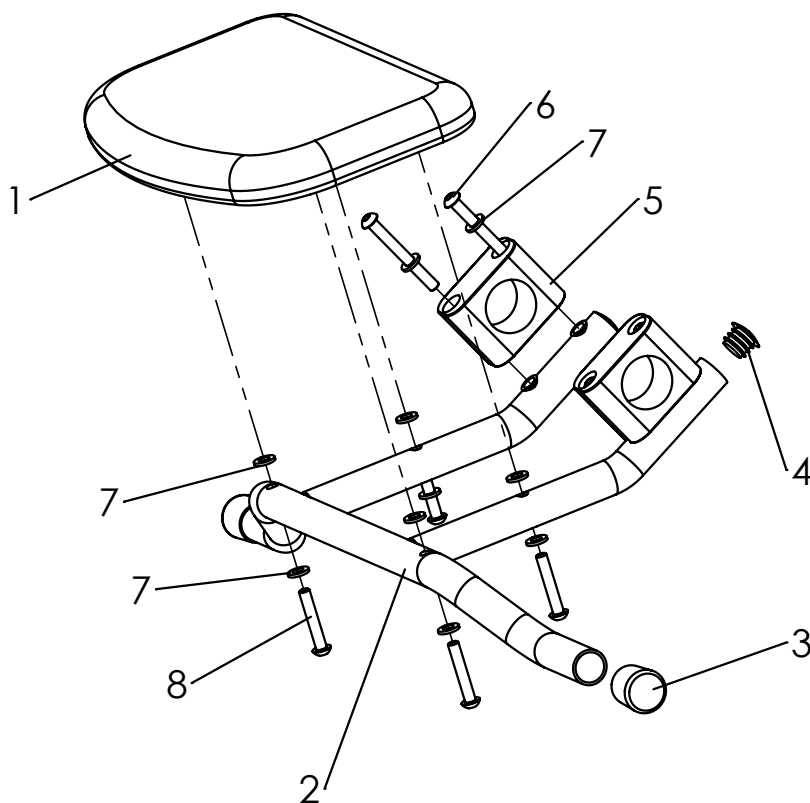
Pos	Article number	Articel description	Quantity	Unit
1-5	3313-5700	Anti-tips, for FLUX 4	1	Set
1-3	3313-5710E-001	Bend pipe Tilt protection with stop	2	Pc.
1	3313-5710-001	Bend pipe Tilt protection zize 4	2	Pc.
2	1112-0010	Spacer PA black 8x4,3x3	2	Pc.
3	1062-0412	Blind rivet F4x12	2	Pc.
4	1134-0006	Snap button B 141	2	Pc.
5	1141-0015	Ribbed insert GL 25x1-2.5	4	Pc.

Spare parts



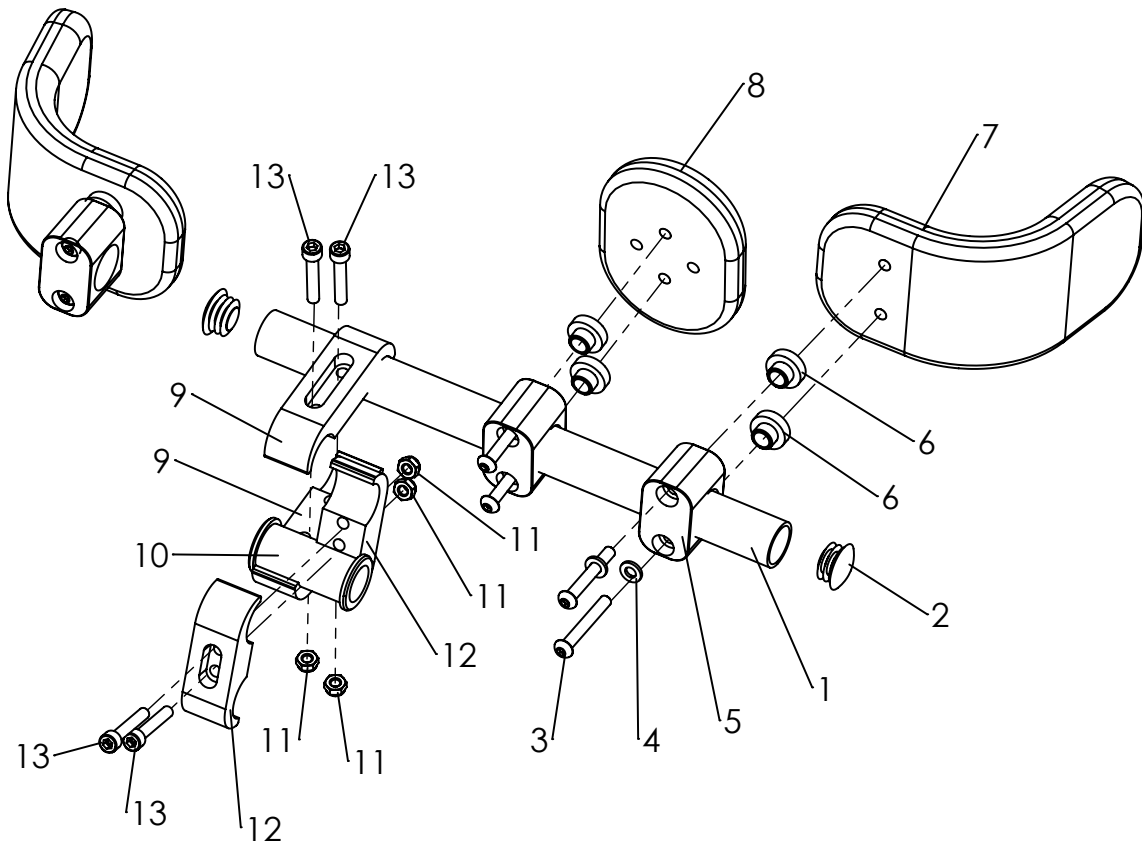
Pos	Article number	Articel description	Quantity	Unit
1-5	3313-5701	Anti-tips, for FLUX 4	1	Set
1-3	3313-5720E-021	Bend pipe Tilt protection with stop	2	Pc.
1	3313-5720-001	Bend pipe Tilt protection zize 4	2	Pc.
2	1112-0010	Spacer PA black 8x4,3x3	2	Pc.
3	1062-0412	Blind rivet F4x12	2	Pc.
4	1134-0006	Snap button B 141	2	Pc.
5	1141-0015	Ribbed insert GL 25x1-2.5	4	Pc.
6	1021-0675	Hexagon socket head cap screw M6x75	2	Pc.
7	1249-0008	Roll with rubber bandage 50x18mm	2	Pc.
8	1042-0006	Hexagon nut self-locking M6	2	Pc.

Spare parts



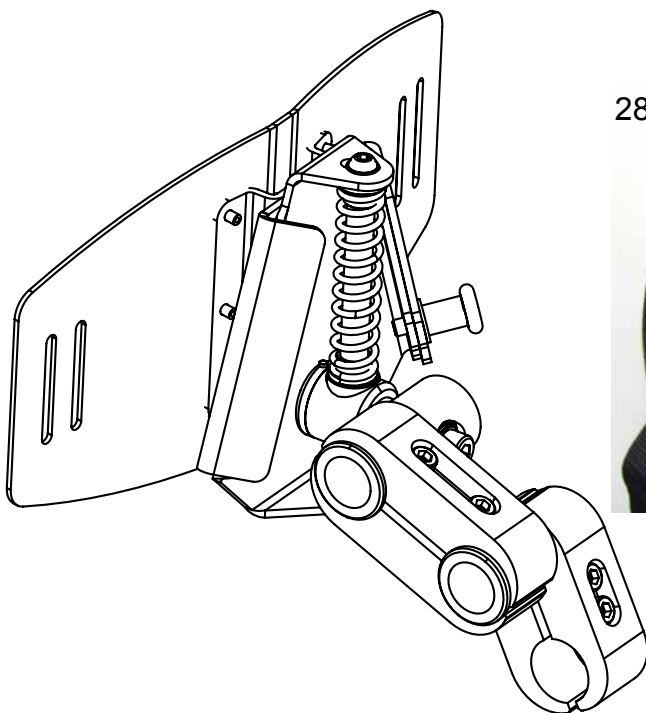
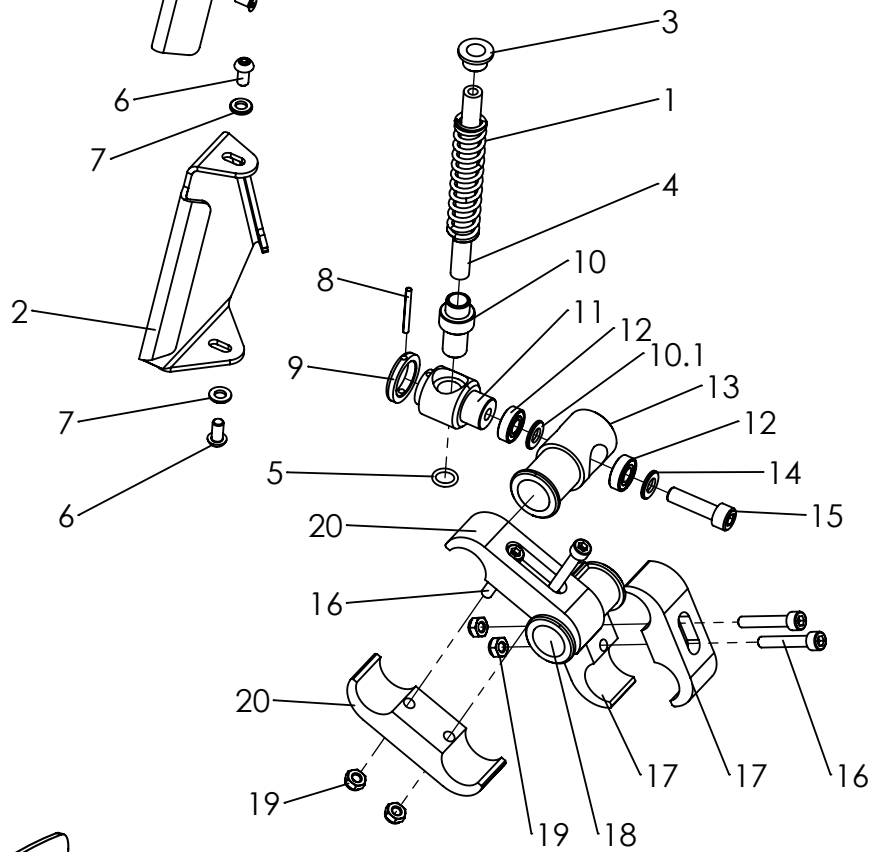
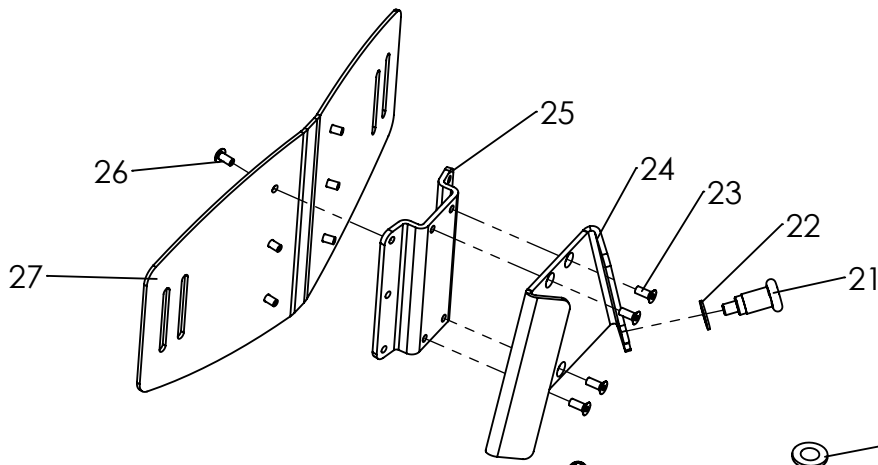
Pos	Artikelnummer	Artikelbezeichnung	Menge	ME
1-8	3313-5800	Sitz komplett, Gr.3+4	1	St
1	3301-5810	Pu-Sitzplatte	1	St
2	3313-5820	Sitzträger Gr.3+4	1	St
3	1142-0002	Kappe K 20 PE schwarz	2	St
4	1141-0006	Lamellenstopfen SFL 20x0,8-2,5	2	St
5	1116-0003	Rohrschelle PA schwarz D30	2	Paar
6	1029-0655	Linsenschraube M6x55	4	St
7	1051-0006	Scheibe A6,4	12	St
8	1029-0635	Linsenschraube M6x35	4	St

Spare parts



Pos	Article number	Articel description	Quantity	Unit
1-13	3301-5900	Hip-/bottom pads, multi adjustable	1	Set
1-2	3301-5920	Support arm pelotte	1	Pc.
1	3301-5921	Tube for (pelotte) support	1	Pc.
2	1141-0009	Ribbed insert SFL 25x1-2,5	2	Pc.
3	1029-0645	button head socket screw M6x45	3	Pair
4	1051-0006	Washer A6,4	6	Pc.
5	1116-0005	Tube clamp PA black D25 with textile inlet	3	Pair
6	3301-5933	Spacer bushing	6	Pc.
7	3301-5960	PU-side pelotte	2	Pc.
8	3301-5950	PU-center pelotte	1	Pc.
9	3301-5211	Clamp shell	2	Pc.
10	3301-5913	Hollow axle	1	Pc.
11	1042-0006	Hexagon nut self-locking M6	4	Pc.
12	3301-5915	Clamping shell 45	2	Pc.
13	1021-0635	Hexagon socket head cap screw M6x35	4	Pc.

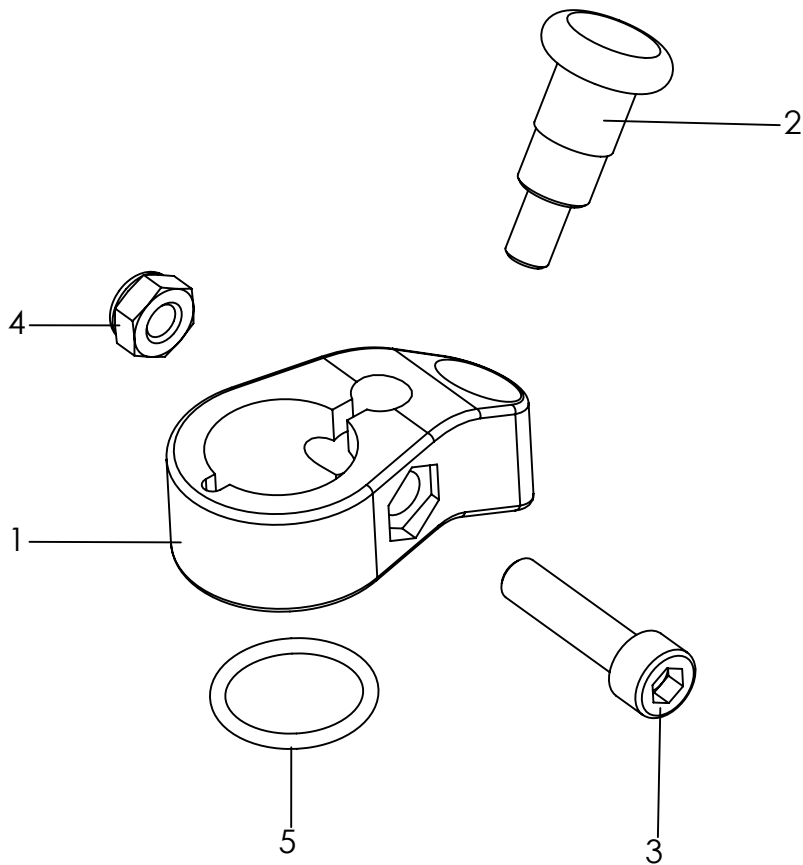
Spare parts



Spare parts

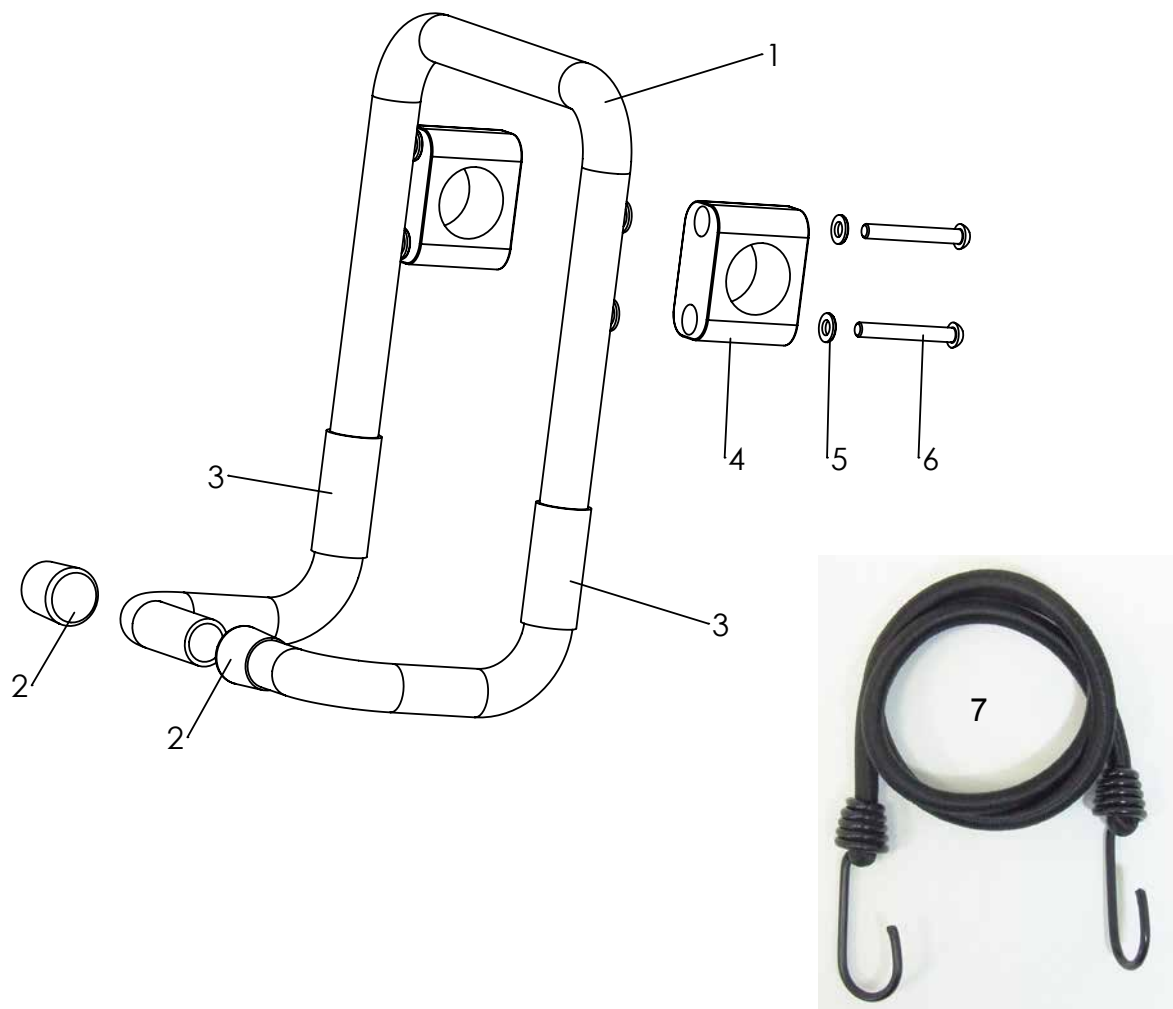
Pos	Article number	Articel description	Quantity	Unit
1-27	3301-6000	Dynamic hip control kit for orthoses	1	Set
	3301-6001	Dynamic hip control, suspension soft (yellow)	1	Set
	3301-6002	Dynamic hip control, suspension hard (red)	1	Set
1	1131-0045-009	Compression spring, yellow	1	Pc.
	1131-0046-011	Compression spring, red	1	Pc.
2-7	3301-6040	Console unit	1	Pc.
2	3301-6050-006	Console silver anodized	1	Pc.
3	3301-6070	Flange bushing	1	Pc.
4	3301-6060	Slide rail	1	Pc.
5	1150-0003	O-Ring 10x3	1	Pc.
6	1029-0612	Button head socket screw M6x12	2	Pc.
7	1051-0006	Washer A6,4	2	Pc.
8	1070-0330	Spring pin 3x30	1	Pc.
9	3301-6033	Sliding ring	1	Pc.
10	3301-6032	Sliding bushing	1	Pc.
10.1	2001-1230	Distance sleeve 11,5x8,2x3,5	1	Pc.
11	3301-6021	Joint shaft	1	Pc.
12	1090-0001	Grooved ball bearing	2	Pc.
13	3301-6031	Bearing housing	1	Pc.
14	1051-0008	Washer A8,4	3	Pc.
15	1021-0830	Hexagon socket head cap screw M8x30	1	Pc.
16-20	3301-5910	Clamp bracket	1	Pc.
16	1021-0635	Hexagon socket head cap screw M6x35	4	Pc.
17	3301-5915	Clamping shell 45	2	Pc.
18	3301-5913	Hollow axle	1	Pc.
19	1042-0006	Hexagon nut self-locking M6	4	Pc.
20	3301-5211	Clamp shell	2	Pc.
21-27	3301-6080	Trapeze adapter	1	Pc.
21	1127-0010	Lock pin d6xM10xS10x31	1	Pc.
22	1059-0001	Shim ring 10x16x1,2	1	Pc.
23	1063-0410	Blind rivet S4x10	4	Pc.
24	3301-6081-006	Trapezoidal sheet	1	Pc.
25	3301-6082-006	Adapter Anodized	1	Pc.
26	1063-0410	Blind rivet S4x10	6	Pc.
27	3301-6091	Base plate PE black 270x131,15x2 mm	1	Pc.
21-28	3301-6300	Hip belt for dynamic hip control, hip size 53 - 83 cm	1	Pc.
	3302-6300	Hip belt for dynamic hip control, hip size 65 - 115 cm	1	Pc.

Spare parts



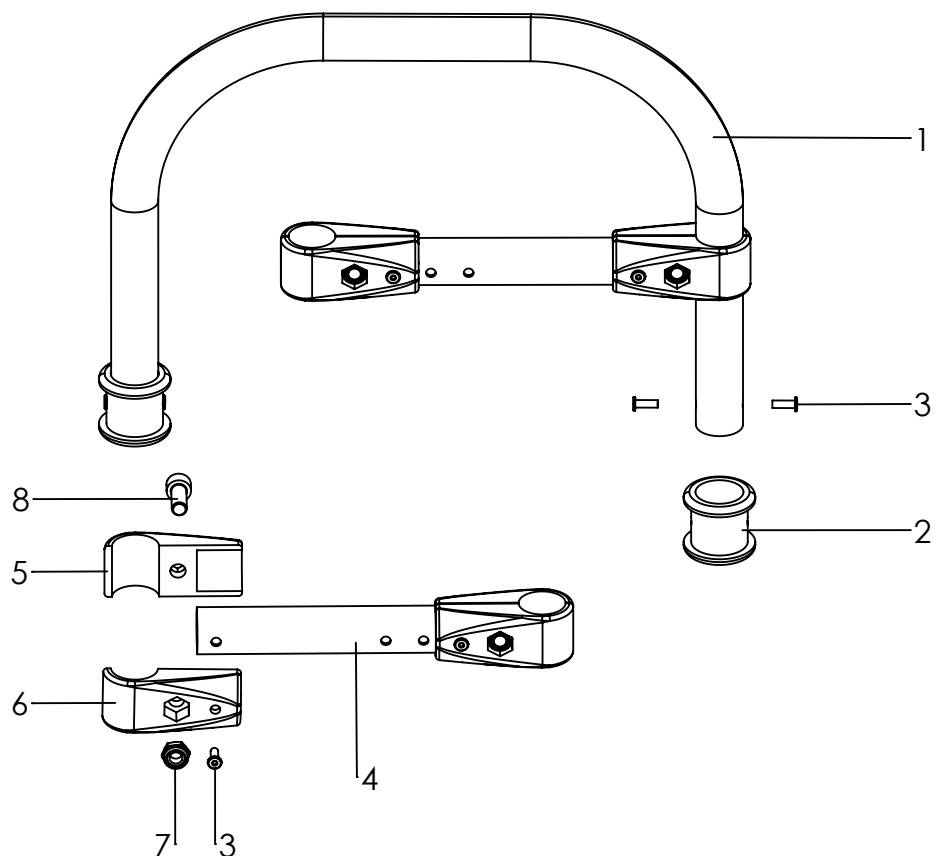
Pos	Article number	Articel description	Quantity	Unit
1-5	3202-7100	Swivel lock, for two castor fork`s	1	Set
1	3202-7110	Swivel lock housing	2	Pc.
2	1127-0009	Lock pin, with interlocksystem	2	Pc.
3	1021-0625	Hexagon socket head cap screw M6x25	2	Pc.
4	1042-0006	Hexagon nut self-locking M6	2	Pc.
5	1150-0001	O-ring NBR 18x2	2	Pc.

Spare parts



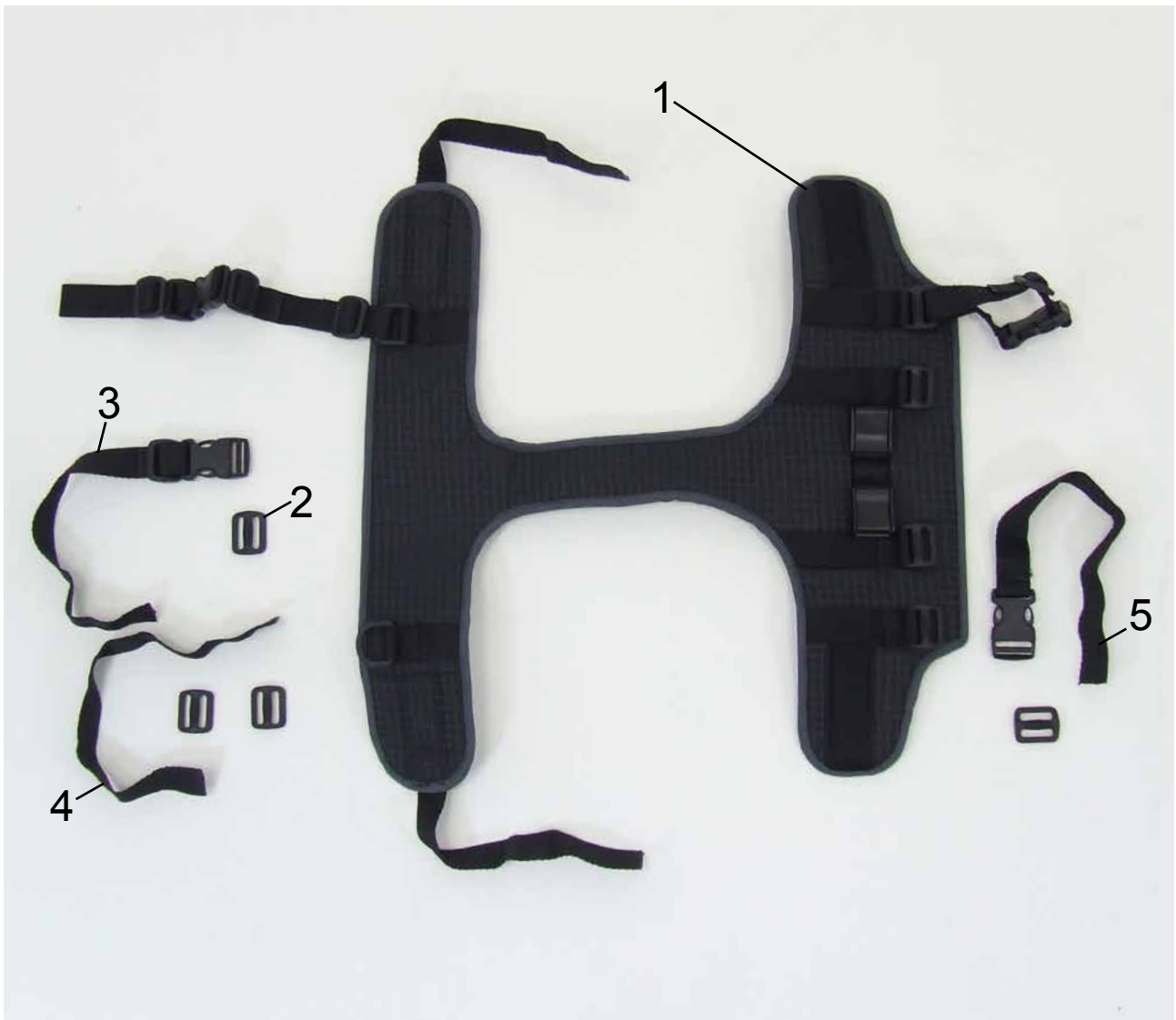
Pos	Article number	Articel description	Quantity	Unit
1-6	3303-6100	Carrier, fits to size 4	1	Pc.
1	3303-6111	Frame Luggage carrier size 4	1	Pc.
2	1142-0002	Cover K 20 PE black	2	Pc.
3	1143-0006	Soft grip hose, Length: 50 mm	2	Pc.
4	1116-0003	Tube clamp PA black D30	2	Pair
5	1051-0006	Washer A6,4 zp DIN/ISO 125 A6,4	4	Pc.
6	1029-0650	button head socket screw M6x50	4	Pc.
7	7000-0022	Tension belt 800 mm	1	Pc.

Spare parts



Pos	Article number	Articel description	Quantity	Unit
1-8	3303-6500	Sling seat rail, coimplete	1	Set
1-3	3303-6510E	Sling seat rail, with belt guide	1	Pc.
2	3301-6530	Belt guide	2	Pc.
3	1062-0412	Blind rivet F4x12	8	Pc.
4	3301-6521	Distance tube	2	Pc.
5	1145-0002-001	Tube connector T-90° 25/25 4,2, black	4	Pc.
6	1145-0001-015	Tube connector T-90° 25/25 with hole 4,2, structural black	4	Pc.
7	1049-0067	BILOC-nut M8	4	Pc.
8	1021-0820	Hexagon socket head cap screw M8x20	4	Pc.

Spare parts



Pos	Article number	Articel description	Quantity	Unit
1-5	3303-6400	Sling seat, hip size 73 - 103 cm	1	Set
2	1530-0004	Buckle TG 25/N	2	Pc.
3	1512-0006	PP-strap 25x350 black one sewn loop with a clip and a buckle	2	Pc.
4	1511-2535	PE-strap 25x350	2	Pc.
5	1512-0007	PP-strap 25x350 black one sewn loop with a clip	2	Pc.

HOGGI GmbH
Eulerstraße 27 • 56235 Ransbach-Baumbach • Deutschland
Telefon: (+49) 2623 / 92 499-0 • Telefax: (+49) 2623 / 92 499-99
E-mail: info@hoggi.de • www.hoggi.de
