



Corner Seat - Replacement Parts





Contents

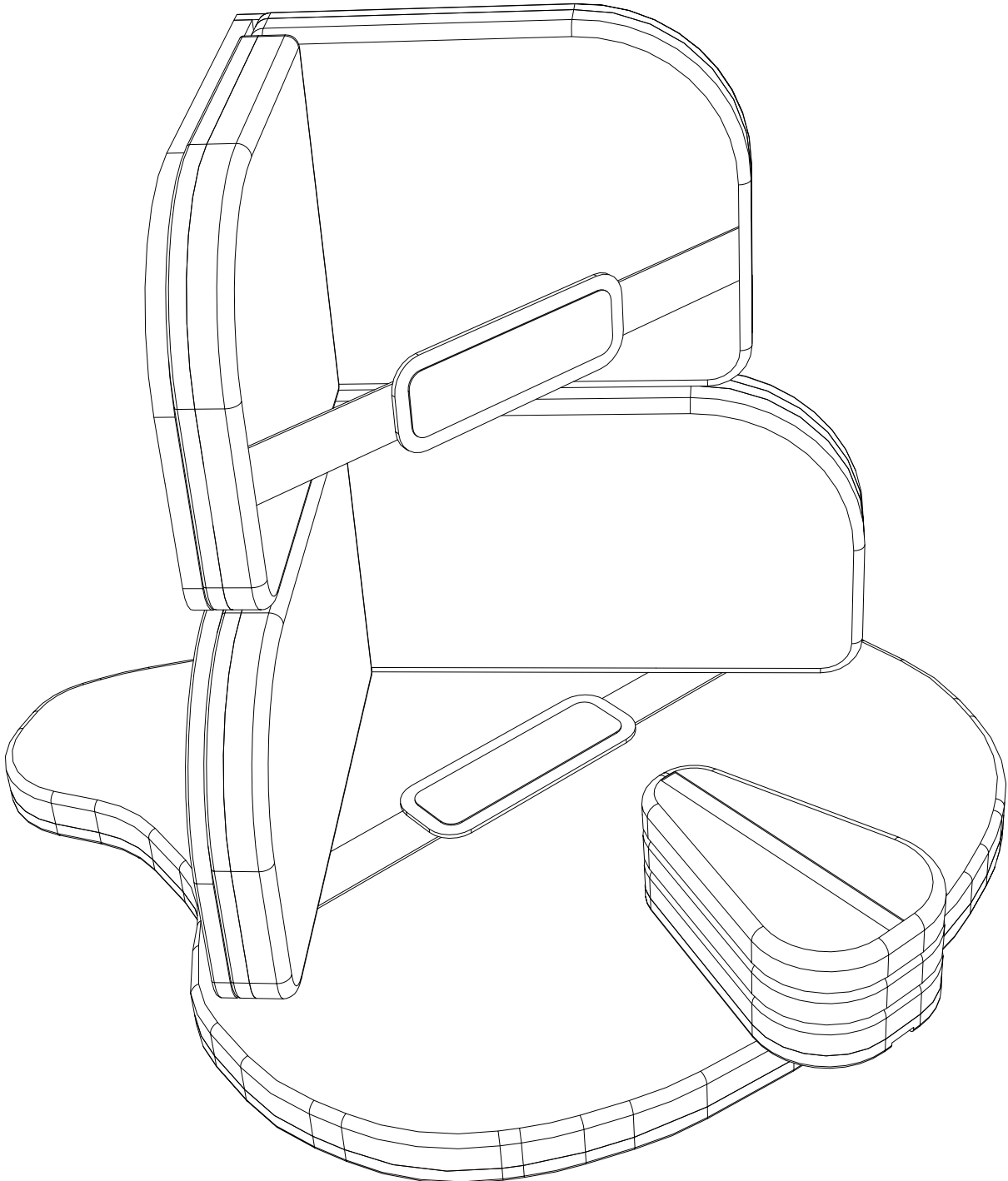
Page (s)

Product Visual	3
Seat Assembly	4
Upper Pad Assembly	5
Bottom Plate Assembly	6
Back Pad Assembly	7
Table Assembly	8



Product Visual

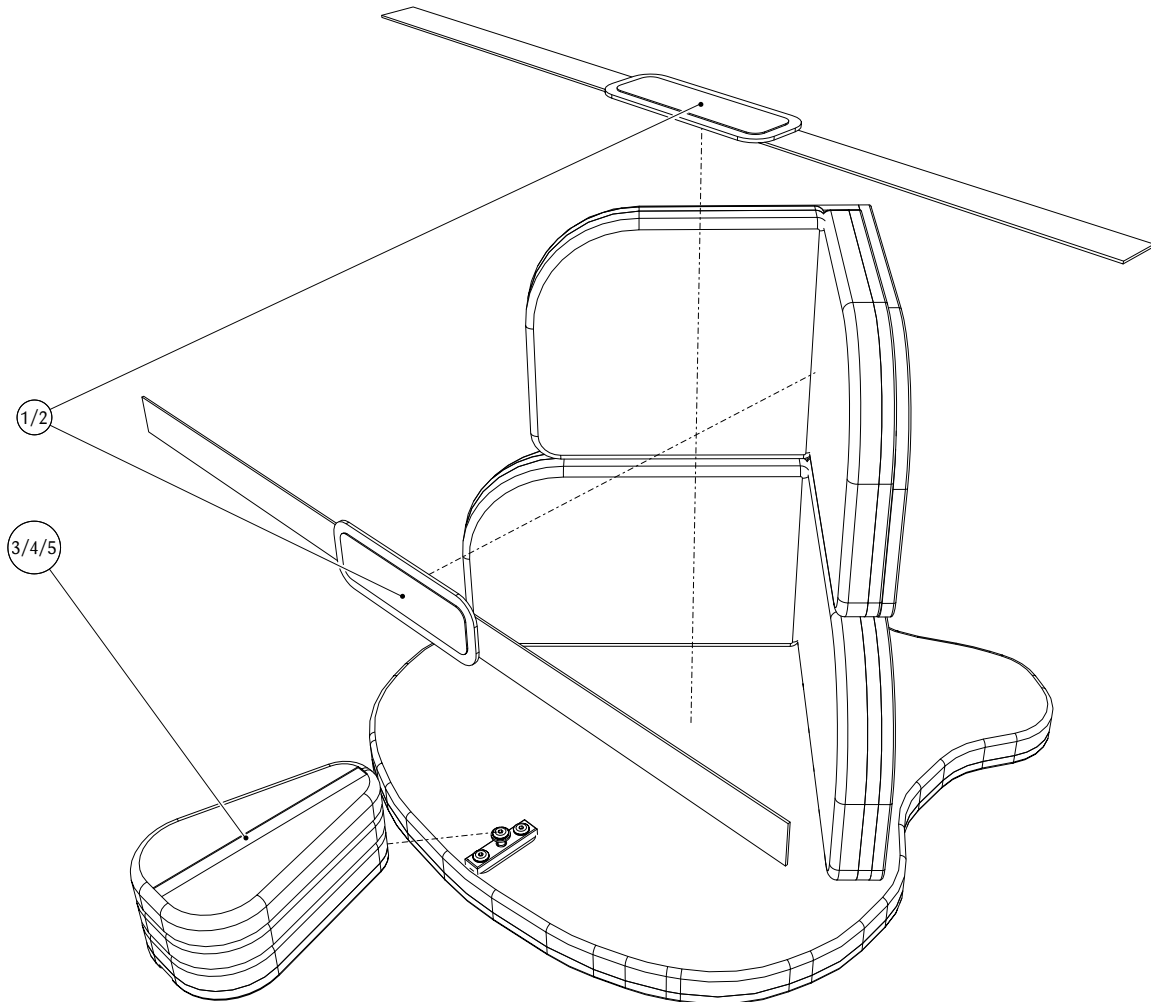
Therapy Systems - **Corner Seat**



3

Seat Assembly

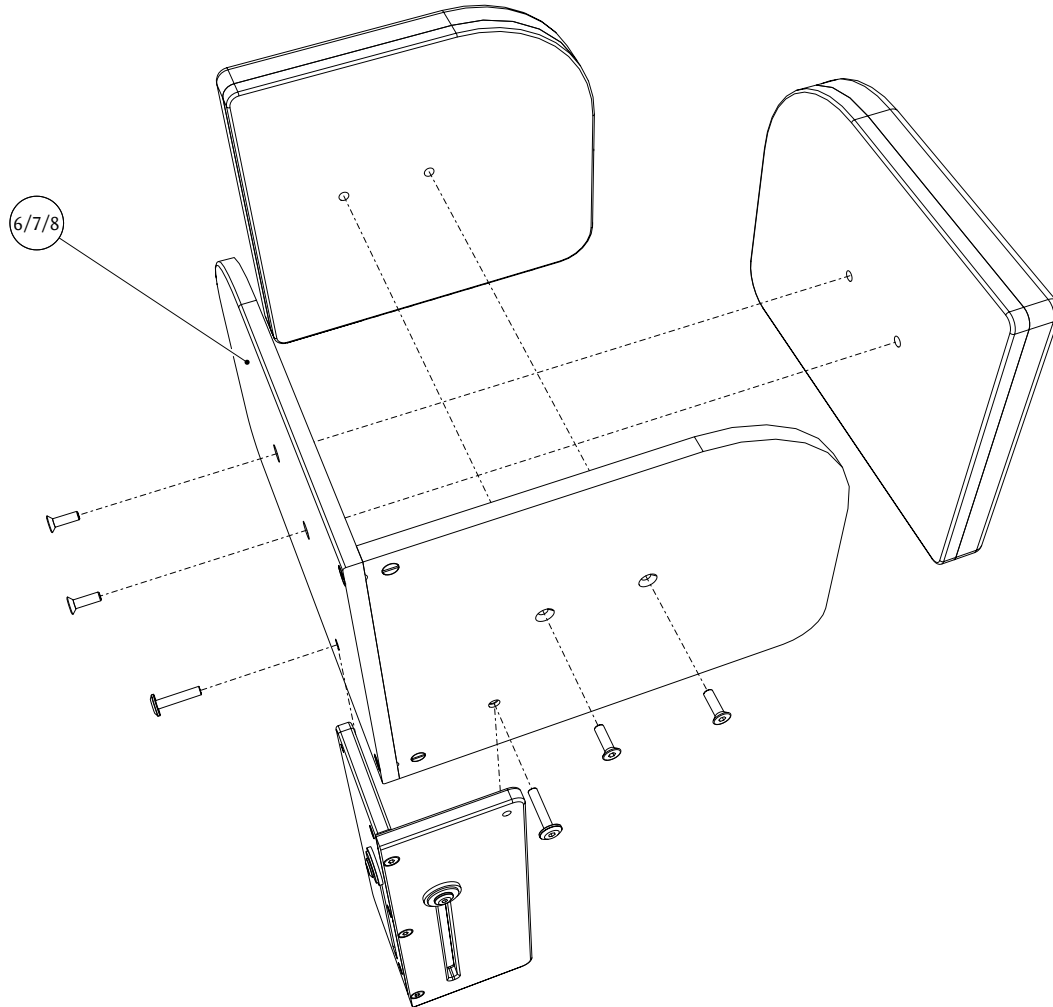
Therapy Systems - **Corner Seat**



NUMBER	DESCRIPTION	CODE
1	Size 1 Corner Seat Strap Set u/w NR41-0*	MU26-0*
2	Size 2 Corner Seat Strap Set u/w NR42-0x / NR44-0*	MU27-0*
3	Size 1 Corner Seat Abduction Replacement inc. Fixings u/w NR41-0*	RPRT54-0*
4	Size 2 Corner Seat Abduction Replacement inc. Fixings u/w NR42-0*	RPRT55-0*
5	Size 3 Corner Seat Abduction Replacement inc. Fixings u/w NR44-0*	RPRT56-0*

Upper Pad Assembly

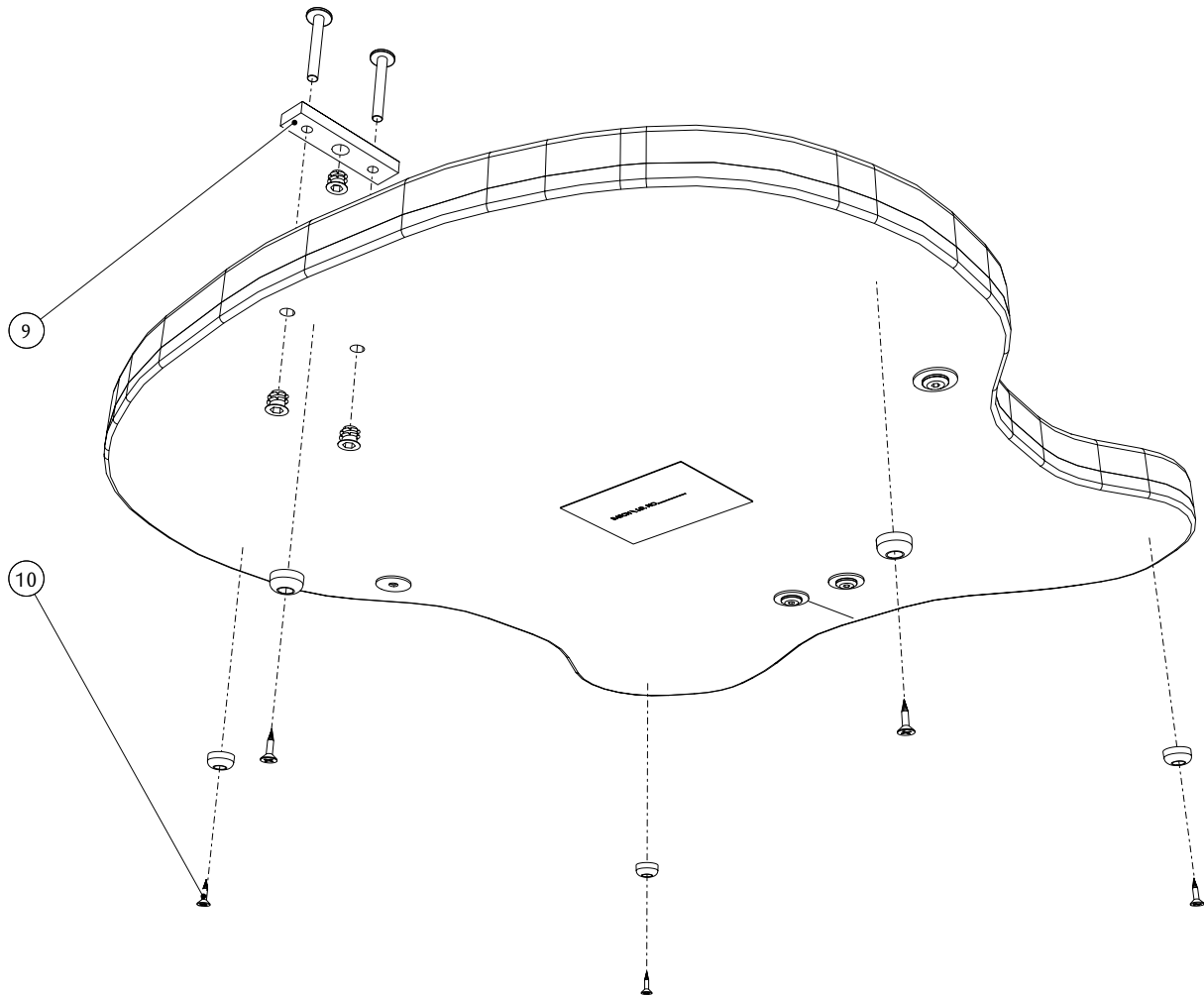
Therapy Systems - **Corner Seat**



NUMBER	DESCRIPTION	CODE
6	Size 1 Corner Seat Upper Back u/w NR41-0*	NR41 0* 004
7	Size 2 Corner Seat Upper Back u/w NR42-0*	NR42 0* 003
8	Size 3 Corner Seat Upper Back u/w NR44-0*	NR44 0* 004

Bottom Plate Assembly

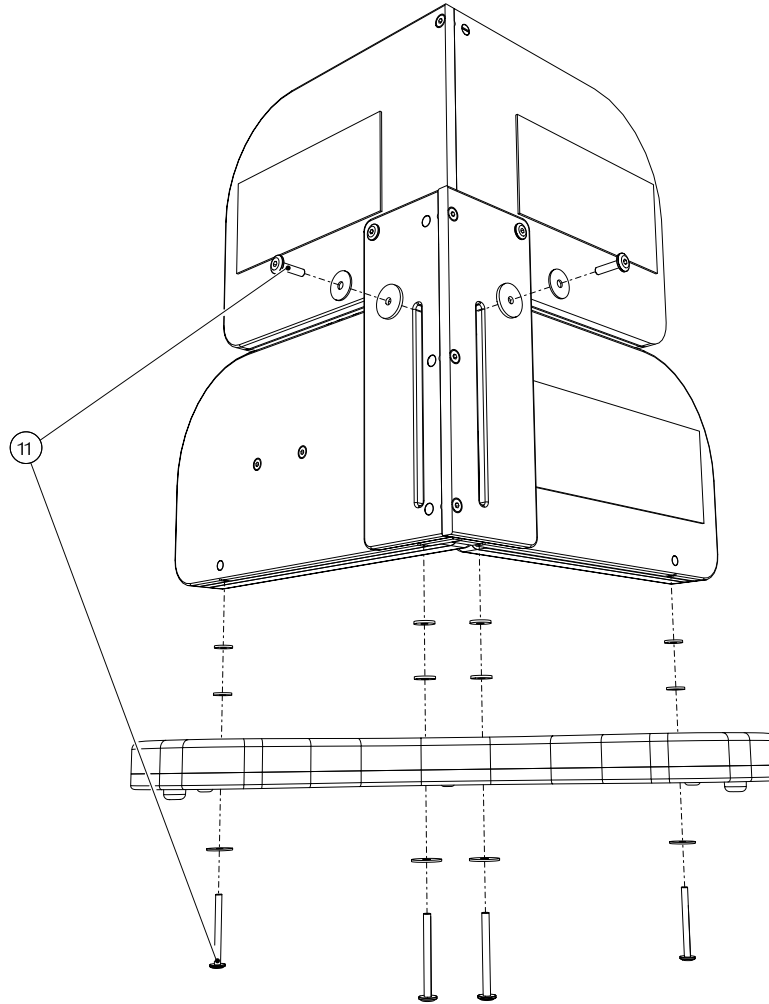
Therapy Systems - **Corner Seat**



NUMBER	DESCRIPTION	CODE
9	Corner Seat Abduction Adjuster Plate u/w NR41 / NR42 / NR44	RPRT74
10	Screw Pack Base Feet u/w NR41 / NR42 / NR44	SWP009

Back Pad Assembly

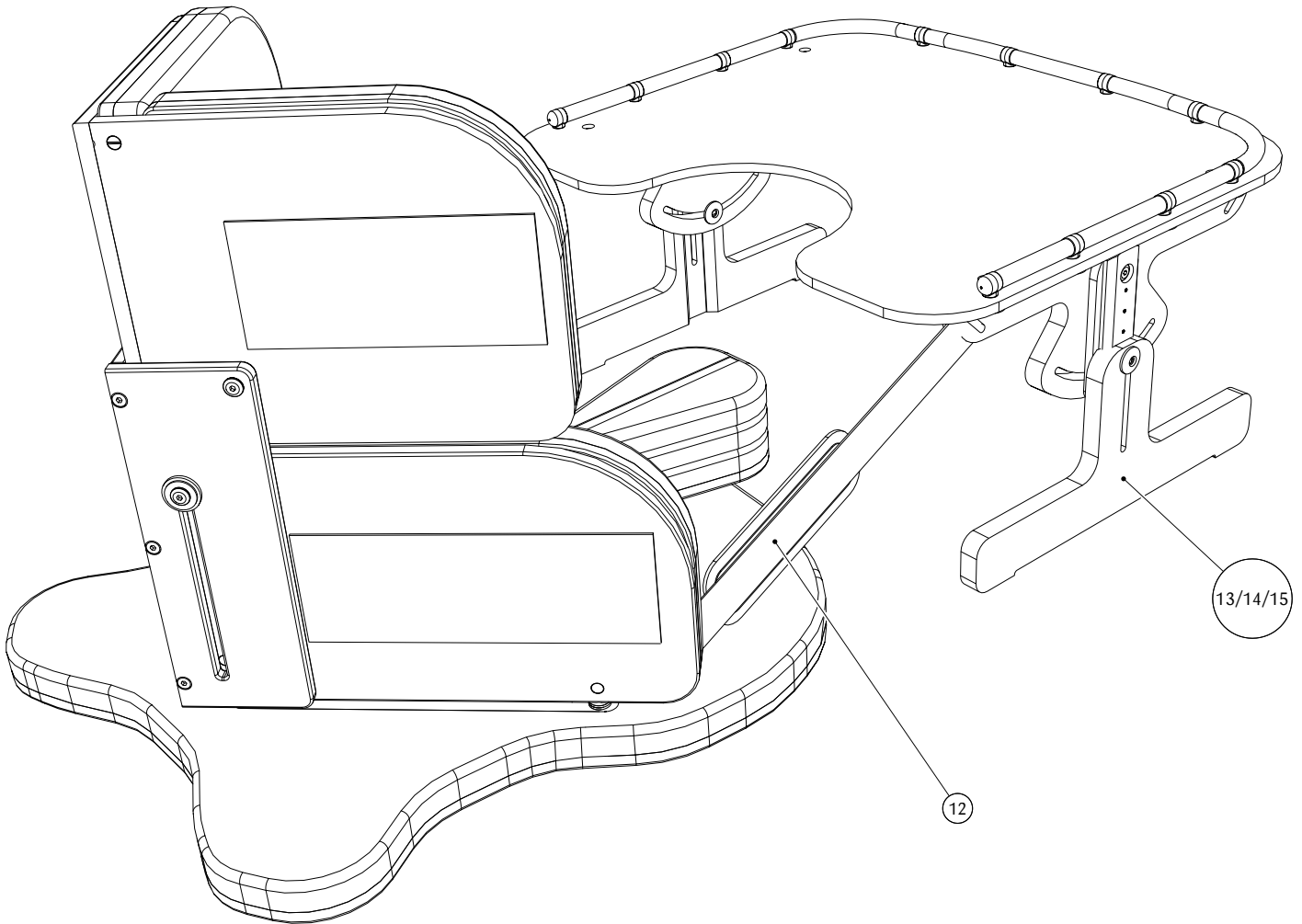
Therapy Systems - **Corner Seat**



NUMBER	DESCRIPTION	CODE
11	Screw Pack Back to Base u/w NR41 / NR42 / NR44	SWP011

Table Assembly

Therapy Systems - **Corner Seat**



NUMBER	DESCRIPTION	CODE
12	Nursery Table Straps u/w NR64 / NR65 / NR66	MU41
13	Leg Replacement u/w NR64	RPRT103
14	Leg Replacement u/w NR65	RPRT78
15	Leg Replacement u/w NR66	RPRT104



**For any queries regarding
information within this
document, please contact**

export@jenx.com

