



Multistander Size 1 - Replacement Parts





Contents

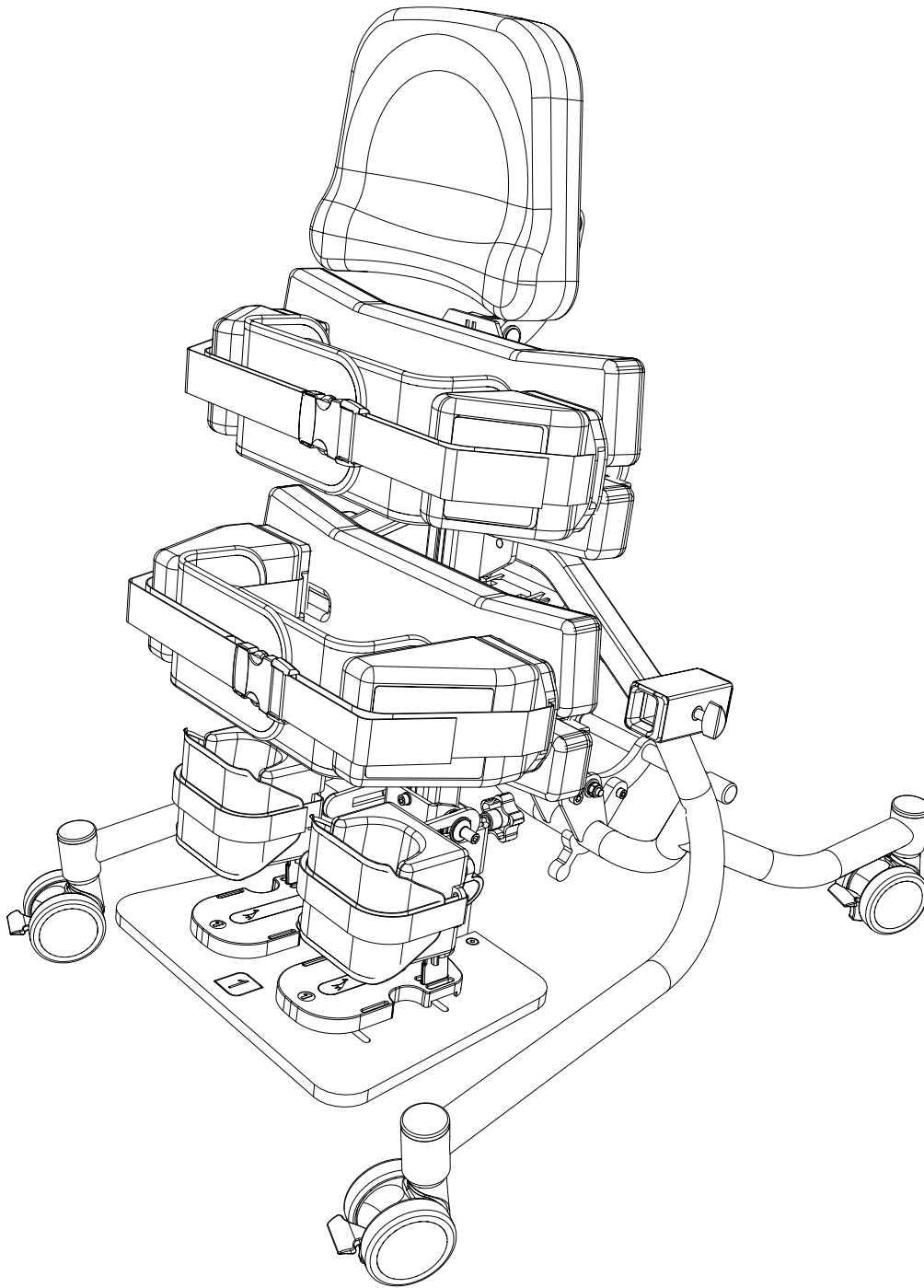
Page (s)

Product Visual	3
Base Assembly	4
Main Column Assembly	5
Headrest Assembly	6
Tray Bracket Assembly	7
Tray Assembly	8
Knee Block Assembly	9



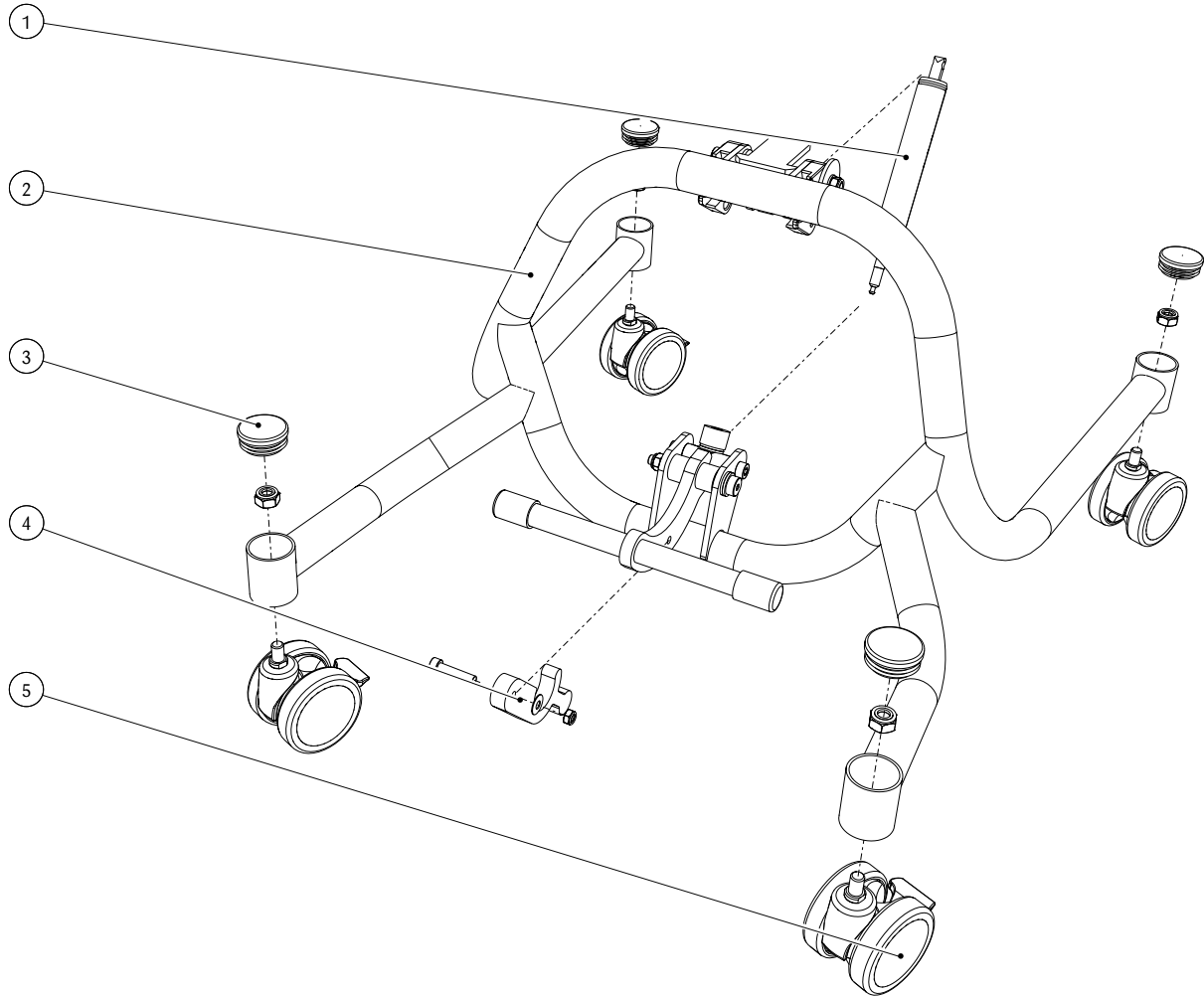
Product Visual

Standing Systems - Multistander Size 1



Base Assembly

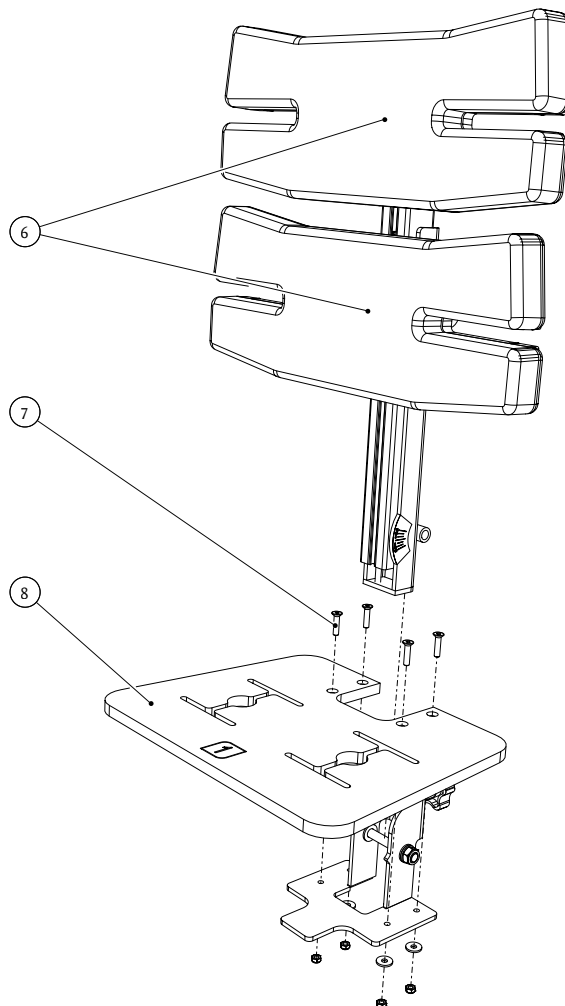
Standing Systems - Multistander Size 1



NUMBER	DESCRIPTION	CODE
1	Replacement Gas Spring u/w MUS01	RPRT93
2	Base Frame inc. Tilt in Space Gas Spring u/w MUS01	MUS01 001
3	Base Frame Castor End Caps (Set of 4)	RPRT120
4	Replacement Multistander Foot Pedal Lock & Fixings	RPRT90
5	75mm Castors c/w 1 x Castor & Fixings u/w MUS01	RPRT01

Main Column Assembly

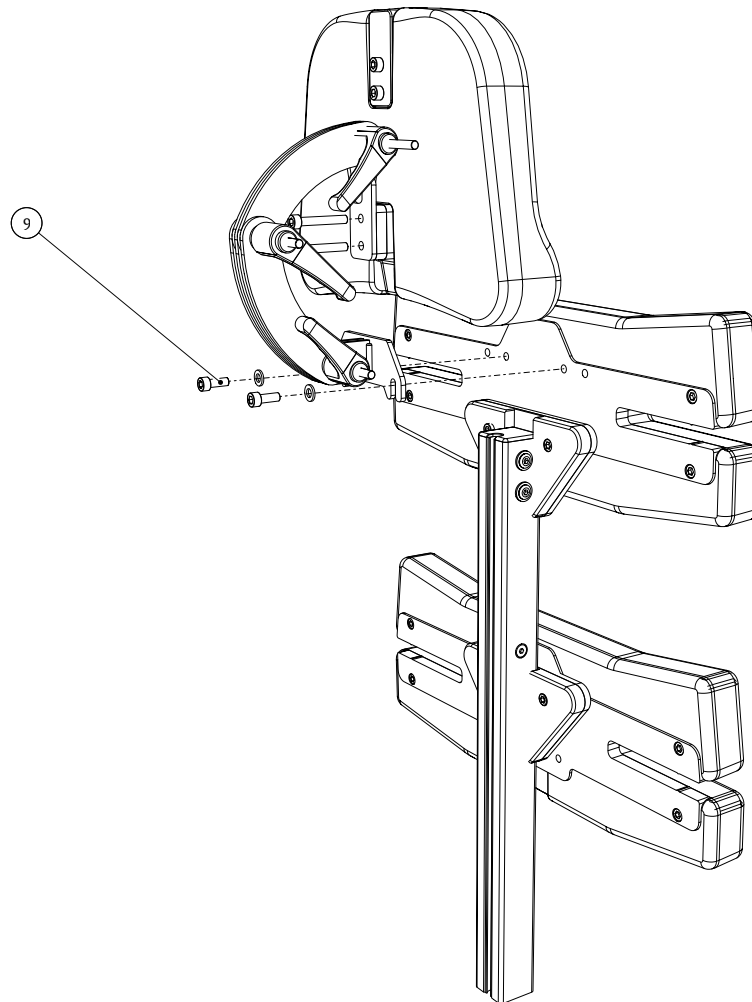
Standing Systems - Multistander Size 1



NUMBER	DESCRIPTION	CODE
6	MUS01 Top & Bottom Board Replacement Pad (Pair)	RPRT70-0*
7	Footplate u/w MUS01	PL019 062
8	Screw Pack Footplate u/w MUS01	SWP453

Headrest Assembly

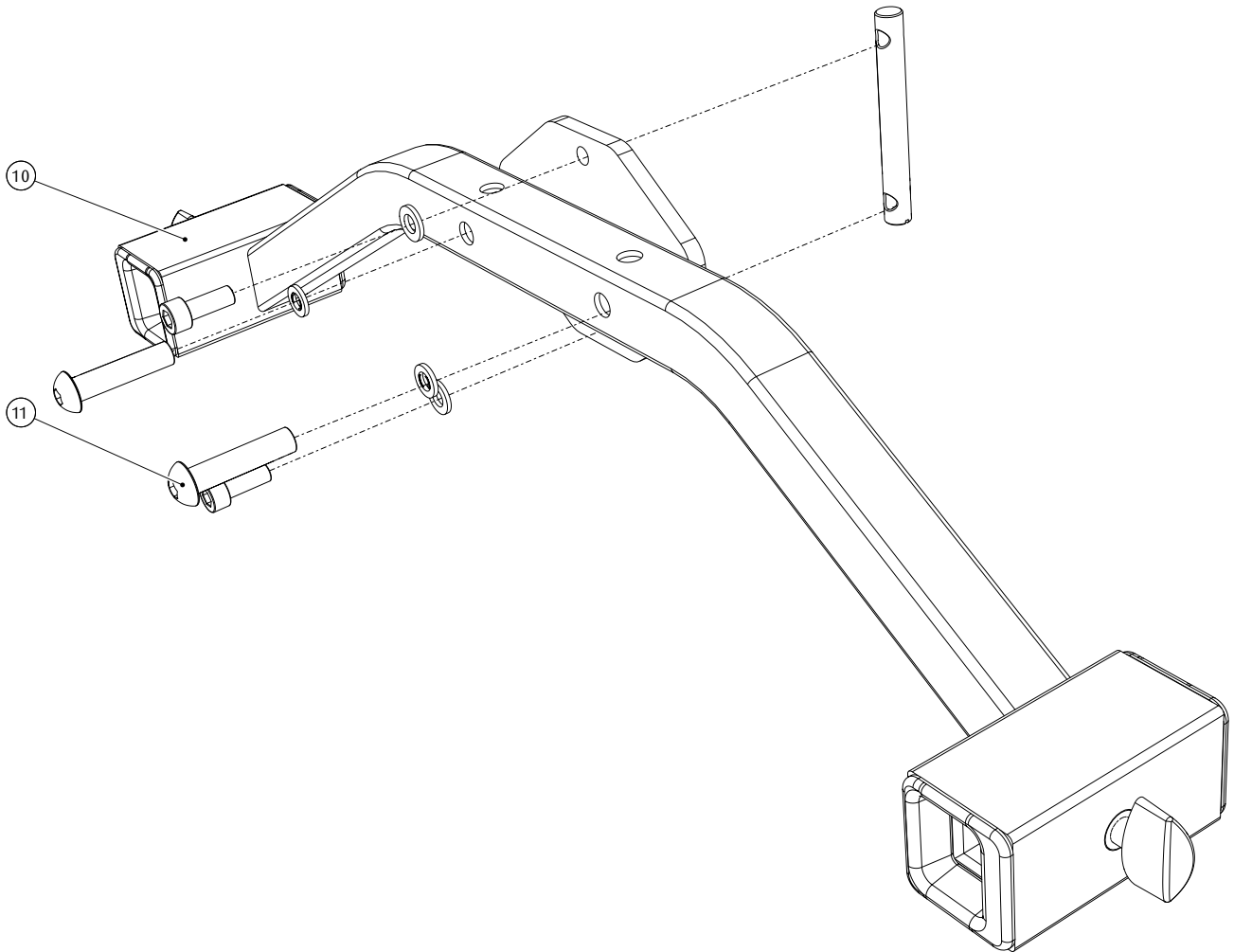
Standing Systems - Multistander Size 1



NUMBER	DESCRIPTION	CODE
9	Screw Pack u/w MH07	SWP469

Tray Bracket Assembly

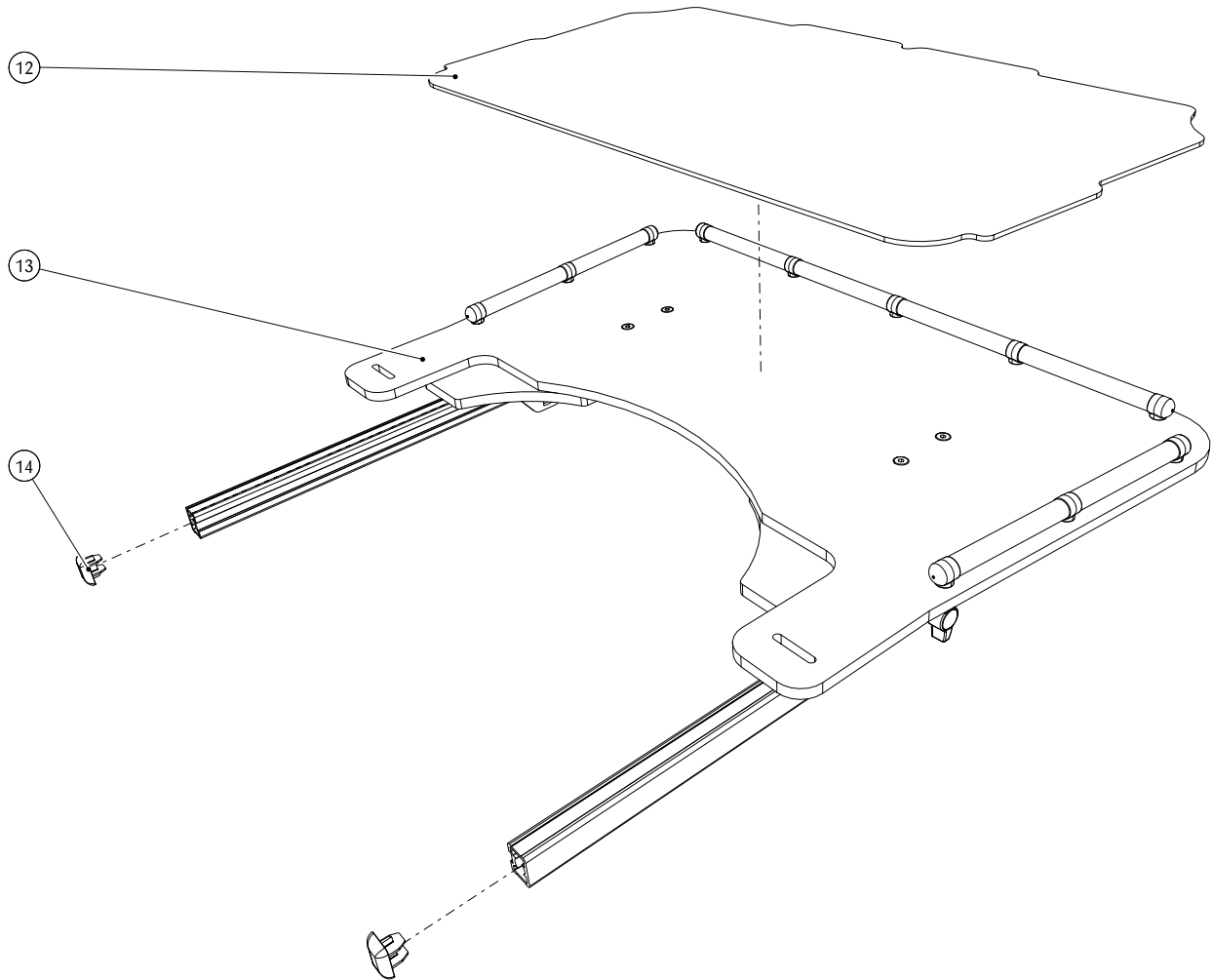
Standing Systems - Multistander Size 1



NUMBER	DESCRIPTION	CODE
10	Size 1 Tray Fixing Bracket u/w MT01	MT01 001
11	Screw Pack Tray Bracket Attach u/w MT01 MT02	SWP496

Tray Assembly

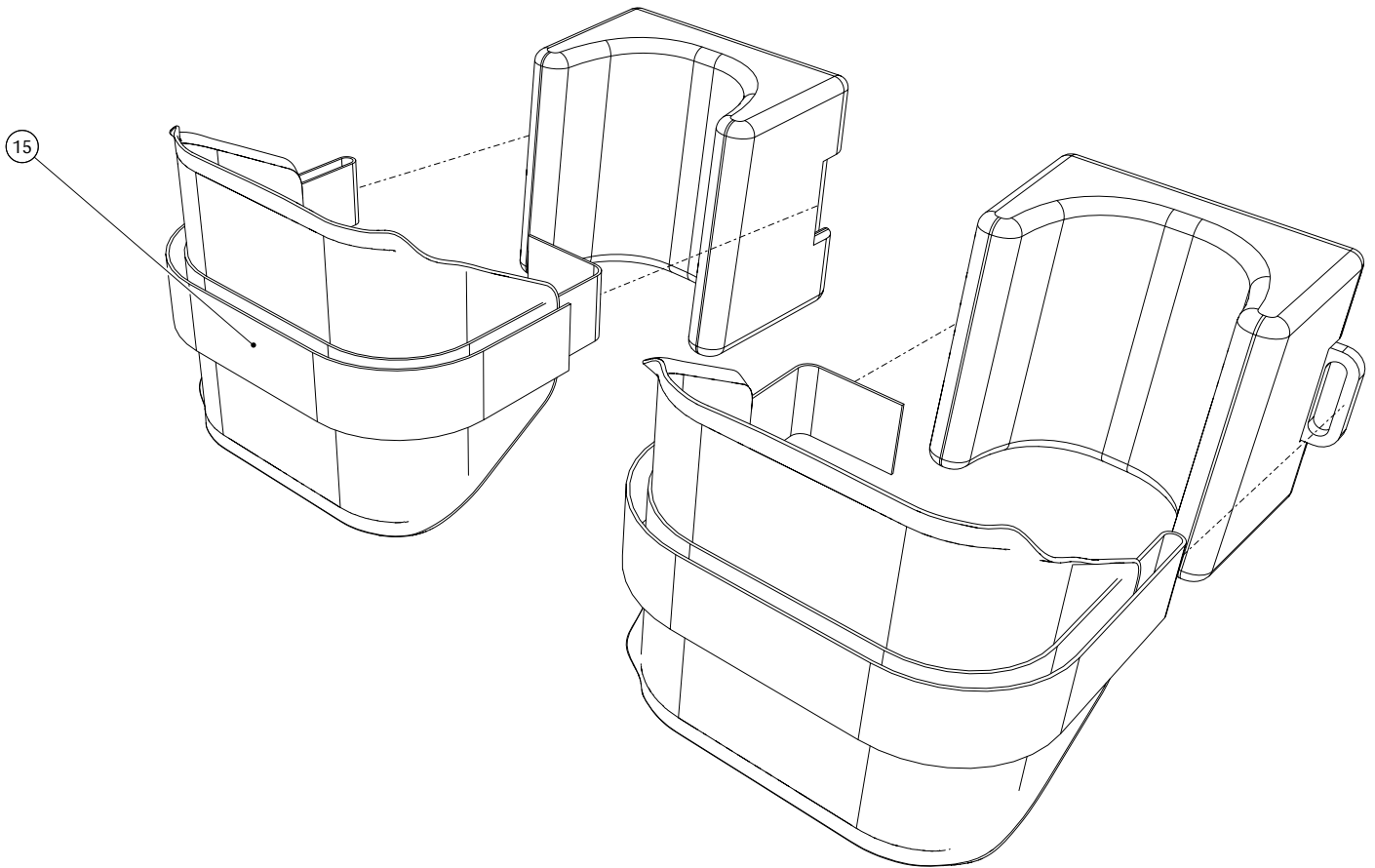
Standing Systems - Multistander Size 1



NUMBER	DESCRIPTION	CODE
12	Tray Infill u/w MT01	PL009 007
13	Size 1 Tray Only u/w MT01	MT01 002
14	Rounded Tray Arm End Cap Black	LP065

Knee Block Assembly

Standing Systems - Multistander Size 1



NUMBER	DESCRIPTION	CODE
15	Size 1 Knee Block Strap (Pair) u/w MB09	MU09



**For any queries regarding
information within this
document, please contact**

export@jenx.com

