



## Multistander Size 2 Manual - Replacement Parts





## Contents

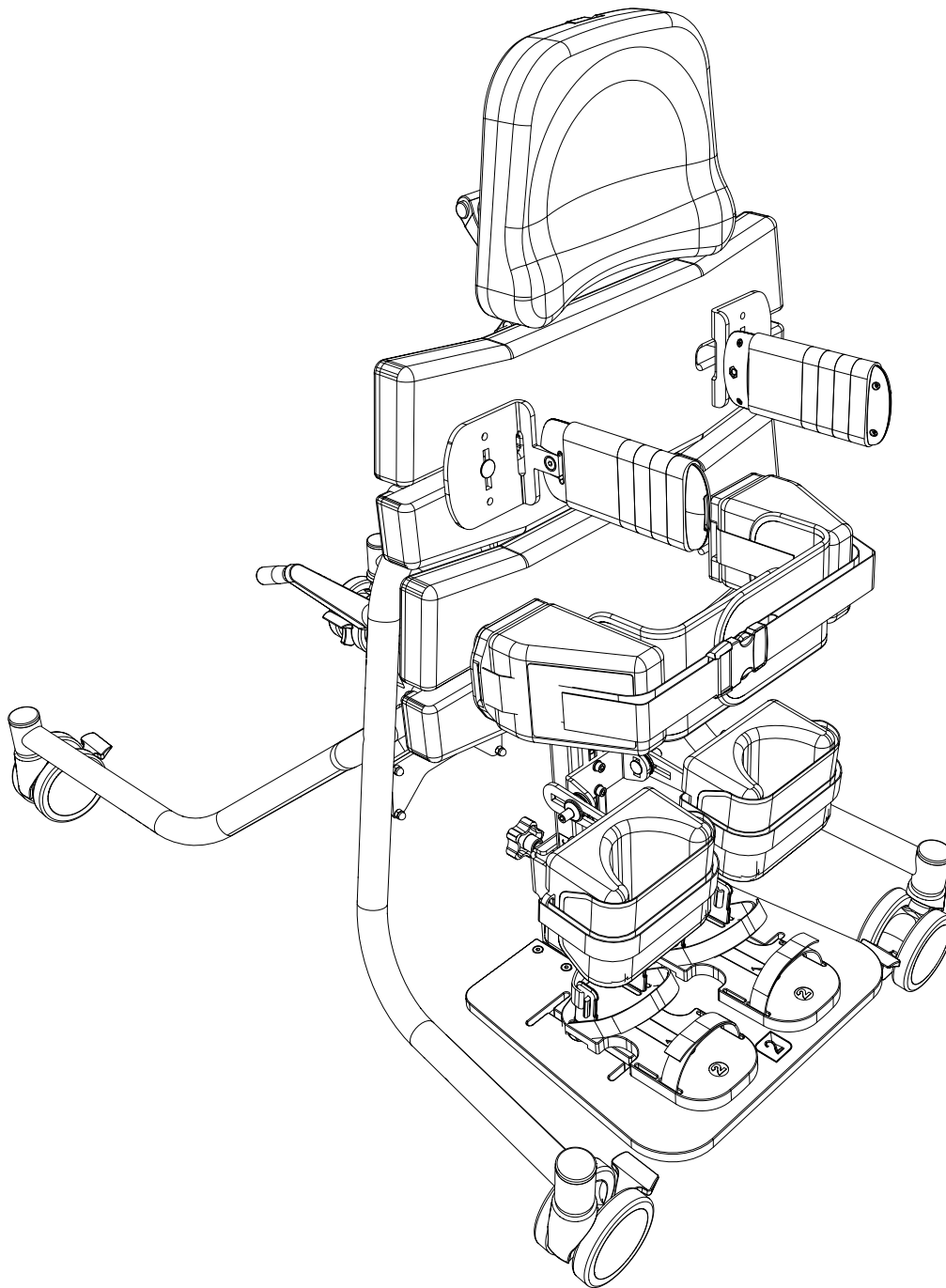
## Page (s)

Product Visual	3
Manual Base Assembly	4
Main Column Assembly	5
Tray Assembly	6
Knee Block Assembly	7



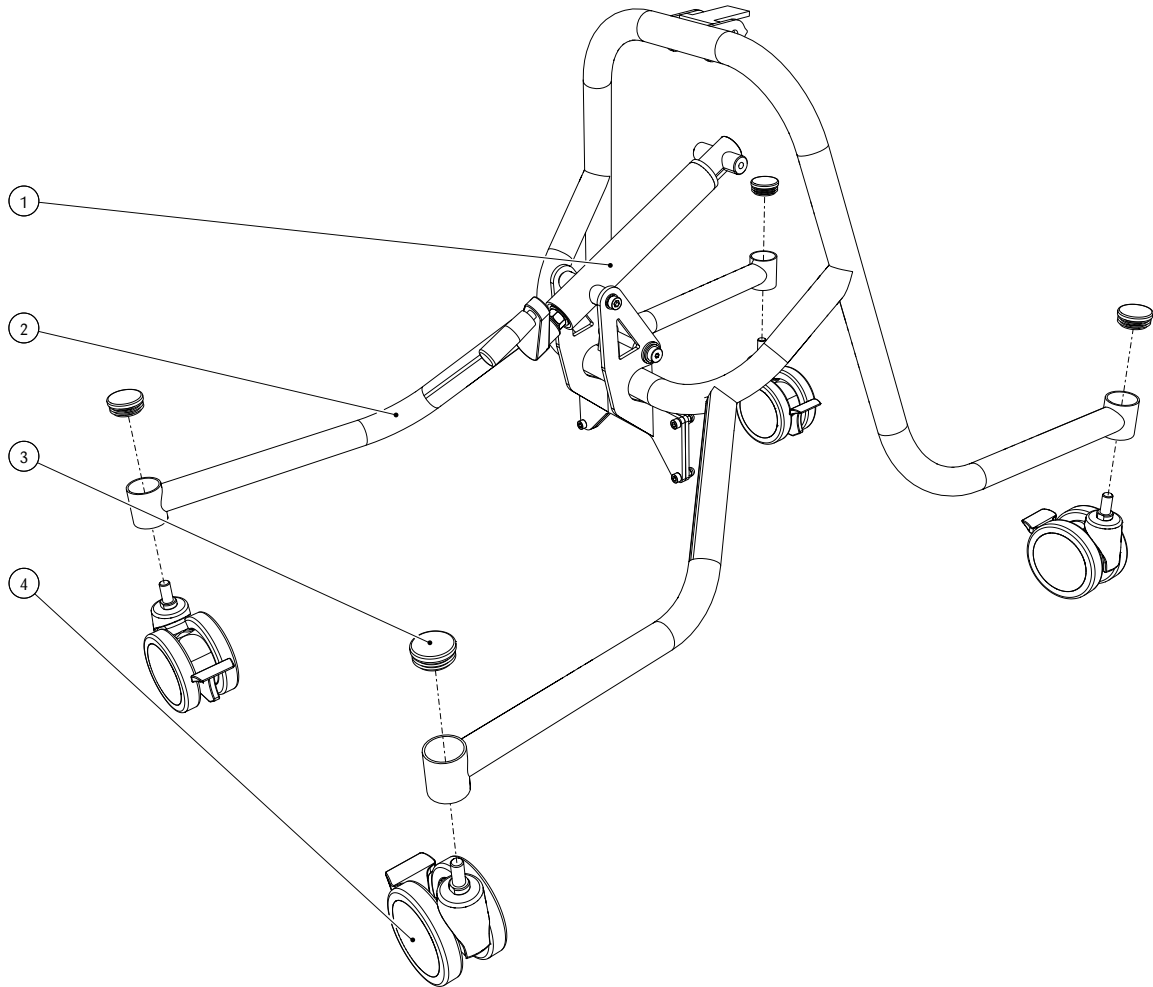
Product Visual

Standing Systems - Multistander Size 2 Manual



Manual Base Assembly

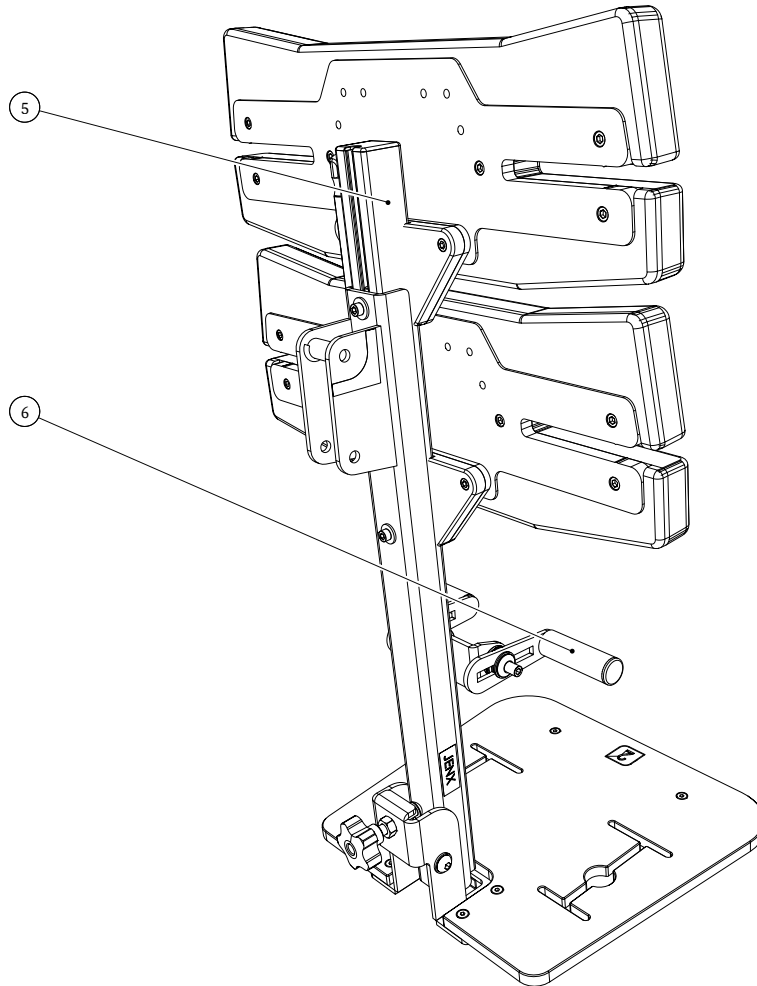
Standing Systems - Multistander Size 2 Manual



NUMBER	DESCRIPTION	CODE
1	Manual In Line Actuator u/w MUS02	GS044
2	Size 2 Base Frame Sub Assembly w/ Manual Winder u/w MUS02	MUS02 003
3	Base Frame Castor End Caps (Set of 4)	RPRT120
4	100mm Castor c/w 1 x Castor & Fixings u/w MUS02	RPRT06

Main Column Assembly

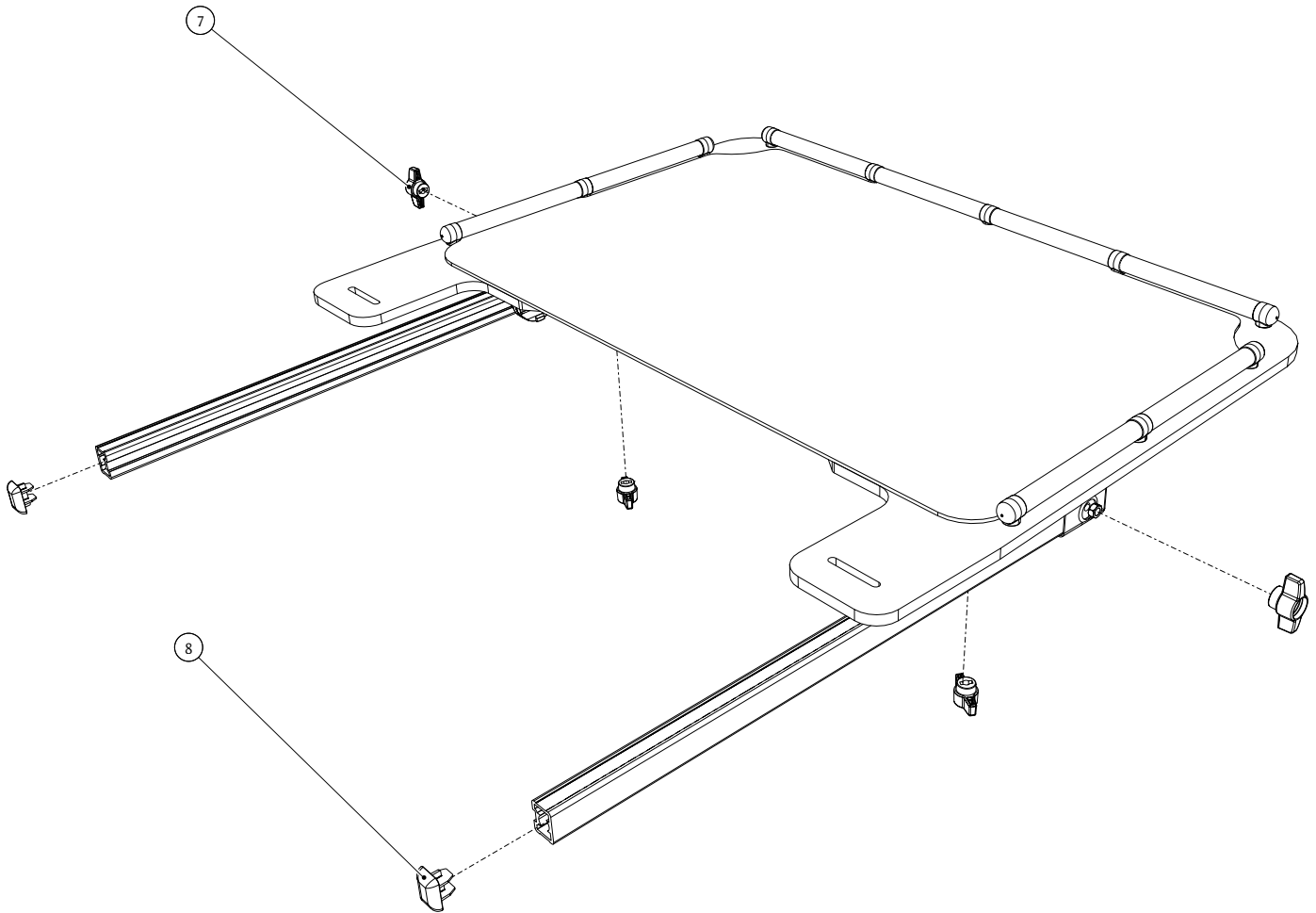
Standing Systems - Multistander Size 2 Manual



NUMBER	DESCRIPTION	CODE
5	Size 2 Main Column Sub Assembly inc. Lift Gas Spring u/w MUS02	MUS02 002
6	Size 2 Multistander Knee Block Fixing Sub Assembly	MUS02 005

Tray Assembly

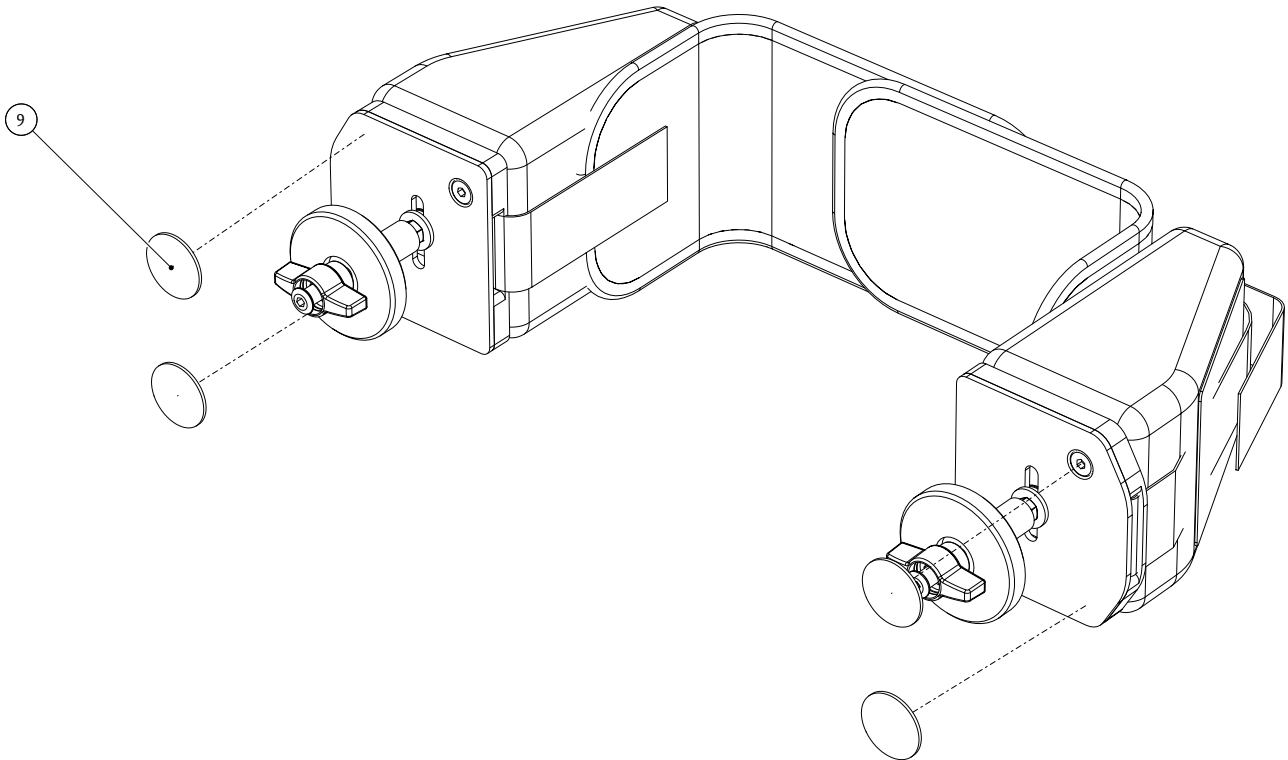
Standing Systems - Multistander Size 2 Manual



NUMBER	DESCRIPTION	CODE
7	Replacement Wingknob Screw Pack u/w MT03	SWP370
8	Rounded Tray Arm End Cap	LP065

Knee Block Assembly

Standing Systems - Multistander Size 2 Manual



NUMBER	DESCRIPTION	CODE
9	Self Adhesive Rubber Discs (Set of 4)	RPRT121



**For any queries regarding  
information within this  
document, please contact**

**[export@jenx.com](mailto:export@jenx.com)**

