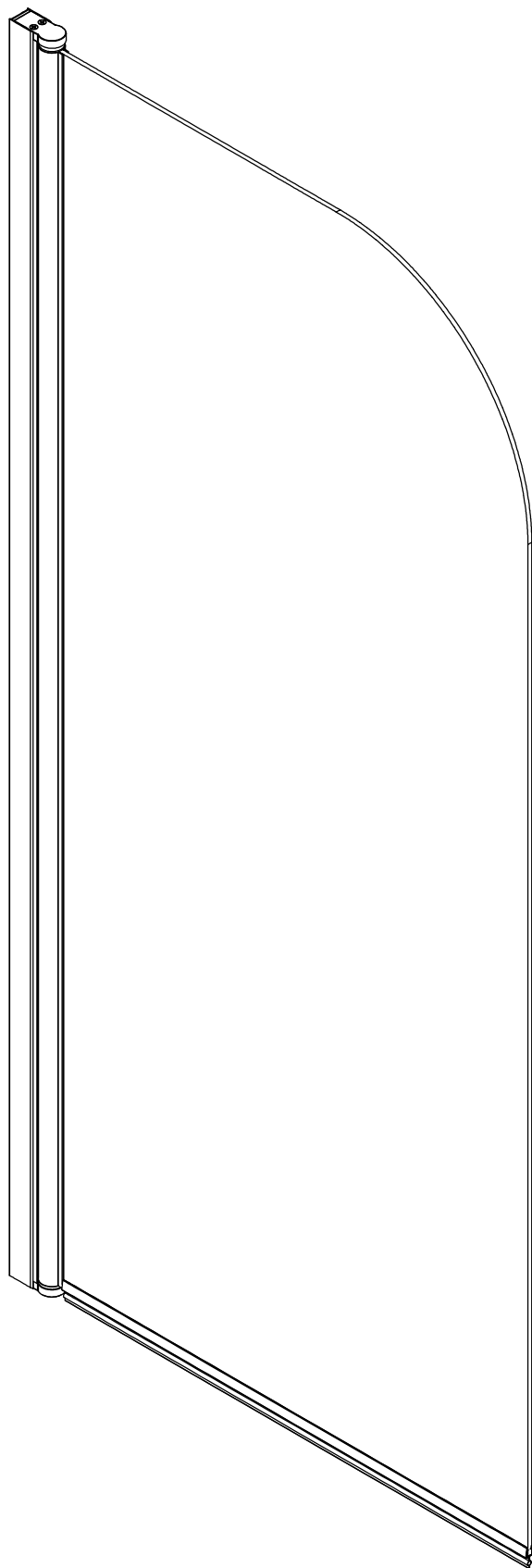
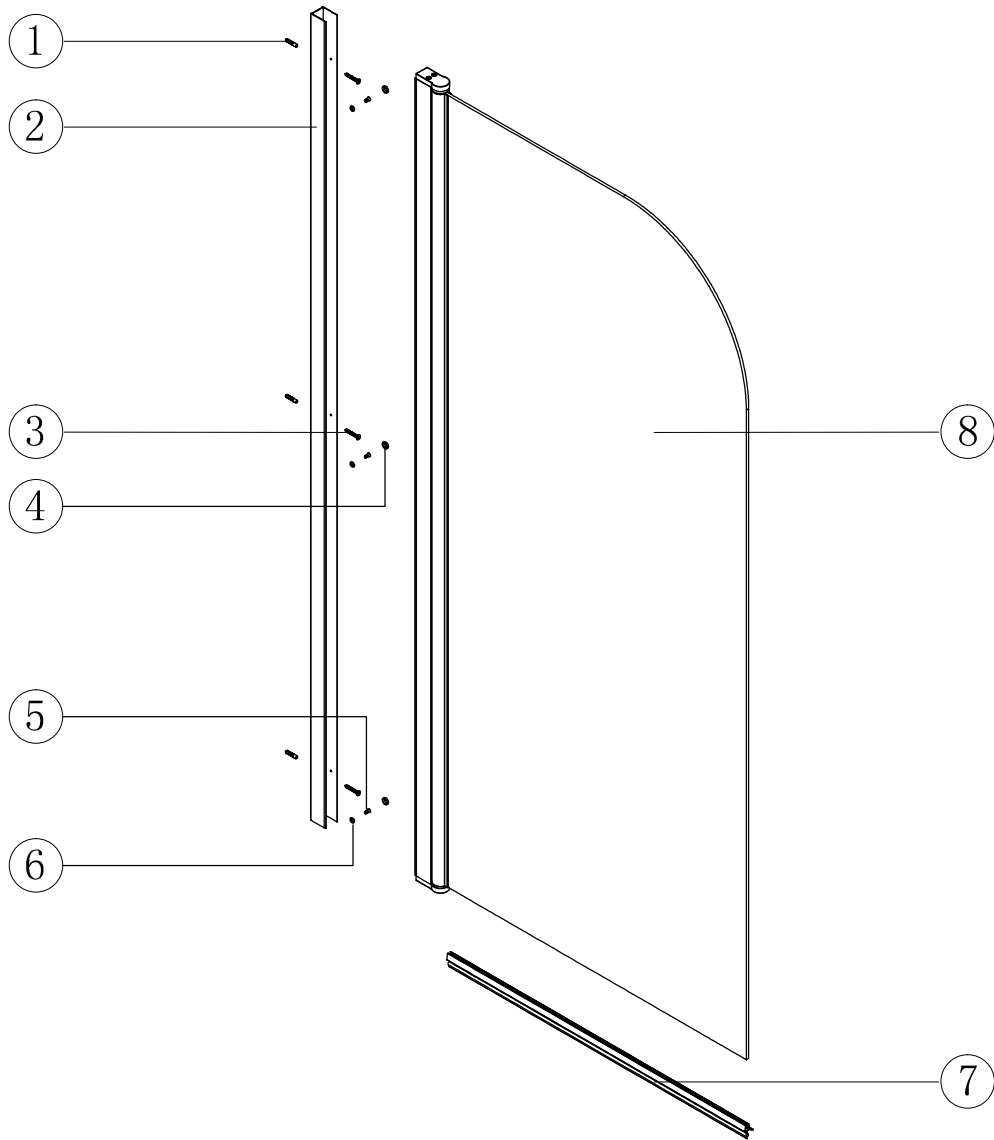


Installation Manual



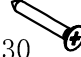





Brilliant (IP-80)



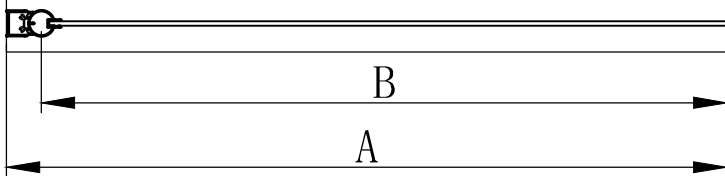
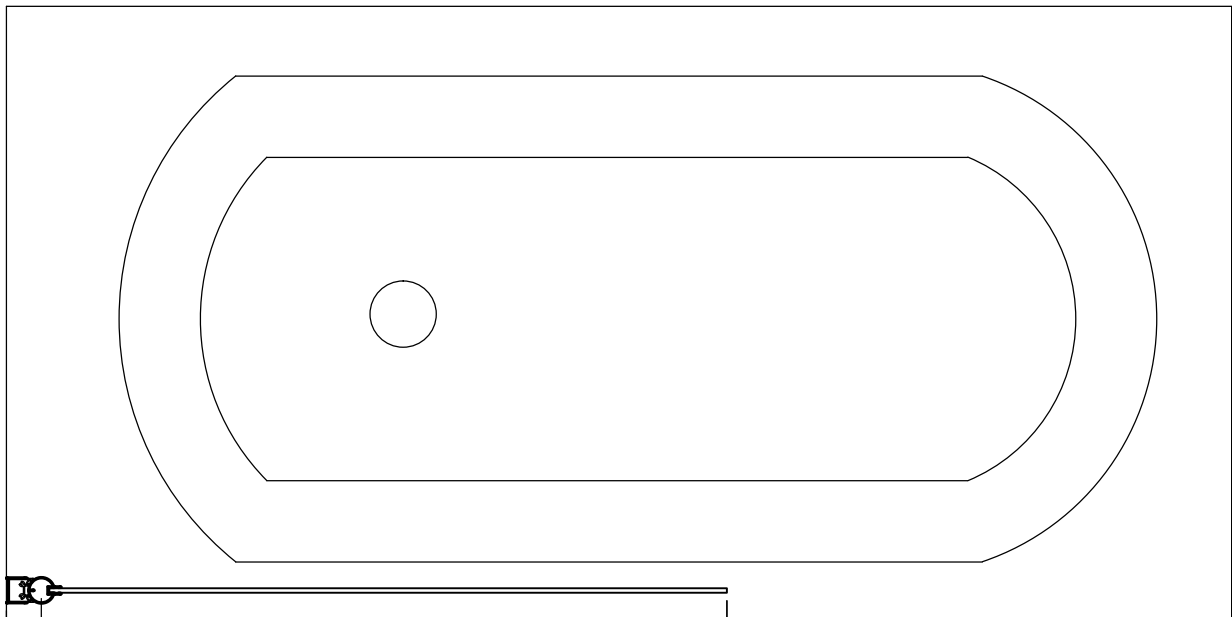
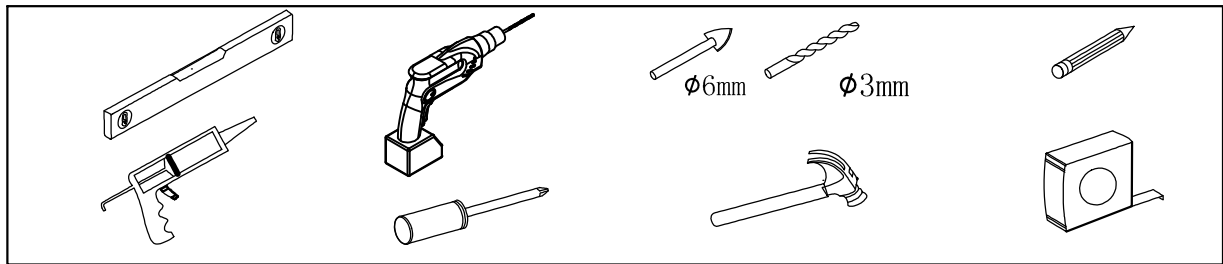
Exploded Diagram



Parts List

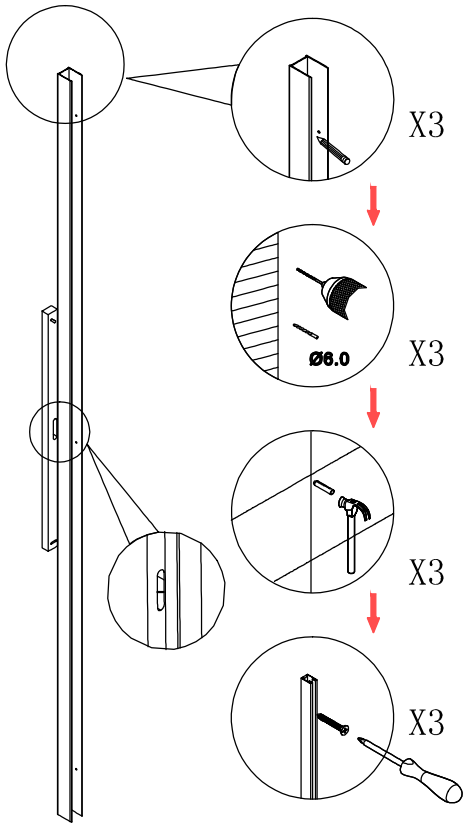
1	 x3	2	 x1	3	 x3 St4x30	4	 x3
5	 x3 St4x20	6	 x3	7	 x1	8	 x1

Tools Required

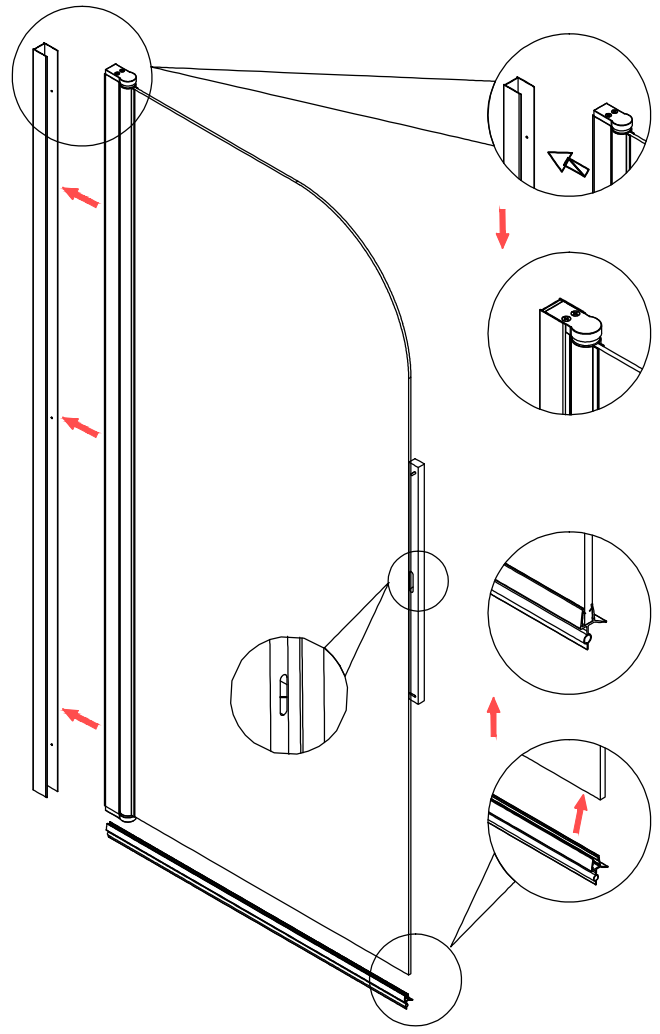


Dimension	Size A	Door B
32" x 54"	32"	30 1/2"

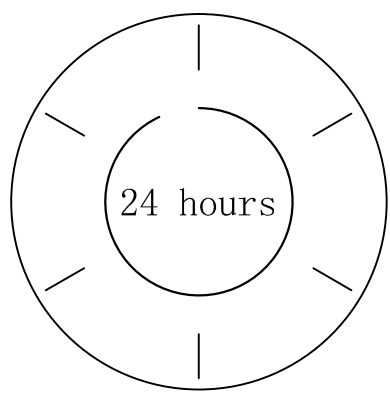
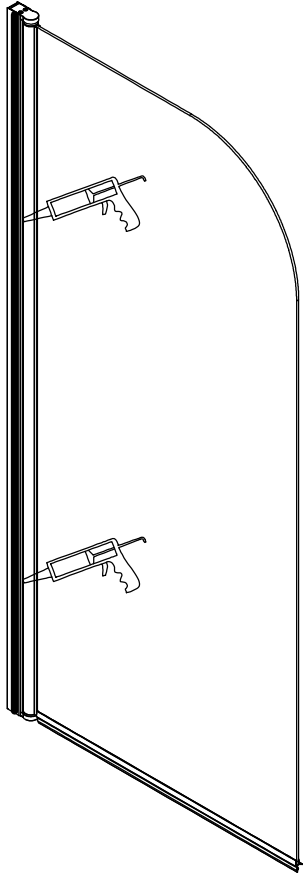
Step 1



Step 2



Step 3



DO NOT USE THE ENCLOSURE FOR 24 HOURS AFTER SEALING