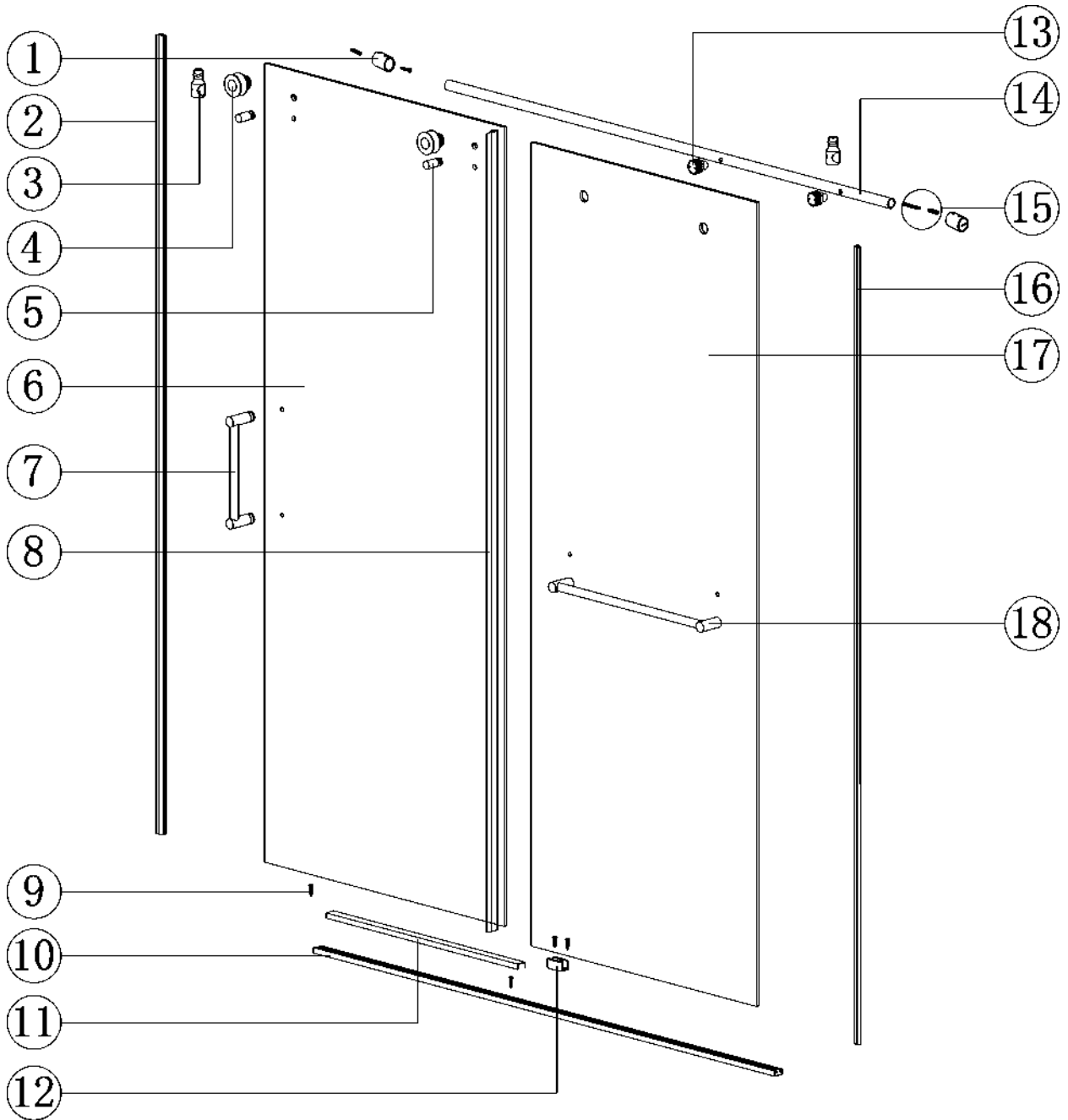







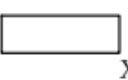










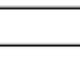
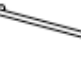
ELEGANT Frameless

Shower Door Installation Manual

MOSWEET SHOWER DOOR



Parts List

1  x2	2  x1	3  x2	4  x2	5  x2	6  x1
7  x1	8  x2	9  4x20 x4	10  x1	11  x1	12  x1
13  x2	14  x1	15  5x35 x2	16  x1	17  x1	18  x1

Included in your purchase Shipped in 2 separate boxes

A Fixed panel

B Clips, screws, and anchors

C Rubber block set (Various sizes)

Thank you for your purchase.

If for any reason you are having trouble with installation, or if the size of the product does not fit your designated space, please contact MoSweet directly and do not return this product to the place of purchase. We will be able to exchange the panels or parts to suit your opening.

MoSweet takes pride in providing quality products and customer service. We would to ensure your happiness with your purchase for years to come, we have an extensive range of sizes, so no matter what your measurements are, MoSweet can supply the panel to fit!

If you have any questions, please do not hesitate to reach out to us. Thank you again for choosing the MoSweet product!

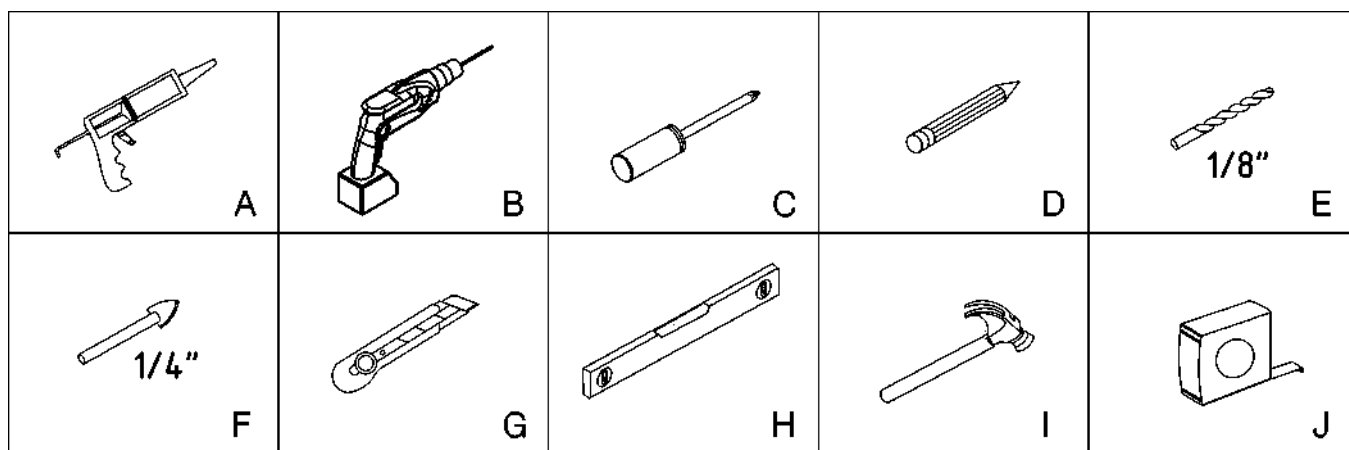
Best Regards,

The Team at
Sturbridge Supplies, INC
(617) 481 2685
Info@Sturbridgesupplies.com

Caution: The most fragile parts of tempered glass panels are the corners. Therefore, it is critical you have the rubber blocks in place so the glass never touches the tile surface you are installing onto, please make sure the glass is always on cardboard packaging or rubber blocks while out of the packaging prior/during installation, rubber block is provided in your hardware pack however you can use wood, cardboard, or other rubber products to protect against breakage.

Attention installer: A light haze or smudging may be present on the coated glass panels upon delivery, this is easily removed with denatured or isopropyl alcohol and a good quality microfiber cloth, followed by a rinse of water, this can be done before or after installation.

Installation Guide

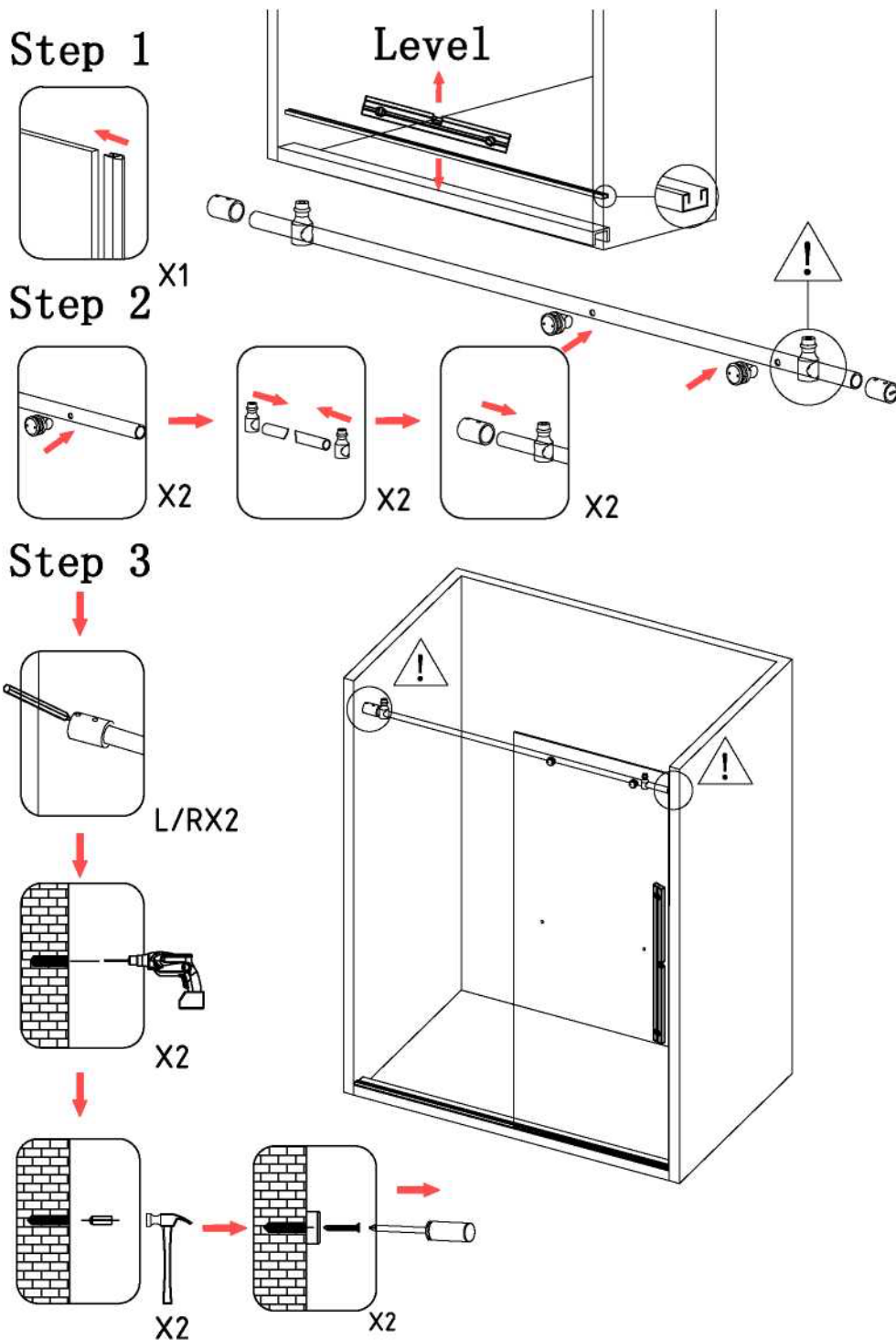


Tools required to install

- A. Silicone and caulking gun
- B. Power drill
- C. Phillips head screwdriver
- D. Pencil
- E. 1/8" Drill

- F. Tile drill bit
- G. Utility knife
- H. Level
- I. Hammer
- J. Tape measure

Note: Silicone is not provided and will need to be purchased separately. We recommend using a clear, mold resistant silicone which can be purchased at your local hardware store.



01

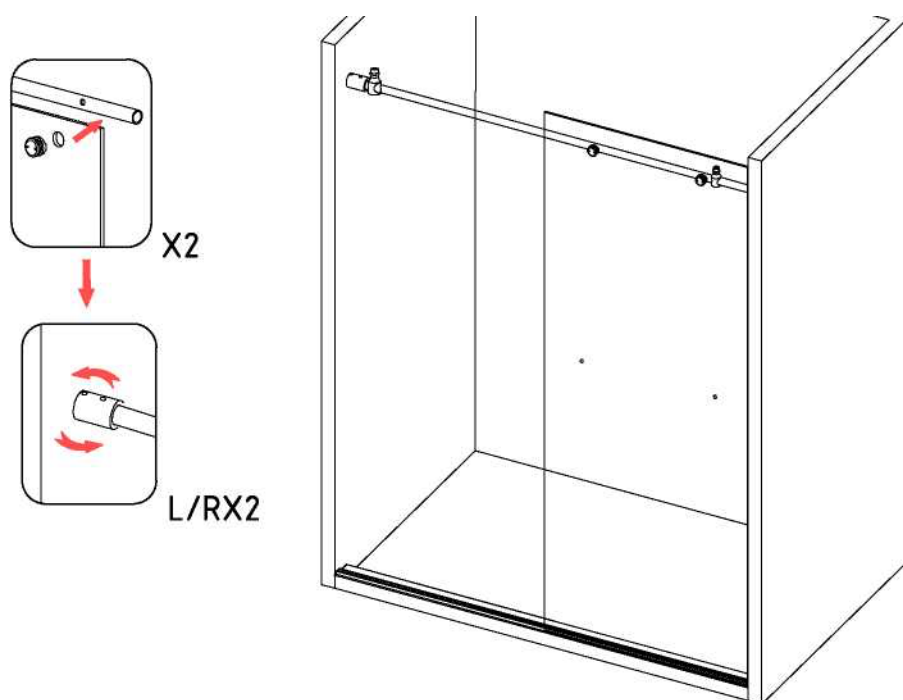
- Measure and mark the fixed panel location.
- Use a level and mark a line up the wall and along the floor. This is your center line for the clips.
- Important: This panel is fully reversible and can be installed on right- or left-hand wall as needed.

02

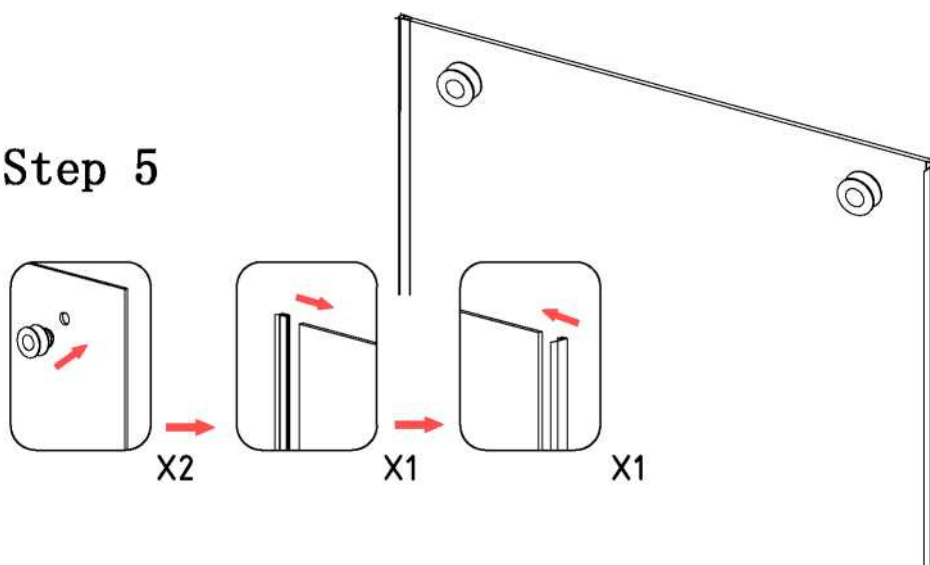
- Mark the four clip locations.
- A. 70 from the floor, up the vertical line.
- B. 8 from the floor, up the vertical line.
- C. 32 out from the wall on the floor.
- D. Measure width of fixed panel and subtract 3 1/2- measure this distance out from wall and mark on floor.

Tip: We recommend using a pencil so this can be easily removed.

Step 4



Step 5



03

- Drill the holes for clips to fix to the wall and floor.
- Using a 1" tile drill bit, drill the four marked holes on the wall and floor.
- If the showerbase is tiled, use the same tile drill bit to drill both holes on the shower floor.

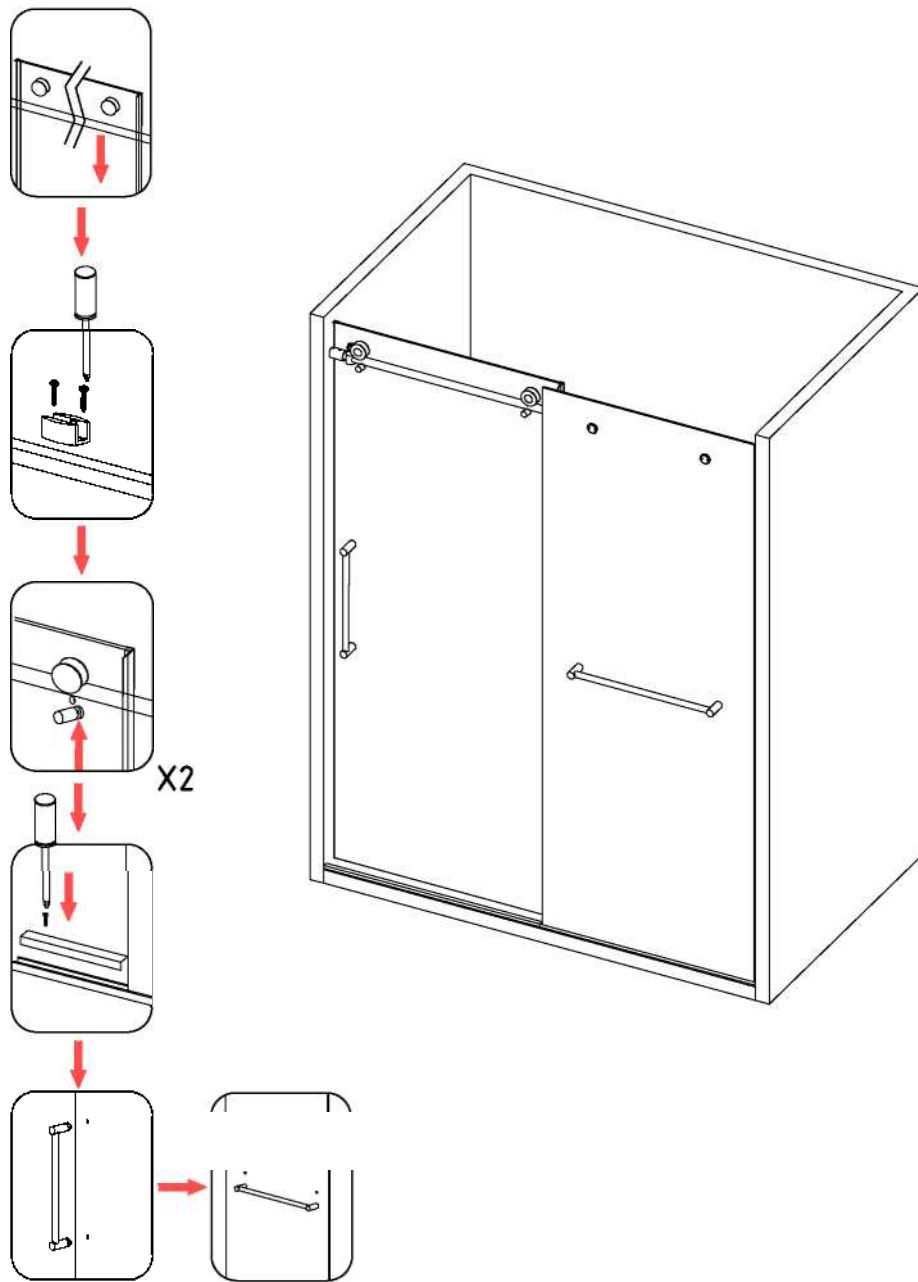
-If the shower base is fiber glass, use a drill bit for the floor holes, you will not use the green wall anchors but rather screw the floor clips directly into fiberglass base.

Important: There is a stamp on the corner of all Glass Warehouse glass panels to certify it is tempered safety glass. We recommend panels are installed with the stamp at the bottom where it is less noticeable. Note: The stamp is baked on during the tempering process and cannot be removed.

04

- Fix anchors and clips.
- Using a hammer, carefully insert the green wall and floor anchors, trim any excess from the plug hanging out of hole so your clips can sit flush to wall and floor.
- Place clips over holes and drill in screws to secure the clips. Make sure these are securely tightened.

Step 6



05

-Set the fixed panel in place.

-Place a h6' rubber block inside each floor clip. Rubber blocks are not required in the wall clips.

-Carefully place the fixed panel into the floor clips and slot it into the wall clips, partially tighten screws

-Use a level on the outer-edge to ensure the fixed panel is level and in line.

Tip: Use additional rubber blocks in either of the floor clips to raise/drop the fixed panel if required

06

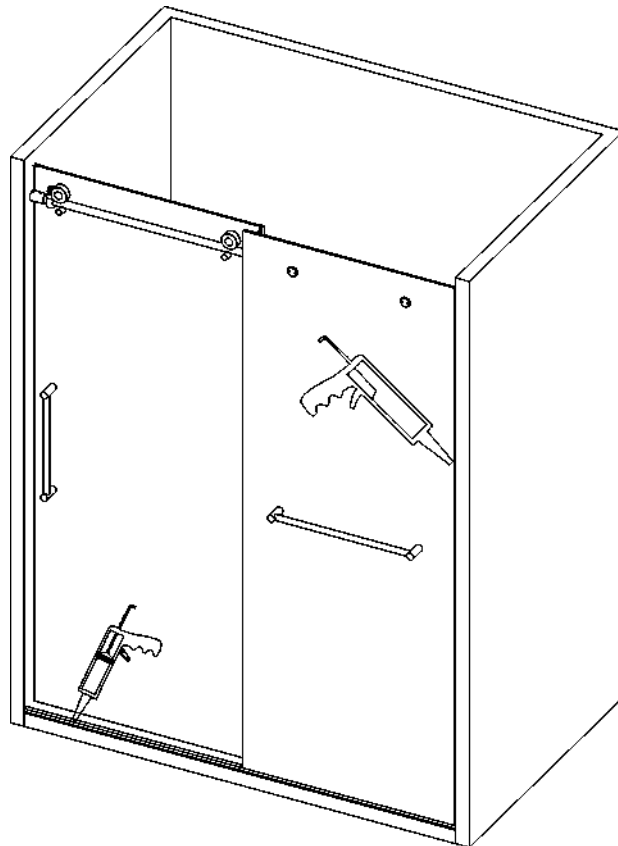
-Apply silicone to seal fixed panel.

-Apply silicone around the wall and floor surface of the panel. You need to silicone both the inside and outside edges ensuring the gap between glass and tile is completely sealed.

-Once sealed, spray the silicone with water and use a spatula (available in our install kit) to remove any silicone residue.

Important: It is critical that the silicone is given 24 hours to set and 48 hours to cure.

DO NOT USE THE ENCLOSURE FOR 24 HOURS AFTER SEALING



07

-Once silicone has cured, you'll all set

Care & Maintenance

Crystal X Tech water and stain-resistant glass coating makes cleaning easier and less frequent; However it is recommended that you continue to clean the surface regularly

Maintaining the treated surface

For best results simply drying the glass with a squeegee or towel after each use will help keep the glass clean and reduce mineral spots forming, the glass needs to be cleaned every few weeks using a damp microfiber cloth and a mild detergent to break down soaps, oils, and conditioners on the glass, general glass cleaners are also suitable, however most of these are finishing agents rather than cleaners, and are an added expense that is not required

Hard water maintenance

In hard water areas, or areas where water drops dry and leave a noticeable dust mark, a build of minerals may occur on the protective treatment, while these may not be removed as easily with the mild detergent, mild acids will often remove the marks quickly, as needed white vinegar should be used to wipe down the glass. Keep in mind the vinegar may be diluted with water, however dilution reduces the effectiveness.

Spray vinegar onto the glass and allow to soak for several minutes, this should dissolve any mineral deposits that have built up on the glass surface, a damp microfiber cloth should then be used to wipe over the surface. For extreme hard water areas we recommend using undiluted vinegar every week or so as a cleaning option to reduce this build up on the surface, rather than allowing the build up to continue over a long period of time.

Caution: Prohibited products note these may damage the treatment and void any warranty

- **Avoid the use of any abrasives or polishes including water spot removers, toothpaste, polishes, rough, or gritty substances**
- **Avoid the use of acids or alkalis that you would not want in contact with your skin for an extended period of time**
- **Avoid products such as comet, ajax, jiff or cerium Oxide which polish back the actual substrate**
- **Avoid the use of any harsh or chemical cleaners, with correct maintenance these are never required**

Approved cleaning products

The below products have been tested for compatibility with coated glass surface, however there are no specific products that must be used, we feel you should not be required to purchase extra products in order to keep your glass clean, with correct maintenance, all you need for clean glass beyond 10 years is a squeegee, a mild liquid dish soap, and white vinegar.

Any product that does not fall into the prohibited categories listed above will be fine, and below is a short list of acceptable products:

- . Windex
- . Spray Way (or other alcohol based foaming cleaners)
- . Scrubbing bubbles (or other automatic leave-to-dry daily shower cleaners)
- . 7th generation, dawn (or other mild eco friendly cleaners)
- . CLR (calcium/lime/rust)
- . Mr.Clean magic eraser (when damp)

It should be noted that with any cleaner used on the coated surface a thorough rinse with clean water should follow immediately. Although these cleaners can be used, Crystal X tech is designed to be an 'easy clean coating that does not require harsh or toxic cleaning chemicals to maintain the surface effectively.

If for any reason the recommended maintenance has not been followed for some time, just as it took time for the build up to occur, it will take time to remove the debris from the protected glass surface, this can most commonly be achieved using undiluted white vinegar dampened on a magic eraser, or CLR on a Magic Eraser. Depending on the severity of the build up this may take multiple attempts, but once the glass is clean again it will perform like new. should you have any queries regarding the cleaning of your treated surfaces please contact us by phone: 617 4812685 or email us: info@sturbridgesupplies.com