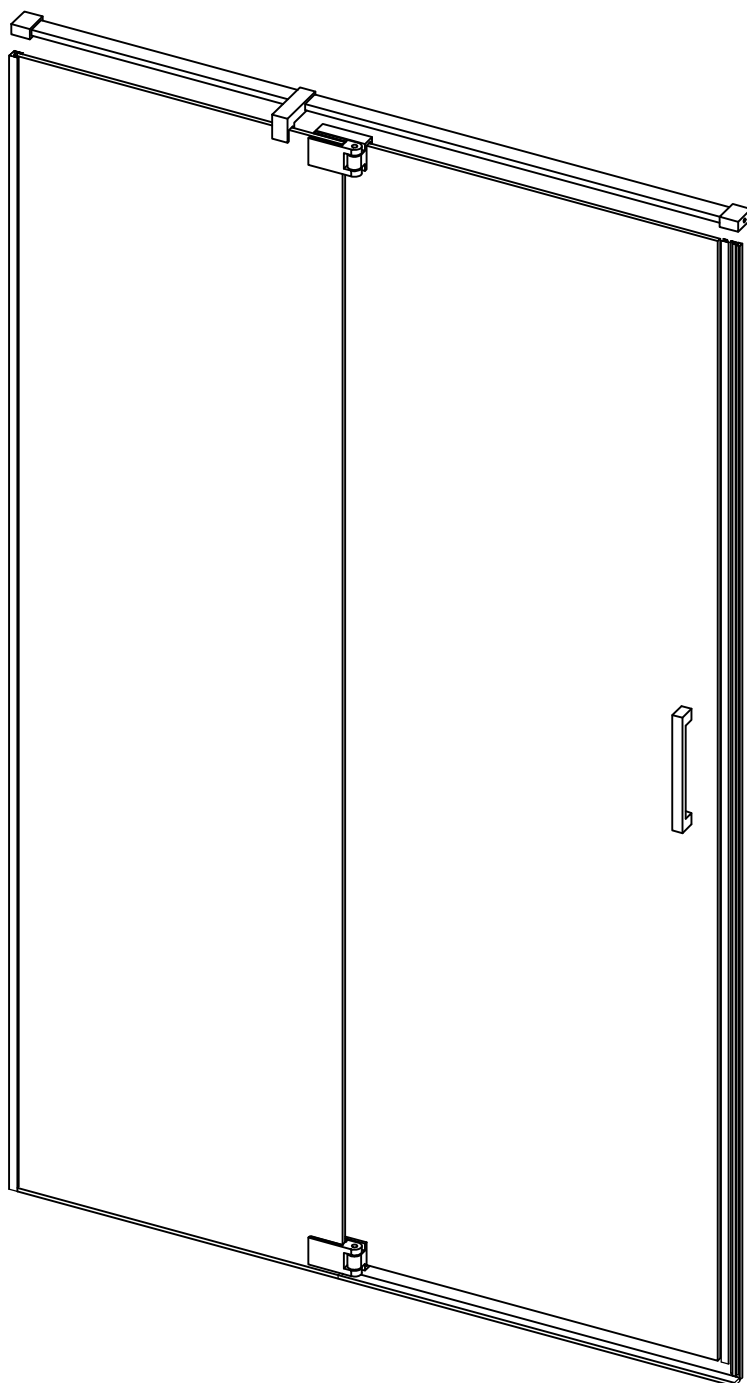
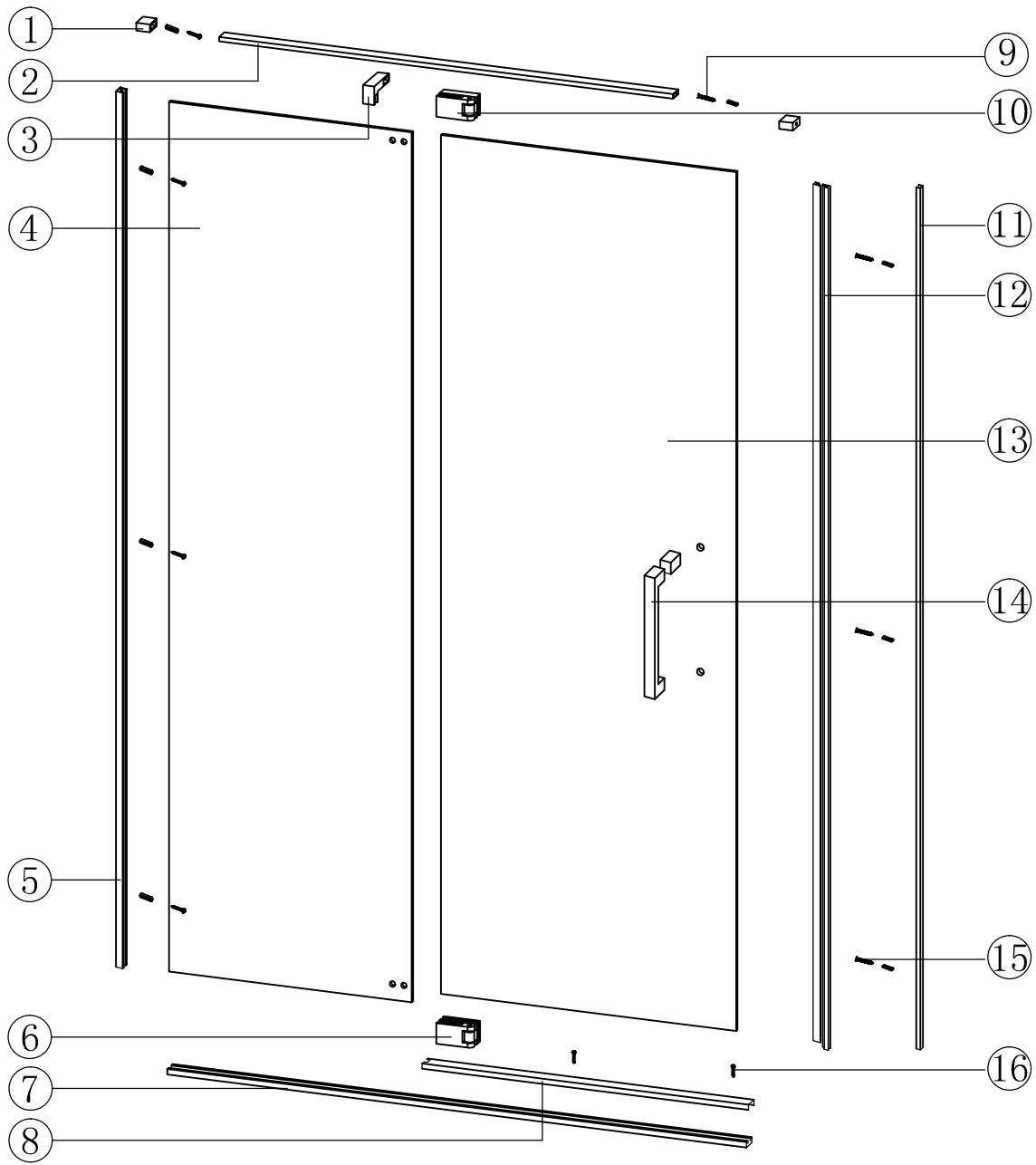


# Installation Manual

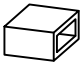
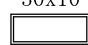




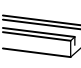




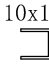

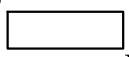
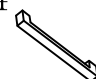

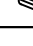

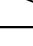
## Elite (BS-310C)



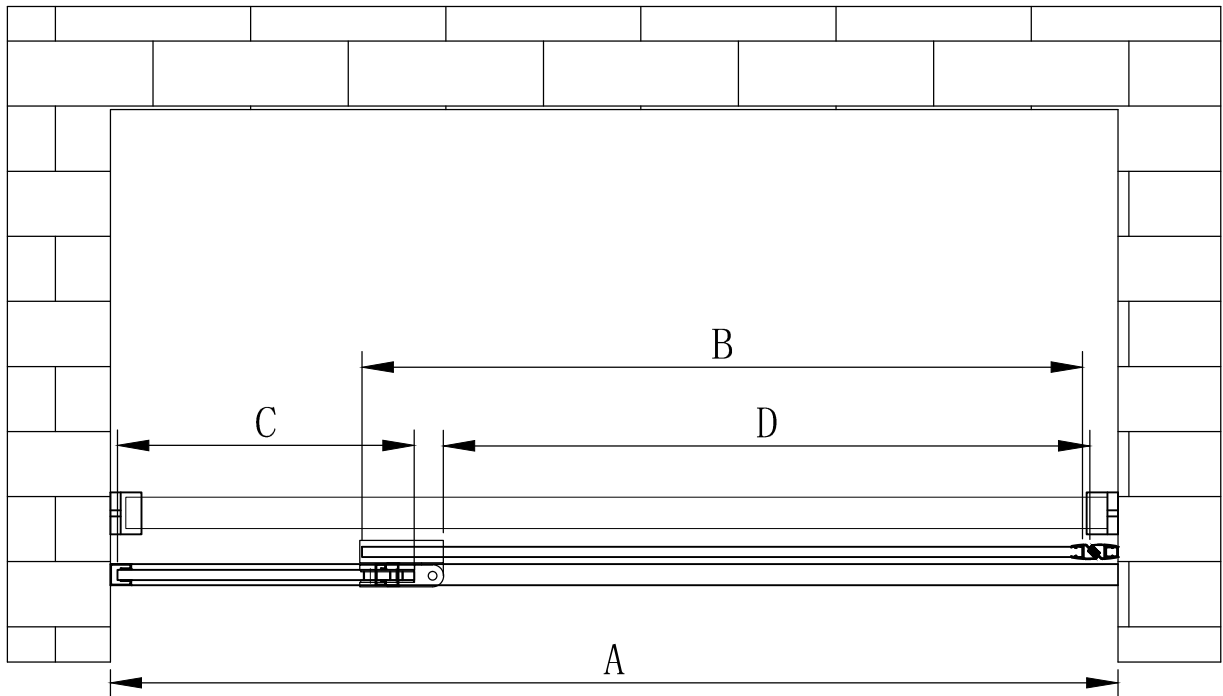
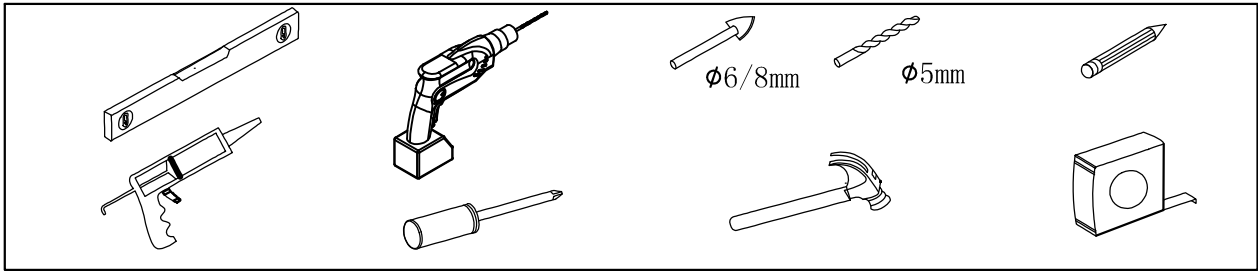
# Exploded Diagram



## Parts List

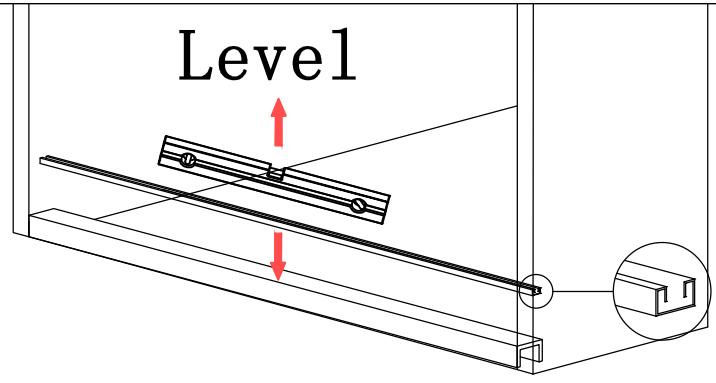
1	 x2	2	 30x10 x1	3	 x1	4	 x1	5	 x1	6	 Up x1
7	 x1	8	 x1	9	 ST5x35  x2	10	 Down x1	11	 10x12 x1	12	 x2
13	 x1	14	 x1	15	 ST4x30  x6	16	 ST4x20  x2				

# Tools Required

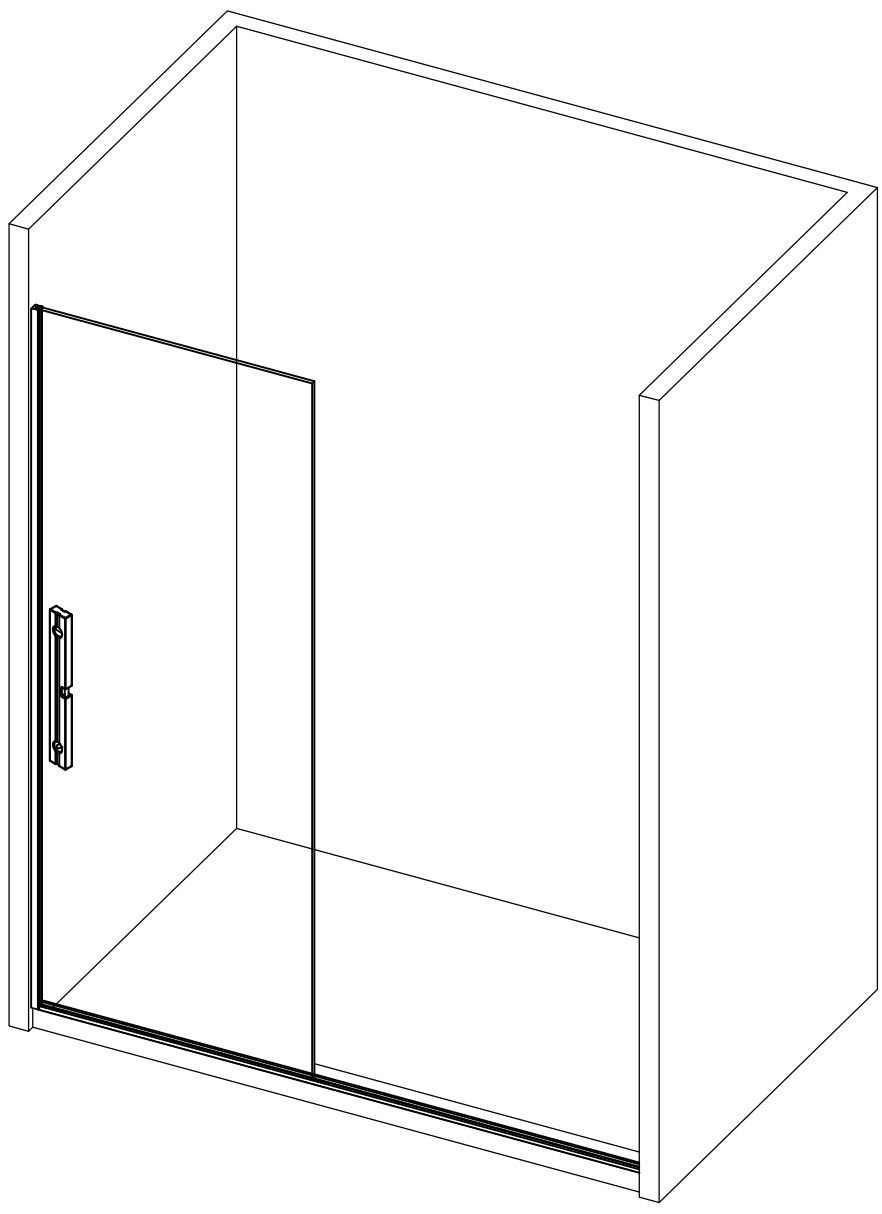
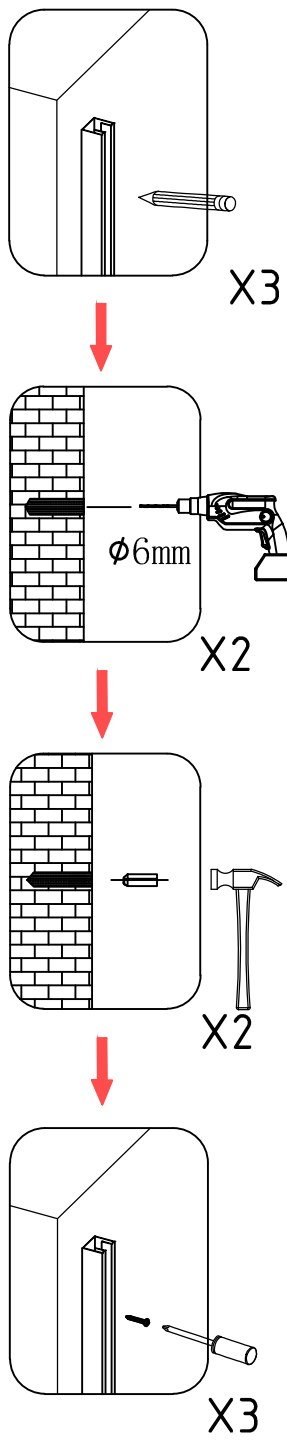


Dimension	Size A	Door B	Door C	Opening space D
30"-34" x 76"	30"-34"	27"	7"	19 1/2"-23 1/2"
34"-38" x 76"	34"-38"	27"	11"	19 1/2"-23 1/2"
38"-42" x 76"	38"-42"	27"	15"	19 1/2"-23 1/2"
42"-46" x 76"	42"-46"	27"	19"	19 1/2"-23 1/2"

# Step 1

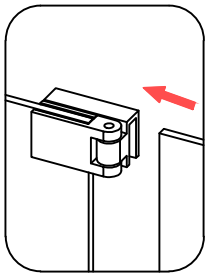


# Step 2

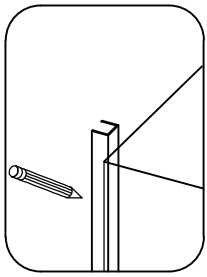




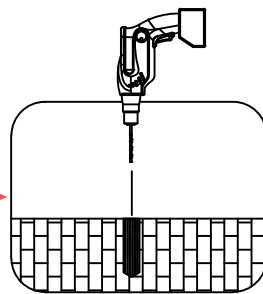
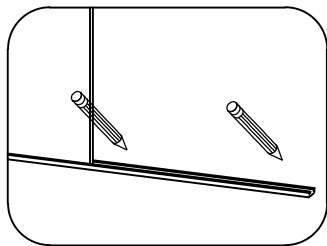
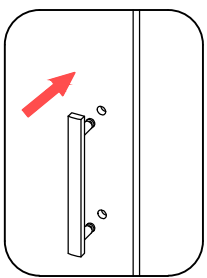
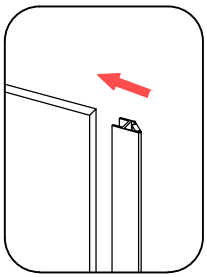
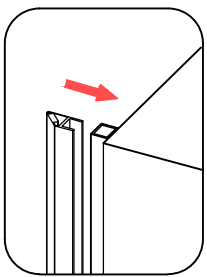
# Step 5



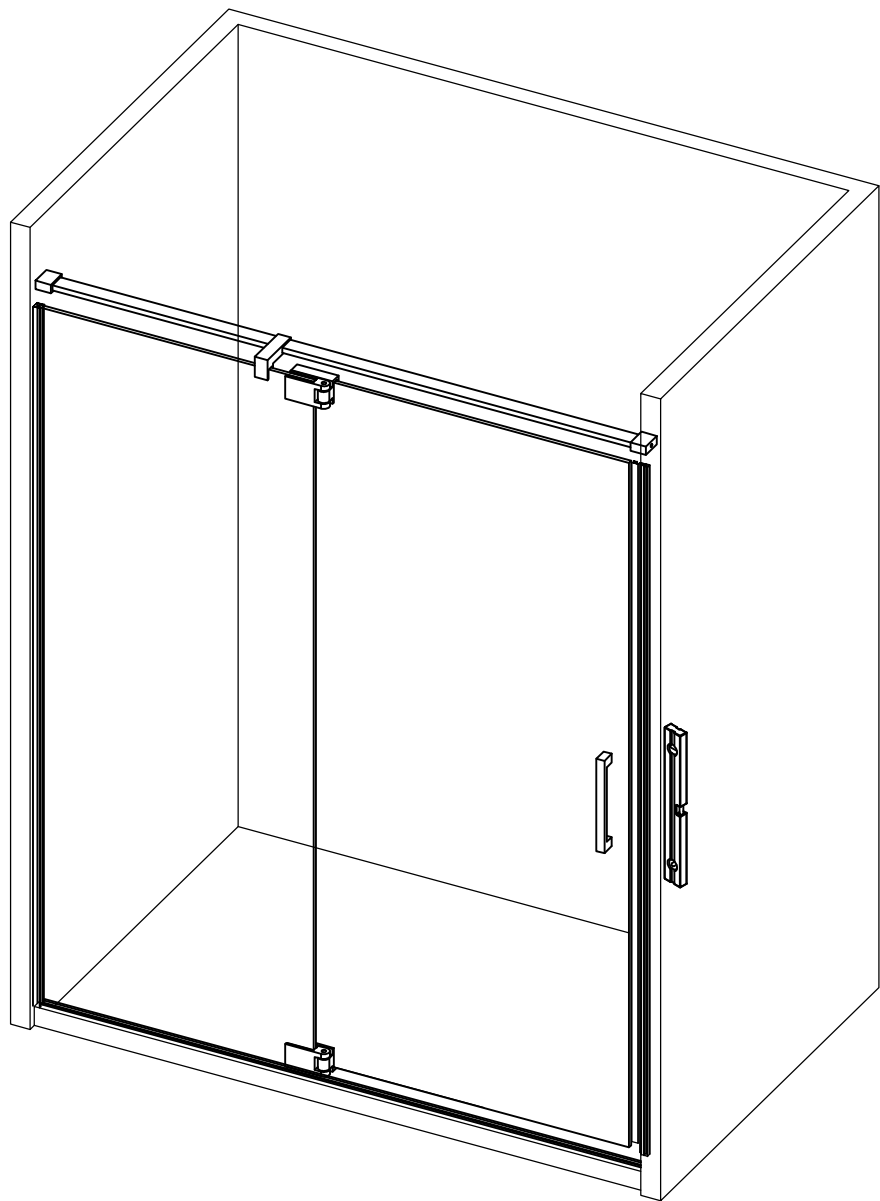
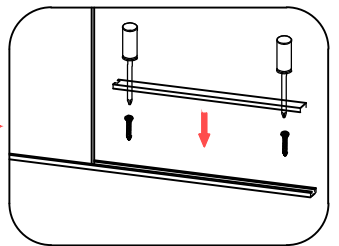
X2



X3



X2



# Step 6

DO NOT USE THE ENCLOSURE FOR  
24 HOURS AFTER SEALING

