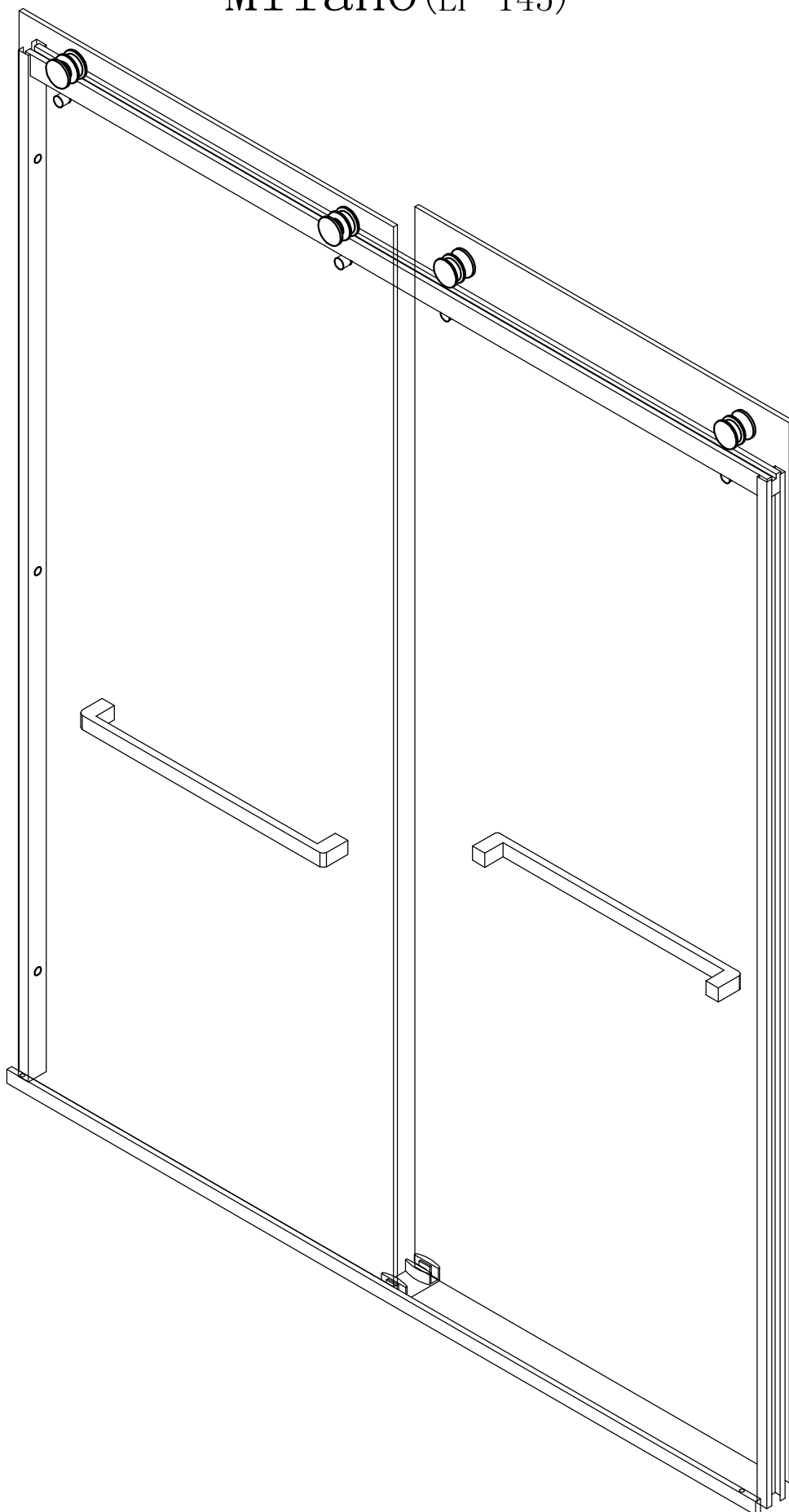
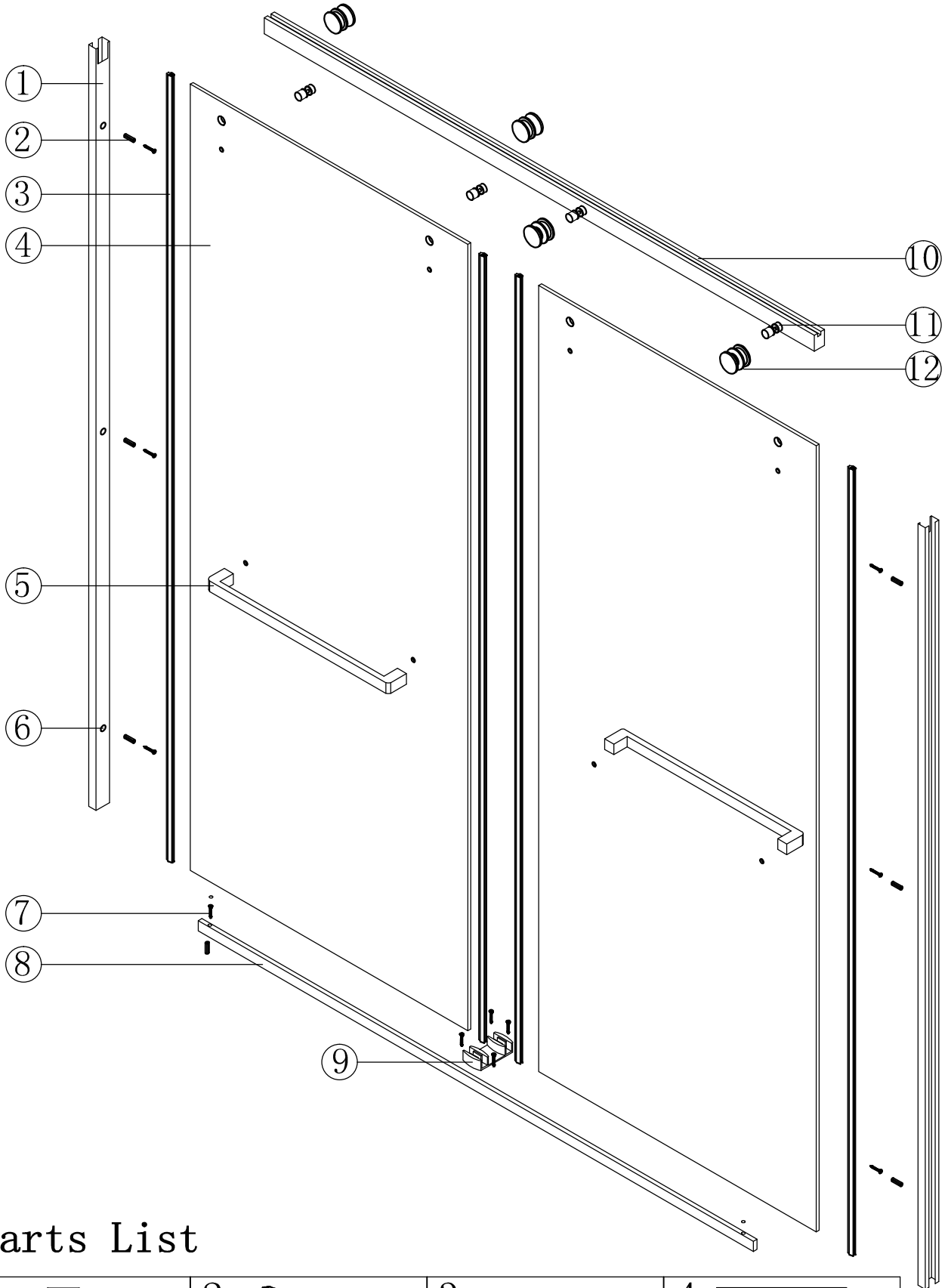


Installation Manual




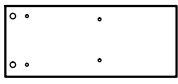
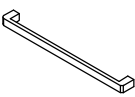



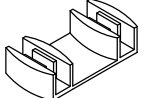
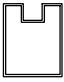


Milano (LP-145)



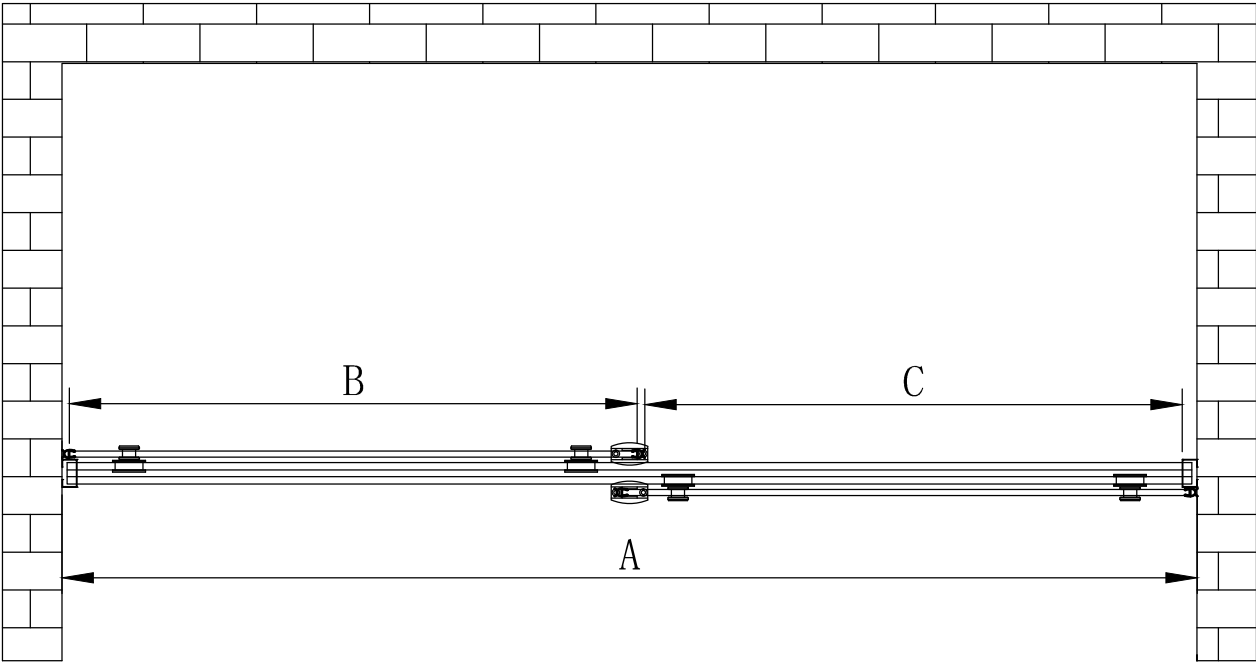
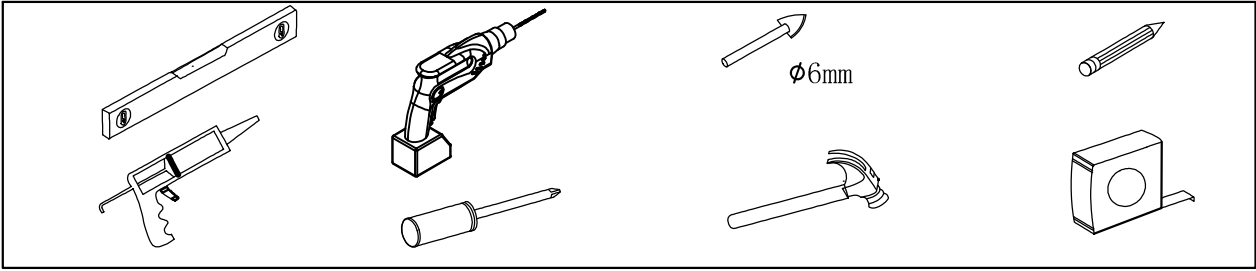
Exploded Diagram



Parts List

1	 x2	2	 ST4x30 x6	3	 x4	4	 x2
5	 x2	6	 x6	7	 ST4x16 x6	8	 x1
9	 x1	10	 x1	11	 x4	12	 x4

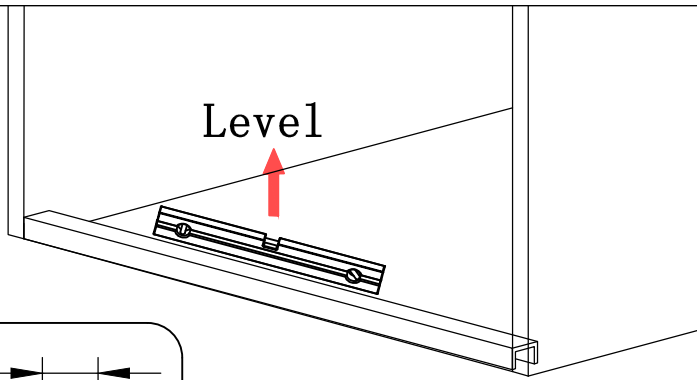
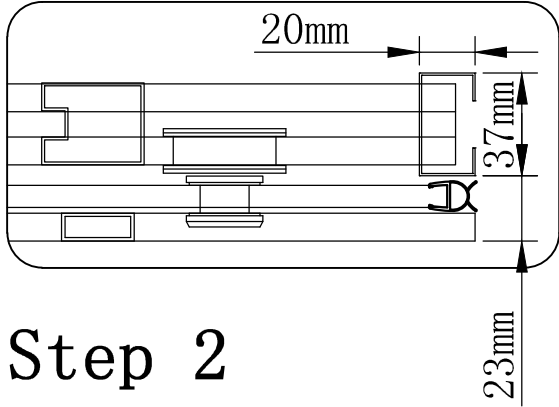
Tools Required



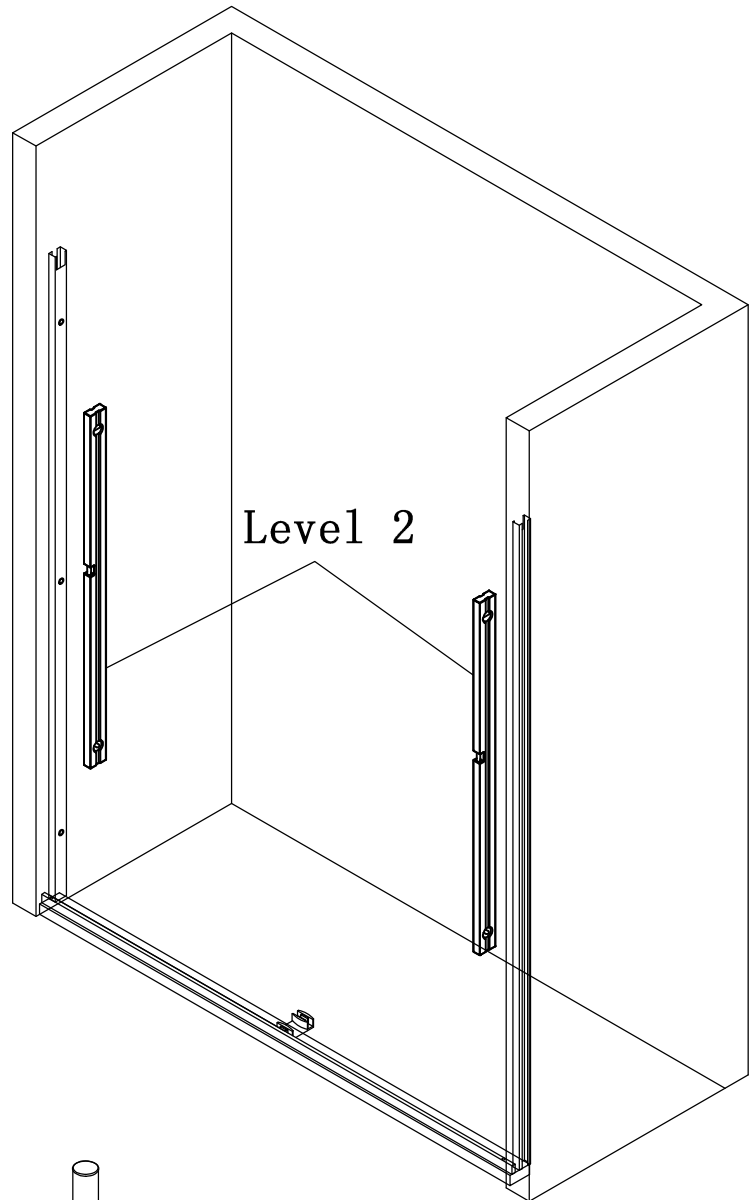
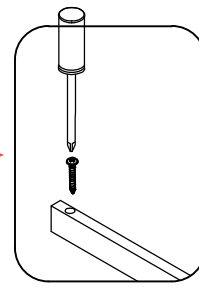
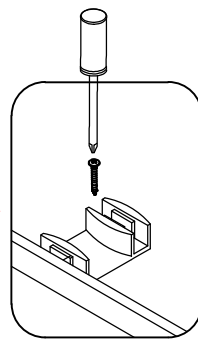
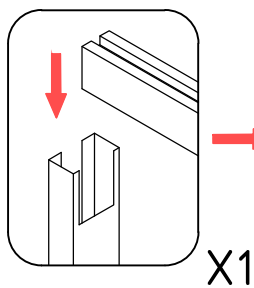
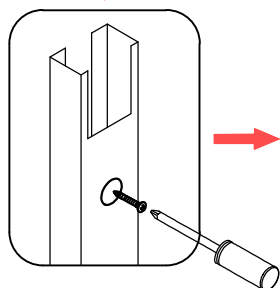
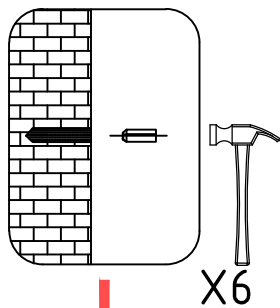
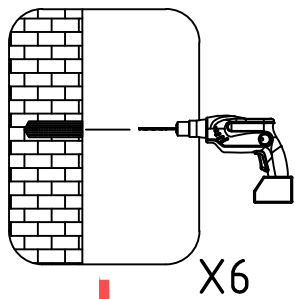
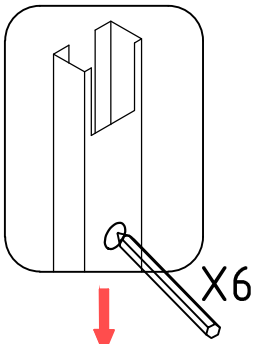
Dimension	Size A	Door B	Door C	Opening space D
60" x 74"	60"	30"	30"	28 $\frac{1}{3}$ "

Step 1

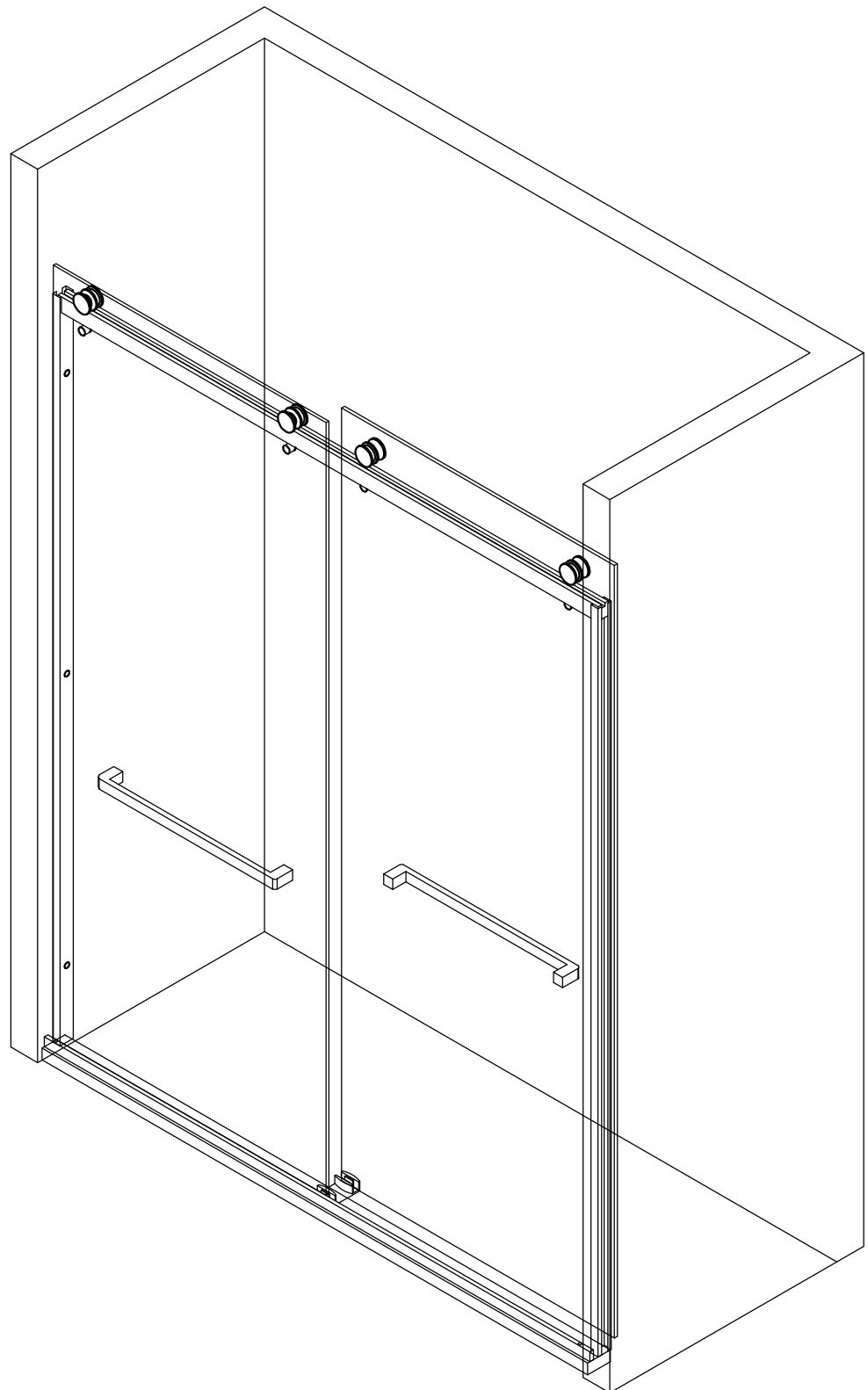
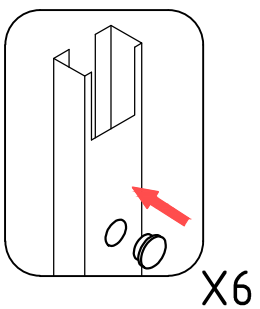
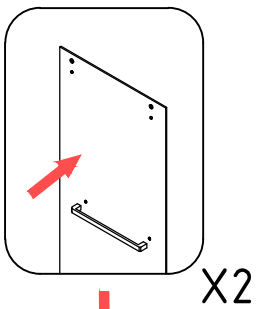
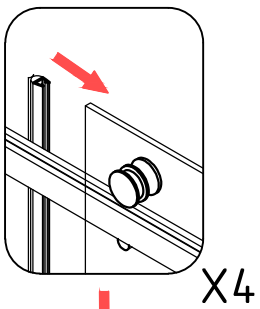
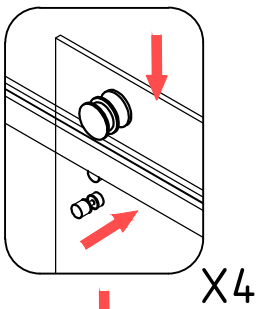
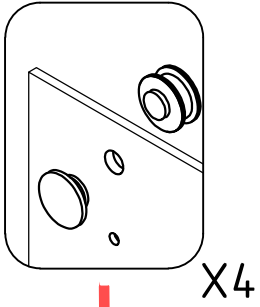
Notice



Step 2



Step 3



Step 7

DO NOT USE THE ENCLOSURE FOR
24 HOURS AFTER SEALING

