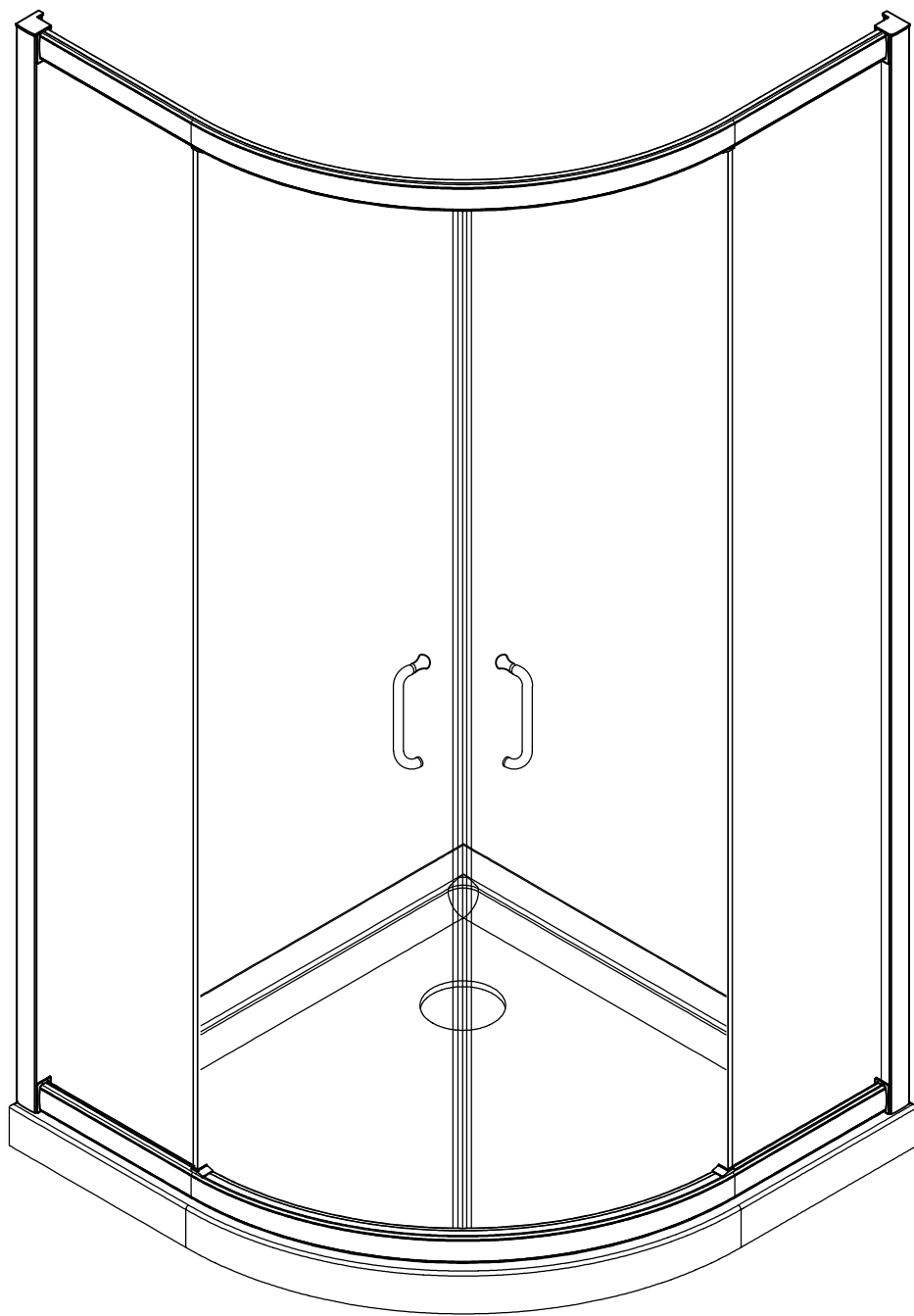
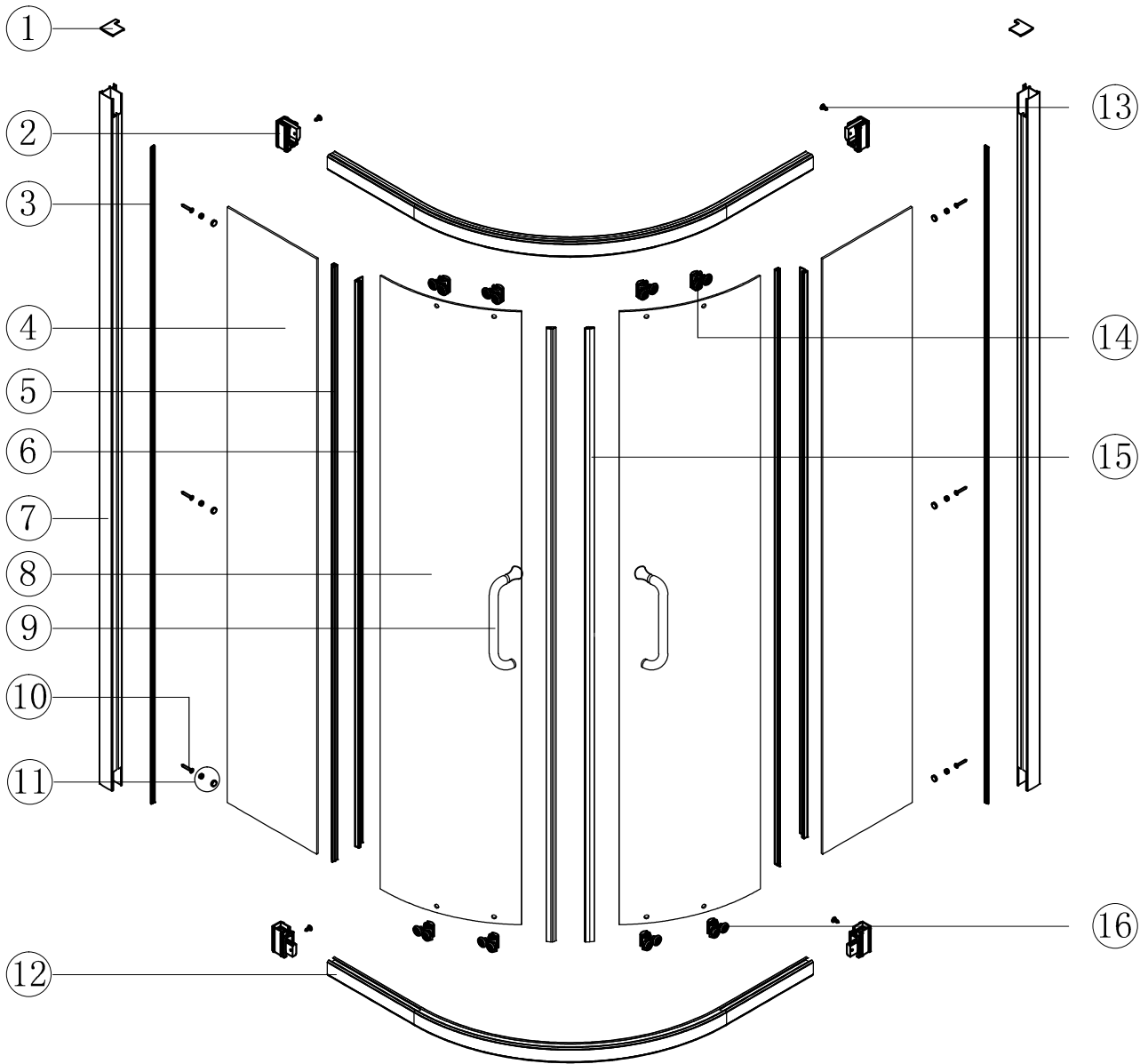


Installation Manual




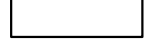



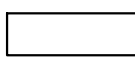








Royal (MF-409)



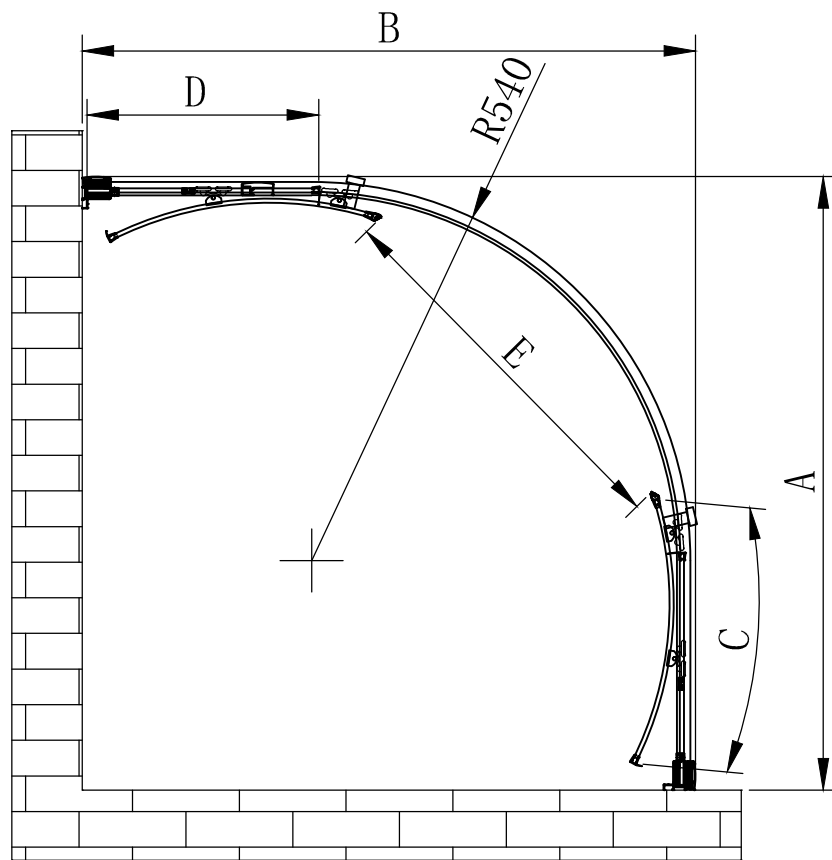
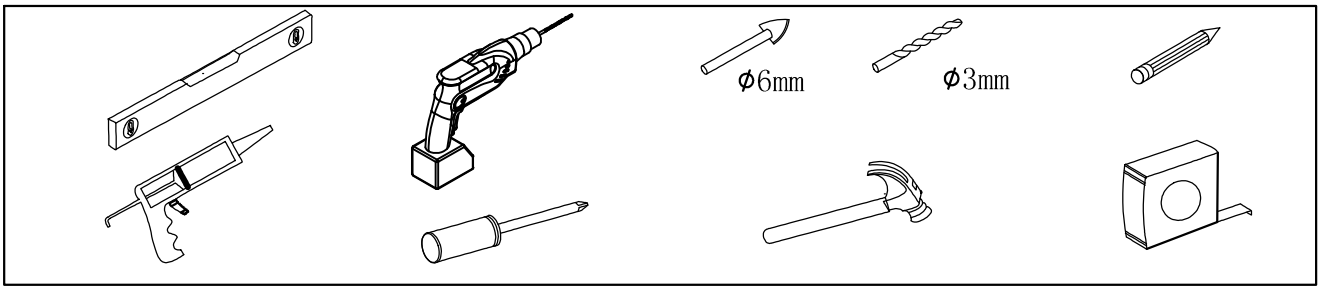
Exploded Diagram



Parts List

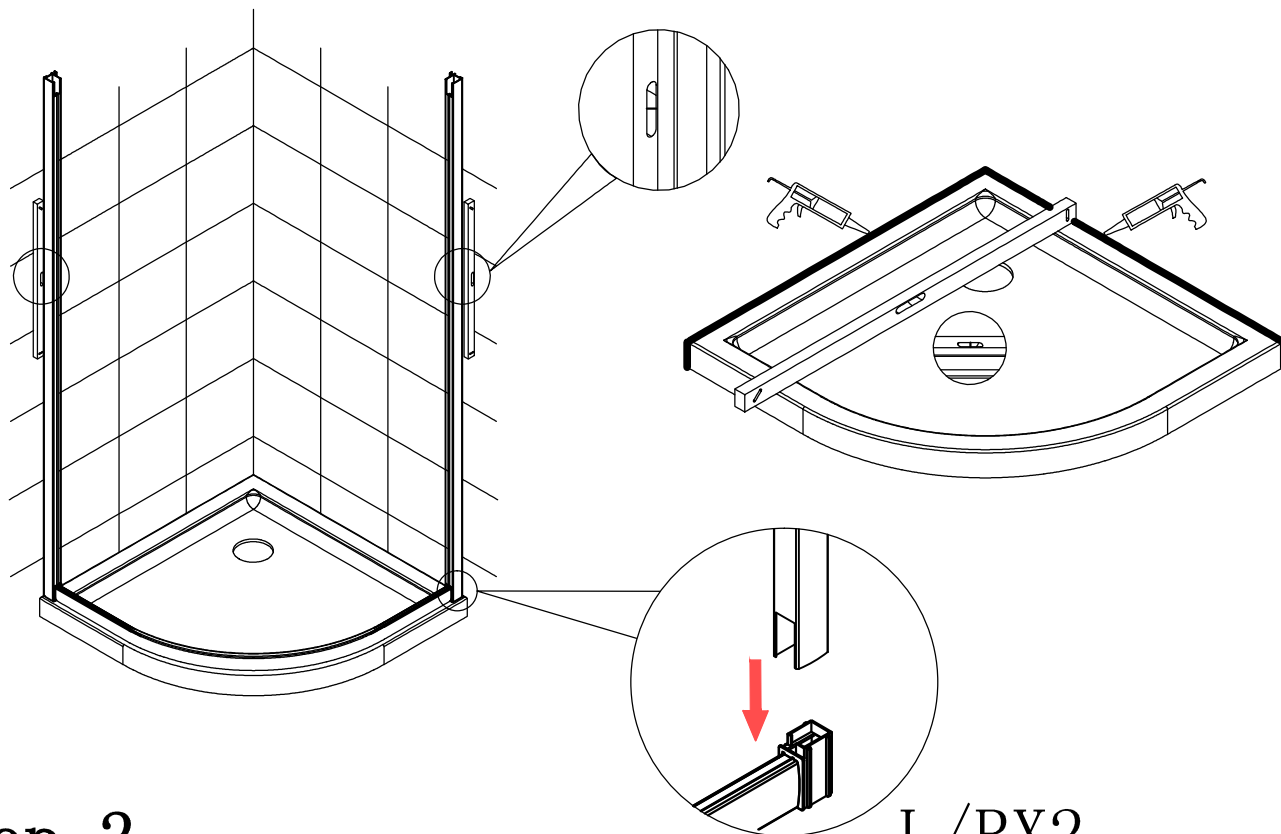
1	 x2	2	 Up Down x4	3	 x2	4	 x2	5	 x2	6	 x2
7	 x2	8	 x2	9	 x2	10	 ST4X30 x6	11	 x10	12	 x2
13	 ST4X8 x8	14	 x4	15	 x1	16	 x4				

Tools Required



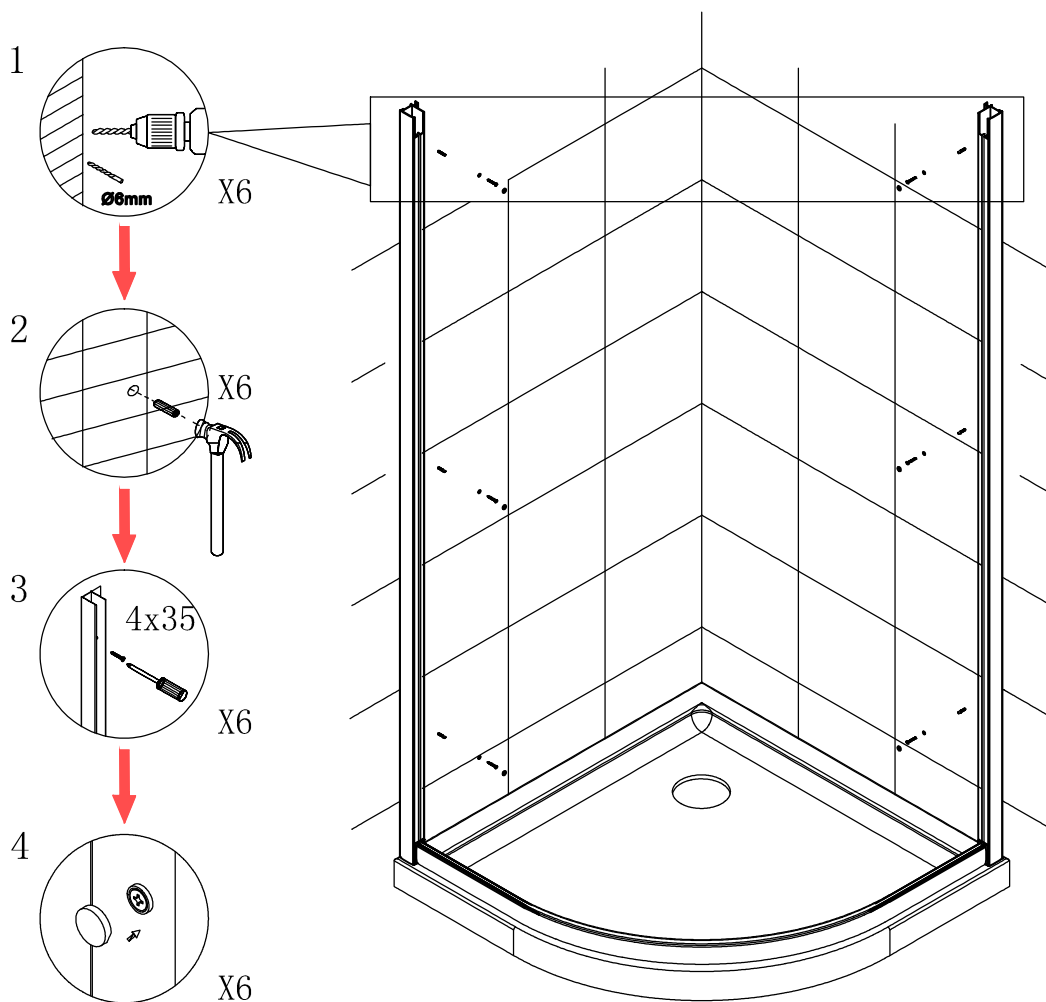
Dimension	Size A	Door C	Door D	Opening space E
35 1/2" x 35 1/2"	34 1/2" x 34 1/2"	15"	13"	21 1/2"

Step 1

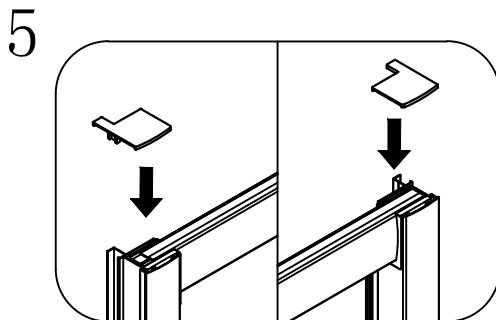
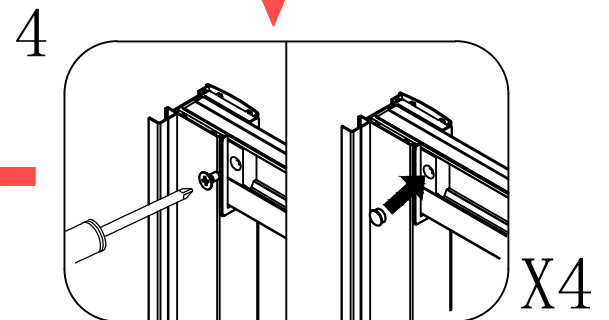
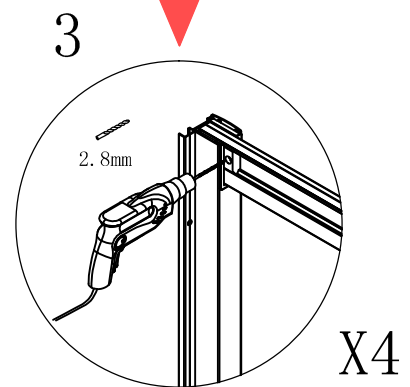
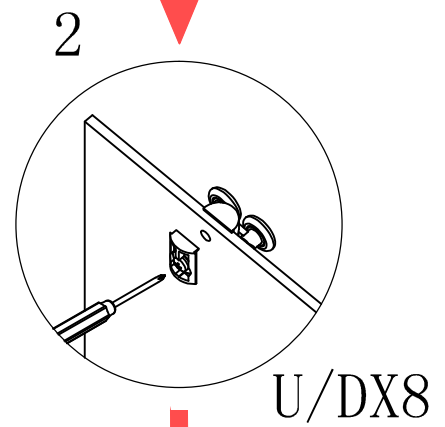
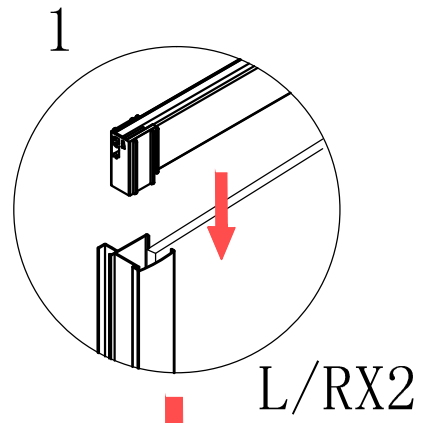
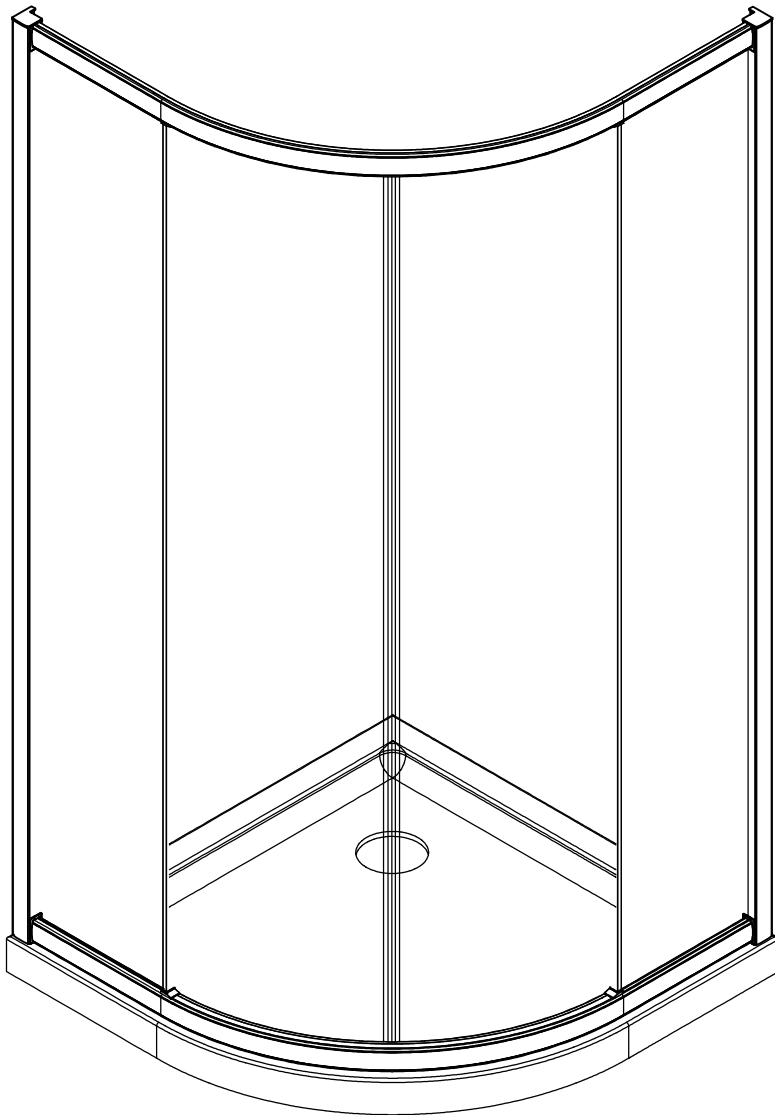


Step 2

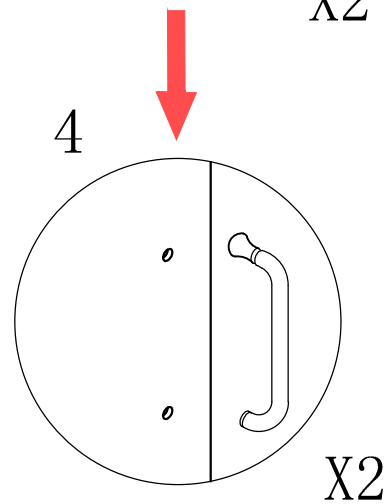
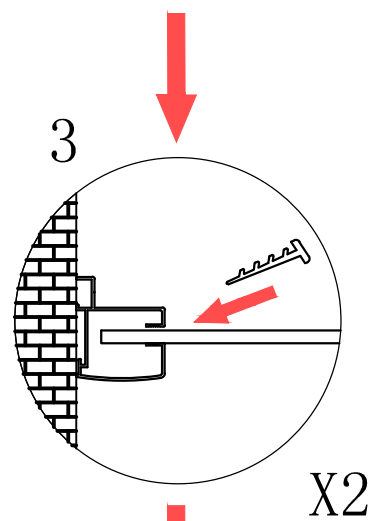
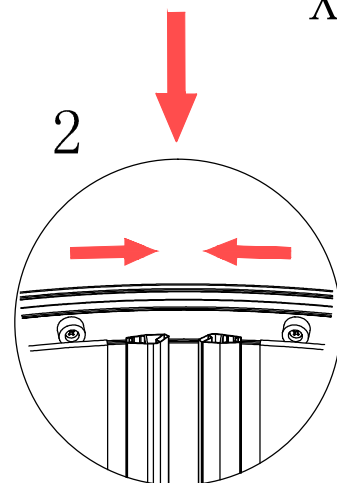
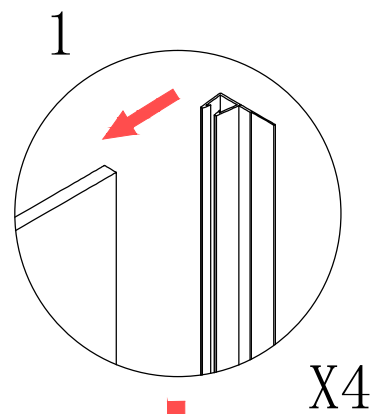
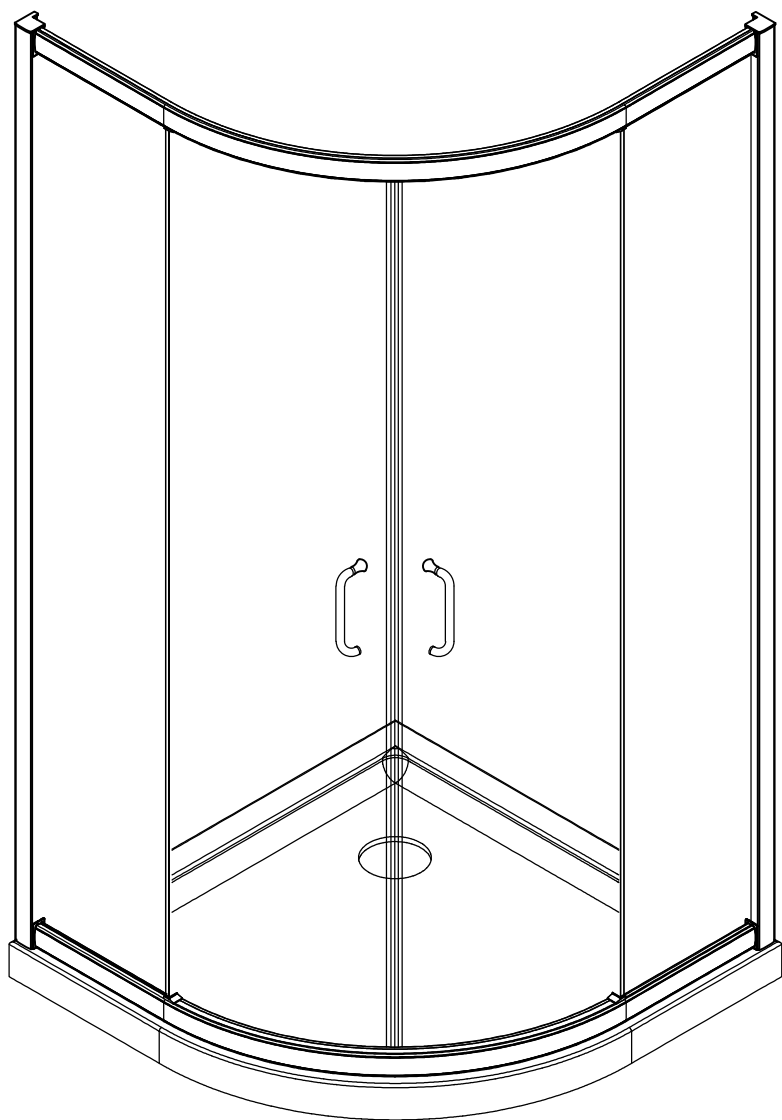
L/RX2



Step 3



Step 4



Step5

DO NOT USE THE ENCLOSURE FOR
24 HOURS AFTER SEALING

