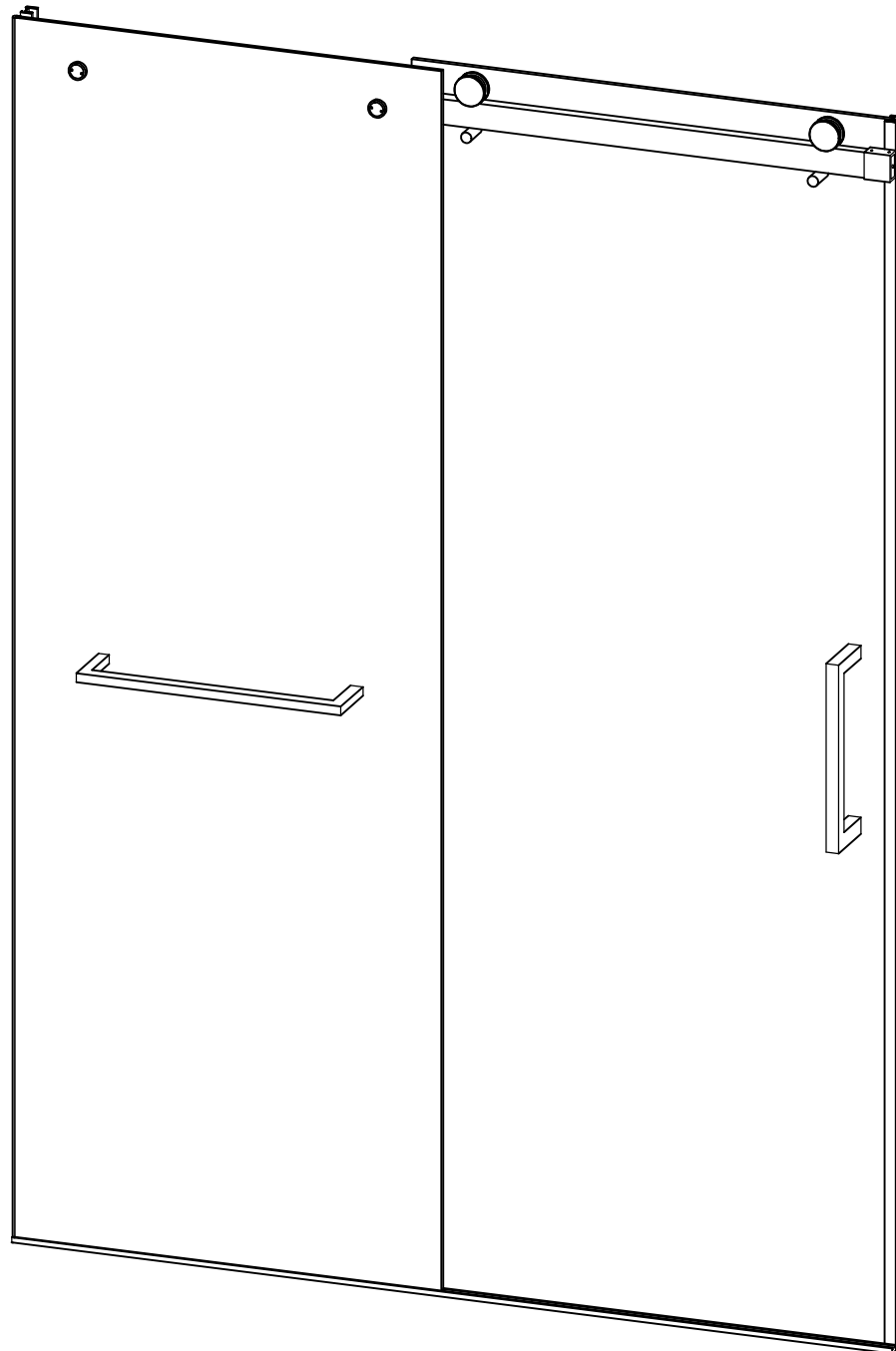
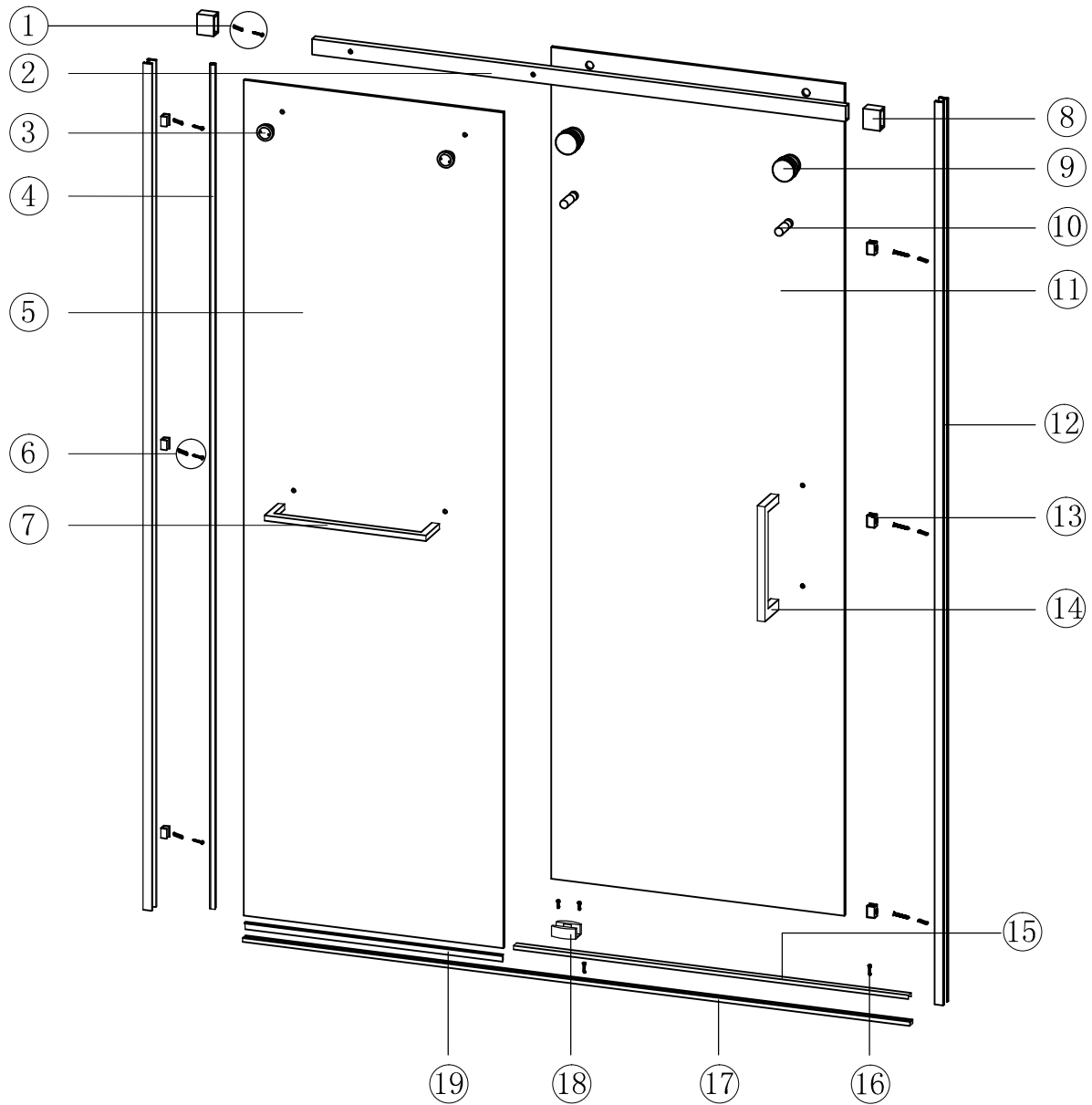


Installation Manual

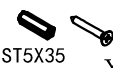

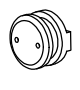

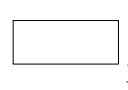
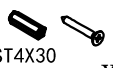

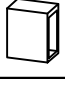
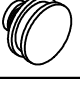

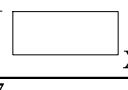

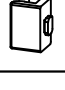
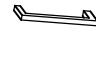





Sapphire (LP-209)



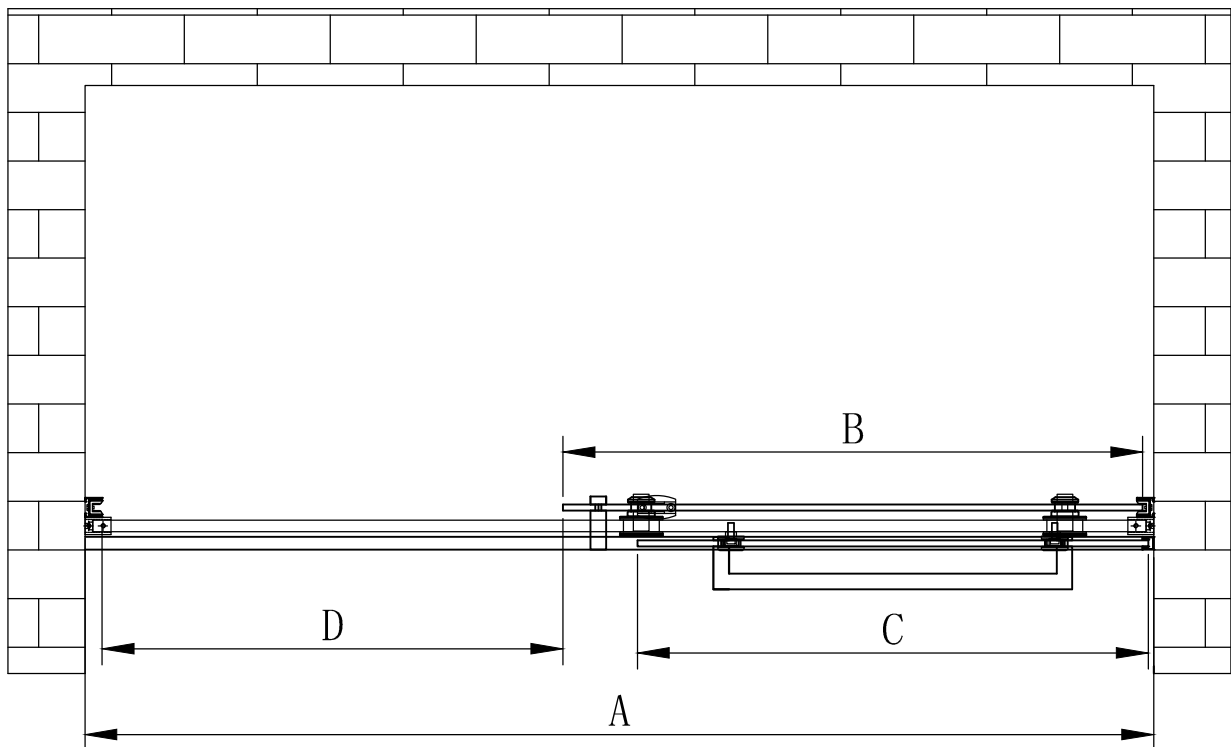
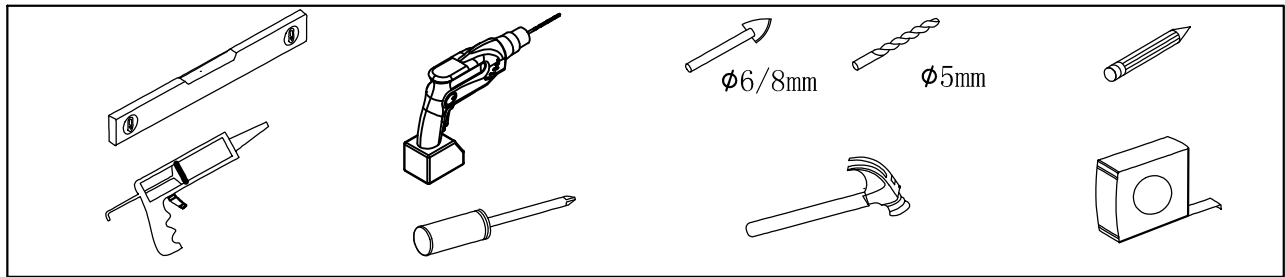
Exploded Diagram



Parts List

1	 ST5X35 x2	2	 x1	3	 x2	4	 x1	5	 x1	6	 ST4X30 x6
7	 x1	8	 x2	9	 x2	10	 x2	11	 x1	12	 x2
13	 x6	14	 x1	15	 x1	16	 ST4x20 x2	17	 x1	18	 x1
19	 x1										

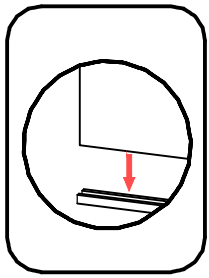
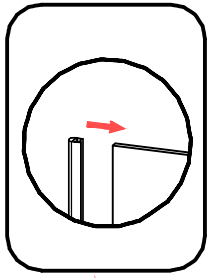
Tools Required



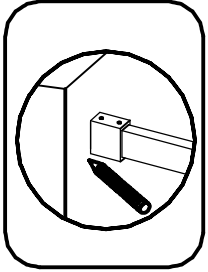
Dimension	Size A	Door B	Door C	Opening space D
48" x 76"	48"	26"	23"	20 1/2"
54" x 76"	54"	29"	26"	23 1/2"
60" x 76"	60"	32"	29"	26 1/2"
60" x 58"	60"	32"	29"	26 1/2"
60" x 62"	60"	32"	29"	26 1/2"
66" x 76"	66"	35"	32"	29 1/2"

Step 1

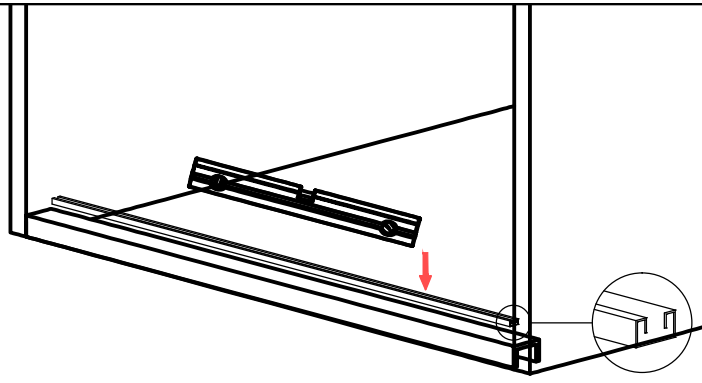
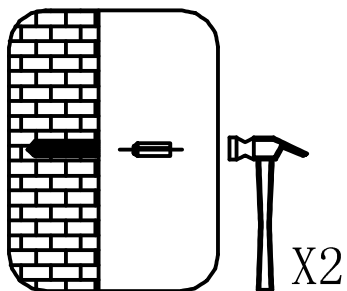
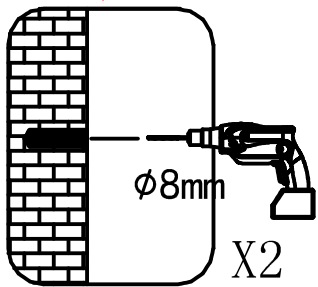
Step 2



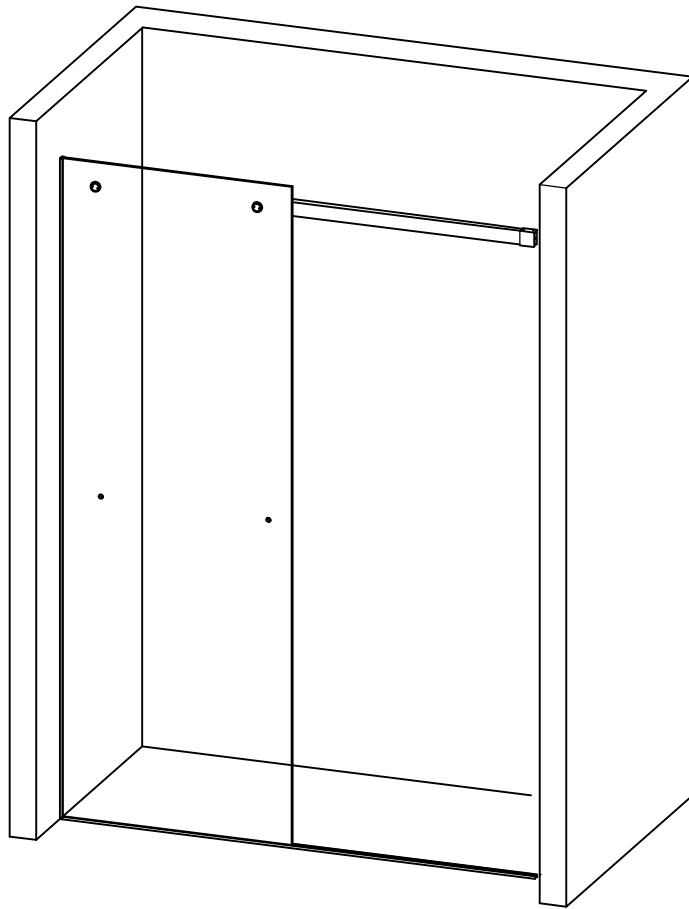
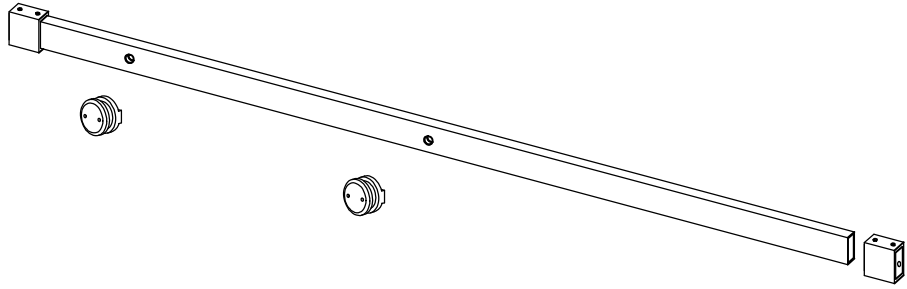
Step 4



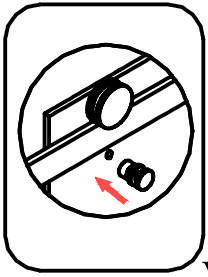
L/RX2



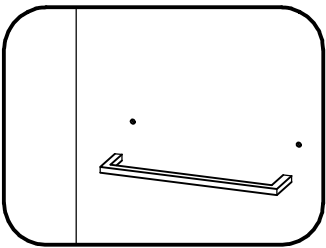
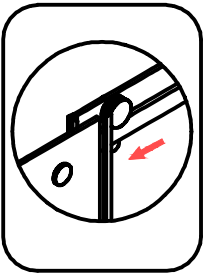
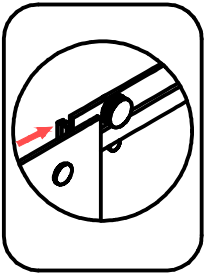
Step 3



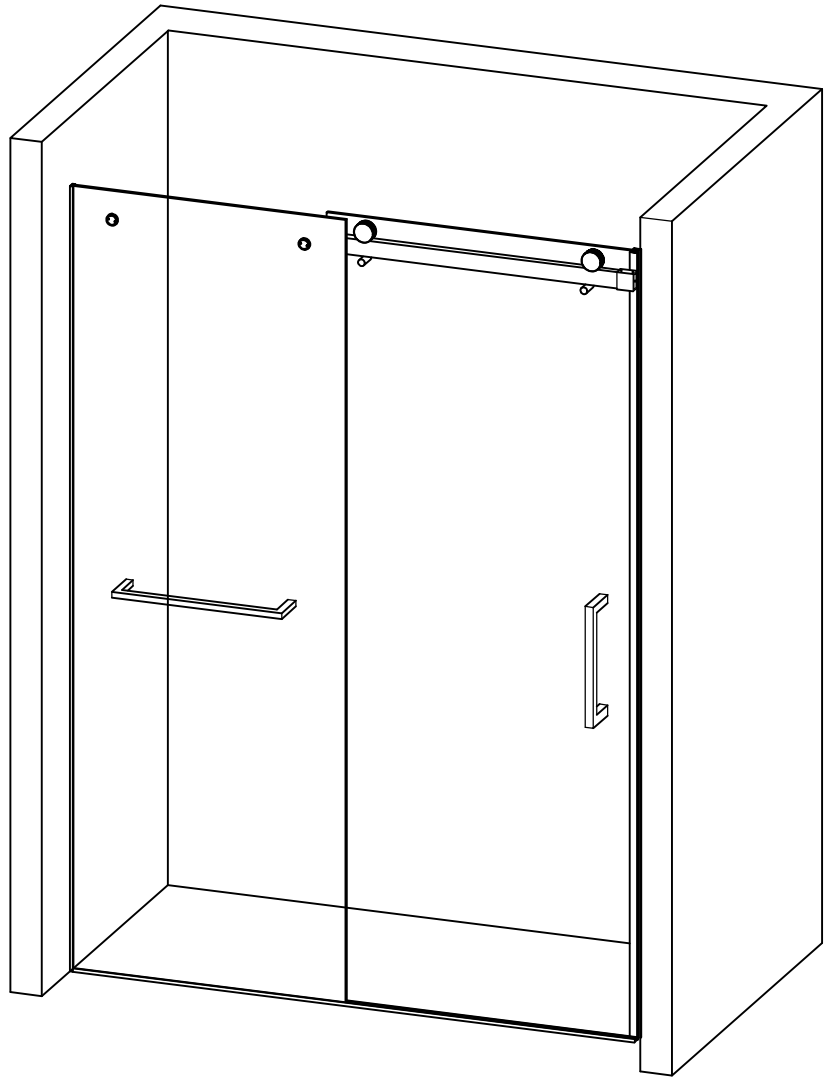
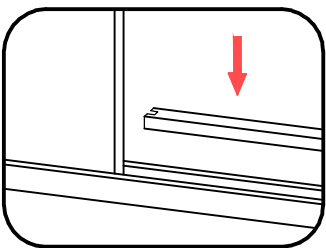
Step 5



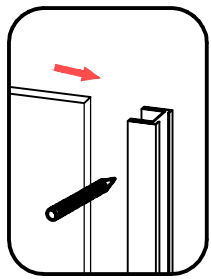
X2



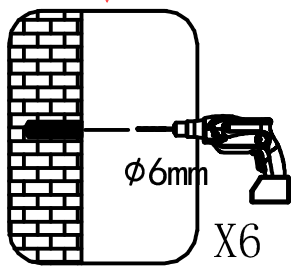
X2



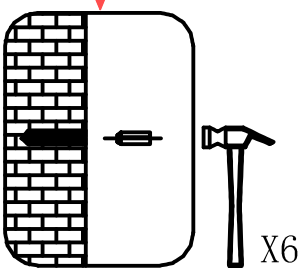
Step 6



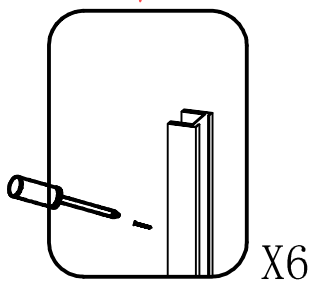
L/RX2



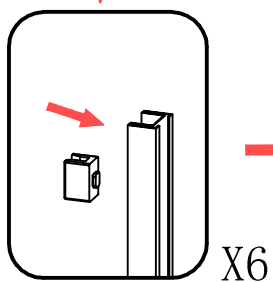
X6



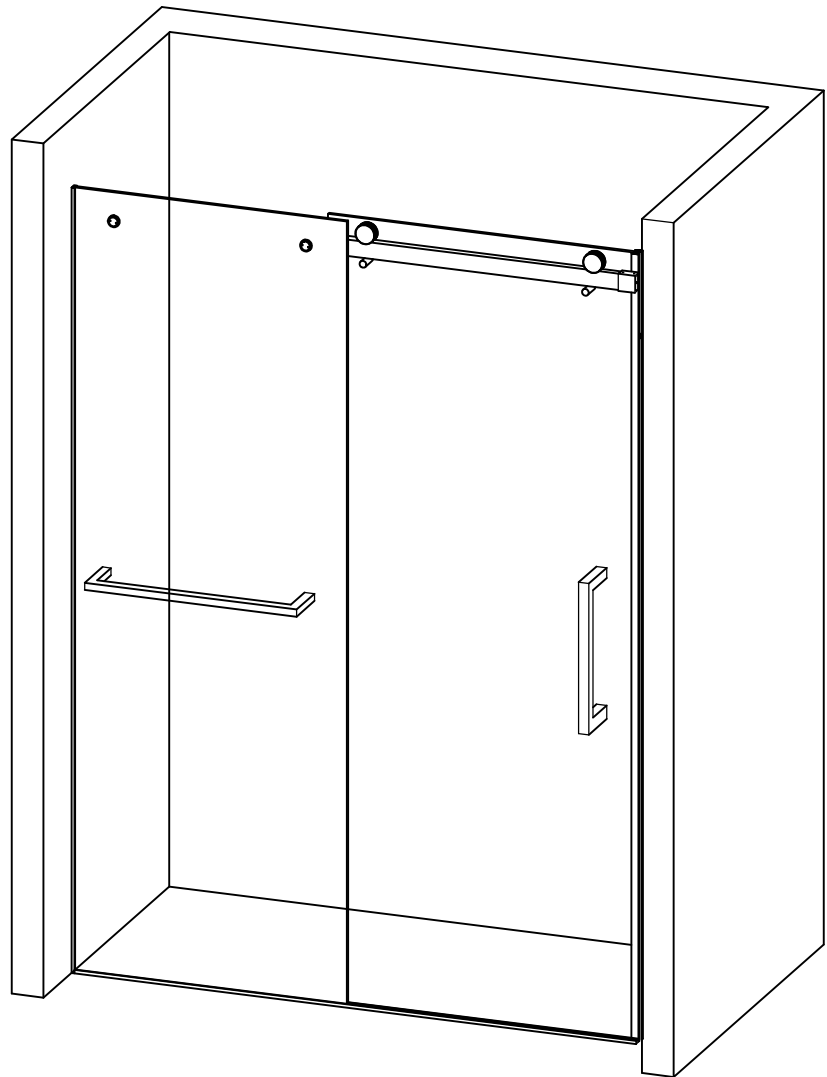
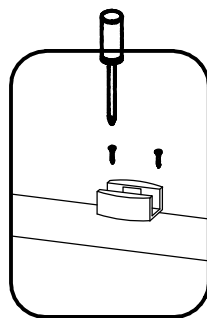
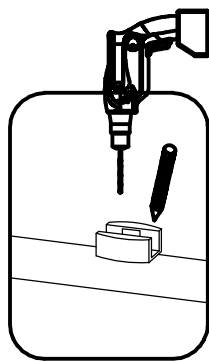
X6



X6



X6



Step 7

DO NOT USE THE ENCLOSURE FOR
24 HOURS AFTER SEALING

