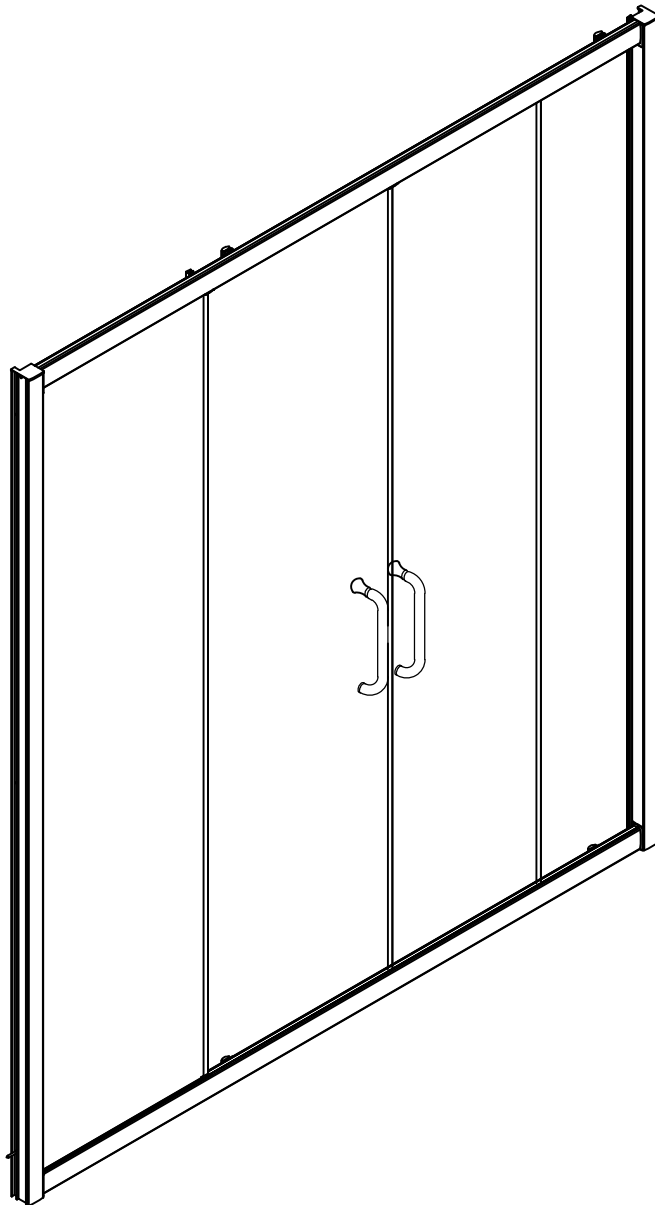
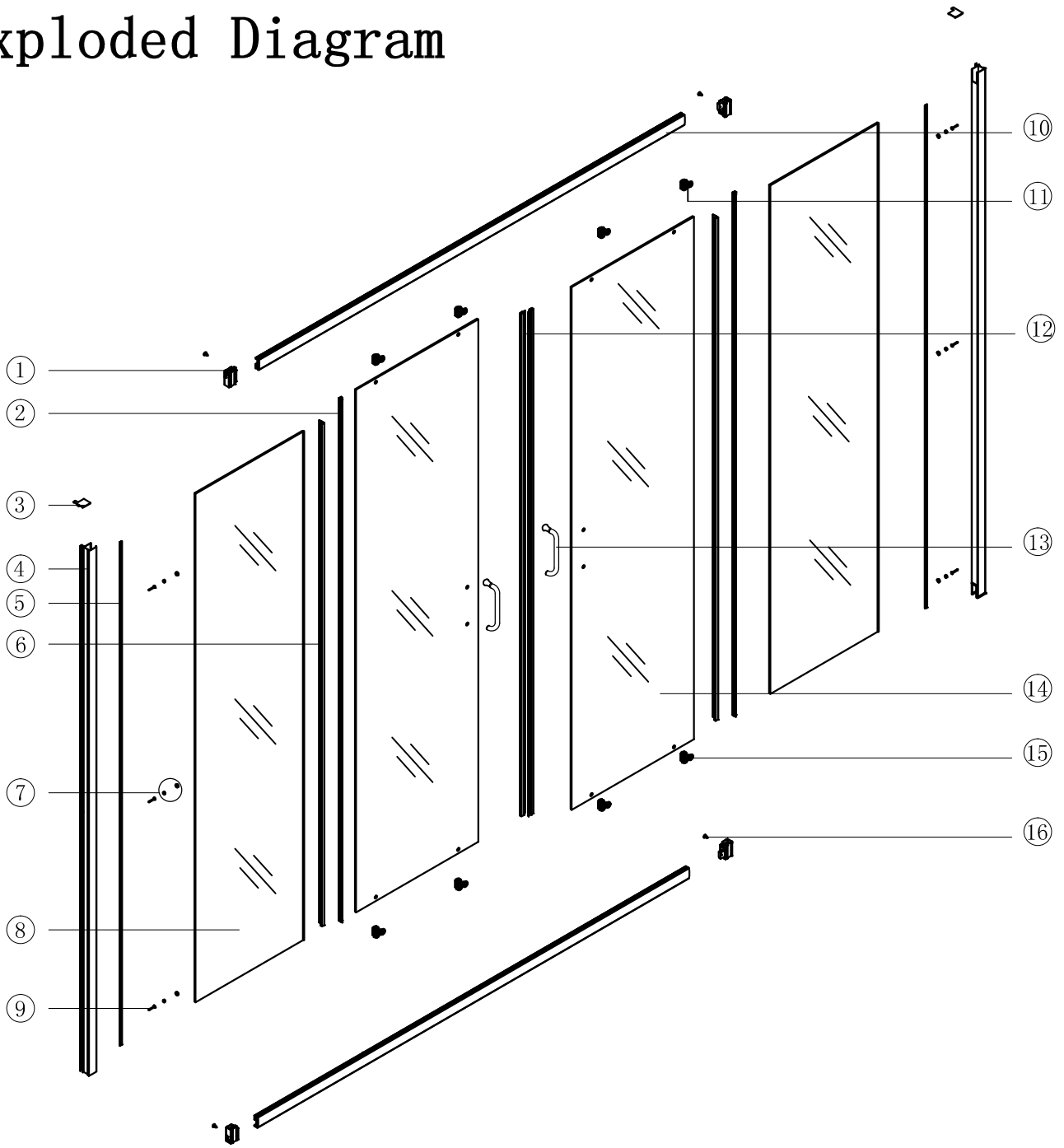


Installation Manual








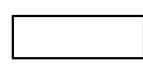
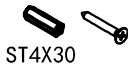


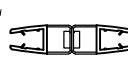

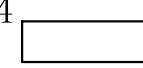

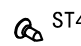
Ultra (MP-409)



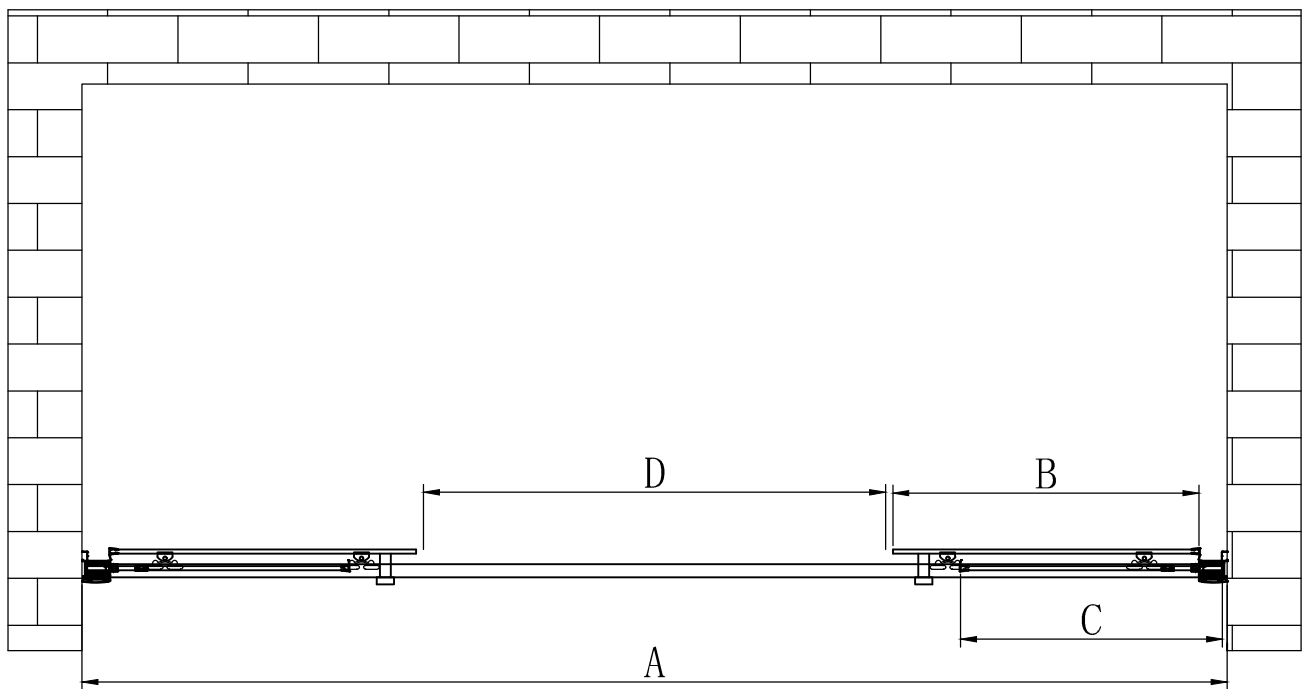
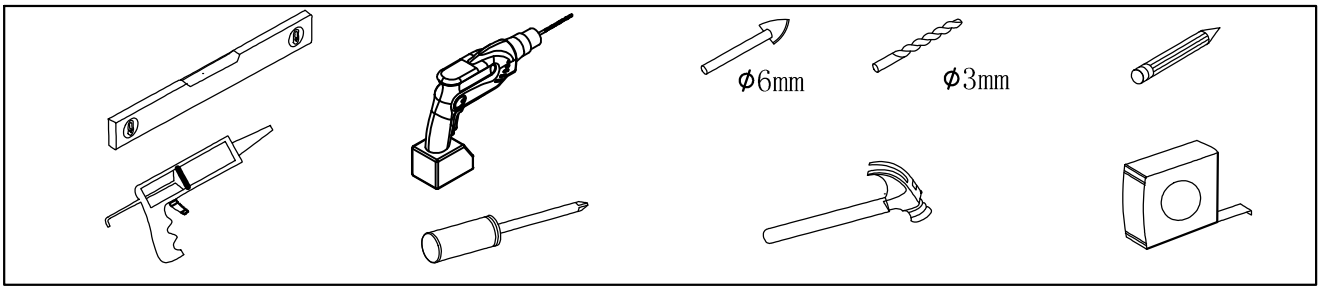
Exploded Diagram



Parts List

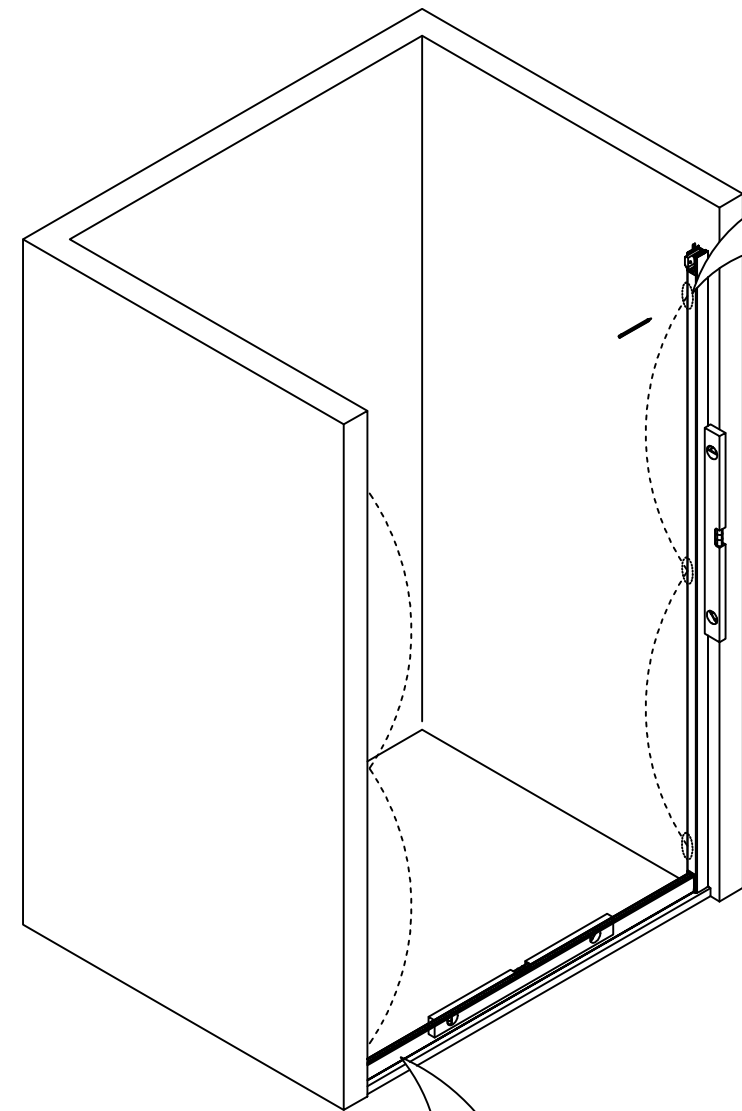
1	 Up Down x4	2	 x2	3	 x2	4	 x2	5	 x2	6	 x2
7	 x10	8	 x1	9	 ST4X30 x6	10	 x2	11	 x4	12	 x1
13	 x2	14	 x1	15	 x4	16	 ST4X8 x8				

Tools Required

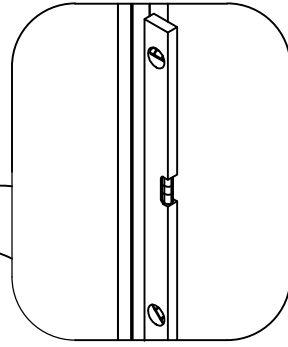


Dimension	Size A	Door B	Door C	Opening space D
60" x 74"	60"	16"	13 1/2"	23 1/2"
66" x 74"	66"	17 1/2"	15"	26 1/2"

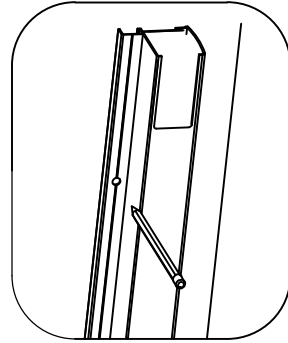
Step 1



2



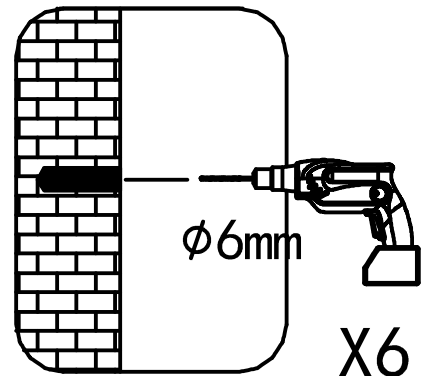
3



X6



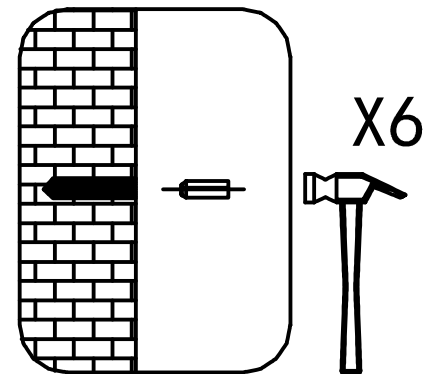
4



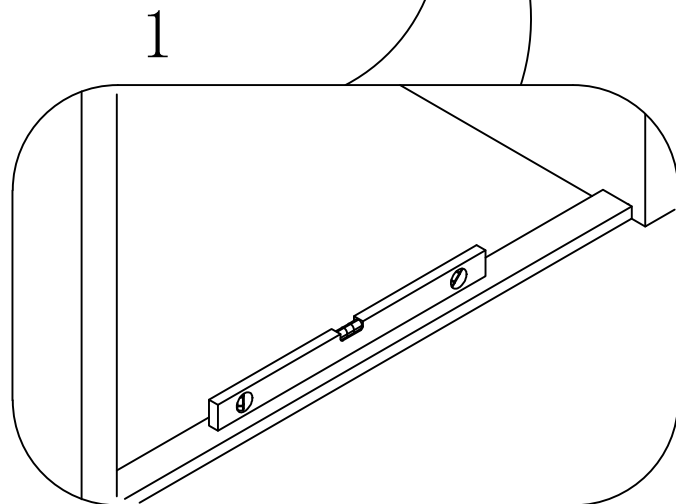
X6



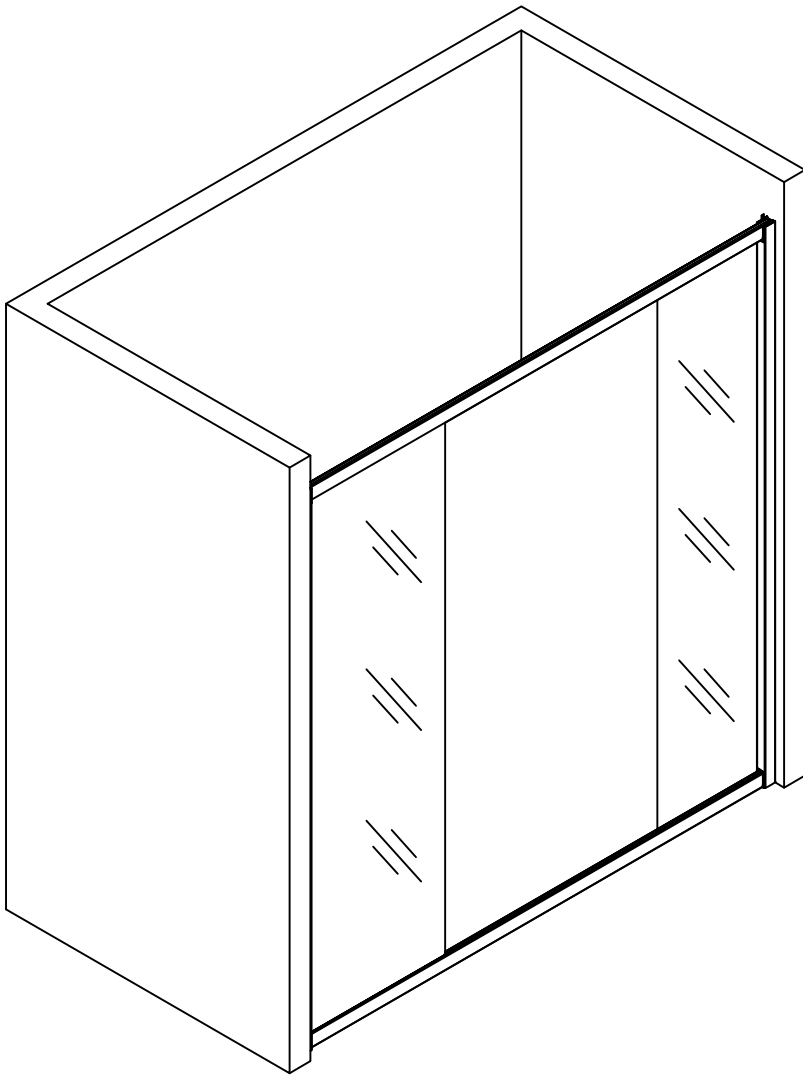
5



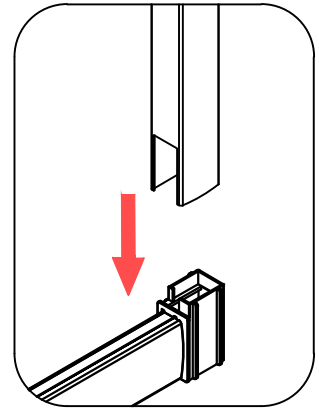
X6



Step 2

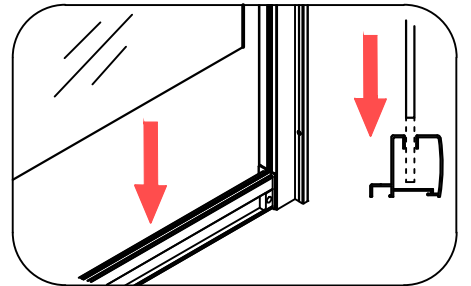


1

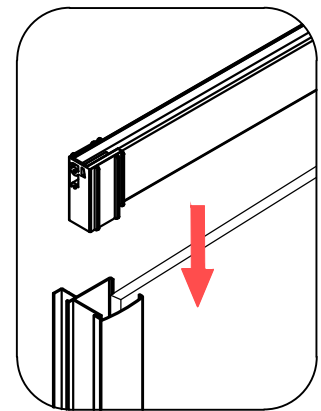


L/RX2

2

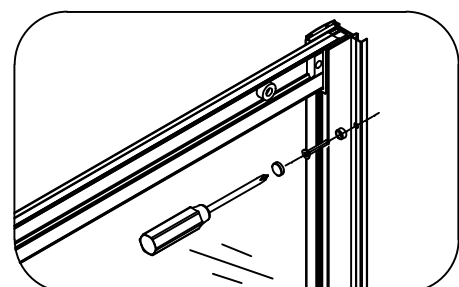


3

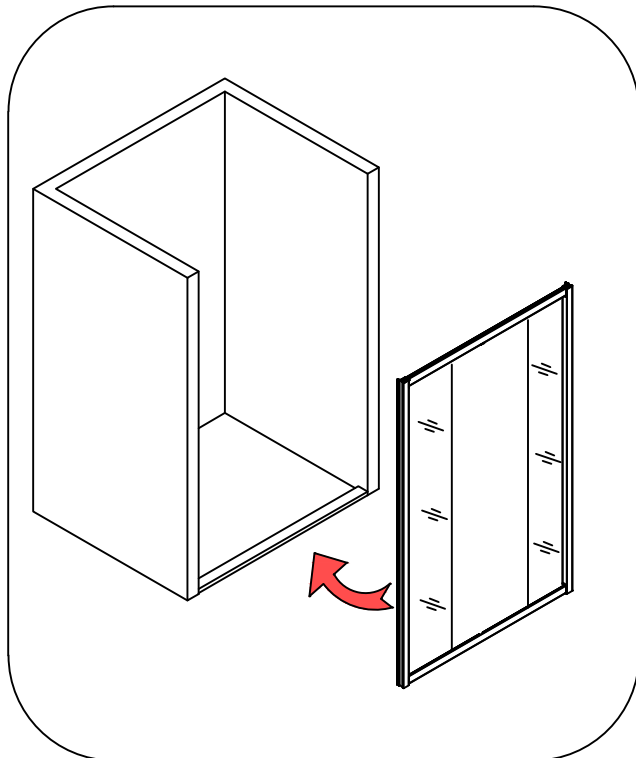


L/RX2

4



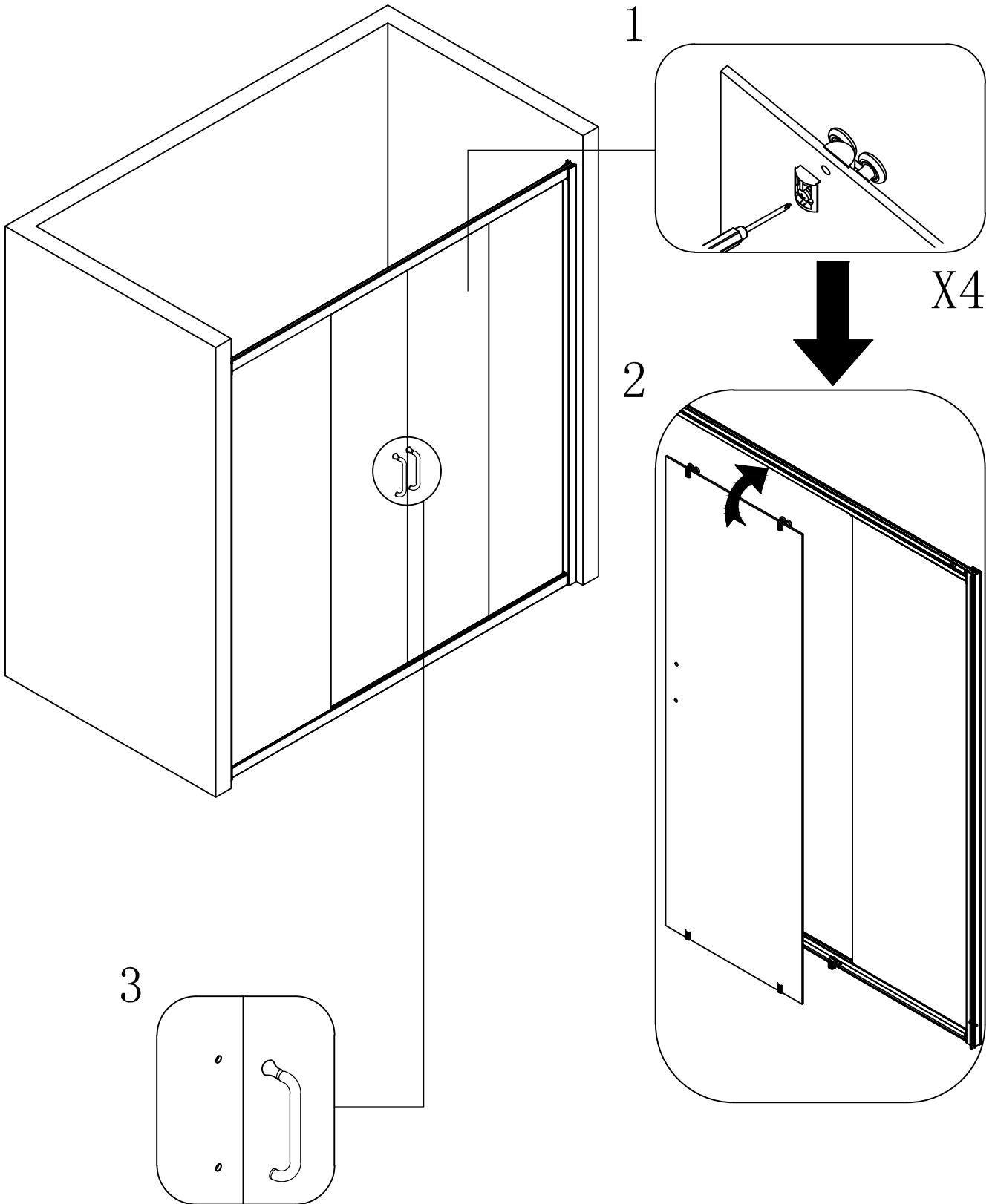
4/7



5

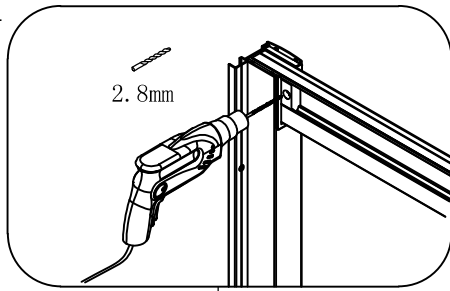


Step3



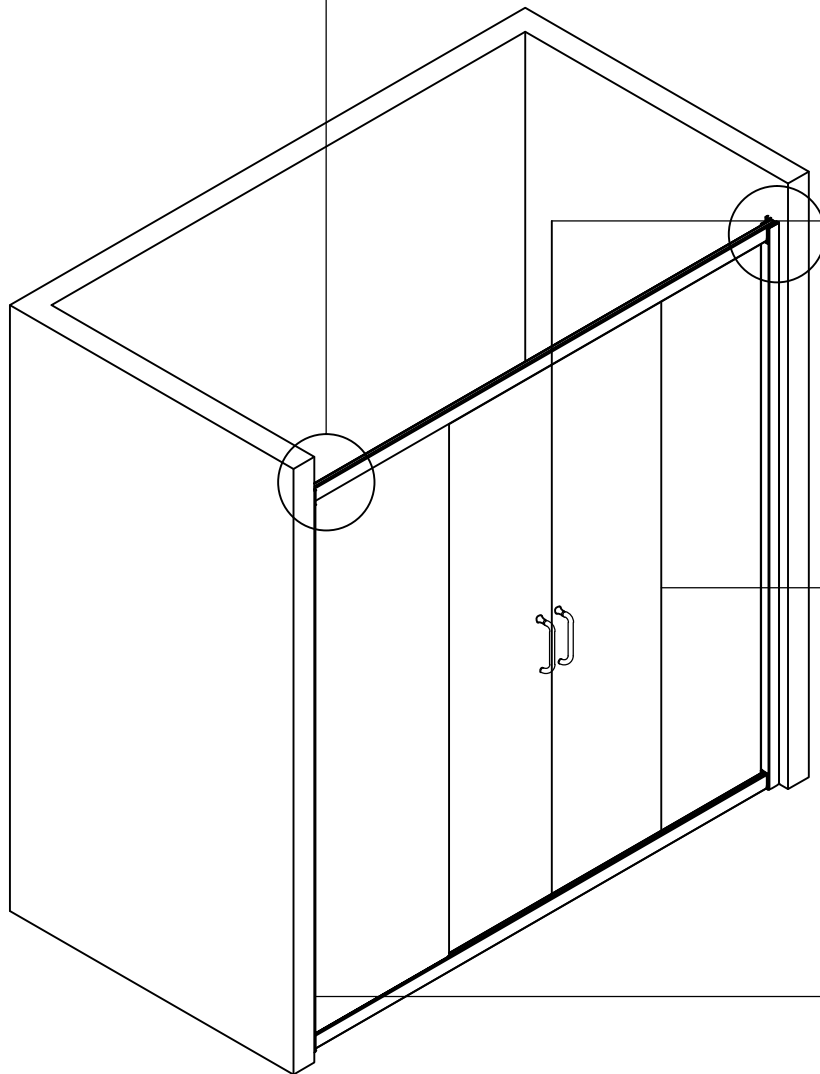
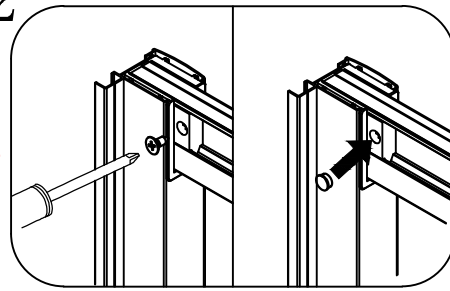
Step4

1

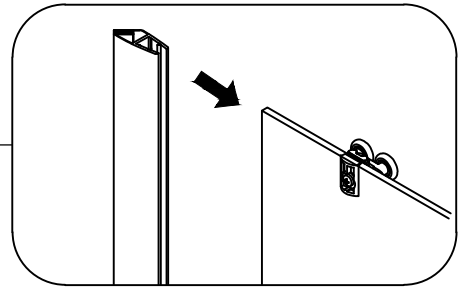


X4

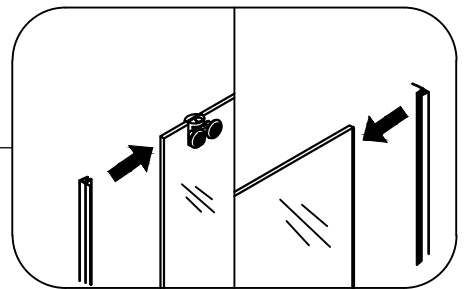
2



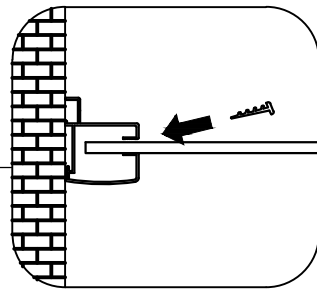
3



4



5



Step5

DO NOT USE THE ENCLOSURE FOR
24 HOURS AFTER SEALING

