



# OmniMax™

The LED Replacement lamp that doesn't compromise



Unique Design



Beautiful Light



Easy Installation



OmniMax™

## Rethinking LED in Every Direction

OmniMax is a compact, omni-directional LED replacement lamp for Acorn, Post Top, Pendant and other decorative and architectural outdoor light fixtures. OmniMax enables you to seamlessly transition to LED technology while maintaining the light quality of your existing fixture. Like all Evluma products, OmniMax is engineered to last and **backed by a 10 year comprehensive warranty.**

### The Best Overall Value in LED Replacements

Cost	Efficiency	Reliability
Less than ½ the price of many OEM retrofits	Less than ⅓ the energy of a 100W HPS (vs 40W OM)	10 year warranty

### Product Configurations

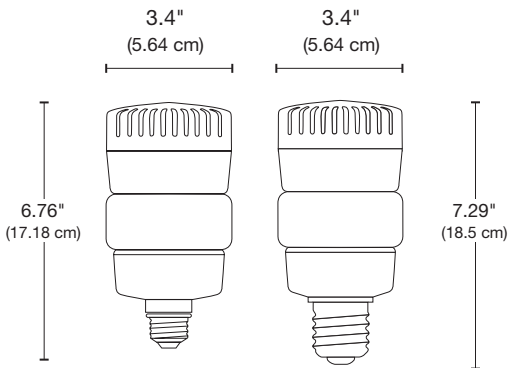
- + 40W, 70W & 100W
- + Replaces 70-175W HID Bulbs
- + 5000K, 4000K, 3000K, 2700K, 2200K & 2000K CCT
- + E26 or E39 base



2000K OmniMax replicates the warm glow of HPS but with the visual clarity and quality of LED



All the benefits of LED, without sacrificing the light you love



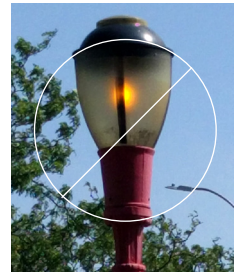
### Compact Size

OmniMax emulates the HID bulbs it replaces. It installs easily in any fixture and uses the luminaire's optics as they were designed.



### Omnidirectional Light Engine

The 96 radially mounted LEDs at the OmniMax's burn center provide light that is consistent, adjustable, and pleasant.



### Photocontrol Failsafe™

Say goodnight to "dayburners," and never roll another truck to replace a failed photocontrol.



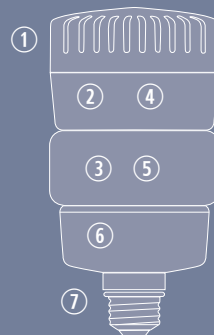
### ConnectLED™

Walk-by programming via Windows PC, iOS or Android device using secure, BLE technology.



## Features

- ① Brushless fan with > 90,000 hr life
- ② Thermal protection circuitry
- ③ Molded silicone, matte-finish optics
- ④ 20kV/10kA surge protection
- ⑤ 96 radially mounted LEDs
- ⑥ Photocontrol Failsafe™
- ⑦ E26 or E39 Base



## Fits Any Luminaire





Residential Lighting

Transit Lighting

Park Lighting

## Ordering Information Sample Number: OMNI-70-3K-MO

Product Family	Watts (nom)	CCT	Base	Option	CRI	Source Lumens	LED mA	Lm/W
<b>40W LED</b> (Recommended to replace up to 100W HPS / 150W MH)								
OMNI	40	2K = 2000K 22 = 2200K 27 = 2700K 3K = 3000K 4K = 4000K 5K = 5000K	ME=Medium  MO=Mogul	STD = Standard  Standard ships without Bluetooth or Photocontrol Failsafe built-in.	>80	>3800 >4200 >5300 >5400 >5600 >5700	60 mA	>93 >97 >135 >138 >143 >145
<b>70W LED</b> (Recommended to replace up to 150W HPS / 175W MH)								
OMNI	70	2K = 2000K 22 = 2200K 27 = 2700K 3K = 3000K 4K = 4000K 5K = 5000K	ME=Medium  MO=Mogul	STD = Standard  Standard ships without Bluetooth or Photocontrol Failsafe built-in.	>80	>5900 >6600 >8500 >8700 >9000 >9100	105 mA	>87 >92 >122 >125 >130 >132
<b>100W LED</b> (Recommended to replace up to 150W HPS / 175W MH)								
OMNI	100	2K = 2000K 22 = 2200K 27 = 2700K 3K = 3000K 4K = 4000K 5K = 5000K	ME=Medium  MO=Mogul	STD = Standard  Standard ships without Bluetooth or Photocontrol Failsafe built-in.	>80	>7675 >8125 >10650 >11225 >11650 >11800	138 mA	>75 >80 >108 >110 >115 >115



Only select MO base models are qualified by The DesignLights Consortium [www.designlights.org/search/](http://www.designlights.org/search/)

## Technical Specs

### Certification Data

UL 1598/8750 & UL1598C MET  
ANSI C136.31 3G Level 2  
Vibration Bridge/Overpass

### Electrical

120-277 VAC 60hz

Evluma Proprietary Class II Driver  
20kV/10kA Category High C surge protection  
IEEE/ ANSI C62.41.2 - 2002  
100W tested to IEEE/ANSI C136.2:2018

Power Factor >99% at 120 VAC  
THD <19% at 120 VAC  
Power Factor >95% at 277 VAC  
THD <11% at 277 VAC

### Lumen Maintenance

L70 (10,000) > 60,000  
LM at 10,000 hours = 97%  
LM at 100,000 hours = 80%  
L70 (TM-21) > 100,000

-40°C Min Ambient Temp (Outside Fixture)  
40°C Max Ambient Temp (Outside Fixture)

## Evluma makes one thing: Utility-grade outdoor LED lighting solutions

From heat management, to light quality, to integrated controls, we've been solving the biggest challenges in LED for over 2 decades. We help cities, municipalities and utility providers evolve their lighting infrastructure to meet needs of tomorrow.



3600 Lind Avenue SW Suite 140  
Renton WA 98057  
425-336-5800  
[www.evluma.com](http://www.evluma.com)