



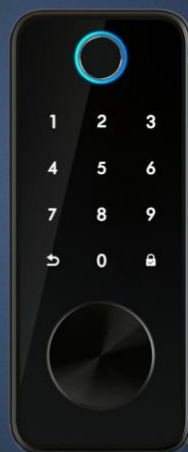
SmartH



Hello, Smart Home



SmartH Smart lock





SMARTH

– Home Automation –

WELCOME TO SMARTH

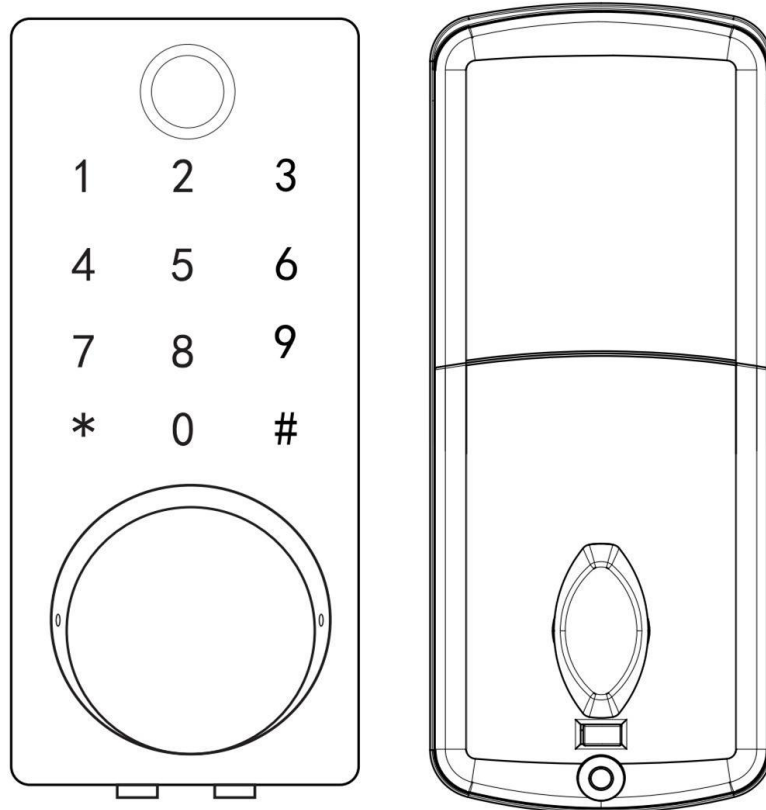
Welcome to the Smarth Family!

Great choice picking up the Smarth SMART DOOR LOCK – It's one of our favorite products in the Smarth lineup. The information contained in this brochure explains the features and operation of the SMARTH DOOR LOCK. Please take a few moments to read this manual.

We are excited for you to start enjoying it!



USER MANUAL



Note:

1. This lock is equipped with mechanical keys for manual unlocking. Remove mechanical keys from the package and keep them in a safe place and always have access to them.
2. To power on the lock, four alkaline AA batteries(not included) are required. Non-alkaline and rechargeable batteries ARE NOT RECOMMENDED.
3. This lock is not designed to be exposed to direct sunlight or rain. It is not waterproof IP rated.
4. The operation of setting lock has a stand-by time limit of 10 seconds; Without any activity, lock will shut after 10 seconds.
5. Keep your fingers clean when using this lock.

Features

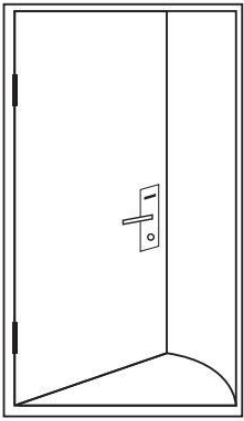
- **Accessing** - Five ways to access the lock: App access, Fingerprint, Password, Card & Mechanical key.
- **Safety** - There are multiple safety mechanisms within the lock.
 - a) Auto-Lock: You can set an Auto-Lock time. The lock will lock automatically by the Auto-Lock time you set after unlocking.
 - b) Keypad Locked: After 5 failed password attempts, the keypad will shut down for 3 minutes before being able to attempt the password again. Mechanical key can be used to unlock in this state.
- **Randomizer** - Before you enter your password, you can push some random numbers to prevent the password from being inferred based on the finger on the frequently pushed numbers and from being seen by anyone nearby.
- **Emergency Power Supply** - Emergency power supply interface equipped on the front bottom side of the smart lock: to unlock the door temporarily by connecting to the emergency power supply interface with a 9V backup battery.
- **Real Time Record** - You can check unlock records in real time in your App.

Door Preparation

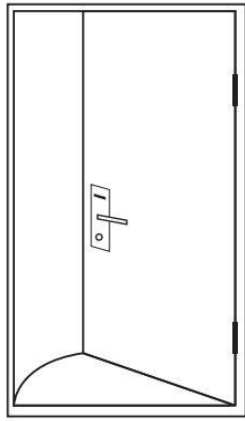
1. Check door thickness and Door Frame.

- Door frame $\geq 110\text{mm}$
- Door thickness: 38-48mm

2. Check door open direction.

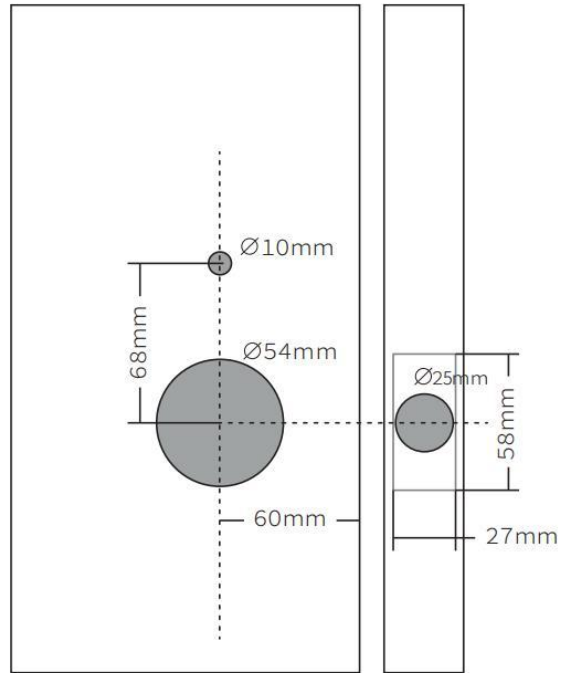


Left open



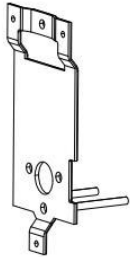

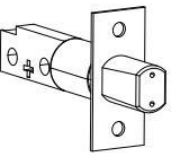

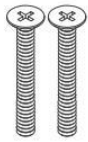


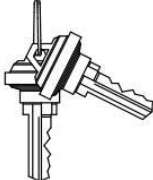
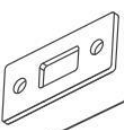



Right open

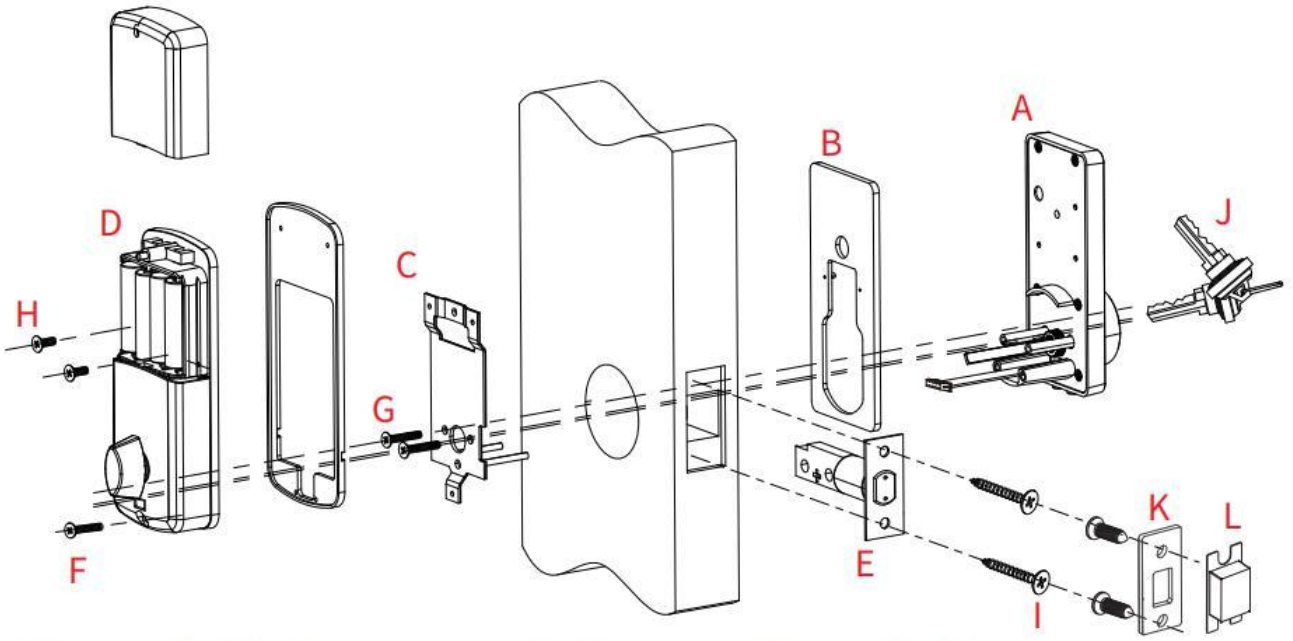
Door drill hole map



Packing List

<p>A</p> 	<p>B</p> 	<p>C</p> 	<p>D</p> 	<p>E</p> 	
<p>F</p>  <p>25mm</p>	<p>G</p>  <p>30mm</p>	<p>H</p>  <p>10mm</p>	<p>I</p>  <p>25mm</p>	<p>J</p> 	<p>K</p>  <p>L</p> 

Installation Diagram

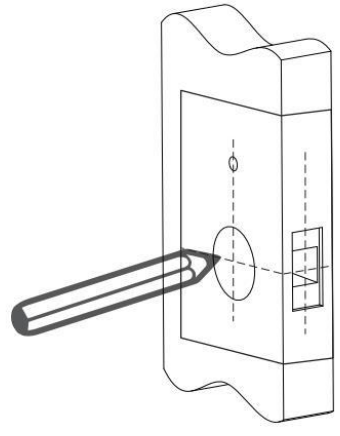


- A) Outdoor lock body * 1
- B) Silicon gasket * 1
- C) Mounting plate * 1
- D) Indoor lock body * 1
- E) Deadbolt * 1
- F) M4 x 25mm cross flat head bolt * 1
- G) M4 x 30mm cross flat head bolt * 2
- H) M4 x 10mm cross flat head bolt * 2
- I) M4 x 25mm cross flat head self-tapping screw * 4
- J) Mechanical key * 2
- K) Strike plate * 1
- L) Latch holding plastic box * 1

Installation Diagram

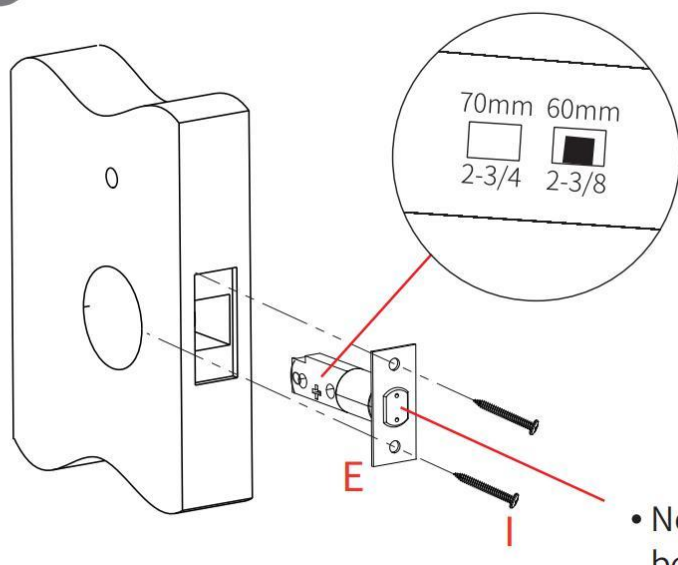
Step 1

According to the map drilling holes on the door.



- Note:
 - 1) Check the required backset (60mm or 70mm).
 - 2) Align the template along the vertical center line of the deadbolt(E) at the desired height, and tape it to the door.
 - 3) Mark the holes first, then start drilling.

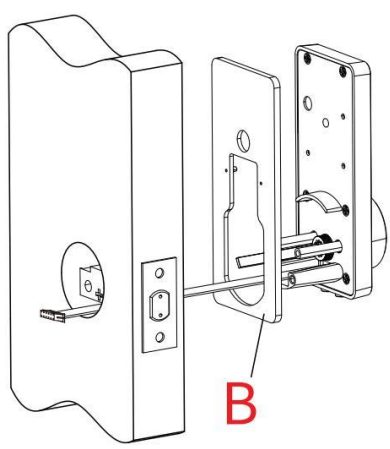
Step 2 Install the deadbolt (E) with screws (I) on the door.



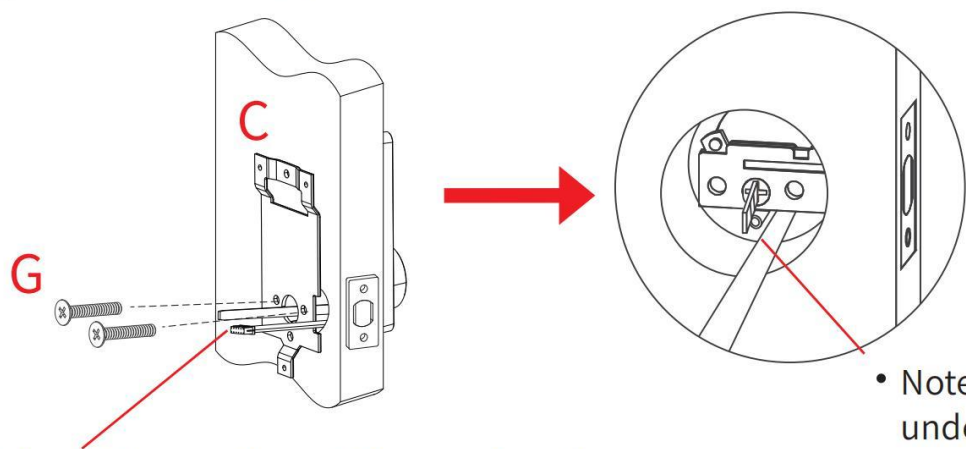
• Note:
The deadbolt has TWO backset options: 70mm or 60mm, please adjust it by yourself.

• Note: DO NOT Push the latch out before installation.

Step 3 Install outdoor unit(A) with gasket(B) on outdoor unit(A).



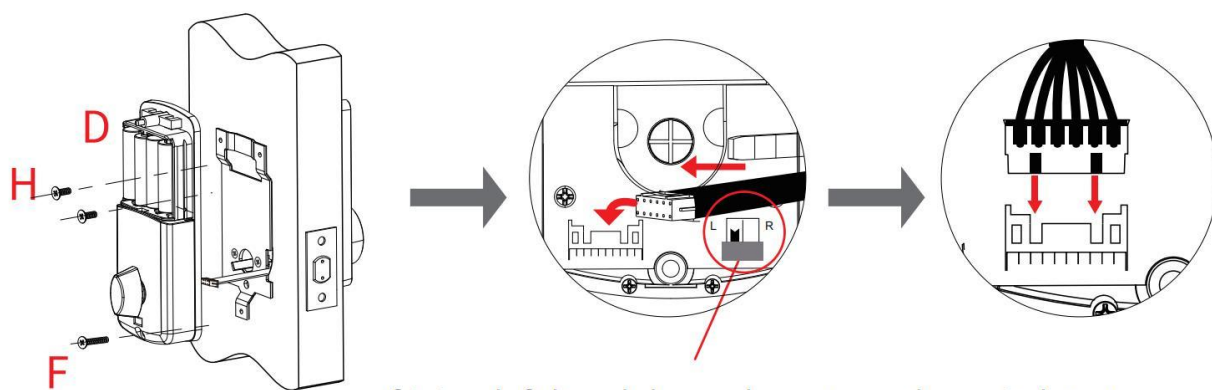
Step 4 Install mounting plate (C) with M4 cross flat head bolt (G) on the door.



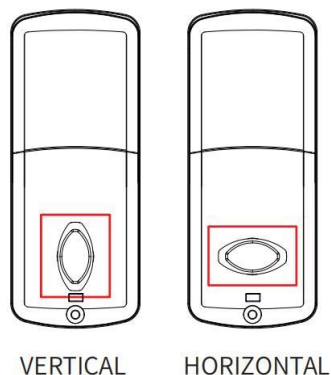
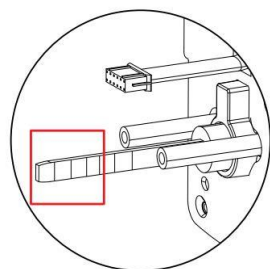
• Note: The cable goes through the notch on the lower right part of the mounting plate at first.

• Note: Cable goes underneath deadbolt.

Step 5 Install indoor unit(D) with M4 cross flat head bolts(H, F) on the door.

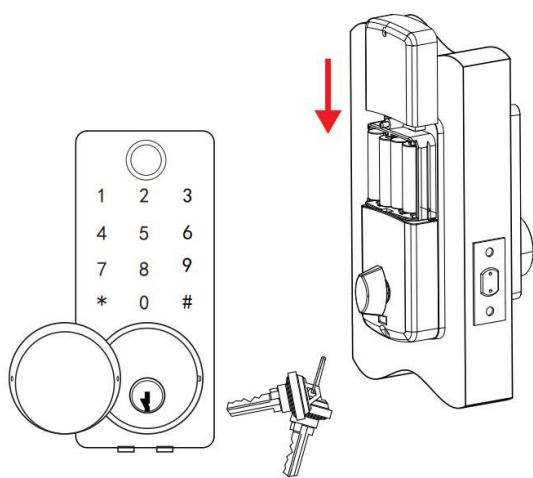


- If it is a left hand door, please turn the switch to L.
If it is a right hand door, please turn the switch to R.



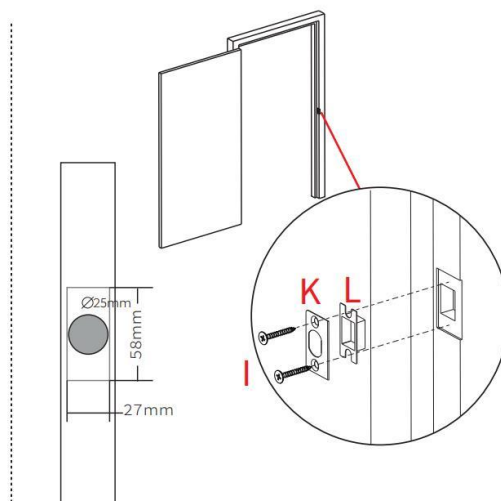
- Note:(1) If it's a RIGHT opening door lock, pls put the lock spindle VERTICALLY into the hole connected to the knob at the indoor unit of the lock, and the rotating part of the knob should also be turned to VERTICAL position.
(2) If it's a LEFT opening door lock, pls put the lock spindle VERTICALLY into the hole connected to the knob at the indoor unit of the lock, but the rotating part of the knob should be turned to HORIZONTAL position.

Step 6 Install 4 pieces AA Alkaline batteries.



- Testing the lock by rotating the knob on unit D and using mechanical key(J).

Step 7 Mark and drill holes for strike.



Smart Lock User Manual (WiFi)

Awake the lock pad



press **"1"+"#"**

Please verify the administrator



Please enter the administrator password

Default Password (123456)



and press **#** to confirm To cancel, please press * Key

(Note:Every time you enter the setting, press "1" + "#")



1.User Management

Press **"1"** to Add manager



1. Add fingerprint, please press **"1"**
2. Add card, please press **"2"**
3. Add New password, please press **"3"**

To cancel, please press * Key



2.System settings

1. Please press **"2"** for language setting

2. Please press **"3"** for volume setting

To cancel, please press * Key



3. Automatic lock time

1. Please press "1" to turn on the automatic lock function

(Time input format: **SS**) More than ten seconds

For Example: 18

2 .Please press "2" to turn off the auto lock function

To cancel, please press * Key



4. Restore factory default settings

To confirm, please press # key

To cancel, please press * Key

To cancel, please press * Key



Install Free App

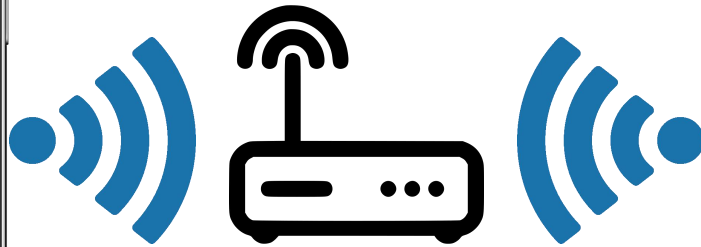
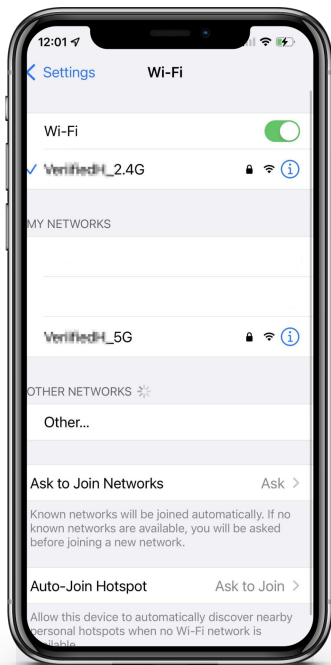
Download APP: scan the QR code below to download and install. Register and login: open the "MySmarth" APP to register and login according to the prompts.



Customer Support



1. Set Up Router



Please keep network available

2.4GHz

5GHz



The router supports the 2.4GHz WiFi (doesn't support the 5GHz), and is connected to the WiFi network. Please set the parameters of the router before connecting the WiFi network, and record the SSID and password of your WiFi.

2. Turn On Your Smartphone's Bluetooth



Turn on your smartphone's Bluetooth.

Add The Device

Awake the lock pad



press "2"+"#" "

Please verify the administrator



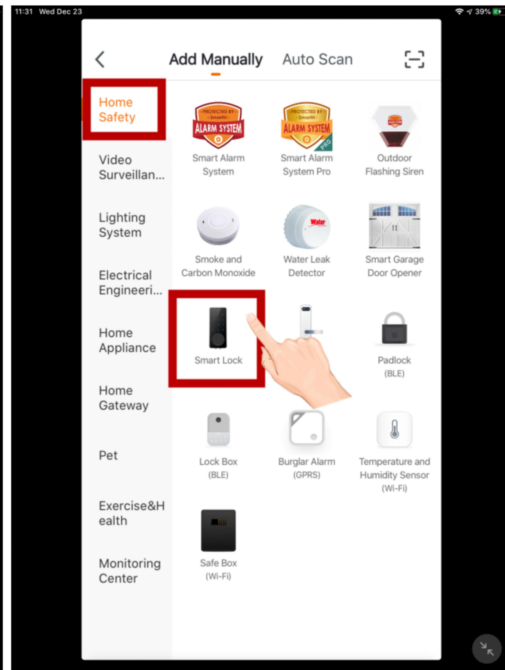
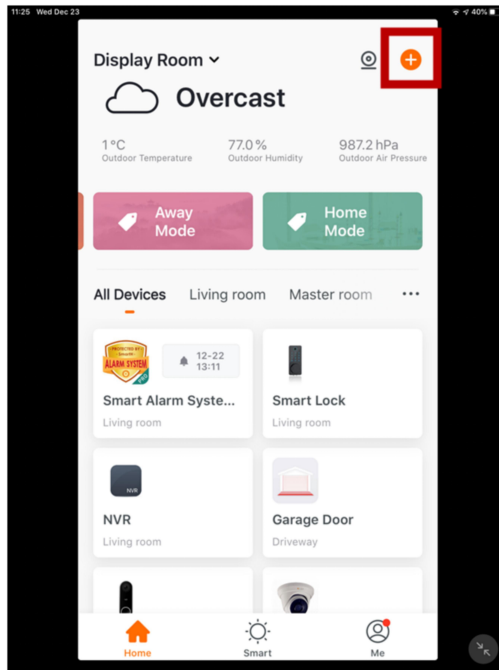
Please enter the administrator password and press # to confirm

You'll see "5" on the pad flash quickly, then you can click "confirm indicator rapidly blink" to continue adding device.



Make sure Wi-Fi is available and connected to the Internet.

-Open "MySmartH" APP, press the '+' in the upper right corner of the main screen;
-choose "Home Safety", click "Smart Lock" to add Lock; and then click "Next step";

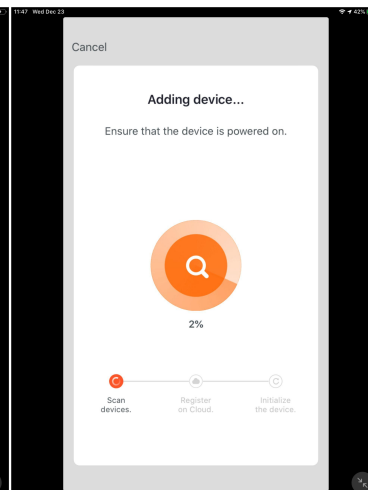
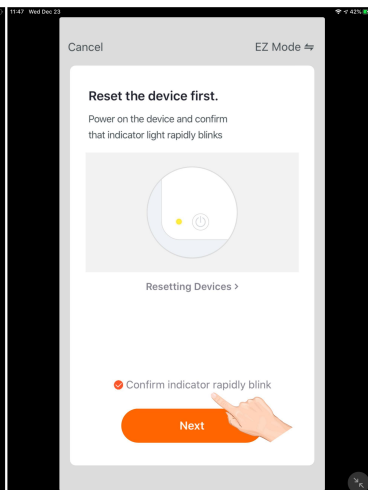
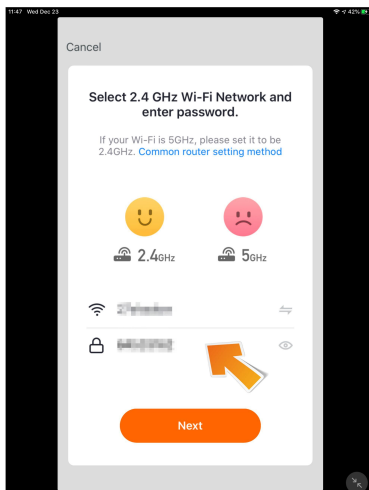


-If the mobile phone is not connected to wi-fi, please click "Connect to Wi-fi" ;

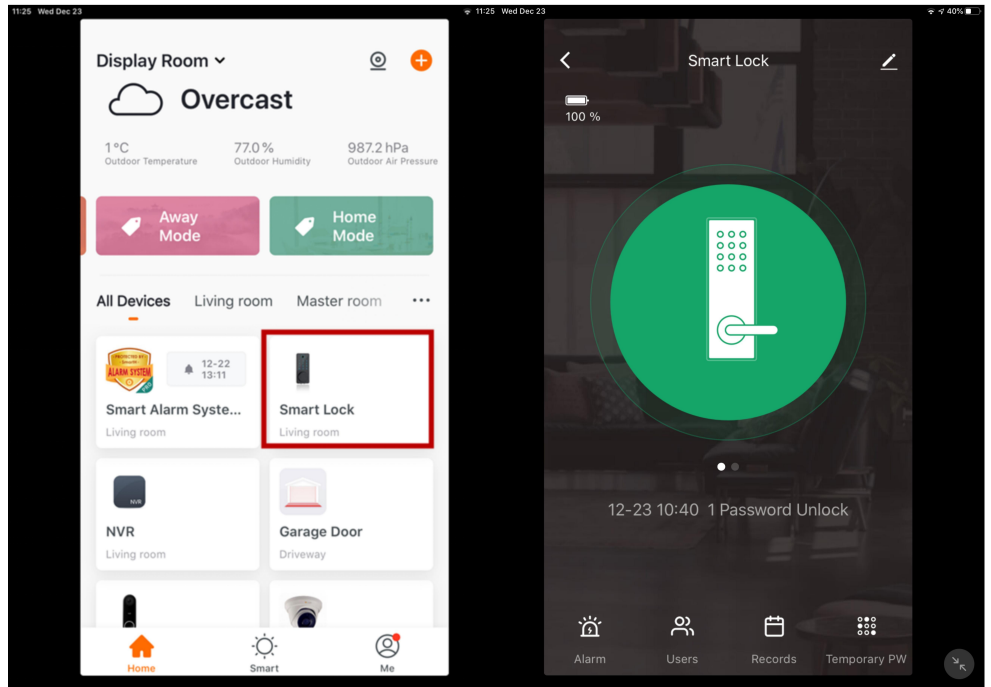
-It will jump to the WLAN interface and connects Wi-Fi. Please note that only 2.4 GH Wi-Fi network is supported;

-Enter WIFI password

-When the progress reaches 100%, connection completed, and click "Done";



At this time, the connected device will appear on the APP home page .
Then you can click directly to the device interface



Remote unlock mode

Awake the lock pad



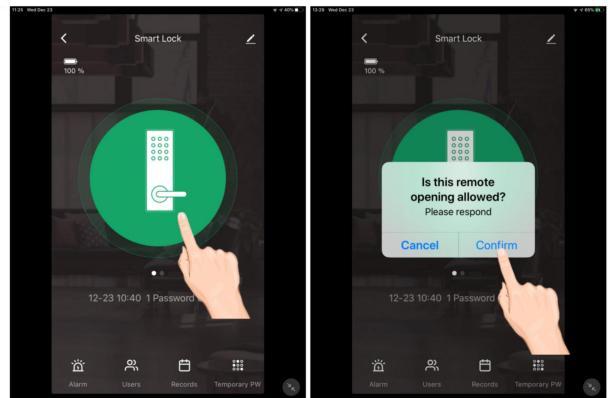
Press "4" + "#" on the lock pad
You'll see "5" on the pad flash quickly



The App will ask for your confirmation to open remote



Click "CONFIRM" to unlock



Remote unlock mode (Dynamic Password)

Click phone screen and you will get dynamic password



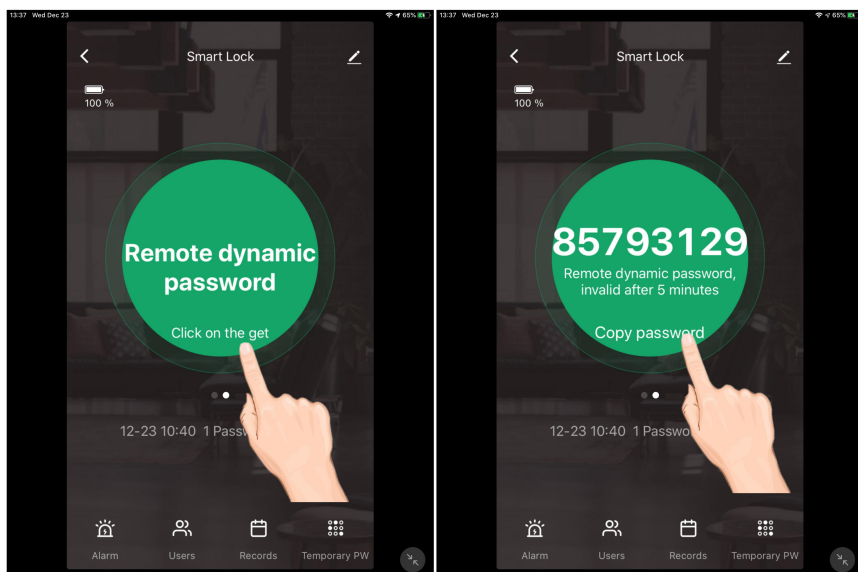
The password is automatically saved in the clipboard, directly copied and sent to the other party's mobile phone



Awake the lock pad



Enter the dynamic password and # key to unlock



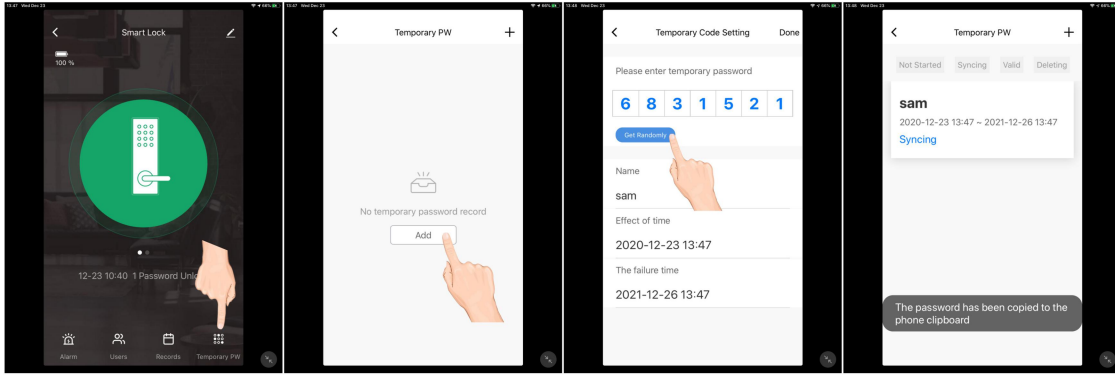
Remote unlock mode (Temporary Password)

Click on the left bottom to set
Temporary password

Click **"Add"**

Set your own Temporary
password, name of user, and
the start and dead time.

Enter the temporary password
and **"#"** key to unlock



WARRANTY

Read the following terms and conditions carefully before using the SmartH Product. By using the SmartH Product, you consent to be bound by the terms and conditions of this Limited Warranty. IF YOU DO NOT AGREE TO THE TERMS AND CONDITIONS OF THIS WARRANTY, YOU SHOULD RETURN THE PRODUCT FOR A REFUND PRIOR TO USING IT.

SMARTH ONE(1) YEAR LIMITED WARRANTY

SmartH warrants to the Purchaser that SmartH Products will be free from electronic and Mechanical defects under normal use for one (1) year from the date of purchase, as long as said Purchaser occupies the residential premises upon which the Product was originally installed ("Warranty Period"). This Electronic and Mechanical Limited Warranty applies only to Products that were purchased from SmartH or a SmartH authorized seller, unless otherwise prohibited by law. SmartH Products are legitimately sold only by authorized sellers who are required to follow SmartH policies, procedures, and quality control standards. SmartH reserves the right to reject warranty claims from purchasers for Products purchased from unauthorized sellers, including unauthorized Internet sites. If your SmartH product should prove to be defective within the warranty period, we will repair it or replace it if necessary. For warranty purposes, please keep your original receipt for the duration of the limited warranty.

Exclusions for Warranty

Conditions that are not covered by these warranties include:

- 1) Any SmartH Product which has been damaged as a result of installation contrary to any of SmartH written installation instructions is not covered by these warranties.
 - 2) Any SmartH Product which has been modified by any non-Smarth component is not covered by these warranties.
 - 3) Any SmartH product that is used in combination with knobs, trim or levers of other than those manufactured by SmartH and designated for use with the applicable locks is not covered by these warranties
 - 4) Any consumable parts, such as batteries or protective coatings, that due to their nature diminish over time, unless failure has occurred due to a defect in materials or workmanship, nor to any cosmetic damage unless failure has occurred due to a defect in materials or workmanship.
 - 5) Any SmartH Product having a defect due to use of paints, solvents, or other chemicals is not covered by these warranties.
 - 6) .Any SmartH Product having a defect caused by neglect, misuse, abuse or unreasonable or extraordinary use or maintenance, including use in a commercial application, is not covered by these warranties.
 - 7) Any SmartH Product that was purchased from an unauthorized seller is not covered by these warranties.
 - 8) ANY SOFTWARE THAT WAS DAMAGED OR NEEDS TO BE REPLACED DUE TO THE FAILURE OF THE SMARTH PRODUCT OR ANY DATA THAT IS LOST AS A RESULT OF THE FAILURE OR THE RESTORATION OF DATA OR RECORDS, OR THE REINSTALLATION OF SOFTWARE.
- These warranties are not transferable. Therefore, no transferee is covered by these warranties.

Warranty Claims

If you wish to make a warranty claim based upon a Product defect, please call us at 905-999-6660 or contact us at SUPPORT@SMARTH.CA

Please note that you will be required to provide a description of any claimed defect(s) and a dated receipt or other proof of purchase from SMARTH or the SMARTH authorized seller, to verify warranty eligibility.

Certain claimed defect(s) covered by these warranties may be resolved by SMARTH providing you with troubleshooting steps.

Other claimed defect(s) covered by these warranties may require Product replacement. Products may not be returned to SMARTH without prior authorization from SMARTH.

Remedies

For certain claimed defect(s) covered by these warranties, as determined by SMARTH, SMARTH will provide you with troubleshooting steps.

For other claimed defect(s) covered by these warranties, as determined by SMARTH, SMARTH will replace the defective Product or part.

If a SMARTH Product, which is the same as the SMARTH Product or any part covered by these warranties, has been discontinued at the time of replacement or if SMARTH determines, in its sole discretion, that such replacement is inappropriate, SMARTH reserves the right to substitute an alternative product. SMARTH also reserves the right to accept or reject an alternative product proposed as a replacement, when the value is higher than that of the Product originally purchased by the Purchaser. Except as expressly provided in these warranties to the contrary, SMARTH SHALL NOT BE OBLIGATED OR LIABLE FOR LABOR OR OTHER COSTS RELATED TO INSTALLATION, REPAIR OR REPLACEMENT OF A SMARTH PRODUCT, OR FOR LOSS OF, OR DAMAGE TO ANY MATERIAL WHICH IS NOT SOLD BY SMARTH.

For more detail Warranty Policy, please refer to <https://smarth.ca/service-agreement>

SUPPORT

If you encounter any issues, please contact us at support@smarth.ca for help.

To explore our full selections of products, visit us at WWW.Smarth.ca

Phone number :905-999-6660