

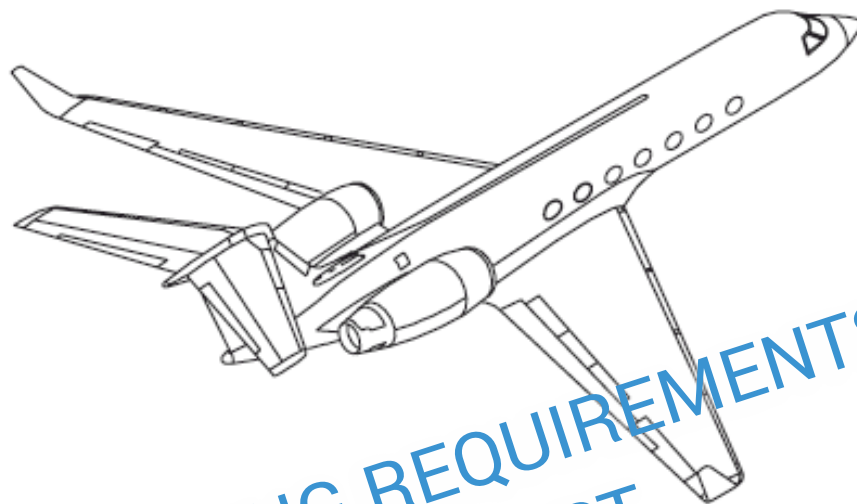
# FLIGHT OPERATIONS

## Operating Manual Supplement

Supplement Number G500-OMS-1:  
G500 Evacuation Crewmember Training Requirements

Revision 2  
November 20, 2008

Type: Abnormal Procedures  
Production Effectivity: All G500 Airplanes



TRAINING REQUIREMENTS  
EXCERPT

# Gulfstream

# Gulfstream G500

## OPERATING MANUAL SUPPLEMENT

G500-OMS-01

### EVACUATION CREWMEMBER TRAINING

#### General

**NOTE:** It is not required that the evacuation crewmember be trained in any other flight attendant functions other than those listed in this supplement.

1. A crewmember trained in evacuation is an additional required crewmember for all flights having 10 or more passengers.
2. The required pilot and co-pilot cannot serve this function.
3. The evacuation crewmember must be trained in the recommended methods for evacuating through the Gulfstream elliptical exits.
4. The evacuation crewmember must be trained in the procedures for directing passenger flow to the available exits to prevent someone who may not fit through, or may have other personal disabilities which may preclude them from using the elliptical exit, from blocking it so that others may utilize the exit.

#### Minimum Training

##### 1. Initial and Recurrent Training Requirements

No operator may use a person, nor may any person serve as an evacuation crewmember unless that person has completed the initial or recurrent evacuation crewmember training since the beginning of the 12th calendar month before that service.

##### 2. Recurrent Training

Each operator must ensure that each evacuation crewmember receives recurrent training and is adequately training and currently proficient for the type aircraft and crewmember position involved. See **Evacuation Crewmember Recurrent Training** section for detailed requirements for recurrent training.

#### Testing Requirements

No operator may use an evacuation crewmember, nor may any person serve as an evacuation crewmember unless since the beginning of the 12th calendar month before that service the operator has determined by appropriate initial or recurrent testing that the person is knowledgeable and competent in the following areas as appropriate to assigned duties and responsibilities:

# Gulfstream G500

## OPERATING MANUAL SUPPLEMENT

G500-OMS-01

1. Authority of the pilot in command.
2. Crewmember assignments, functions, and responsibilities during evacuation of persons who may need the assistance of another person to move expeditiously to an exit in an emergency.
3. Briefing of passengers (see **Passenger Briefing** section).
4. Location and operation of all normal and emergency exits and related equipment.
5. Seating of persons who may need assistance of another person to move rapidly to an exit in an emergency as prescribed by the operator's operations manual.
6. An understanding of the recommended, configuration specific, method for evacuating through the Gulfstream elliptical exits (see **Passenger Briefing** section) and procedures for directing passenger flow (see **Passenger Flow** section).

### Training Requirements

1. Each training program must provide emergency training for each aircraft configuration (i.e., training for directing passenger flow and illustrate the recommended method for evacuating through the elliptical exits for the various interior configurations, see **Specific Interior Configuration Training, Passenger Flow** and **Passenger Briefing** sections) and each kind of operation conducted.
2. Emergency training must provide the following:
  - A. Instruction in emergency assignments and procedures, including coordination among crewmembers;
  - B. Individual instruction in the location, function, and operation of emergency equipment used in evacuation; and
  - C. Instruction in the handling of emergency situations including evacuation.
3. For initial and recurrent training, each evacuation crewmember must perform at least the following emergency drills using a representative Gulfstream aircraft or cabin mockup training device which has the Gulfstream elliptical exits installed:

# Gulfstream G500

## OPERATING MANUAL SUPPLEMENT

G500-OMS-01

- A. Ditching, if applicable; this includes opening and egressing through a representative Gulfstream main entry door when the elliptical exit is not usable or if you have a passenger(s) who is unable to use the elliptical exit. Conduct an emergency evacuation drill to demonstrate directing of passengers(s) flow out the main entry door (reference Section 2.4.2).
- B. Emergency evacuation. This includes opening and egressing through a representative Gulfstream elliptical exit and conduct of an emergency evacuation drill to demonstrate directing of passenger flow (reference Section 2.4.2).
- C. Operation and use of Gulfstream elliptical exits. Training must include personal experience in opening and egressing through an elliptical exit on either a representative Gulfstream aircraft or a cabin mockup training device that has the Gulfstream elliptical exits installed. (Note: The exit used for this egress exercise must latch the same, open the same, and be similar in weight to that of a G500 aircraft exit).

### Specific Interior Configuration Training

Specific interior configuration training that provides the recommended methods for evacuating through the Gulfstream elliptical exits for the specific interior configuration(s) for which operation is desired (see **Passenger Briefing** section) must be provided (i.e., divan, credenza and single/club seating configurations).

Training for the specific interior configuration(s) may be provided through the use of a video-tape which would provide egress information similar to that provided in the **Passenger Briefing** section or by conducting an actual egress on an aircraft outfitted with that specific interior along with the other training required herein.

### Passenger Flow

#### 1. Initial Crewmember Training

The initial training curriculum must include conducting emergency evacuation drill(s) through a Gulfstream elliptical exit (i.e., one that latches the same, opens the same, and is similar in weight to the G500 exit).





This must be conducted with a minimum of five (5) "passengers" other than the trainee (crewmember training classmates may be used for this activity). At least one of these individuals must simulate or represent a person who does not fit through, or is otherwise incapable of utilizing, the Gulfstream elliptical exit. Training must be conducted on either a representative Gulfstream aircraft or a cabin mockup training device which has the Gulfstream elliptical exits installed.

## 2. Recurrent Crewmember Training

The recurrent training program must include a review of the above training, however may be limited to the individual being trained and include opening and removing the exit window and egress through the elliptical exit. This may be performed on either a representative Gulfstream aircraft or a cabin mockup training device which has the Gulfstream elliptical exits installed.

**NOTE:** This portion of the recurrent training is only required every 24 months.

## PASSENGER BRIEFING

### General

A pre-flight briefing on the configuration specific egress procedures and exits of the airplane must be provided to all passengers before each flight. This briefing may be verbal or video taped and must include a detailed explanation of the recommended method for evacuating through the Gulfstream elliptical exits, and must include specific information for egress from the aircraft configuration for which operation sought (representative of the actual interior configuration in front of the available exits).

### Passenger Briefing Options

A passenger briefing Digital Video Disc (DVD) will be provided with the completed aircraft to each operator. As a backup, audible passenger briefing capabilities will be provided to each operator using the Airshow cabin display system. **Appendix D** of this report is the video script of the passenger briefing used on the G500. A copy of this script will be provided to each operator to use as a guide for verbal passenger briefings.

# Gulfstream G500

## OPERATING MANUAL SUPPLEMENT

G500-OMS-01

### COMPLIANCE TO TRAINING REQUIREMENTS

#### Curriculum

**Appendix A** of this document provides a sample curriculum outline for crewmember evacuation requirements.

#### Training

**Appendix B** of this document is a sample class presentation along with Sample Instructor Notes for Crewmember Evacuation training. This session must include emergency situation drills including egress through the G500 elliptical exits.

Practical application of the classroom training is completed on a representative aircraft or cabin trainer as part of the training program.

- Actual exit removal
- Egress of the minimum number of individuals
- Handling of passengers incapable of using overwing exits

The content of this training program cannot be adjusted without previous approval from Gulfstream Aerospace and the FAA.

#### Evacuation Crewmember Recurrent Training

Each operator must ensure that each evacuation crewmember receives recurrent training and is adequately trained and currently proficient for the type aircraft and crewmember position involved.

To meet the recurrent ground training for evacuation crewmembers the crewmember must:

- Successfully complete a written examination/quiz (see **Appendix C**) to determine the crewmember's knowledge of the aircraft and crewmember position involved.

# Gulfstream G500

## OPERATING MANUAL SUPPLEMENT

G500-OMS-01

- View the Specific Interior Configuration Training video discussed in the **Specific Interior Configuration Training** section. As previously discussed a general egress Digital Video Disc (DVD) will be produced for each completed aircraft prior to customer delivery. This instructional video will demonstrate proper removal of the elliptical exits, operation of alternate Type I exits and proper egress procedures for the G500 aircraft.
- Every 24 months the evacuation crewmember must successfully accomplish the emergency drills related to egress and appropriate to the recurrent training as specified in the **Passenger Flow** section.

### **Record of Evacuation Crewmember Training**

Each G500 operator must maintain a record of emergency crewmember training for each person that has successfully completed the required training. **Appendix E** of this document is an evacuation crewmember training sign-off sheet that can be used for this purpose.