

PRECON PRECAST, LLC
6868 FM 730 SOUTH
AZLE, TX 76020

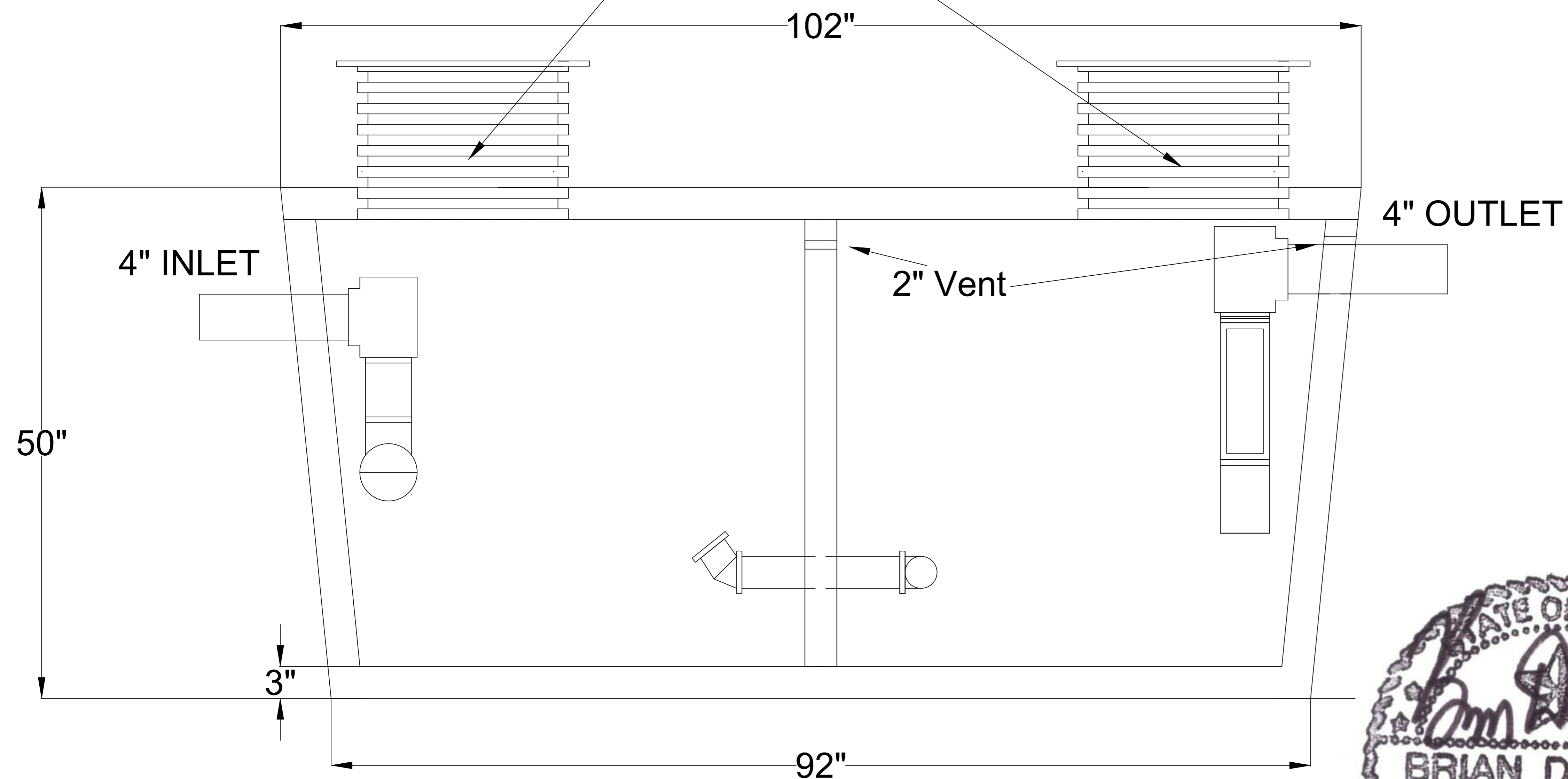
817-448-9718 OFFICE
817-448-9886 FAX
 frank@preconprecast.com
 www.preconprecast.com

General Notes: 1. Unit comes with interior piping installed.
 2. Inflow section of unit must be filled with at least 14.5" of clear water prior to use.

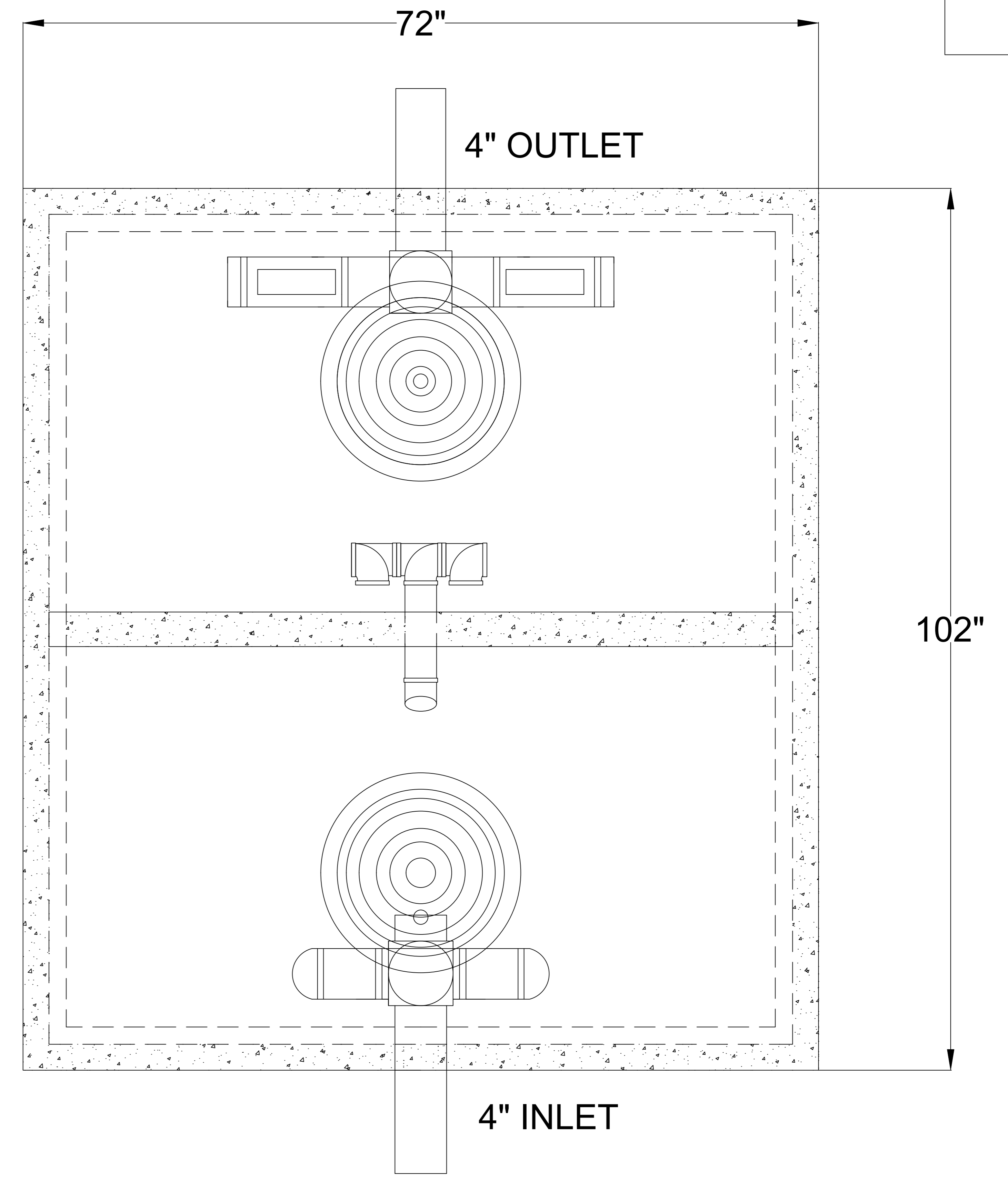
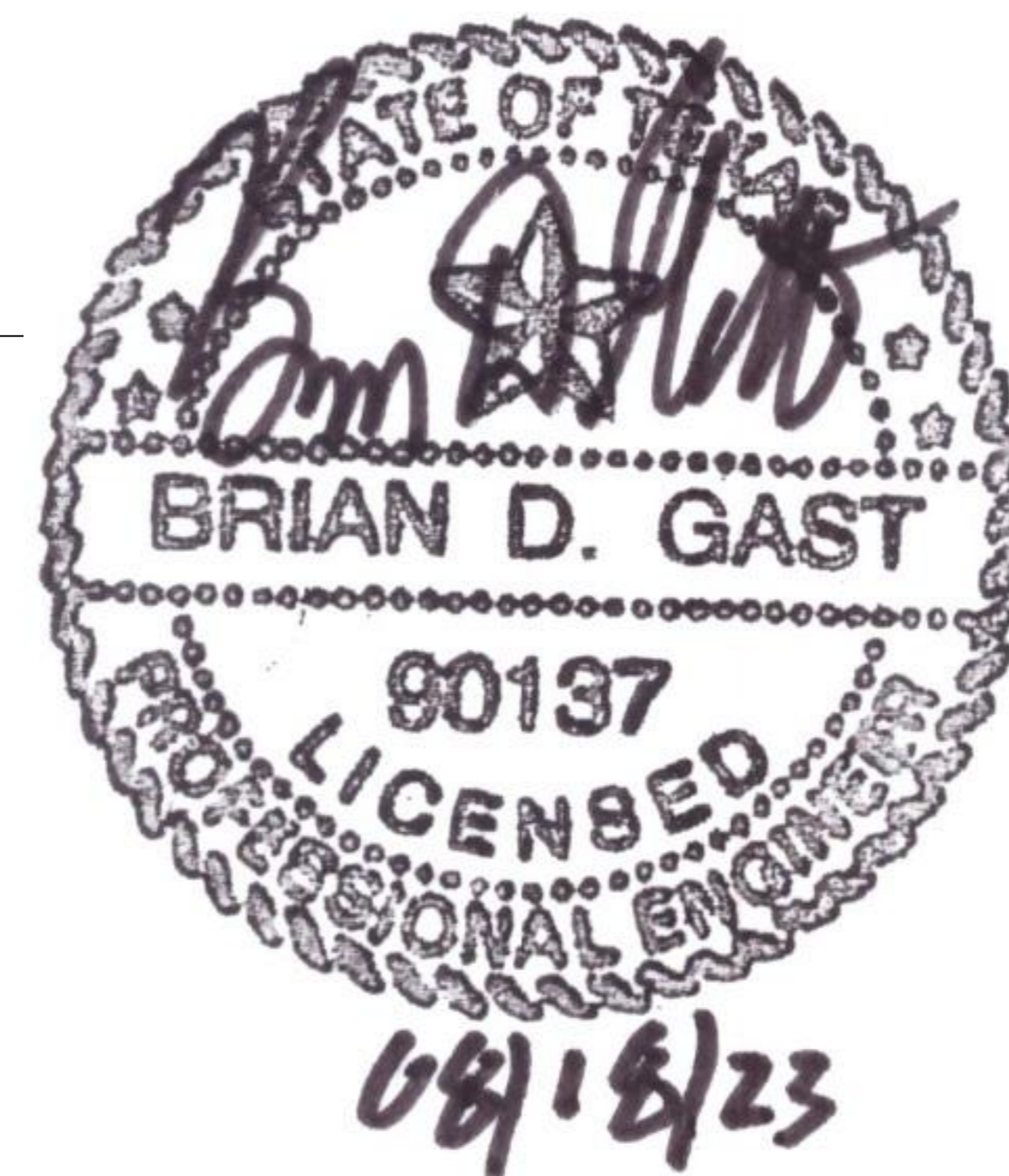
1

Specifications: 1. Concrete has design strength of 5,000psi @ 28 days. 2. Steel reinforcement: ASTM A-615, grade 60 ASTM A-497 welded wire fabric. 3. Designed for H2O loading. 4. CI Casting: ASTM A-48, class 30/35.

24" RING & COVER H20
 TRAFFIC RATED LID ON
 ADS RISER CUT TO
 GRADE



SIDE VIEW



TOP VIEW

750gtlpARL.dwg FILE NAME:	APPROVED FOR PRODUCTION	AUTHORIZED BY	750 GALLON GREASE TRAP LOW PROFILE ARLINGTON
	DATE:	PRINT:	
	JOB TITLE:	SIGN:	