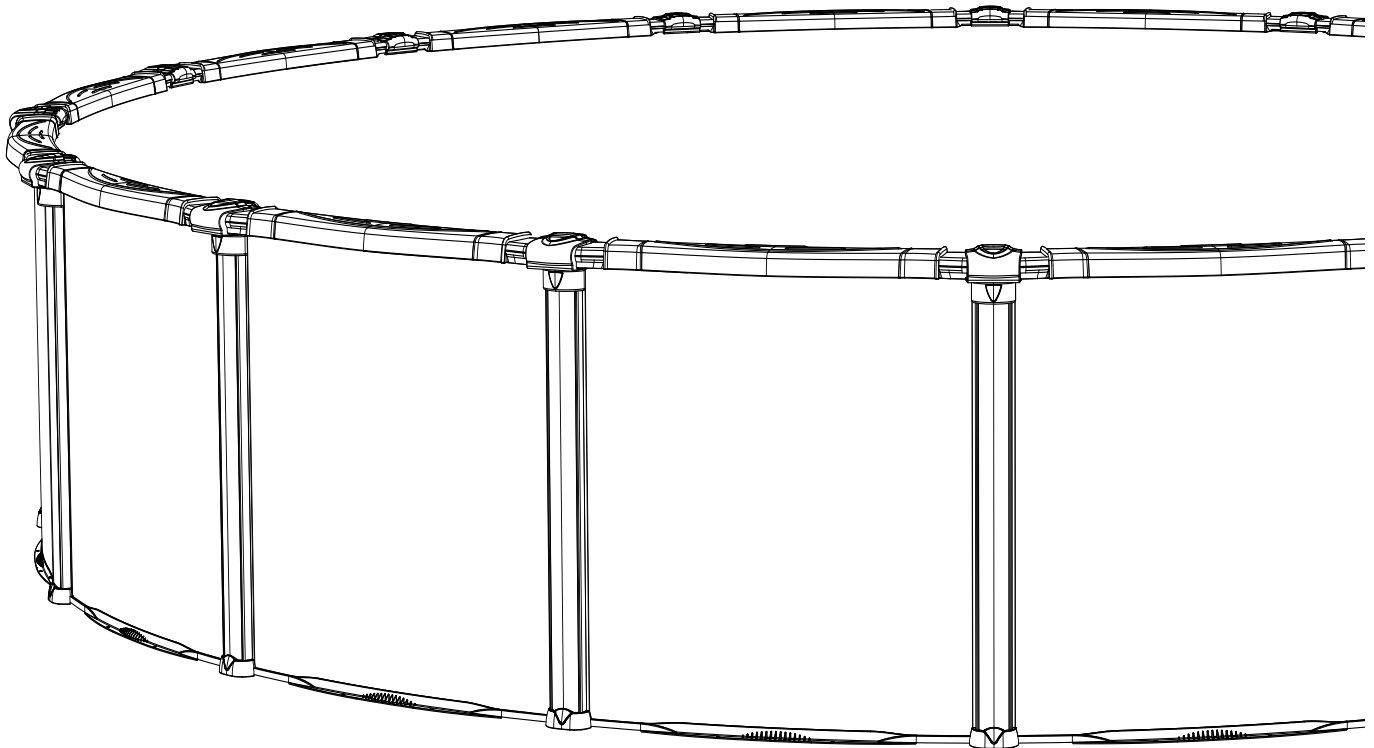
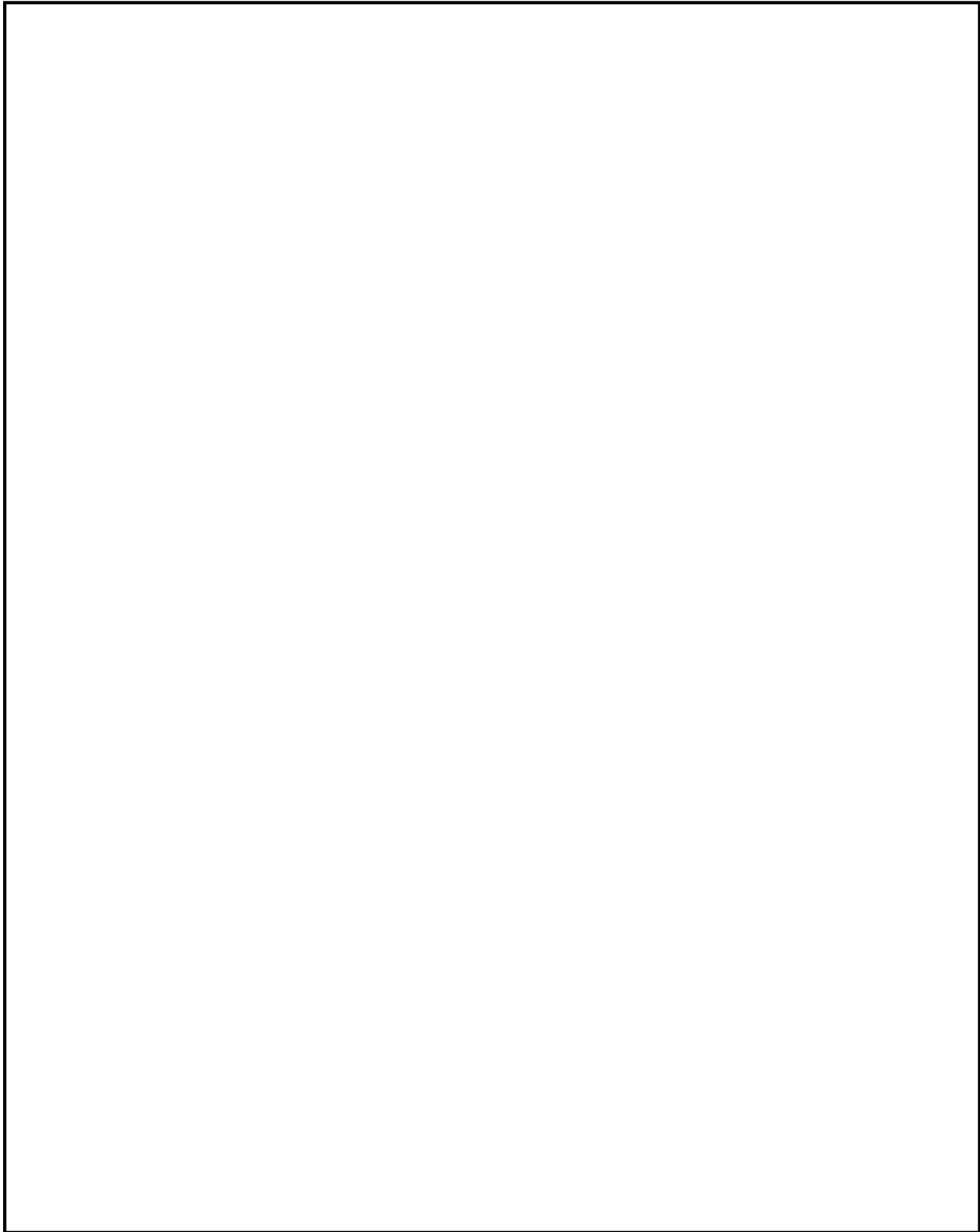


# V35034

INSTALLATION MANUAL  
BRACELESS OVAL POOLS

# INSPIRATION (STR/RTR) REGENCY





# ABOVE GROUND POOL SAFETY

## PLEASE READ BEFORE INSTALLATION



### WARNING

FAILURE TO HEED THESE WARNINGS CAN RESULT IN PERMANENT INJURY, PARALYSIS FROM A BROKEN NECK, ELECTROCUTION OR DROWNING. THIS POOL IS NOT DESIGNED FOR DIVING OR JUMPING! DANGEROUS INJURY CAN RESULT, SHALLOW WATER!

Carefully read, understand and follow all information in this user manual before installing and using the swimming pool. These warnings, instructions and safety guidelines address some common risks of water recreation, but they cannot cover all risks and dangers in all cases. Always use caution, common sense and good judgement when enjoying any water activity. **RETAIN THIS INFORMATION FOR FUTURE USE.**

Your pool contains a large quantity of water, and is deep enough to present inherent dangers to life and health unless the following safety rules are strictly observed. First-time users run the highest risk of injury. Make sure everyone understands and encourage all users especially children to learn how to swim. Learn Basic Life Support (Cardiopulmonary Resuscitation-CPR) and refresh this knowledge regularly. Instruct all pool users, including children, what to do in case of an emergency. Keep a working phone and a list of emergency phone numbers near the pool. This can make a life-saving difference in the event of an emergency. To insure your pool is used safely you **MUST** observe the following safety precautions:

#### 1. NO JUMPING OR DIVING

The top rail of your pool is not a walkway and must not be used for jumping or diving. Do not permit jumping or diving into the pool from a deck or the top rail of the pool. Diving or jumping into the pool can result in serious injury.

#### 2. NEVER USE THE POOL ALONE

Never permit the pool to be used unless it is attended by at least one person other than the bather. Someone should always be available to lend assistance in an emergency. Designate a competent adult to supervise the pool each time it is being used. Vigilant supervision of weak swimmers and non-swimmers by a competent adult is required at all times, remembering that children under five are at the highest risk of drowning.

#### 3. NEVER LEAVE CHILDREN UNATTENDED

Never leave a child alone and unsupervised in or near the pool—not even for a second. There is no substitute for constant adult supervision.

#### 4. NO ROUGH PLAY

Do not permit "rough-play" in and around your pool. Surfaces can become slippery and hazardous when wet.

#### 5. LIGHT THE POOL AT NIGHT

If the pool is used after dusk, adequate lighting must be provided. Illumination in the pool area must be sufficient to clearly judge pool depth and all features in and around the pool. For lighting recommendations, consult your local licensed electrical contractor

#### 6. RESTRICT ACCESS TO THE POOL

Do not leave chairs or other furniture beside the pool that could be used by a child to climb up into the pool. Ladders must be removed whenever the pool is unattended. A fence with a lockable gate around the pool or yard is strongly recommended and may be required by law in some jurisdictions. Secure doors and windows, where applicable to prevent unauthorized access to the swimming pool. Remove all toys from the swimming pool and surrounding area when not in use to avoid attracting children to the pool. Barriers, pool covers, pool alarms or similar safety devices are helpful aids, but they are not substitutes for continuous adult supervision.

#### 7. NO ALCOHOL OR DRUGS

Never drink alcoholic beverages, use any intoxicants or medication which could hinder your judgment and reflexes.

#### 8. KEEP YOUR POOL CLEAN AND SANITARY

Your filter system will remove suspended particles from the water and the surface skimmer will remove insects, leaves and other debris from the water surface. Use the correct pool chemicals as directed to destroy harmful bacteria and prevent formation of algae. Remember, unsanitary water is a serious health hazard.

#### 9. KEEP OFF TOP LEDGES

Do not walk on top ledges. They can be slippery and they are not a walkway.

#### 10. POOL COVER SAFETY

The cover must have a tamperproof locking retainer cable that positions the cover around the pool wall and keeps it securely in place. Never allow anyone, especially small children on the cover. Asphyxiation or drowning could result. Be sure to remove pool cover completely from the water surface before entering the pool. When purchasing any pool cover, please consult a swimming pool professional.

#### 11. ELECTRICAL HAZARD

Never touch or attempt to service electrical equipment, including the filter when your body and/or the ground is wet. Electrocution or permanent injury due to high voltage (120V AC) could result. The pool should be bonded in accordance with Section 680-26 of the National Electrical Code. For further assistance contact your dealer or a local licensed electrician. Do not use pool during electrical or rain storms.

#### 12. SAFETY EQUIPMENT

Keep a safety rope 1/4" by 50" with a flotation buoy with an outside diameter of 15". Have accessible in a prominent area by your pool. Keep a pole not less than 16 feet (4.88m) long with a blunt or hook end available at pool side in case of emergencies. Weak swimmers and non-swimmers should wear personal protection equipment when using the pool.

#### 13. POOL CHEMICALS

Store pool chemicals out of the reach of children. Do not place chlorine, chlorine tablets or sticks directly into skimmer, or winterize your pool with liquid chlorine. Damage to the skimmer, pool liner and filter will result. Failure to obey this instruction will void all component warranties. Always follow Chemical Manufacturer's instructions when storing, handling and dispensing pool chemicals.

#### 14. CHECK FOR DAMAGE

Periodically check your pool and ladder components for damage and wear. Be sure all screws are in place. Replace all damaged or worn components and tighten all screws before you use the pool, deck or ladders. At first sign remove rust and touch up immediately.

#### 15. POOL PARTS

Never modify the pool or accessories, or remove or drill holes in the pool, deck or ladder components unless instructed. Your pool wall is made of thin metal, there is an inherent cut hazard with metal so use gloves during installation. Always use Original Equipment Manufactured parts for your replacement parts.

#### FOLLOW ALL SAFETY INSTRUCTIONS

Read and follow all safety instructions packaged with pool, ladder, deck or any other accessory. Additional pool safety publications can be obtained by contacting: The Association of Pool & Spa Professionals ([www.apsp.org](http://www.apsp.org))



### IMPORTANT NOTICE READ BEFORE INSTALLATION!

The safety stickers must be installed as per following instructions. Failure to properly install warning labels will void warranty. Failure to mount these safety labels may subject you to substantial liability in case of injury. These warnings are not to be removed under any circumstances! If they become discolored or fall off please request replacements which will be sent at no charge.

#### PLACE SIGN ON LINER ABOVE WATER LINE, OPPOSITE ENTRY TO POOL



PLACE SIGN ON WALL NEXT TO POOL ENTRY



REMEMBER WATCH CHILDREN





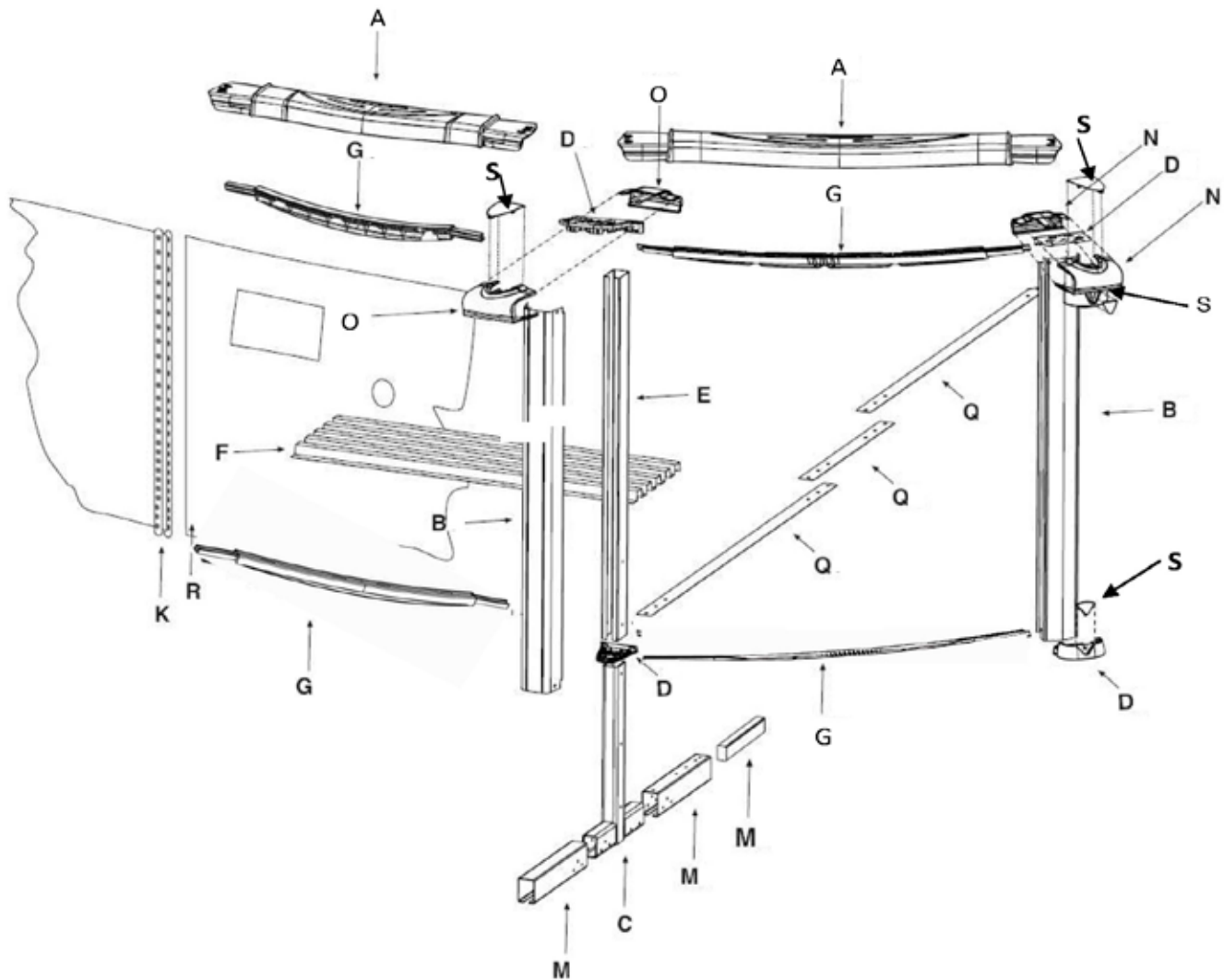
Section  
1

**GENERAL INSTRUCTIONS - BRACELESS OVAL POOLS  
GROUND PREPARATION**

**PARTS LISTING - EXPLODED VIEW**

**Inspiration DLX RTR  
PINS-YE52RSRRRF11  
Yard Extender  
Oval**

**!** Important Note:  
Make sure you have all the parts necessary before you start installation.



**!** Important Note:  
Do not throw away the extruded polystyrene sections.

**Section  
1**

**GENERAL INSTRUCTIONS - BRACELESS OVAL POOLS  
GROUND PREPARATION**

**PARTS LISTING - CONTENTS**

<b>Product Description :</b>				<b>Inspiration DLX Oval</b>					Revised Sept 2015
<b>Product Code:</b>				<b>PINS-YE52RSRRRRF11</b>					
				Quantity required for installation (by pool size)					
<b>Index #</b>	<b>Description</b>	<b>Part #</b>	<b>Length</b>	<b>1219</b>	<b>1223</b>	<b>1526</b>	<b>1530</b>	<b>1833</b>	
A	Top ledge (round sections)	SD777-001-R	56"	8	8	10	10	12	
A	Top ledge (straight sections)	SD777-001-45	45"	4	6	6	8	8	
B	Upright (straight sections)	SDT735-R12954M	51,750"	6	8	8	10	10	
B	Upright (round sections)	SDT777-R10138M	51,750"	6	6	8	8	10	
C	T unit	20801		6	8	8	10	10	
D	Bottom plate (straight sections)	CG21120B		6	8	8	10	10	
D	Bottom plate (round sections)	SD777-26300A		6	6	8	8	10	
D	Top plate (round sections)	CG20668A		6	6	8	8	10	
D	Top plate (straight sections)	CG21120A		6	8	8	10	10	
E	Vertical sleeve	20506	51,000"	6	8	8	10	10	
F	Brace plate	20809	47,000"	4	6	6	8	8	
G	Stabilizer / Bottom rail (straight sections)	1514215	42,000"	8	12	12	16	16	
G	Stabilizer / Bottom rail (round sections)	1525515	55,250"	12	12	16	16	20	
G	Bottom-transition	1325315	54.125	4	4	4	4	4	
K	Steel bars	11823	52,000"	2	2	2	2	2	
M	Horizontal sleeve with pen nut	20810	17,000"	6	8	8	10	10	
M	Extruded polystyrene piece	1000100		6	8	8	10	10	
M	Horizontal sleeve without pen	20802	17,000"	6	8	8	10	10	
N	Ledge cover (round sections)	SD777-26100AB		6	6	8	8	10	
O	Ledge cover (straight sections)	SD777-26100OV		6	8	8	10	10	
Q	Steel strap 60"	20560	59,750"	6	8	12	15	15	
Q	Steel strap 26"	20526	26,000"	3	4			10	
R	Wall			1	1	1	1	1	
*	Hardware bag/pool	SACV12X34-58	#12 SCREWS 3/4"	1					
*	Hardware bag/pool	SACV12X34-66	#12 SCREWS 3/4"		1				
*	Hardware bag/pool	SACV12X34-74	#12 SCREWS 3/4"			1			
*	Hardware bag/pool	SACV12X34-86	#12 SCREWS 3/4"				1		
*	Hardware bag/pool	SACV12X34-98	#12 SCREWS 3/4"					1	
	Screw 12x3/4	V12x34		58	66	74	86	98	
	Bag of plastic spacers	SACSP625X250-12		1					
	Bag of plastic spacers	SACSP625X250-14			1				
	Bag of plastic spacers	SACSP625X250-16				1			
	Bag of plastic spacers	SACSP625X250-18					1		
	Bag of plastic spacers	SACSP625X250-20						1	
*****	Plastic spacer	SP0625X0250		12	14	16	18	20	
***	Hardware bag/pool	SACVHL12114-63		1					
***	Hardware bag/pool	SACVHL12114-74			1				
***	Hardware bag/pool	SACVHL12114-84				1			
***	Hardware bag/pool	SACVHL12114-95					1		



# Section 1

## GENERAL INSTRUCTIONS - BRACELESS OVAL POOLS GROUND PREPARATION

### PARTS LISTING - CONTENTS

Product Description :				Inspiration DLX Oval					Revised Sept 2015
Product Code:				PINS-YE52RSRRRRF11					
				Quantity required for installation (by pool size)					
Index #	Description	Part #	Length	1219	1223	1526	1530	1833	
***	Hardware bag/pool	SACVHL12114-105						1	
	Screw 12x1-1/4	VHL12x114S		63	74	84	95	105	
****	Hardware bag/pool	SACFW10X34S-50	10x3/4 Flat washer	1					
****	Hardware bag/pool	SACFW10X34S-60	10x3/4 Flat washer		1				
****	Hardware bag/pool	SACFW10X34S-65	10x3/4 Flat washer			1			
****	Hardware bag/pool	SACFW10X34S-75	10x3/4 Flat washer				1		
****	Hardware bag/pool	SACFW10X34S-85	10x3/4 Flat washer					1	
	Flat washer 10x3/4S	FW10x34S		50	60	65	75	85	
S	Plugs bag	SACCAPCF777-12		1					
S	Plugs bag	SACCAPCF777-14			1				
S	Plugs bag	SACCAPCF777-16				1			
S	Plugs bag	SACCAPCF777-18					1		
S	Plugs bag	SACCAPCF777-20						1	
*****	Kit 3 plugs	CAPCF777		12	14	16	18	20	
**	Hardware bag/wall	1050000054		1	1	1	1	1	
	Thrus phill 18-8 bolts 18-8 1/4 0x3/4	99-0023		31	31	31	31	31	
	Flange nuts S/S 1/4-20 Serrated	2FGS422		31	31	31	31	31	
	DVD installation	SACWBI36876		1	1	1	1	1	
*****	Hardware bag/pool	SACSJF-4			2	2	1	1	
*****	Hardware bag/pool	SACSJF-6		1			1	1	
	Bolt hex 1/4"-20 X 2 1/2"	B14X20X212		49	66	66	82	82	
	Bolt 3/8"-16 X 3/4"	B38X16X34		37	50	50	62	62	
	Nut 1/4"-20	N14X20		49	66	66	82	82	
	Nut 3/8" X 16	N38X16S		19	26	26	32	32	

\* In the hardware bag/pool you will find parts: #V12x34

\*\* In the hardware bag/wall you will find parts: #99-0023 - #2FGS422

\*\*\* In the hardware bag/pool you will find parts: #VHL12114

\*\*\*\* In the hardware bag/pool you will find parts: #FW10x34S

\*\*\*\*\* In the hardware bag/pool you will find parts: #B14x20x212 - #B38x16x34 - #N14x20 - #N38x16S

\*\*\*\*\* In the bag of plastic spacers you will find parts: #SP0625X0250

\*\*\*\*\* In the plugs bag you will find parts: #CAPCF777



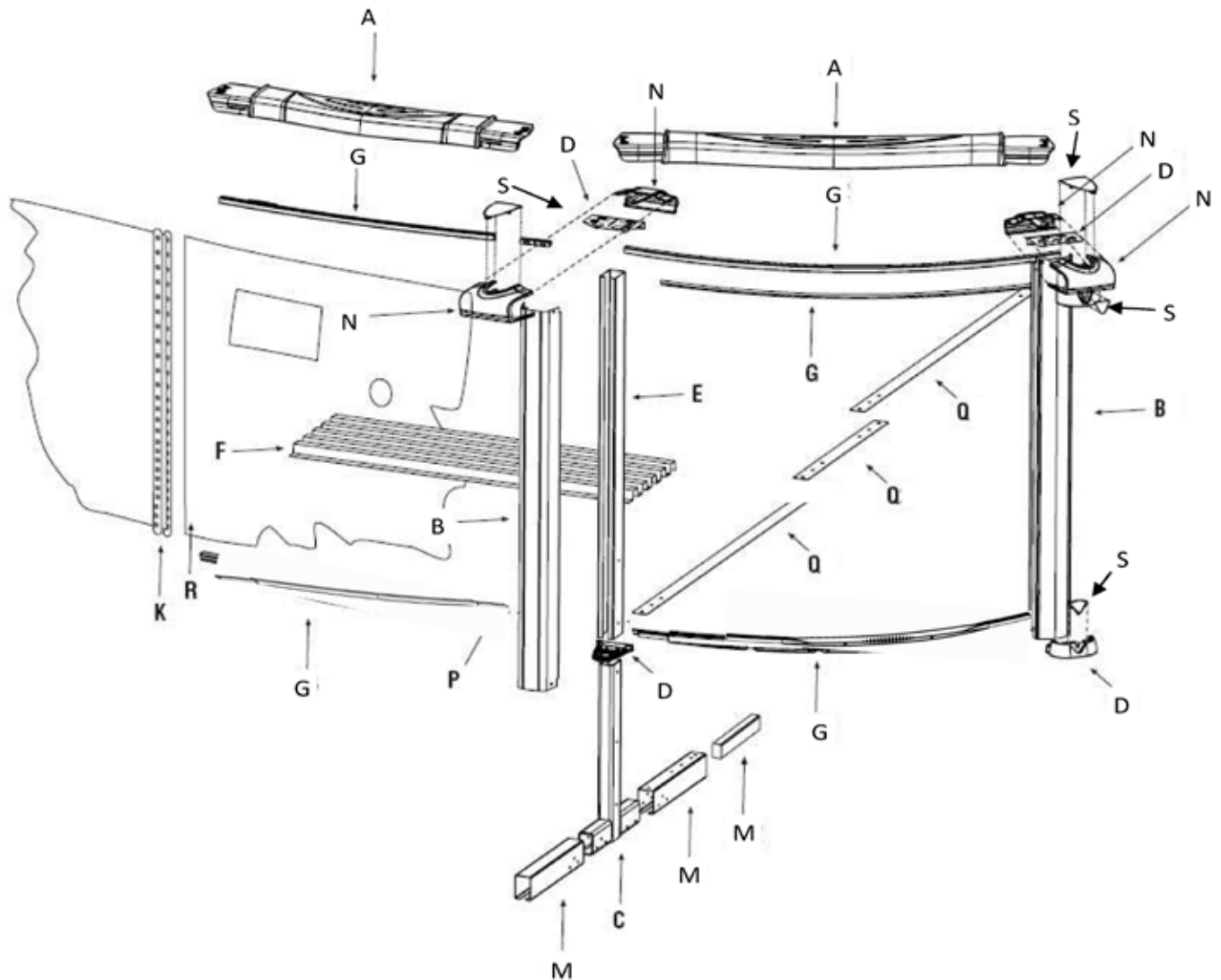
Section  
1

# GENERAL INSTRUCTIONS - BRACELESS OVAL POOLS GROUND PREPARATION

## PARTS LISTING - EXPLODED VIEW

Inspiration RTR  
PINS-YE52RSRSRSF11  
Yard Extender  
Oval

**!** Important Note:  
Make sure you have all the parts necessary before you start installation.



**!** Important Note:  
Do not throw away the extruded polystyrene sections.

# Section 1

## GENERAL INSTRUCTIONS - BRACELESS OVAL POOLS GROUND PREPARATION

### PARTS LISTING - CONTENTS

Product Description :		Inspiration Oval			Revised Sept 2015				
Product Code :		PINS-YE52RSRSRSF11							
				Quantity required for installation ( by pool size )					
Index #	Description	Part #	Length	1219	1223	1526	1530	1833	
A	Top ledge (round sections)	SD777-001-R		8	8	10	10	12	
A	Top ledge (straight sections)	SD777-001-45		4	6	6	8	8	
B	Upright (straight sections)	SDT735-R12954M	53,750"	6	8	8	10	10	
B	Upright (round sections)	SDT777-R10138M	53,750"	6	6	8	8	10	
C	T unit	20801		6	8	8	10	10	
D	Bottom plate (straight sections)	CG21120B		6	8	8	10	10	
D	Bottom plate (round sections)	SD777-26300A		6	6	8	8	10	
D	Top plate (straight sections)	21134		6	8	8	10	10	
D	Top plate (round sections)	20668A		6	6	8	8	10	
E	Vertical sleeve	20506	51,000"	6	8	8	10	10	
F	Brace plate	20809	47,000"	4	6	6	8	8	
G	Stabilizer 38" straight section	LA1254138	38,000"	4	6	6	8	8	
G	Stabilizer 12' dia.	LA1255412	54,250"	4	4				
G	Stabilizer 15' dia.	LA1255415	54,320"			4	4		
G	Stabilizer 18' dia.	LA1255418	54,320"					4	
G	Stabilizer 12' dia.	LA1255612	55,750"	4	4				
G	Stabilizer 15' dia.	LA1255615	55,875"			6	6		
G	Stabilizer 18' dia.	LA1255618	55,875"					8	
G	Bottom rail (straight sections)	1514215	42,000"	4	6	6	8	8	
G	Bottom rail (transition)	1325315	54-1/8"	4	4	4	4	4	
G	Bottom rail (round section)	1525515	55-1/4"	4	4	6	6	8	
K	Steel bar	11823	52,000"	2	2	2	2	2	
M	Horizontal sleeve with pen	20810	17,000"	6	8	8	10	10	
M	Extruded polystyrene piece	1000100		6	8	8	10	10	
M	Horizontal sleeve without pen	20802	17,000"	6	8	8	10	10	
N	Ledge cover (round sections)	SD777-26100AB		6	6	8	8	10	
N	Ledge cover (straight sections)	SD777-26100OV		6	8	8	10	10	
P	Junction wall channel	12539		12	16	16	20	20	
Q	Steel strap 60"	20560	59,750"	6	8	12	15	15	
Q	Steel strap 26"	20526	26,000"	3	4			10	
R	Wall			1	1	1	1	1	
*	Hardware bag/pool	SACV12X34-58	#12 SCREWS 3/4"	1					
*	Hardware bag/pool	SACV12X34-66	#12 SCREWS 3/4"		1				
*	Hardware bag/pool	SACV12X34-74	#12 SCREWS 3/4"			1			
*	Hardware bag/pool	SACV12X34-86	#12 SCREWS 3/4"				1		
*	Hardware bag/pool	SACV12X34-98	#12 SCREWS 3/4"					1	
	Screw 12x3/4	V12x34		58	66	74	86	98	
***	Hardware bag/pool	SACVHL12114-63	#12 SCREWS 1-1/4"	1					
***	Hardware bag/pool	SACVHL12114-74	#12 SCREWS 1-1/4"		1				
***	Hardware bag/pool	SACVHL12114-84	#12 SCREWS 1-1/4"			1			
***	Hardware bag/pool	SACVHL12114-95	#12 SCREWS 1-1/4"				1		
***	Hardware bag/pool	SACVHL12114-105	#12 SCREWS 1-1/4"					1	
	Screw 12x1-1/4S	VHL12x114S		63	74	84	95	105	
S	Caps bag	SACCAPCF777-12		1					

# GENERAL INSTRUCTIONS - BRACELESS OVAL POOLS GROUND PREPARATION

## PARTS LISTING - CONTENTS

<b>Product Description :</b>		<b>Inspiration Oval</b>			Revised Sept 2015				
<b>Product Code :</b>		<b>PINS-YE52RSRSRSF11</b>							
					Quantity required for installation ( by pool size )				
Index #	Description	Part #	Length	1219	1223	1526	1530	1833	
S	Caps bag	SACCAPCF777-14			1				
S	Caps bag	SACCAPCF777-16				1			
S	Caps bag	SACCAPCF777-18					1		
S	Caps bag	SACCAPCF777-20						1	
	Kit 3 plug Inspiration	CAPCF777		12	14	16	18	20	
*****	Wall intersecting channel bag	SAC12539-12		1					
*****	Wall intersecting channel bag	SAC12539-16			1	1			
*****	Wall intersecting channel bag	SAC12539-20					1	1	
	Plastic spacers bags	SACSP625X250-12		1					
	Plastic spacers bags	SACSP625X250-14			1				
	Plastic spacers bags	SACSP625X250-16				1			
	Plastic spacers bags	SACSP625X250-18					1		
	Plastic spacers bags	SACSP625X250-20						1	
**	Hardware bag/wall	1050000054		1	1	1	1	1	
	Thrus phill 18-8 bolts 18-8 1/4-0x3/4	99-0023		31	31	31	31	31	
	Flange nuts S/S 1/4-20 Serrated	2FGS422		31	31	31	31	31	
	Instruction DVD	SACWBI36876		1	1	1	1	1	
****	Hardware bag/pool	SACSJF-4			2	2	1	1	
****	Hardware bag/pool	SACSJF-6		1			1	1	
	Bolt hex 1/4"-20 X 2 1/2"	B14X20X212		49	66	66	82	82	
	Bolt 3/8"-16 X 3/4"	B38X16X34		37	50	50	62	62	
	Nut 1/4"-20	N14X20		49	66	66	82	82	
	Nut 3/8" X 16	N38X16S		19	26	26	32	32	

\* In the hardware bag/pool you will find parts: #V12x34

\*\* In the hardware bag/wall you will find parts: #99-0023 - #2FGS422

\*\*\* In the hardware bag/pool you will find parts: #VHL12114S

\*\*\*\* In the hardware bar/pool you will find parts: #B14x20x212 - #B38x16x34 - #N14x20 - #N38x16S

\*\*\*\*\* In the Wall intersecting channel bag you will find parts: #12539



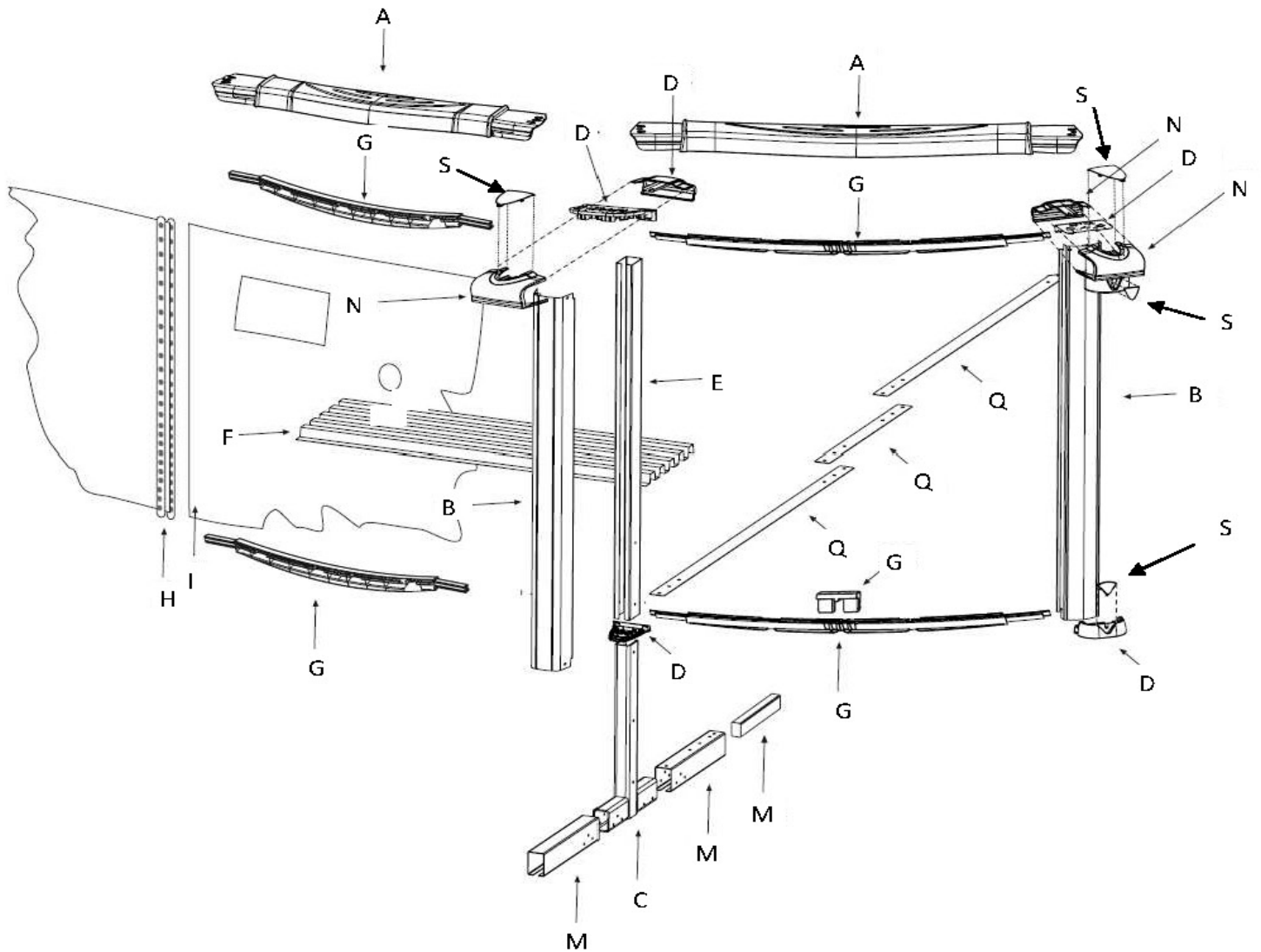
Section  
1

**GENERAL INSTRUCTIONS - BRACELESS OVAL POOLS**  
**GROUND PREPARATION**

**PARTS LISTING - EXPLODED VIEW**

Inspiration RTR  
PINS-YE54RSRRRF11  
Yard Extender  
Oval

**!** Important Note:  
Make sure you have all the parts necessary before you start installation.



**!** Important Note:  
Do not throw away the extruded polystyrene sections.

**Section  
1**

**GENERAL INSTRUCTIONS - BRACELESS OVAL POOLS  
GROUND PREPARATION**

**PARTS LISTING - CONTENTS**

<b>Product Description :</b>				<b>Inspiration Oval</b>				Revised Sept 2015
<b>Product Code:</b>				<b>PINS-YE54RSRRRRF11</b>				
				Quantity required for installation ( by pool size)				
<b>Index #</b>	<b>Description</b>	<b>Part #</b>	<b>Length</b>	<b>1223</b>	<b>1526</b>	<b>1530</b>	<b>1833</b>	
A	Top ledge (round sections)	SD777-001-R	56"	8	10	10	12	
A	Top ledge (straight sections)	SD777-001-45	45"	6	6	8	8	
B	Upright (straight sections)	SDT835-R12954M	53,750"	8	8	10	10	
B	Upright (round sections)	SDT877-R10138M	53,750"	6	8	8	10	
C	T unit	20801		8	8	10	10	
D	Bottom plate (straight side)	CG21120B		8	8	10	10	
D	Bottom plate (round side)	SD777-26300A		6	8	8	10	
D	Top plate (straight sections)	CG20668A		6	8	8	10	
D	Top plate (round sections)	CG21120A		8	8	10	10	
E	Vertical sleeve	20509	52,875"	8	8	10	10	
F	Brace plate	20809	47,000"	6	6	8	8	
G	Stabilizer / Bottom rail(straight)	1514215	42,000"	12	12	16	16	
G	Stabilizer / Bottom rail (round side)	1525515	55,250"	12	16	16	20	
G	Stabilizer/Bottom rail transition	1325315	54.125	4	4	4	4	
H	Steel bars	11825		2	2	2	2	
I	Wall			1	1	1	1	
M	Horizontal sleeve with pen	20810	17,000"	8	8	10	10	
M	Extruded polystyrene piece	1000100		8	8	10	10	
M	Horizontal sleeve without pen	20802	17,000"	8	8	10	10	
N	Ledge cover (round sections)	SD777-26100AB		6	8	8	10	
N	Ledge cover (straight sections)	SD777-26100OV		8	8	10	10	
Q	Steel strap 60"	20560	59,750"	8	12	15	15	
Q	Steel strap 26"	20526	26,000"	4			10	
S	Bag of caps plugs	SACCAPCF777-14		1				
S	Bag of caps plugs	SACCAPCF777-16			1			
S	Bag of caps plugs	SACCAPCF777-18				1		
S	Bag of caps plugs	SACCAPCF777-20					1	
	Kit 3 plug Inspiration	CAPCF777		14	16	18	20	
*	Hardware bag/pool	SACV12X34-66	#12 screws 3/4	1				
*	Hardware bag/pool	SACV12X34-74	#12 screws 3/4		1			
*	Hardware bag/pool	SACV12X34-86	#12 screws 3/4			1		
*	Hardware bag/pool	SACV12X34-98	#12 screws 3/4				1	
	Screw 12x3/4	V12x34		66	74	86	98	
***	Hardware bag/pool	SACVHL12114-74	#12 screws 1 1/4	1				
***	Hardware bag/pool	SACVHL12114-84	#12 screws 1 1/4		1			
***	Hardware bag/pool	SACVHL12114-95	#12 screws 1 1/4			1		
***	Hardware bag/pool	SACVHL12114-105	#12 screws 1 1/4				1	
	Screw 12x1-4/4	VHL12x114S		74	84	95	105	
****	Hardware bag/pool	SACFW10X34S-60	10x3/4 flat washer	1				
****	Hardware bag/pool	SACFW10X34S-65	10x3/4 flat washer		1			
****	Hardware bag/pool	SACFW10X34S-75	10x3/4 flat washer			1		
****	Hardware bag/pool	SACFW10X34S-85	10x3/4 flat washer				1	
	Flat washer	FW10x34S		60	65	75	85	



# GENERAL INSTRUCTIONS - BRACELESS OVAL POOLS GROUND PREPARATION

## PARTS LISTING - CONTENTS

<b>Product Description :</b>		<b>Inspiration Oval</b>		Revised Sept 2015			
<b>Product Code:</b>		<b>PINS-YE54RSRRRRF11</b>					
				Quantity required for installation ( by pool size)			
Index #	Description	Part #	Length	1223	1526	1530	1833
	Plastic spacer bag	SACSP625X250-14		1			
	Plastic spacer bag	SACSP625X250-16			1		
	Plastic spacer bag	SACSP625X250-18				1	
	Plastic spacer bag	SACSP625X250-20					1
*****	Hardware bag/Braceless (4xT)	SACSJF-4		2	2	1	1
*****	Hardware bag/Braceless (6xT)	SACSJF-6				1	1
	Bolt 1/4"-20 X 2 1/2"	B14x20x212		66	66	82	82
	Bolt 3/8"-16 X 3/4"	B38x16x34		50	50	62	62
	Nut 1/4"-20	N14x20		66	66	82	82
	Nut 3/8" X 16	N38x16s		26	26	32	32
**	Hardware bag/wall	1050000054		1	1	1	1
	Ox3/4	99-0023		31	31	31	31
	Flange nuts S/S 1/4-20 Serrated	2FGS422		31	31	31	31
	DVD installation	SACWB136876		1	1	1	1

\* In the hardware bag/pool you will find parts: #V12x34

\*\* In the hardware bag/wall you will find parts: #99-0023 - #2FGS422

\*\*\* In the hardware bag/pool you will find parts: #VHL121145

\*\*\*\* In the hardware bag/pool you will find parts: #FW10x34S

\*\*\*\*\* In the hardware bag/pool you will find parts: #B14x20x212 - #B38x16x34 - #N14x20 - #N38x16S



**Section  
1**

**GENERAL INSTRUCTIONS - BRACELESS OVAL POOLS  
GROUND PREPARATION**

**PARTS LISTING - CONTENTS**

<b>Product Description :</b>		<b>Inspiration Oval</b>		Revised Sept 2015				
<b>Product Code:</b>		<b>PINS-YE54RSRRRRF19</b>						
				Quantity required for installation (by pool size)				
<b>Index #</b>	<b>Description</b>	<b>Part #</b>	<b>Length</b>	<b>1219</b>	<b>1223</b>	<b>1526</b>	<b>1530</b>	<b>1833</b>
A	Top ledge (round sections)	SD777-001-R	56"	8	8	10	10	12
A	Top ledge (straight sections)	SD777-001-45	45"	4	6	6	8	8
B	Upright (straight sections)	SDT835-R12954M	53,750"	6	8	8	10	10
B	Upright (round sections)	SDT877-R10138M	53,750"	6	6	8	8	10
C	T unit	20801		6	8	8	10	10
D	Bottom plate (straight sections)	CG21120B		6	8	8	10	10
D	Bottom plate (round sections)	SD777-26300A		6	6	8	8	10
D	Top plate (straight sections)	CG20668A		6	6	8	8	10
D	Top plate (round sections)	CG21120A		6	8	8	10	10
E	Vertical sleeve	20509	52,875"	6	8	8	10	10
F	Brace plate	20809	47,000"	4	6	6	8	8
G	Stabilizer / Bottom rail (straight sections)	1514215	42,000"	8	12	12	16	16
G	Stabilizer / Bottom rail (round sections)	1525515	55,250"	12	12	16	16	20
G	Stabilizer/Bottom rail transition	1325315	54.125	4	4	4	4	4
H	Wall			1	1	1	1	1
I	Steel bars	11825		2	2	2	2	2
M	Horizontal sleeve with pen	20810	17,000"	6	8	8	10	10
M	Extruded polystyrene piece	1000100		6	8	8	10	10
M	Horizontal sleeve without pen	20802	17,000"	6	8	8	10	10
N	Ledge cover (round sections)	SD777-26100AB		6	6	8	8	10
N	Ledge cover (straight sections)	SD777-261000V		6	8	8	10	10
Q	Steel strap 60"	20560	59,750"	6	8	12	15	15
Q	Steel strap 26"	20526	26,000"	3	4			10
S	Bag of caps plugs	SACCAPCF777-12		1				
S	Bag of caps plugs	SACCAPCF777-14			1			
S	Bag of caps plugs	SACCAPCF777-16				1		
S	Bag of caps plugs	SACCAPCF777-18					1	
S	Bag of caps plugs	SACCAPCF777-20						1
	Round Coping	10296		14	15	18	20	22
*	Hardware bag/pool	SACV12X34-58	#12 screws 3/4	1				
*	Hardware bag/pool	SACV12X34-66	#12 screws 3/4		1			
*	Hardware bag/pool	SACV12X34-74	#12 screws 3/4			1		
*	Hardware bag/pool	SACV12X34-86	#12 screws 3/4				1	
*	Hardware bag/pool	SACV12X34-98	#12 screws 3/5					1
	Screw 12x3/4	V12x34		58	66	74	86	98
***	Hardware bag/pool	SACVHL12114-63	#12 screws 1 1/4	1				
***	Hardware bag/pool	SACVHL12114-74	#12 screws 1 1/4		1			
***	Hardware bag/pool	SACVHL12114-84	#12 screws 1 1/4			1		
***	Hardware bag/pool	SACVHL12114-95	#12 screws 1 1/4				1	
***	Hardware bag/pool	SACVHL12114-105	#12 screws 1 1/4					1
	Screw 12x1-1/4	VHL12x114S		63	74	84	95	105
****	Hardware bag/pool	SACFW10S34S-50	10X 3/4 flat washer	1				



# GENERAL INSTRUCTIONS - BRACELESS OVAL POOLS GROUND PREPARATION

## PARTS LISTING - CONTENTS

<b>Product Description :</b>		<b>Inspiration Oval</b>			Revised Sept 2015				
<b>Product Code:</b>		<b>PINS-YE54RSRRRF19</b>							
				Quantity required for installation (by pool size)					
Index #	Description	Part #	Length	1219	1223	1526	1530	1833	
****	Hardware bag/pool	SACFW10S34S-60	10X 3/4 flat washer		1				
****	Hardware bag/pool	SACFW10S34S-65	10X 3/4 flat washer			1			
****	Hardware bag/pool	SACFW10S34S-75	10X 3/4 flat washer				1		
****	Hardware bag/pool	SACFW10S34S-85	10X 3/4 flat washer					1	
	Flat washer	FW10x34S		50	60	65	75	85	
	Plastic spacer bag	SACSP625X250-12		1					
	Plastic spacer bag	SACSP625X250-14			1				
	Plastic spacer bag	SACSP625X250-16				1			
	Plastic spacer bag	SACSP625X250-18					1		
	Plastic spacer bag	SACSP625X250-20						1	
*****	Hardware bag/Braceless (4xT)	SACSF-4			2	2	1	1	
*****	Hardware bag/Braceless (6xT)	SACSF-6		1			1	1	
	Bolt 1/4"-20 X 2 1/2"	B14X20X212		49	66	66	82	82	
	Bolt 3/8"-16 X 3/4"	B38X16X34		37	50	50	62	62	
	Nut 1/4"-20	N14X20		49	66	66	82	82	
	Nut 3/8" X 16	N38X16S		19	26	26	32	32	
**	Hardware bag/wall	1050000054		1	1	1	1	1	
	Thru ss phill 18-8 bolts 18-8 1/4-0x3/4	99-0023		31	31	31	31	31	
	Flange nuts S/S 1/4-20 Serrated	2FGS422		31	31	31	31	31	
	DVD installation	SACWBI36876		1	1	1	1	1	

\* In the hardware bag/pool you will find parts: #V12x34

\*\* In the hardware bag/wall you will find parts: #99-0023 - #2FGS422

\*\*\* In the hardware bag/pool you will find parts: #VHL12114S

\*\*\*\* In the hardware bag/pool you will find parts: #FW10x34S

\*\*\*\*\* In the hardware bag/pool you will find parts: #B14x20x212 - #B38x16x34 - #N14x20 - #N38x16S

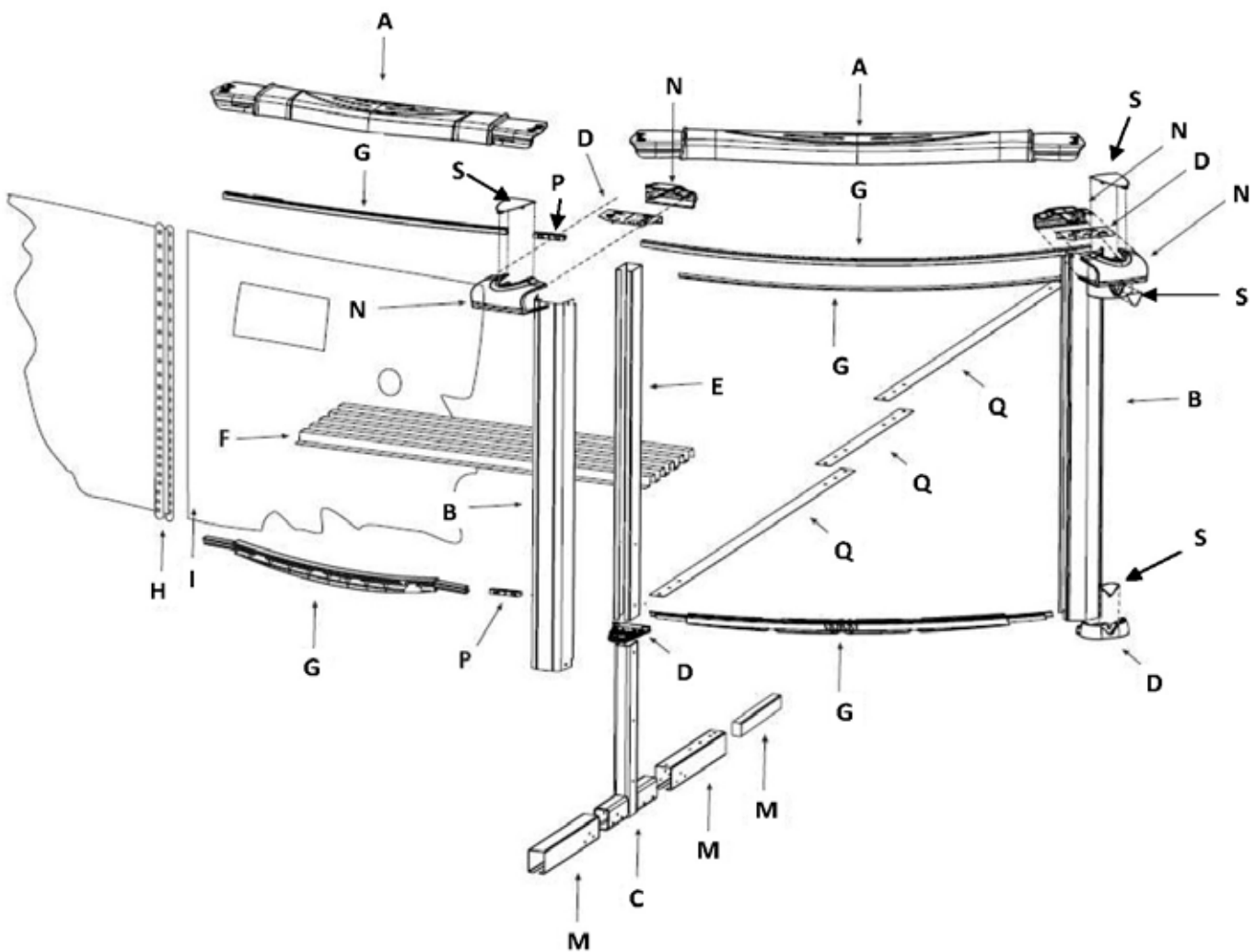
Section  
1

# GENERAL INSTRUCTIONS - BRACELESS OVAL POOLS GROUND PREPARATION

## PARTS LISTING - EXPLODED VIEW

### Inspiration RTR PINS-YE54RSRSRSF11 Yard Extender Oval

**!** Important Note:  
Make sure you have all the parts necessary before you start installation.



**!** Important Note:  
Do not throw away the extruded polystyrene sections.

# Section 1

## GENERAL INSTRUCTIONS - BRACELESS OVAL POOLS GROUND PREPARATION

### PARTS LISTING - CONTENTS

Product Description :		Inspiration Oval		Revised Sept 2015		
Product Code :		PINS-YE54RSRSRSF11				
				Quantity required for installation (by pool size)		
Index #	Description	Part #	Length	1223	1530	1833
A	Top ledge (round sections)	SD777-001-R	56"	8	10	12
A	Top ledge (straight sections)	SD777-001-45	45"	6	8	8
B	Upright (straight sections)	SDT835-R12954M	53,750"	8	10	10
B	Upright (round sections)	SDT877-R10138M	53,750"	6	8	10
C	T unit	20801		8	10	10
D	Bottom plate (straight sections)	CG21120B		8	10	10
D	Bottom plate (round sections)	SD777-26300A		6	8	10
D	Top plate (straight sections)	21134		8	10	10
D	Top plate (round sections)	20668A		6	8	10
E	Vertical sleeve	20509	51,000"	8	10	10
F	Brace plate	20809	47,000"	6	8	8
G	Stabilizer 38" straight section	LA1254138	38,000"	6	8	8
G	Stabilizer 54" – 12' dia.	LA1255412	54,250"	4		
G	Stabilizer 54" – 15' dia.	LA1255415	54,320"		4	
G	Stabilizer 54" – 18' dia.	LA1255418	54,320"			4
G	Stabilizer 56" – 12' dia.	LA1255612	55,750"	4		
G	Stabilizer 56" – 15' dia.	LA1255615	55,875"		6	
G	Stabilizer 56" – 18' dia.	LA1255618	55,875"			8
G	Bottom rail (straight sections)	1514215	42,000"	6	8	8
G	Bottom rail (round sections)	1525515		4	6	8
G	Bottom rail	1325315		4	4	4
H	Steel bar	11825	54,000"	2	2	2
I	Wall			1	1	1
M	Horizontal sleeve with pen	20810	17,000"	8	10	10
M	Extruded polystyrene piece	1000100		8	10	10
M	Horizontal sleeve without pen	20802	17,000"	8	10	10
N	Ledge cover (round sections)	SD777-26100AB		6	8	10
N	Ledge cover (straight sections)	SD777-26100OV		8	10	10
P	Junction wall channel	12539		16	20	20
Q	Steel strap 60"	20560	59,750"	8	15	15
Q	Steel strap 26"	20526	26,000"	4		10
S	Bag of caps plugs	SACCAPCF777-14		1		
S	Bag of caps plugs	SACCAPCF777-18			1	
S	Bag of caps plugs	SACCAPCF777-20				1
	Kit 3 plug Inspiration	CAPCF777		14	18	20
****	Wall intersectiong channel bag	SAC12539-16		1		
****	Wall intersectiong channel bag	SAC12539-20			1	1
*	Hardware bag/pool	SACV12X34-66	#12 screws 3/4	1		
*	Hardware bag/pool	SACV12X34-86	#12 screws 3/4		1	
*	Hardware bag/pool	SACV12X34-98	#12 screws 3/4			1
	Screw 12x3/4	V12x34		66	86	98
***	Hardware bag/pool	SACVHL12114-74	#12 screws 1 1/4	1		
***	Hardware bag/pool	SACVHL12114-95	#12 screws 1 1/4		1	
***	Hardware bag/pool	SACVHL12114-105	#12 screws 1 1/4			1



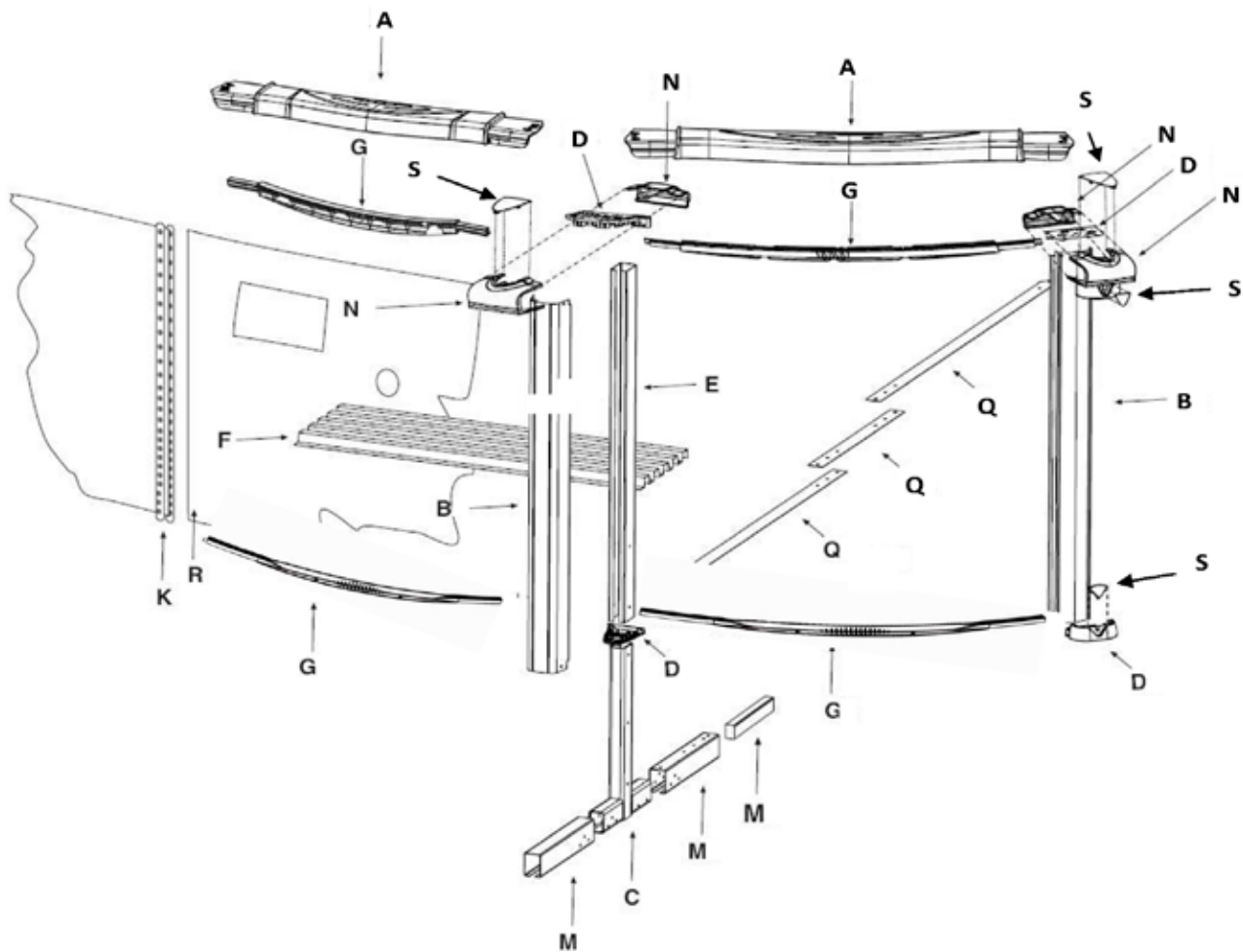
Section  
1

# GENERAL INSTRUCTIONS - BRACELESS OVAL POOLS GROUND PREPARATION

## PARTS LISTING - EXPLODED VIEW

**Regency RTR Burgundy  
PREG-YE52RSRRRF41  
Yard Extender  
Oval**

**⚠ Important Note:**  
Make sure you have all the parts necessary before you start installation.



**⚠ Important Note:**  
Do not throw away the extruded polystyrene sections.



**Section  
1**

**GENERAL INSTRUCTIONS - BRACELESS OVAL POOLS  
GROUND PREPARATION**

**PARTS LISTING - CONTENTS**

<b>Product Description :</b>				<b>Regency Oval Burgundy</b>				Revised Sept 2015			
<b>Product Code:</b>				<b>PREG-52RSRRRRF41</b>							
				Quantity required for installation (by pool size)							
<b>Index #</b>	<b>Description</b>	<b>Part #</b>	<b>Length</b>	<b>1223</b>	<b>1526</b>	<b>1530</b>	<b>1833</b>				
A	Top ledge (round sections)	SD777-001-R		8	10	10	12				
A	Top ledge (straight sections)	SD777-001-45		6	6	8	8				
B	Upright (straight sections)	MOT735-R12954M	51,750"	8	8	10	10				
B	Upright (round sections)	MOT777-R10138M	51,750"	6	8	8	10				
C	T unit	20801		8	8	10	10				
D	Bottom plate (straight sections)	CG21120B		8	8	10	10				
D	Bottom plate (round sections)	BU777-26300A		6	8	8	10				
D	Top plate (round sections)	CG20668A		6	8	8	10				
D	Top plate (straight sections)	CG21120A		8	8	10	10				
E	Vertical sleeve	20506	51,000"	8	8	10	10				
F	Brace plate	20809	47,000"	6	6	8	8				
G	Stabilizer / Bottom rail (straight sections)	1514215	42,000"	12	12	16	16				
G	Stabilizer / Bottom rail (round sections)	1525515	55,250"	12	16	16	20				
G	Stabilizer/bottom rail (transition)	1325315	54.125	4	4	4	4				
K	Steel bars	11823	52,000"	2	2	2	2				
M	Horizontal sleeve with pen	20810	17,000"	8	8	10	10				
M	Extruded polystyrene piece	1000100		8	8	10	10				
M	Horizontal sleeve without pen	20802	17,000"	8	8	10	10				
N	Ledge cover (round sections)	BU777-26100AB		6	8	8	10				
N	Ledge cover (straight sections)	BU777-26100OV		8	8	10	10				
Q	Steel strap 60"	20560	59,750"	8	12	15	15				
Q	Steel strap 26"	20526	26,000"	4			10				
R	Wall			1	1	1	1				
S	Caps bag	SACCAPCH777-14		1							
S	Caps bag	SACCAPCH777-16			1						
S	Caps bag	SACCAPCH777-18				1					
S	Caps bag	SACCAPCH777-20					1				
*	Hardware bag/pool	SACV12X34-58	#12 SCREWS 3/4"	1							
*	Hardware bag/pool	SACV12X34-66	#12 SCREWS 3/4"		1						
*	Hardware bag/pool	SACV12X34-74	#12 SCREWS 3/4"			1					
*	Hardware bag/pool	SACV12X34-86	#12 SCREWS 3/4"				1				
	Screw 12x3/4	V12x34		58	66	74	83				
	Bag of plastic spacers	SACSP625X250-14		1							
	Bag of plastic spacers	SACSP625X250-16			1						
	Bag of plastic spacers	SACSP625X250-18				1					
	Bag of plastic spacers	SACSP625X250-20					1				
***	Hardware bag/pool	SACVHL12114-74		1							
***	Hardware bag/pool	SACVHL12114-84			1						
***	Hardware bag/pool	SACVHL12114-95				1					
***	Hardware bag/pool	SACVHL12114-105					1				



# GENERAL INSTRUCTIONS - BRACELESS OVAL POOLS GROUND PREPARATION

## PARTS LISTING - CONTENTS

<b>Product Description :</b>				<small>Revised Sept 2015</small>			
<b>Product Code:</b>				<b>Regency Oval Burgundy PREG-52RSRRRRF41</b>			
				<small>Quantity required for installation (by pool size)</small>			
Index #	Description	Part #	Length	1223	1526	1530	1833
	Screw 12x1-1/4S	VHL12X114S		14	16	18	20
****	Hardware bag/pool	SACFW10X34S-60	10x3/4 Flat washer	1			
****	Hardware bag/pool	SACFW10X34S-65	10x3/4 Flat washer		1		
****	Hardware bag/pool	SACFW10X34S-75	10x3/4 Flat washer			1	
****	Hardware bag/pool	SACFW10X34S-85	10x3/4 Flat washer				1
	Flat washer	FW10x34S		60	65	75	85
*****	Hardware bag/pool	SACSJF-4		2	2	1	1
*****	Hardware bag/pool	SACSJF-6				1	1
	Bolt hex1/4"-20 X 2 1/2"	B14X20X212		66	66	82	82
	Bolt 3/8"-16 X 3/4"	B38X16X34		50	50	62	62
	Nut 1/4"-20	N14X20		66	66	82	82
	Nut 3/8" X 16	N38X16S		26	26	32	32
**	Hardware bag/wall	1050000054		1	1	1	1
	Thru phill 18/8 bolts 18/8 1/4-0x3/4	99-0023		31	31	31	31
	Flange nuts S/S 1/4-20 Serrated	2FGS422		31	31	31	31
	DVD installation	SACWBI36876		1	1	1	1

\* In the hardware bag/pool you will find parts: #V12x34

\*\* In the hardware bag/wall you will find parts: #99-0023 - #2FGS422

\*\*\* In the hardware bag/pool you will find parts: #VHL12114S

\*\*\*\* In the hardware bag/pool you will find parts: #FW10x34S

\*\*\*\*\* In the hardware bag/pool you will find parts: #B14x20x212 - #B38x16x34 - #N14x20 - #N38x16S

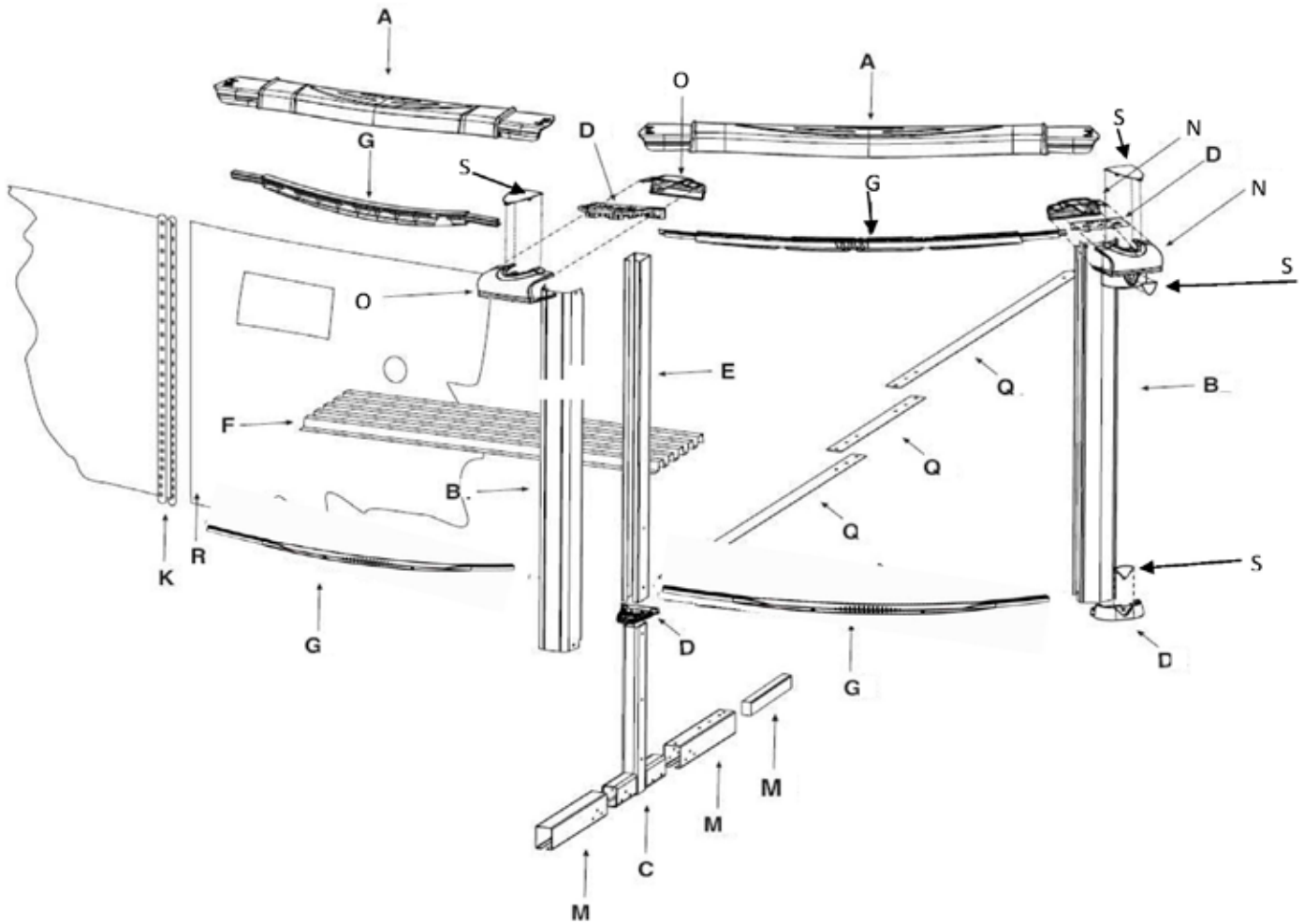
Section  
1

**GENERAL INSTRUCTIONS - BRACELESS OVAL POOLS  
GROUND PREPARATION**

**PARTS LISTING - EXPLODED VIEW**

**Regency RTR  
PREG-YE52RSRRRF41  
Yard Extender  
Oval**

**⚠ Important Note:**  
Make sure you have all the parts necessary before you start installation.



**⚠ Important Note:**  
Do not throw away the extruded polystyrene sections.

**Section  
1**

**GENERAL INSTRUCTIONS - BRACELESS OVAL POOLS  
GROUND PREPARATION**

**PARTS LISTING - CONTENTS**

<b>Product Description :</b>		<b>Regency Oval</b>		Revised Sept 2015			
<b>Product Code:</b>		<b>PREG-52RSRRRRF41</b>					
				Quantity required for installation (by pool size)			
<b>Index #</b>	<b>Description</b>	<b>Part #</b>	<b>Length</b>	<b>1223</b>	<b>1526</b>	<b>1530</b>	<b>1833</b>
A	Top ledge (round sections)	SD777-001-R		8	10	10	12
A	Top ledge (straight sections)	SD777-001-45		6	6	8	8
B	Upright (straight sections)	MOT735-R12954M	51,750"	8	8	10	10
B	Upright (round sections)	MOT777-R10138M	51,750"	6	8	8	10
C	T unit	20801		8	8	10	10
D	Bottom plate (straight sections)	CG21120B		8	8	10	10
D	Bottom plate (round sections)	CB777-26300A		6	8	8	10
D	Top plate (round sections)	CG20668A		6	8	8	10
D	Top plate (straight sections)	CG21120A		8	8	10	10
E	Vertical sleeve	20506	51,000"	8	8	10	10
F	Brace plate	20809	47,000"	6	6	8	8
G	Stabilizer / Bottom rail (straight sections)	1514215	42,000"	12	12	16	16
G	Stabilizer / Bottom rail (round sections)	1525515	55,250"	12	16	16	20
G	Bottom rail (transition)	1325315	54.125	4	4	4	4
K	Steel bars	11823	52,000"	2	2	2	2
M	Horizontal sleeve with pen	20810	17,000"	8	8	10	10
M	Extruded polystyrene piece	1000100		8	8	10	10
M	Horizontal sleeve without pen	20802	17,000"	8	8	10	10
N	Ledge cover (round sections)	CB777-26100AB		6	8	8	10
O	Ledge cover (straight sections)	CB777-26100OV		8	8	10	10
Q	Steel strap 60"	20560	59,750"	8	12	15	15
Q	Steel strap 26"	20526	26,000"	4			10
R	Wall			1	1	1	1
*	Hardware bag/pool	SACV12X34-58	#12 SCREWS 3/4"	1			
*	Hardware bag/pool	SACV12X34-66	#12 SCREWS 3/4"		1		
*	Hardware bag/pool	SACV12X34-74	#12 SCREWS 3/4"			1	
*	Hardware bag/pool	SACV12X34-86	#12 SCREWS 3/4"				1
	Screw 12x3/4	V12x34		58	66	74	86
	Bag of plastic spacers	SACSP625X250-14		1			
	Bag of plastic spacers	SACSP625X250-16			1		
	Bag of plastic spacers	SACSP625X250-18				1	
	Bag of plastic spacers	SACSP625X250-20					1
*****	Plastic spacer 0.625"x 0.50"	SP0625X0250		14	16	18	20
***	Hardware bag/pool	SACVHL12114-74		1			
***	Hardware bag/pool	SACVHL12114-84			1		
***	Hardware bag/pool	SACVHL12114-95				1	
***	Hardware bag/pool	SACVHL12114-105					1
	Screw 12x1-1/4	VHL12x114S		74	84	95	105
****	Hardware bag/pool	SACFW10X34S-60	10x3/4 Flat washer	1			
****	Hardware bag/pool	SACFW10X34S-65	10x3/4 Flat washer		1		

**Section  
1**

**GENERAL INSTRUCTIONS - BRACELESS OVAL POOLS  
GROUND PREPARATION**

**PARTS LISTING - CONTENTS**

<b>Product Description :</b>		<b>Regency Oval</b>		Revised Sept 2015			
<b>Product Code:</b>		<b>PREG-52RSRRRRF41</b>					
				Quantity required for installation (by pool size)			
<b>Index #</b>	<b>Description</b>	<b>Part #</b>	<b>Length</b>	<b>1223</b>	<b>1526</b>	<b>1530</b>	<b>1833</b>
****	Hardware bag/pool	SACFW10X34S-75	10x3/4 Flat washer			1	
****	Hardware bag/pool	SACFW10X34S-85	10x3/4 Flat washer				1
	Flat washer	FW10x34S		60	65	75	85
*****	Hardware bag/pool	SACSJF-4		2	2	1	1
*****	Hardware bag/pool	SACSJF-6				1	1
	Bolt hex1/4"-20 X 2 1/2"	B14X20X212		66	66	82	82
	Bolt 3/8"-16 X 3/4"	B38X16X34		50	50	62	62
	Nut 1/4"-20	N14X20		66	66	82	82
	Nut 3/8" X 16	N38X16S		26	26	32	32
S	Caps bag	SACCAPCH777-14		1			
S	Caps bag	SACCAPCH777-16			1		
S	Caps bag	SACCAPCH777-18				1	
S	Caps bag	SACCAPCH777-20					1
*****	Kit 3 caps	CAPCH777		14	16	18	20
**	Hardware bag/wall	1050000054		1	1	1	1
	Thru shill 18/8 bolts 18/8 1/4-0x3/4	99-0023		31	31	31	31
	Flange nuts S/S 1/4-20 Serrated	2FGS422		31	31	31	31
	DVD installation	SACWBI36876		1	1	1	1

\* In the hardware bag/pool you will find parts: #V12x34

\*\* In the hardware bag/wall you will find parts: #99-0023 - #2FGS422

\*\*\* In the hardware bag/pool you will find parts: #VHL12114S

\*\*\*\* In the hardware bag/pool you will find parts: #FW10x34S

\*\*\*\*\* In the hardware bag/pool you will find parts: #B14x20x212 - #B38x16x34 - #N14x20 - #N38x16S

\*\*\*\*\* In the bag of plastic spacers you will find parts: #SP0625X0250

\*\*\*\*\* In the Cap bag you will find parts: #CAPCH777

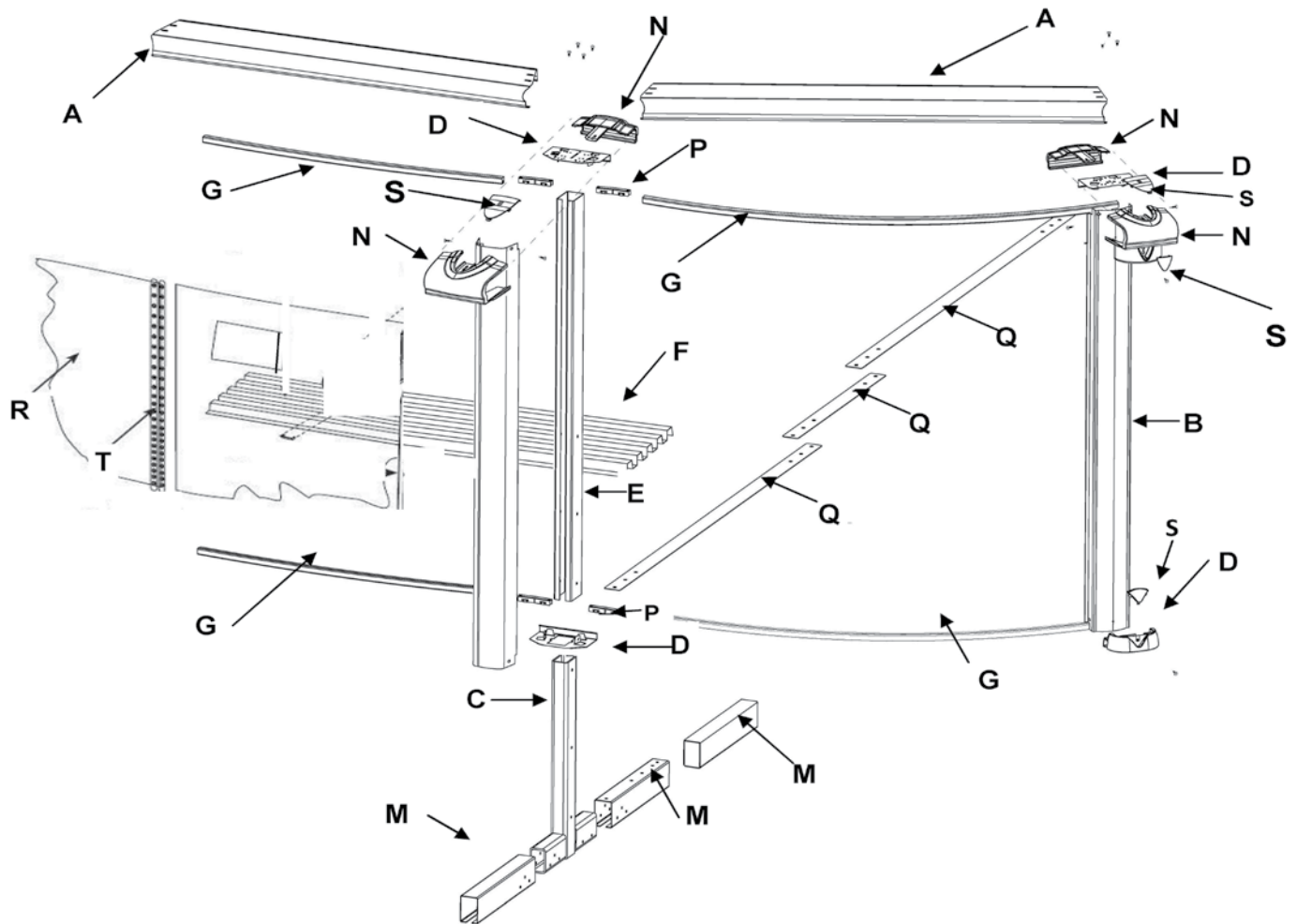
Section  
1

# GENERAL INSTRUCTIONS - BRACELESS OVAL POOLS GROUND PREPARATION

## PARTS LISTING - EXPLODED VIEW

Regency STR  
PREG-YE52SSPSRSF41  
Yard Extender  
Oval

**!** Important Note:  
Make sure you have all the parts necessary before you start installation.



**!** Important Note:  
Do not throw away the extruded polystyrene sections.



**Section  
1**

**GENERAL INSTRUCTIONS - BRACELESS OVAL POOLS  
GROUND PREPARATION**

**PARTS LISTING - CONTENTS**

<b>Product Description:</b>		<b>Regency STR Oval</b>		Revised Sept 2015				
<b>Product Code:</b>		<b>PREG-YE52SSPSRSF41</b>						
				Quantity required for installation (by pool size)				
<b>Index#</b>	<b>Description</b>	<b>Part #</b>	<b>Length</b>	<b>1219</b>	<b>1223</b>	<b>1526</b>	<b>1530</b>	<b>1833</b>
A	Top ledge 45"	SDT776-1296145	45,000"	8	8			
A	Top ledge 48"	SDT776-1296148	48,000"			10	10	
A	Top ledge 49"	SDT776-1296149	49,750"					12
A	Top ledge 44"(straight section)	SDT776-1296144	44,000"	6	8	8	10	10
B	Upright (straight section)	MOT735-R12954M	51,750"	4	6	6	8	8
B	Upright (oval section)	MOT777-R10138M	51,750"	10	10	12	12	14
C	T unit	20801		4	6	6	8	8
D	Top plate (round section)	20668A		10	10	12	12	14
D	Bottom plate (round section)	CB777-26300A		10	10	12	12	14
D	Bottom plate (straight section)	21124		4	6	6	8	8
D	Top plate (straight section)	21134		4	6	6	8	8
E	Vertical sleeve	20506	51,000"	4	6	6	8	8
F	Brace plate	20809	47,000"	2	4	4	6	6
G	Stabilizer/Bottom rail 38" (straight sect)	LA1254138	38,000"	4	8	8	12	12
G	Stabilizer/Bottom rail 41"	LA1254141	41,000"	8	8	8	8	8
G	Stabilizer/Bottom rail 12" dia	LA1254412	44-5/8"	16	16			
G	Stabilizer/Bottom rail 15' dia.	LA1254715	47,750"			20	20	
G	Stabilizer/Bottom rail 18' dia.	LA1254918	49,125"					24
M	Horizontal sleeve with pen	20810	17,000"	4	6	6	8	8
M	Extruded polystyrene piece	1000100		4	6	6	8	8
M	Horizontal sleeve without pen	20802	17,000"	4	6	6	8	8
N	Ledge cover (round section)	CB777-26100AB		10	10	12	12	14
N	Ledge cover (straight section)	CB777-26100OV		4	6	6	8	8
P	Junction stabilizer	12539		16	24	24	32	32
Q	Steel strap 60"	20560	59,750"	4	6	9	12	12
Q	Steel strap 26"	20526	26,000"	2	3			8
R	Steel wall		52,000"	1	1	1	1	1
S	Bag of caps plugs	SACCAPCH777-14		1				
S	Bag of caps plugs	SACCAPCH777-16			1			
S	Bag of caps plugs	SACCAPCH777-18				1		
S	Bag of caps plugs	SACCAPCH777-20					1	
S	Bag of caps plugs	SACCAPCH777-22						1
T	Steel bar	11823	52,000"	1	1	1	1	1
*	Hardware bag/pool	SACV12X34-133	#12 screws 3/4"	1				
*	Hardware bag/pool	SACV12X34-153	#12 screws 3/4"		1			
*	Hardware bag/pool	SACV12X34-169	#12 screws 3/4"			1		
*	Hardware bag/pool	SACV12X34-191	#12 screws 3/4"				1	
*	Hardware bag/pool	SACV12X34-215	#12 screws 3/4"					1
	Screw 12x3/4	V12x34		133	153	169	191	215
	Hardware bag/pool	SACSJF-4		1			2	2

**Section  
1**

**GENERAL INSTRUCTIONS - BRACELESS OVAL POOLS  
GROUND PREPARATION**

**PARTS LISTING - CONTENTS**

<b>Product Description:</b>		<b>Regency STR Oval</b>		Revised Sept 2015				
<b>Product Code:</b>		<b>PREG-YE52SSPSRSF41</b>						
				Quantity required for installation (by pool size)				
<b>Index#</b>	<b>Description</b>	<b>Part #</b>	<b>Length</b>	<b>1219</b>	<b>1223</b>	<b>1526</b>	<b>1530</b>	<b>1833</b>
	Hardware bag/pool	SACSJF-6			1	1		
	Bolt hex1/4"-20 X 2 1/2"	B14X20X212		33	49	49	66	66
	Bolt 3/8"-16 X 3/4"	B38X16X34		25	37	37	50	50
	Nut 1/4"-20	N14X20		33	49	49	66	66
	Nut 3/8" X 16	N38X16S		13	19	19	26	26
**	Hardware bag/wall	1050000054		1	1	1	1	1
	Thru ss phill 18-8 bolts 18-8 1/4-0x3/4	99-0023		31	31	31	31	31
	Flange nuts S/S 1/4-20 Serrated	2FGS422		31	31	31	31	31
	Instruction DVD	SACWBI36876		1	1	1	1	1

\* In the hardware bag/pool you will find parts: #V12x34

\*\* In the hardware bag/wall you will find parts: #99-0023 - #2FGS422





**Section  
1**

**GENERAL INSTRUCTIONS - BRACELESS OVAL POOLS  
GROUND PREPARATION**

**PARTS LISTING - CONTENTS**

<b>Product Description :</b>		<b>Regency Oval</b>		<small>Revised Sept 2015</small>			
<b>Product Code:</b>		<b>PREG-54RSRRRRF49</b>					
<b>Index #</b>	<b>Description</b>	<b>Part #</b>	<b>Length</b>	<b>Quantity required for installation (by pool size)</b>			
				<b>1219</b>	<b>1223</b>	<b>1530</b>	<b>1833</b>
A	Top ledge (round sections)	SD777-001-R		8	8	10	12
A	Top ledge (straight sections)	SD777-001-45		4	6	8	8
B	Upright (straight sections)	MOT835-R12954M	51,750"	6	8	10	10
B	Upright (round sections)	MOT877-R10138M	51,750"	6	6	8	10
C	T unit	20801		6	8	10	10
D	Bottom plate (straight sections)	CG21120B		6	8	10	10
D	Bottom plate (round sections)	CB777-26300A		6	6	8	10
D	Top plate (round sections)	CG20668A		6	6	8	10
D	Top plate (straight sections)	CG21120A		6	8	10	10
E	Vertical sleeve	20509	52,875	6	8	10	10
F	Brace plate	20809	47,000"	4	6	8	8
G	Stabilizer / Bottom rail (straight sections)	1514215	42,000"	8	12	16	16
G	Stabilizer / Bottom rail (round sections)	1525515	55,250"	12	12	16	20
G	Bottom rail (transition)	1325315	54.125	4	4	4	4
K	Steel bars	11823	52,000"	2	2	2	2
M	Horizontal sleeve with pen	20810	17,000"	6	8	10	10
M	Extruded polystyrene piece	1000100		6	8	10	10
M	Horizontal sleeve without pen	20802	17,000"	6	8	10	10
N	Ledge cover (round sections)	CB777-26100AB		6	6	8	10
O	Ledge cover (straight sections)	CB777-26100OV		6	8	10	10
Q	Steel strap 60"	20560	59,750"	6	8	15	15
Q	Steel strap 26"	20526	26,000"	3	4		10
R	Wall			1	1	1	1
*	Hardware bag/pool	SACV12X34-58	#12 SCREWS 3/4"	1	1		
*	Hardware bag/pool	SACV12X34-66	#12 SCREWS 3/4"				
*	Hardware bag/pool	SACV12X34-74	#12 SCREWS 3/4"			1	
*	Hardware bag/pool	SACV12X34-86	#12 SCREWS 3/4"				1
	Screw 12x3/4	V12x34		58	58	74	86
	Bag of plastic spacers	SACSP625X250-12		1			
	Bag of plastic spacers	SACSP625X250-14			1		
	Bag of plastic spacers	SACSP625X250-16					
	Bag of plastic spacers	SACSP625X250-18				1	
	Bag of plastic spacers	SACSP625X250-20					1
*****	Plastic spacer 0.625"x 0.50"	SP0625X0250		12	14	18	20
***	Hardware bag/pool	SACVHL12114-63		1			
***	Hardware bag/pool	SACVHL12114-74			1		
***	Hardware bag/pool	SACVHL12114-84					
***	Hardware bag/pool	SACVHL12114-95				1	
***	Hardware bag/pool	SACVHL12114-105					1
	Screw 12x1-1/4	VHL12x114S		63	74	95	105
****	Hardware bag/pool	SACFW10X34S-50	10x3/4 Flat washer	1			
****	Hardware bag/pool	SACFW10X34S-60	10x3/4 Flat washer		1		
****	Hardware bag/pool	SACFW10X34S-65	10x3/4 Flat washer				

**Section  
1**

**GENERAL INSTRUCTIONS - BRACELESS OVAL POOLS  
GROUND PREPARATION**

**PARTS LISTING - CONTENTS**

<b>Product Description :</b>		<b>Regency Oval</b>		<small>Revised Sept 2015</small>			
<b>Product Code:</b>		<b>PREG-54RSRRRRF49</b>					
				<small>Quantity required for installation (by pool size)</small>			
<b>Index #</b>	<b>Description</b>	<b>Part #</b>	<b>Length</b>	<b>1219</b>	<b>1223</b>	<b>1530</b>	<b>1833</b>
****	Hardware bag/pool	SACFW10X34S-75	10x3/4 Flat washer			1	
****	Hardware bag/pool	SACFW10X34S-85	10x3/4 Flat washer				1
	Flat washer	FW10x34S		50	60	75	85
*****	Hardware bag/pool	SACSJF-4			2	1	1
*****	Hardware bag/pool	SACSJF-6		1		1	1
	Bolt hex1/4"-20 X 2 1/2"	B14X20X212		49	66	82	82
	Bolt 3/8"-16 X 3/4"	B38X16X34		37	50	62	62
	Nut 1/4"-20	N14X20		49	66	82	82
	Nut 3/8" X 16	N38X16S		19	26	32	32
S	Caps bag	SACCAPCH777-12		1			
S	Caps bag	SACCAPCH777-14			1		
S	Caps bag	SACCAPCH777-16					
S	Caps bag	SACCAPCH777-18				1	
S	Caps bag	SACCAPCH777-20					1
*****	Kit 3 caps	CAPCH777		12	14	18	20
**	Hardware bag/wall	1050000054		1	1	1	1
	Thru phill 18/8 bolts 18/8 1/4-0x3/4	99-0023		31	31	31	31
	Plastic coping	10296		14	15	20	22
	Flange nuts S/S 1/4-20 Serrated	2FGS422		31	31	31	31
	DVD installation	SACWBI36876		1	1	1	1

\* In the hardware bag/pool you will find parts: #V12x34

\*\* In the hardware bag/wall you will find parts: #99-0023 - #2FGS422

\*\*\* In the hardware bag/pool you will find parts: #VHL12114S

\*\*\*\* In the hardware bag/pool you will find parts: #FW10x34S

\*\*\*\*\* In the hardware bag/pool you will find parts: #B14x20x212 - #B38x16x34 - #N14x20 - #N38x16S

\*\*\*\*\* In the bag of plastic spacers you will find parts: #SP0625X0250

\*\*\*\*\* In the Cap bag you will find parts: #CAPCH777



# Section 1

## GENERAL INSTRUCTIONS - BRACELESS OVAL POOLS GROUND PREPARATION

### READ ALL INSTRUCTIONS CAREFULLY

The approximate time it takes for installation, excluding earthworks and filling is about 1 day.  
You will need at least 3 people to help with installation.

#### A. DETERMINE THE LOCATION OF YOUR POOL

##### 1. The Terrain

Pay special attention to choosing the right location for your pool:

- Choose a large area, as flat and level as possible and well drained. **(Image 1)**

- Choose a spot on dry, firm earth (stabilizer or other)—do not install the pool on asphalt, tar or oil based surfaces, gravel, peat moss, wood or chemically treated soil.

- Check with your pool dealer to see if Nut Grass grows in your area. This type of grass may grow up through your pool liner. Your dealer will be able to advise how best to treat the site.

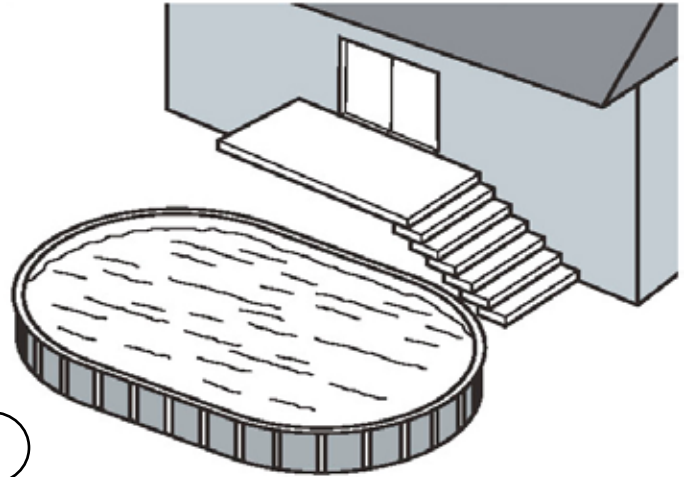
- Sloped areas will need to be made level by digging away high spots, not by filling low spots—be prepared to hire earth-moving equipment if necessary.

**(Images 2a & 2b)**

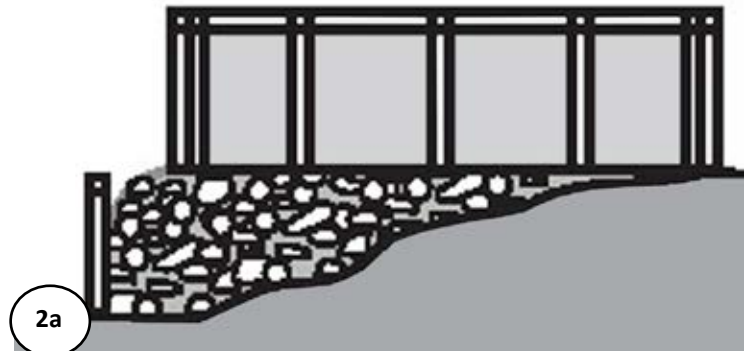
- Ensure the earth is well compacted and a wall is placed to prevent the earth from seeping out.

**(Image 2a)**

- If you need to install partly in the ground, you must contact your dealer to see if this is an option for you and that you meet law requirements in your jurisdiction. **(Image 2c)**



1



2a



2b



2c



#### Important Note:

Ground preparation is one of the most important steps in the installation process. A proper foundation will ensure the rest of the pool assembly goes smoothly and that no problems will occur when the pool is filled with water.

## Section 1

# GENERAL INSTRUCTIONS - BRACELESS OVAL POOLS GROUND PREPARATION

## A. CONT. DETERMINE THE LOCATION OF YOUR POOL

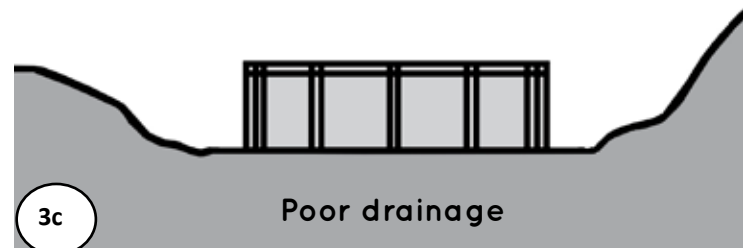
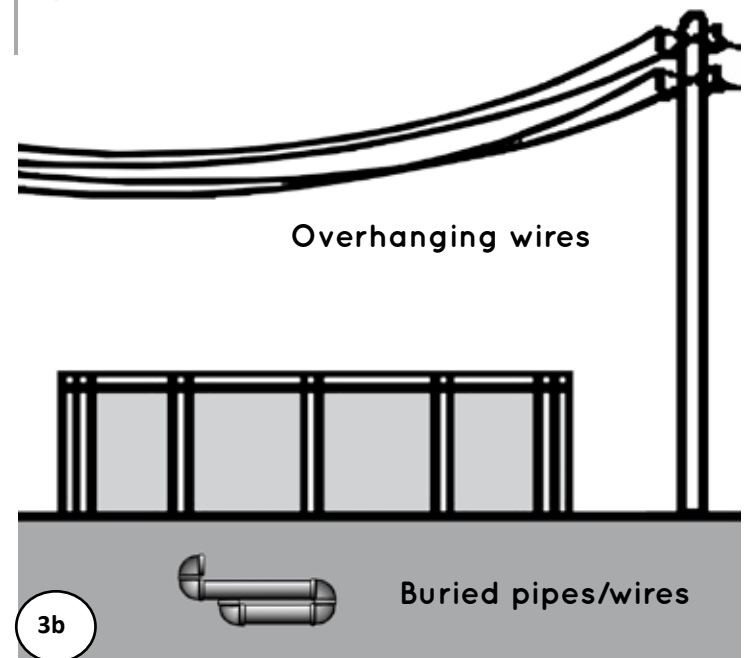
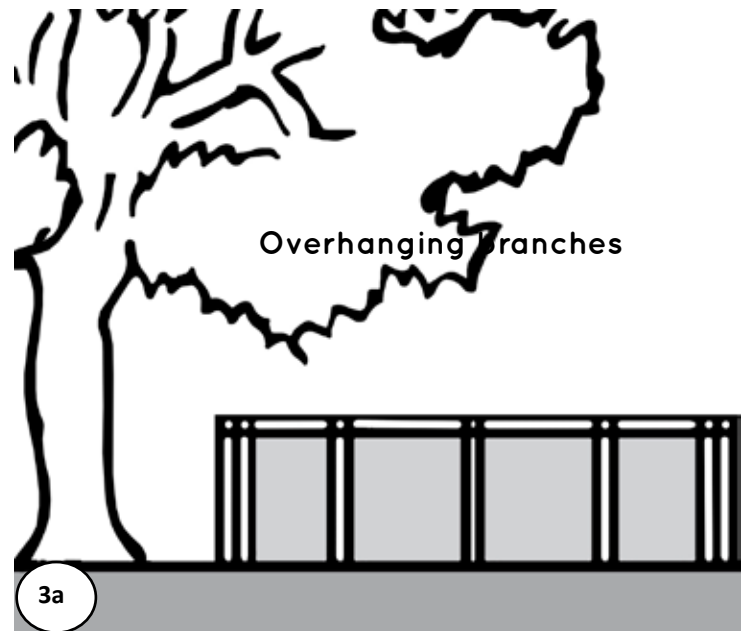
### 2. Things to Avoid

Do not locate your pool near or on any of the following (*Images 3a to 3c*):

- Overhanging tree branches.
- Overhead wires and clotheslines.
- Buried pipes and wires. Contact your gas, electric and telephone utilities to find buried pipes and wires before you dig.
- Areas with poor drainage.
- Grass, stones and roots. Grass will rot underneath the pool liner, and stones and roots will damage the pool liner.
- Areas recently treated with oil-based weed killers, chemicals or fertilizers.

### 3. Plan Ahead

- Will you be adding an adjacent deck later? Be sure to leave room.
- Will you be using pool accessories or other appliances that need electricity or gas? Locate your pool near these services or plan to have them installed later by a licensed contractor.



### Important Note:

When locating the centre of the pool, be sure to take into consideration any structures (deck, patio, house) or relevant items (change rooms, gazebo, etc.) that the pool may need to line up with and ensure that the pool is in the most visual pleasing location for your property.

# Section 1

## GENERAL INSTRUCTIONS - BRACELESS OVAL POOLS GROUND PREPARATION

### A. CONT. DETERMINE THE LOCATION OF YOUR POOL

#### 4. Tools Needed



Compactor



Hammer



Water hose



Level



File



Vacuum cleaner



Pliers



Rake



Lawn roller



Metal snips



Screwdriver



Wheelbarrow



Shovel



Spray paint



Mallet



Measuring tape



Duct tape



Trowel



Wrench

#### List of required materials

- Straight wood plank
- Material that provides a permanent base (ex. Crushed stone)
- Fine sand (void of debris)
- Cement blocks (5cm x 20cm x 40cm / 2"x 8"x16") (optional)
- 2x Plywood (60cm x 120cm / 2ft x 4ft)
- Wood board (30cm x 20cm / 1ft x 1ft)
- Vinyl covered hooks (to hold wall steady)
- String and stakes & wooden pegs
- Prefabricated cove sections (optional)
- Pool carpeting (optional)
- Rope
- Polyethylene Plastic Sheeting



- Optical Level  
Can be useful for precise measurements



# Section 1

## GENERAL INSTRUCTIONS - BRACELESS OVAL POOLS GROUND PREPARATION

### B. PREPARE THE FOUNDATION OF YOUR POOL

#### 1. Mark out the Area

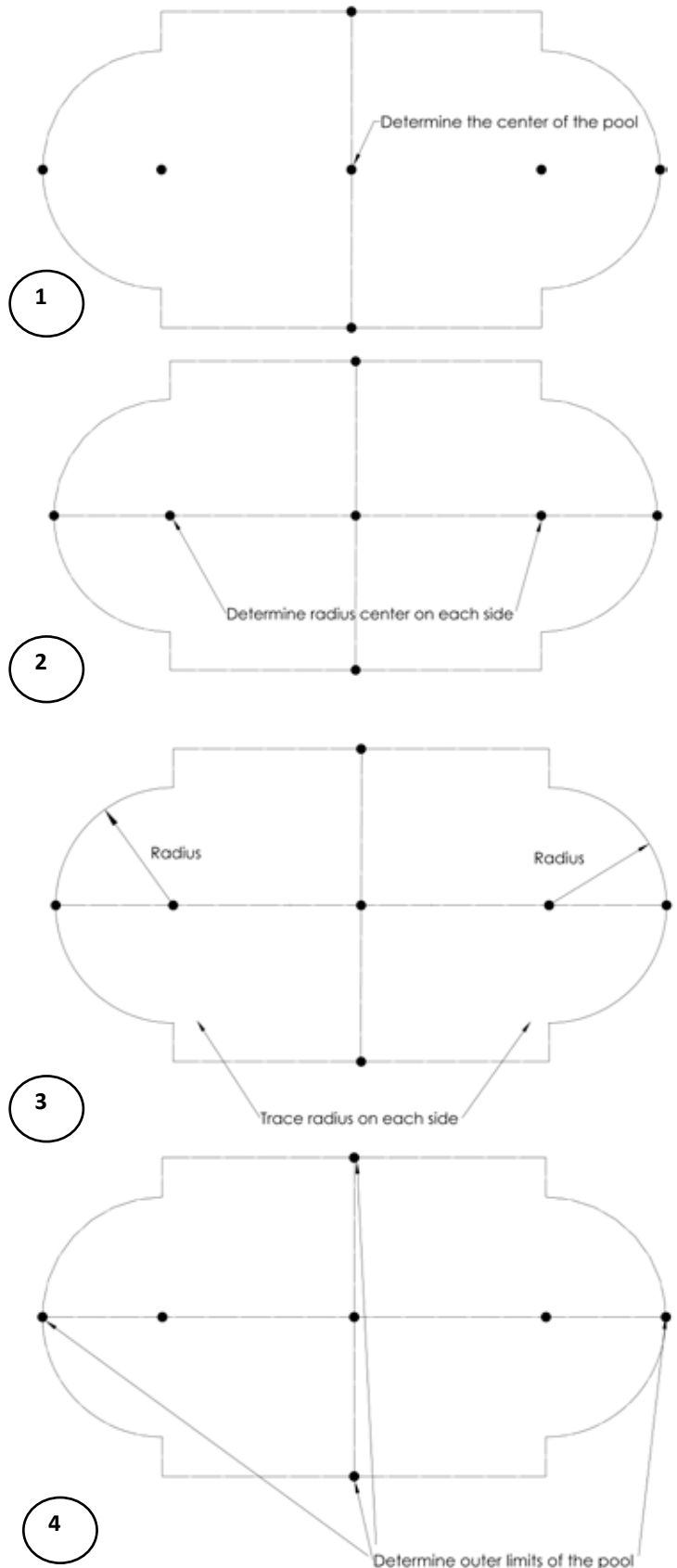
- a. The next following steps will show you how to mark out the area you need for the oval pool. This marked area will be larger than the pool size itself, but this space is needed. Find a site where the ground is stable, level and well drained. Once you have selected your site, determine where the middle of your pool will be.

#### See Diagrams:

Please see in the next page for an **EXAMPLE** on how to correctly mark your pool area.

Please verify your pool's **FOOTPRINT** for correct measurements on the last pages of this Section 1.

- b. Drive a peg into the ground at the centre point.  
*(Image 1)*
- c. Now you must make the round ends that will be the oval part. In order to do so, you will have to determine the center of the radius on each side and drive a peg into the ground. *(Image 2)*
- d. Using a length of string tied between the peg and a can of spray paint mark the circles on the ground. *(Image 3)*
- e. Once the center has been established, and the measurement of the pool itself has been determined, you must now determine the outer limits of the perimeter of your pool. Add 12" (30 cm) outside this measurement to determine pool perimeter. *(Image 4)*



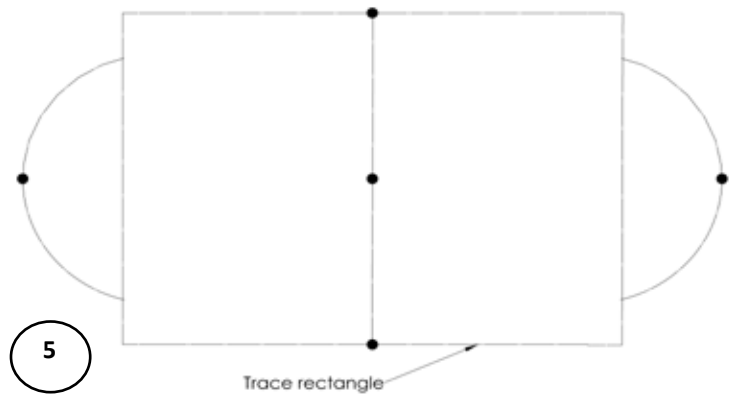


## Section 1

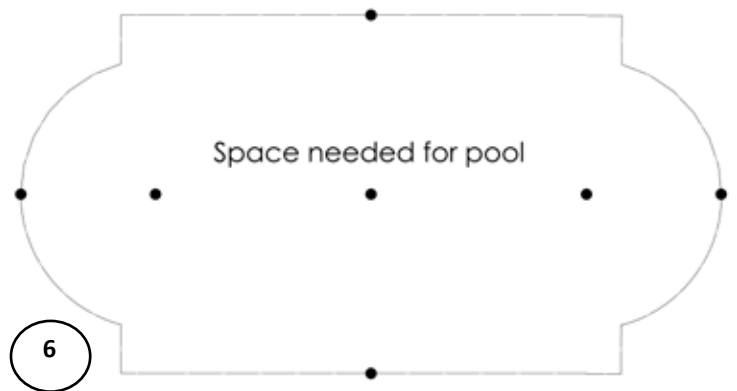
# GENERAL INSTRUCTIONS - BRACELESS OVAL POOLS GROUND PREPARATION

## B. CONT. PREPARE THE FOUNDATION OF YOUR POOL

- f. Mark areas along both straight sides of your oval. Use pegs and string as a guide for the can of spray paint to mark straight lines. *(Image 5)*



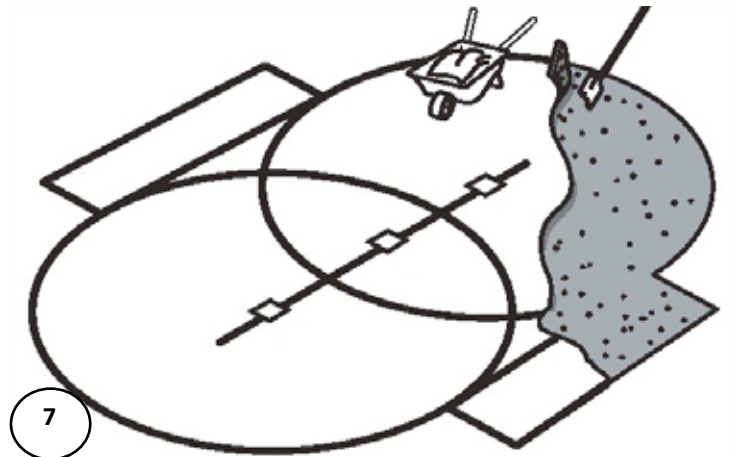
- g. You now have the space marked out that is needed for your oval pool. *(Image 6)*



## 2. Remove the sod

- a. Remove the sod from the area you have just outlined. *(Image 7)*
- b. Remove all debris (rocks, roots, etc) using a rake. Then compact the ground to achieve a firm base.

You can use a sod removal machine.



### Important Note:

Your pool must be perfectly level. Take the time you need to be sure your foundation is perfectly level.

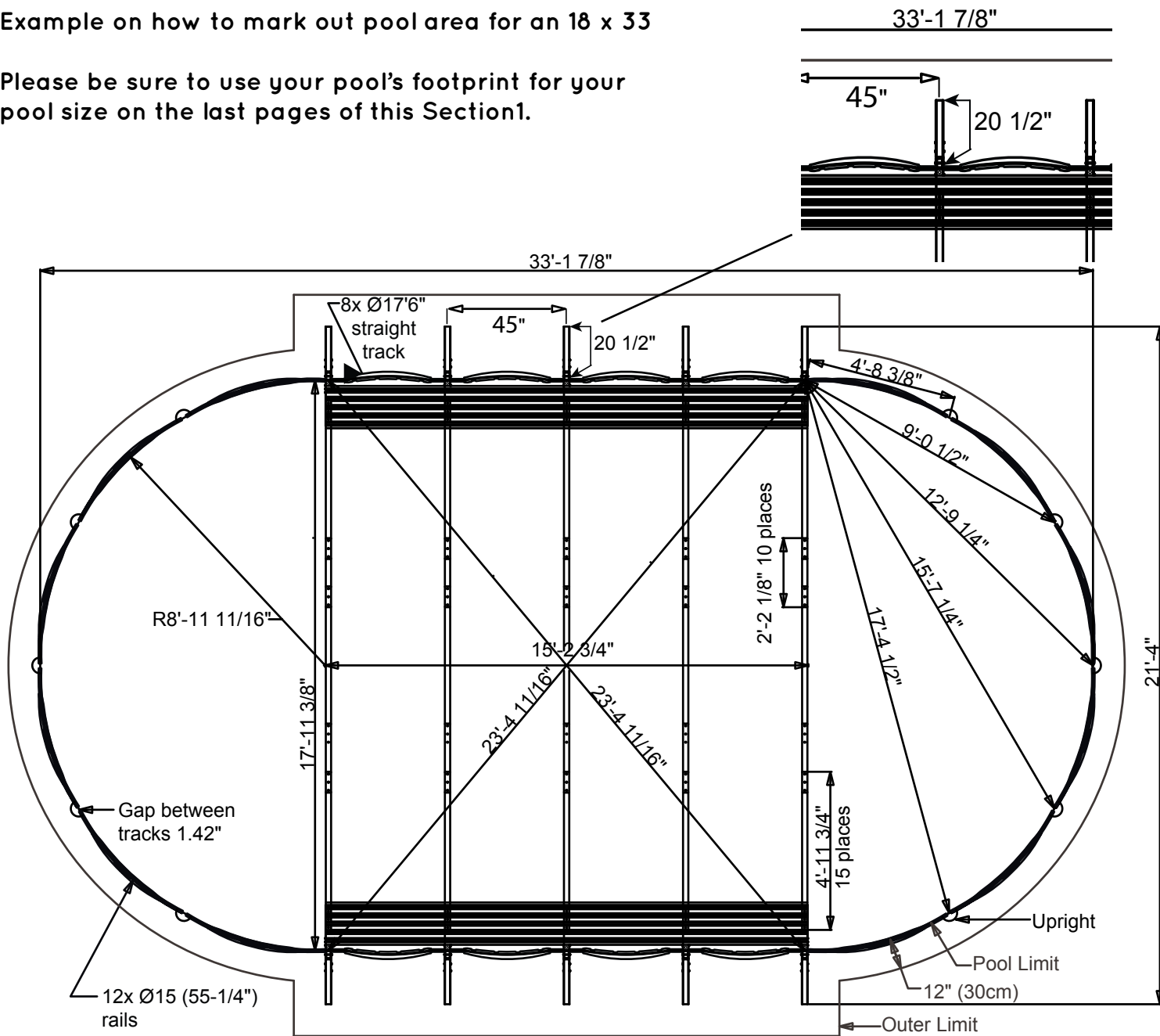
Section  
1

**GENERAL INSTRUCTIONS - BRACELESS OVAL POOLS**  
**GROUND PREPARATION**

**B. CONT. PREPARE THE FOUNDATION OF YOUR POOL**

Example on how to mark out pool area for an 18 x 33

Please be sure to use your pool's footprint for your pool size on the last pages of this Section1.



Perimeter 1043" (hole to hole)-  
Track length measured in track slot-All dimensions are in inches

**EXAMPLE**

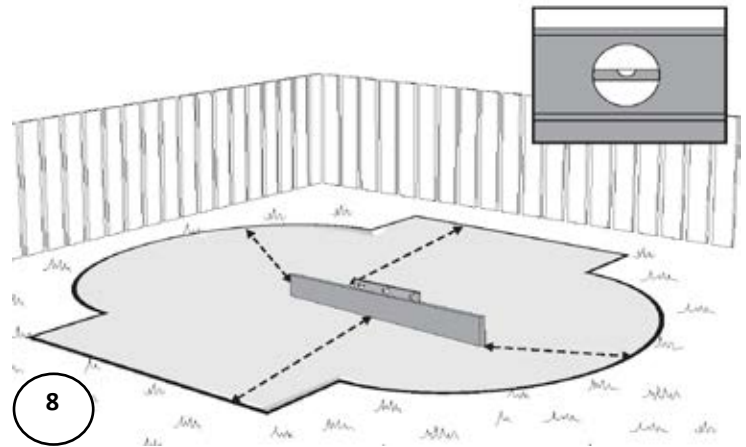
# Section 1

## GENERAL INSTRUCTIONS - BRACELESS OVAL POOLS GROUND PREPARATION

### B. CONT. PREPARE THE FOUNDATION OF YOUR POOL

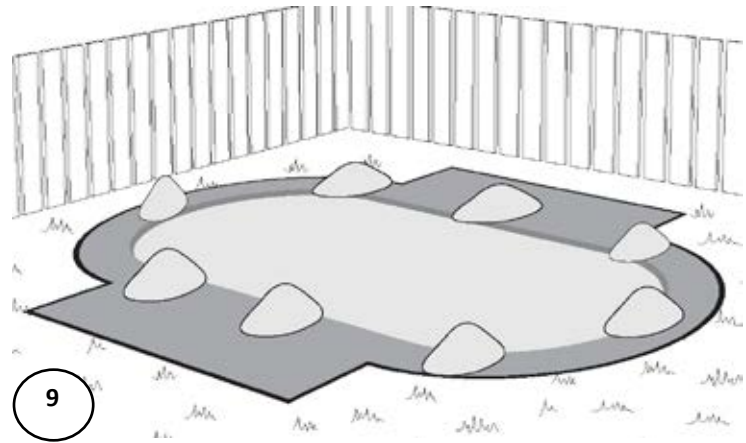
#### 3. Make the area flat and level

- a. Remove all the high spots with a shovel, hoe or rake. To make sure your pool is stable, compact the ground well before adding the sand. Be prepared to hire earth moving equipment if you need to level a large area. Remember, your pool must be level across the diameter of the pool.  
**(Image 8)**



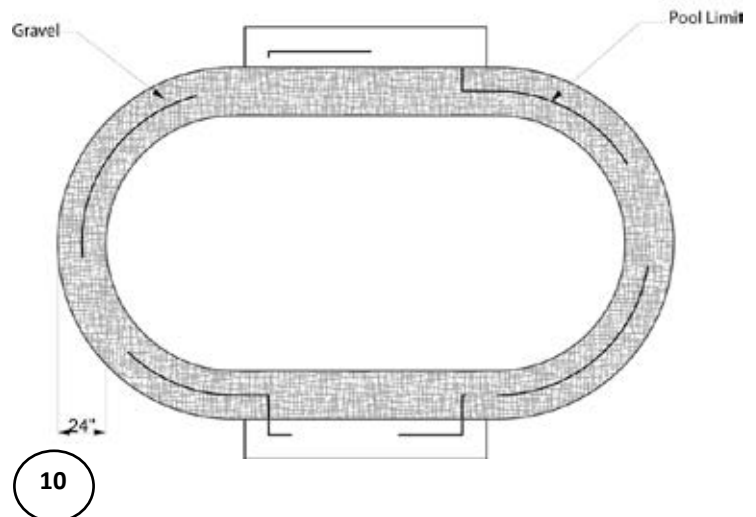
- b. Small dips and hollows may be filled in, but the soil must be hard-packed with a tamping tool or a soil compactor machine.

- c. Take material such as rock dust or fine mortar that can conform a solid, permanent base and deposit this material around the rim of the basin. **(Image 9)**



- d. The material used should be spread around the perimeter of the pool to a width of 24" (60cm) and a thickness of 2" (5cm). **(image 10)**

- e. Recheck the outer perimeter of the oval shape, where the pool wall will be placed. Compact the ground and make sure there are no high or low spots. The bottom edge of the pool wall must rest flat on the ground and have no gaps under it.



**Helpful Hint:**  
Use the optical level to ensure that the ground is perfectly flat and level.

**Important Note:**  
Your pool must be perfectly level. Take the time you need to be sure your foundation is perfectly level.

# Section 1

## GENERAL INSTRUCTIONS - BRACELESS OVAL POOLS GROUND PREPARATION

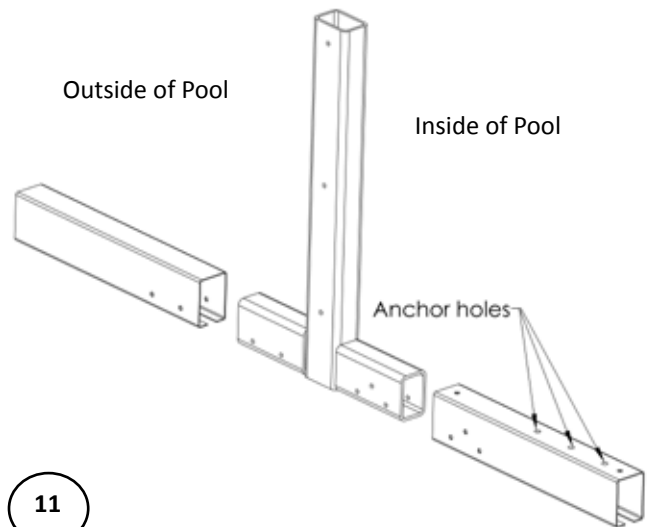
### C. PRE-ASSEMBLY OF THE T JOINTS (BUTTRESS)

#### 1. Assembling the buttress joints

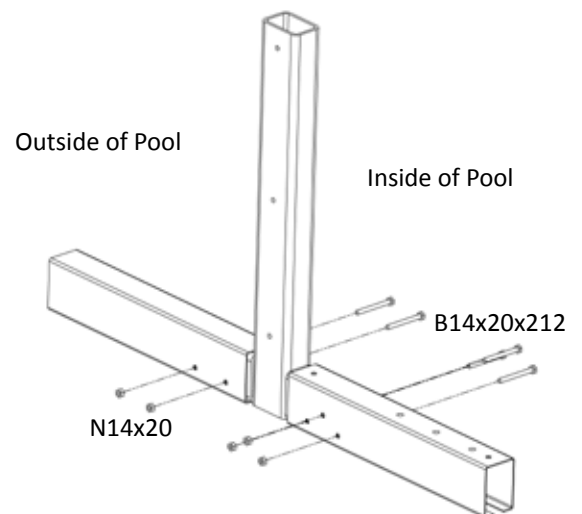
- a. Insert the horizontal sleeves in the buttress joints. On each side insert two or three (depending on the side) 6.35 cm (2.5") mechanical screws (B14x20x212) with nuts (N14x20).

Note that the sleeve with the anchor holes should be installed facing into the pool. **(Images 11 & 12)**

**Important Note:**  
Do not throw away the extruded polystyrene sections.



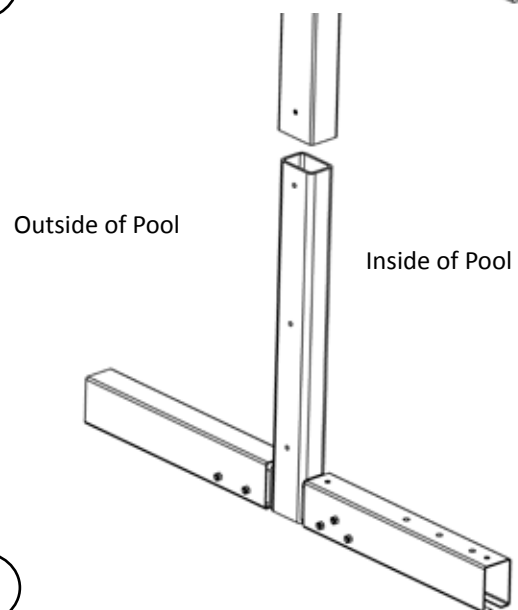
11



12

- b. Insert the vertical sleeve. **(Image 13)**

**Important Note:**  
The opening of the vertical sleeve must be facing the outside of the pool.



13

## Section 1

# GENERAL INSTRUCTIONS - BRACELESS OVAL POOLS GROUND PREPARATION

## C. CONT. PRE-ASSEMBLY OF THE T JOINTS (BUTTRESS)

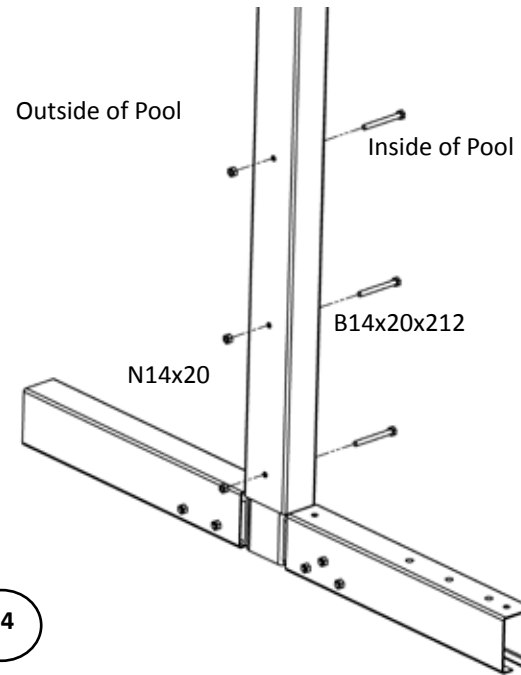
- b. Insert the three 6.35 cm (2.5") screws (B14x20x212) with nuts (N14x20) in the vertical sleeve. *(Image 14)*

**IMPORTANT:** If your pool has steel bottom plates, Do not permanently fasten the vertical sleeve with screws. You will need to remove the sleeve again in order to fit the bottom plate over the T more easily, before replacing and attaching the vertical sleeve.

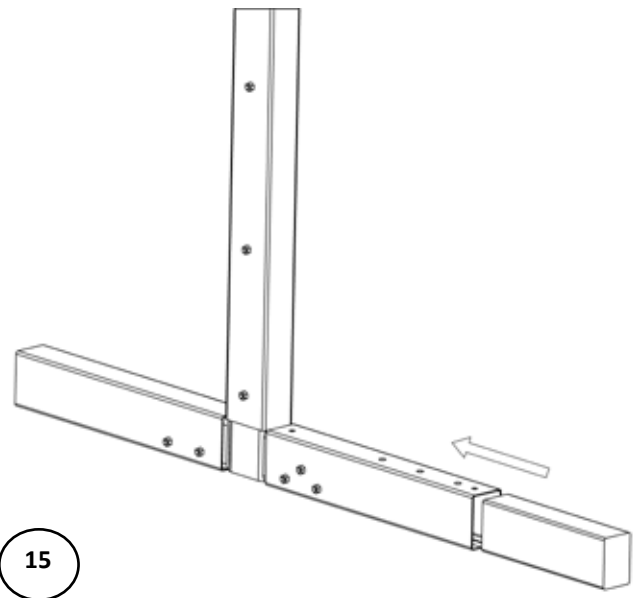


### Important Note:

The opening of the vertical sleeve must be facing the outside of the pool.



- c. Insert the extruded polystyrene pieces into the opening of the horizontal sleeves with pen nuts (located inside the pool). *(Image 15)*



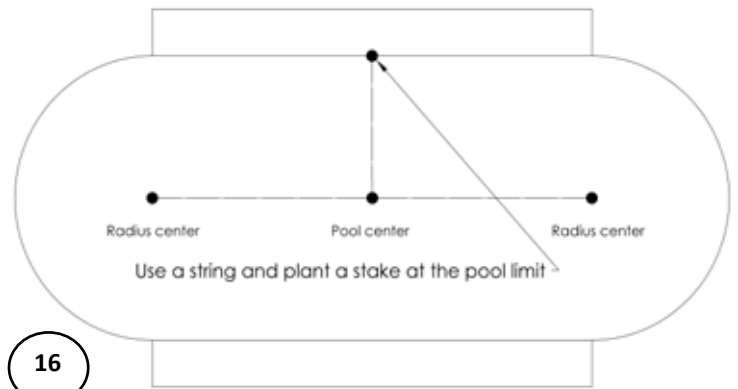
# Section 1

## GENERAL INSTRUCTIONS - BRACELESS OVAL POOLS GROUND PREPARATION

### D. GROUND PREPARATION FOR THE BUTTRESS

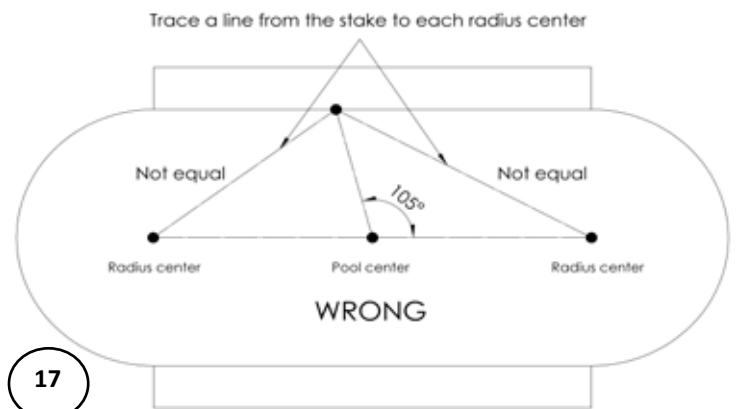
#### 1. Measuring for the buttress trenches

a. In order to measure where trenches need to be dug for the placement of the buttress, you must first draw a perpendicular line in order to create a perfect 90 degree angle. From the pool center, trace a straight line to the oval perimeter. **(Image 16)**



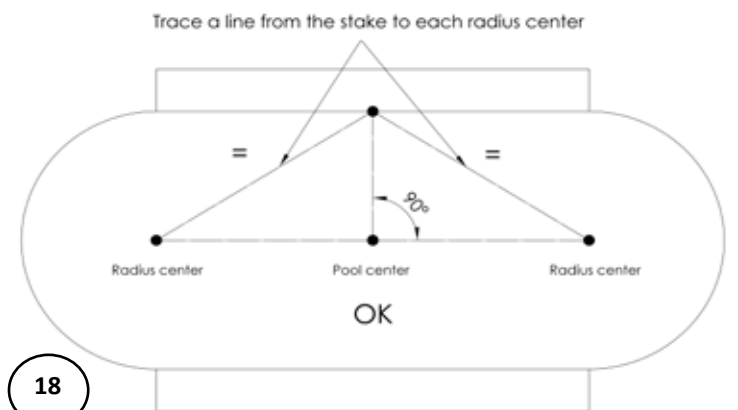
16

b. In order to ensure that your line is perpendicular, measure from each radius center to the top of your line. The measurement should be exactly the same on each side. If not, adjust until both are the same and you will now have a perfect perpendicular line, therefore creating a perfect 90 degree angle. **(Images 17 & 18)**



17

c. Repeat the first two steps to create a perpendicular line in order to create a perfect 90 degree angle for the other side of the oval pool.



18

**⚠ Important Note:**  
It is very important that when you follow the instructions on the next page, that you apply the next steps to only one side of the pool at a time. It is imperative that you follow the next steps in order.

# Section 1

## GENERAL INSTRUCTIONS - BRACELESS OVAL POOLS GROUND PREPARATION

### D. CONT. GROUND PREPARATION FOR THE BUTTRESS

#### 2. Digging the buttress trenches

##### Odd number of trenches;

- a. If your oval pool contains an even number of buttresses, please proceed with next step. If your oval pool contains an odd number, position the buttress temporarily on the straight center line from the middle. **(Image 19)**

**Note: Odd number means the total of sections on one side, for example a 12 x 23 pool has Odd number.**

- b. Trace around the buttress and dig a trench. Depending on the size of block that you will place underneath, dig the hole so that the buttress and the block will fit. Dig deep enough so that the top of the buttress joint is level with the ground. **(Image 20)**



##### Important Note:

This first buttress that you install will be the reference to install the remaining buttresses, therefore ensure that measurements and placements are exactly where they need to be.

##### Even number of trenches;

- c. If your oval pool contains an even number of buttresses, measure from the center line out 22 1/2". Position the buttress temporarily off the straight center line from the middle. **(Image 21)**

**Note: Even number means the total of sections on one side, for example a 15 x 30 pool has Even number.**

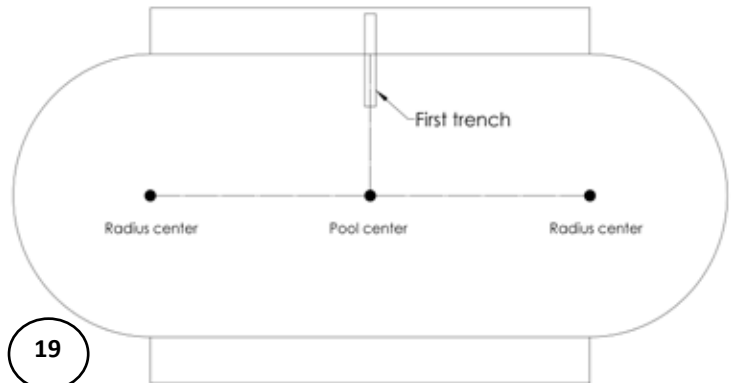
- d. Trace around the buttress and dig a trench. Depending on the size of block that you will place underneath, dig a hole so that the buttress and the block will fit. **(Image 20)**



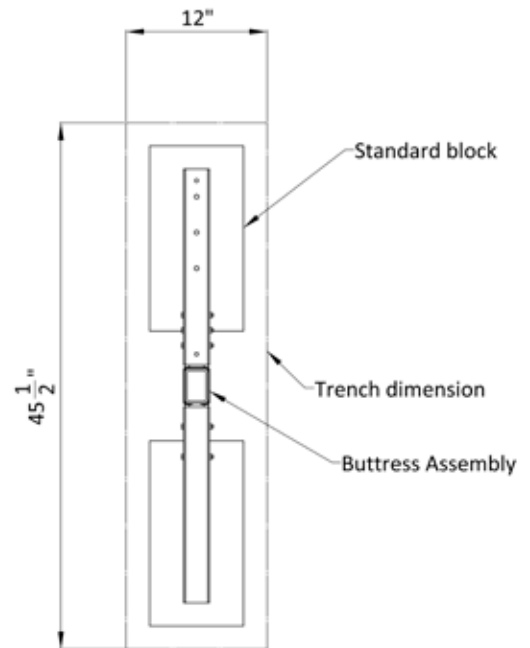
##### Important Note:

This first buttress that you install will be the reference to install the remaining buttresses, therefore ensure that measurements and placements are exactly where they need to be.

Odd number of sections

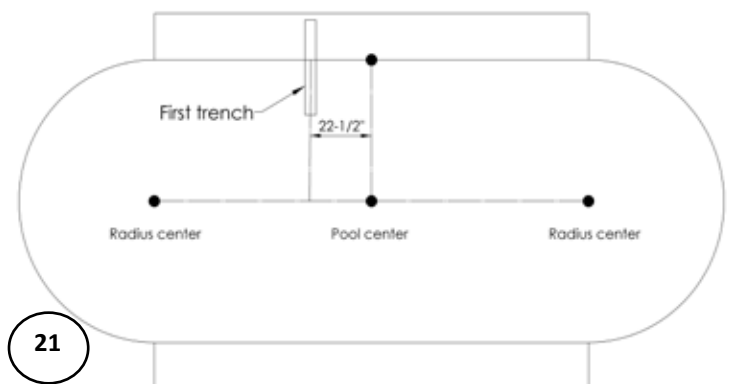


19



20

Even number of sections



21

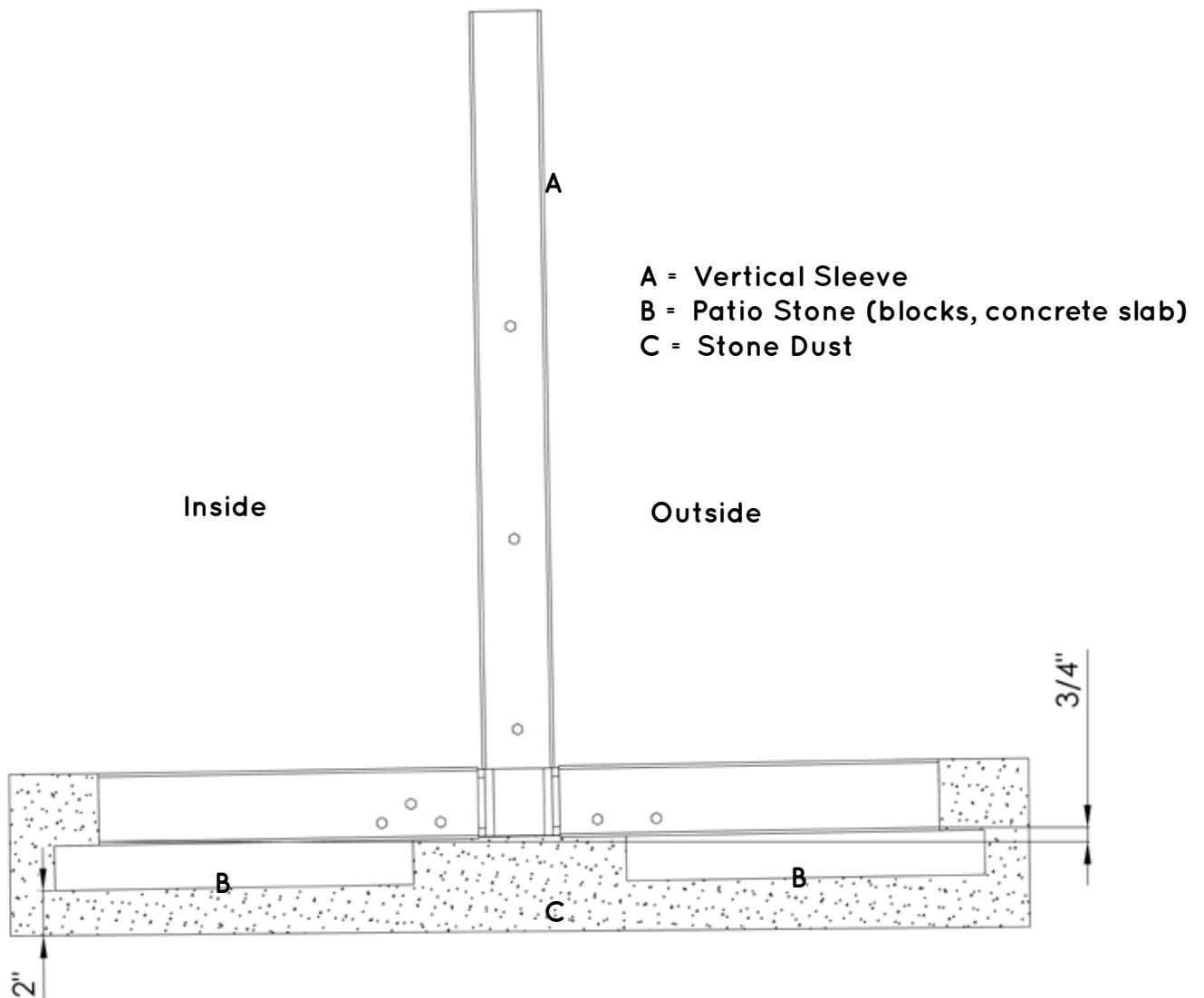
Section  
1

**GENERAL INSTRUCTIONS - BRACELESS OVAL POOLS  
GROUND PREPARATION**

**D. CONT. GROUND PREPARATION FOR THE BUTTRESS**

**3. Install Patio Stones (Blocks)**

- a. Insert and level two concrete slabs or their equivalent, which should measure about 20 cm x 40 cm x 10cm (8" x 16" x 2"), allowing one of the slabs to extend past the inside end of the T.
- b. Add approximately 2cm (3/4") of compacted stone dust under the concrete block (patio stone etc.) which is at the exterior of the pool to raise the vertical sleeve slightly toward the interior of the pool in order to counterbalance the weight of the water. *(Image 22)*





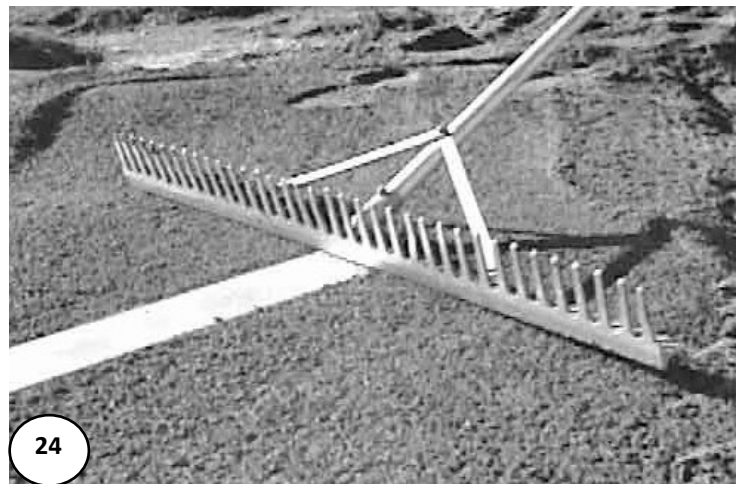
# Section 1

## GENERAL INSTRUCTIONS - BRACELESS OVAL POOLS GROUND PREPARATION

### D. CONT. GROUND PREPARATION FOR THE BUTTRESS

#### 4. Finish trenches & patio stone installation

- a. Continue to finish one by one the remaining trenches with patio blocks for the buttress installation. **It is important to finish one side of the oval only. Make sure to refer to your pool's footprint for the correct amount of buttresses that you will need to install.**
- b. Once all the trenches are dug and buttresses with patio stones are installed, **on the one side only.** Remeasure each buttress to ensure that they are level and not tilting left or right. *(Image 23)*
- d. From the first buttress, check to see that second buttress is 45" from center and continue to ensure that all measurements between each buttress is equal.
- e. \*Now add crushed stone around the buttress (do not cover) and be careful not to move the buttress. Take measurements at every upright and then check measurement again. *(Image 24)*

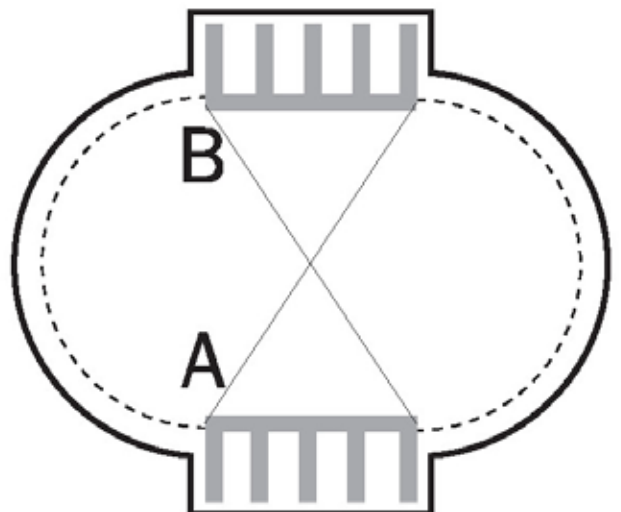


#### **\*Important Note when installing second side:**

As soon as you are done installing the second side of the buttresses, measure the two intersecting axes **FIRST** before adding crushed stone.

Ensure that the two straight sections are parallel and square. If they are not, you **MUST** rectify.

Once all is perfectly parallel, you may add crushed stone and continue with assembling straps and pressure plates on the remaining side.



## Section 1

# GENERAL INSTRUCTIONS - BRACELESS OVAL POOLS GROUND PREPARATION

## E. ASSEMBLING THE BUTTRESS STRAPS AND PRESSURE PLATES

### 1. Assemble the buttress straps and brace

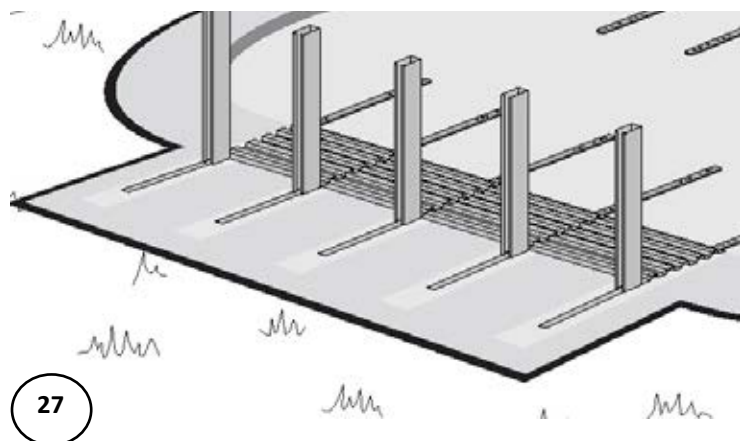
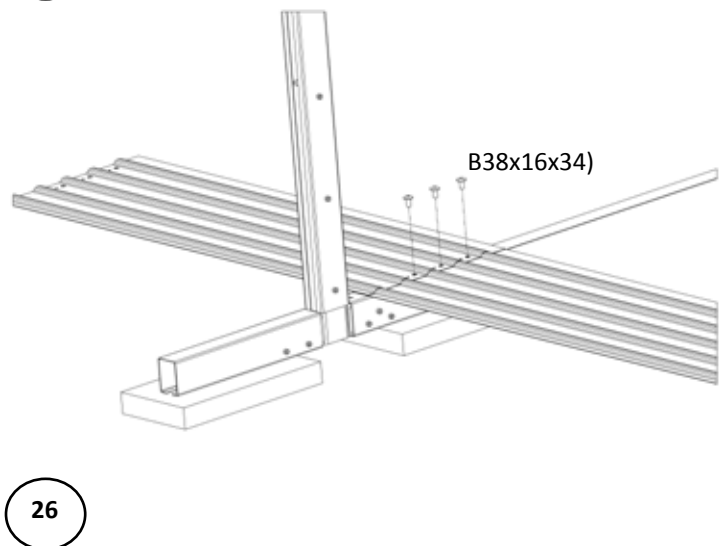
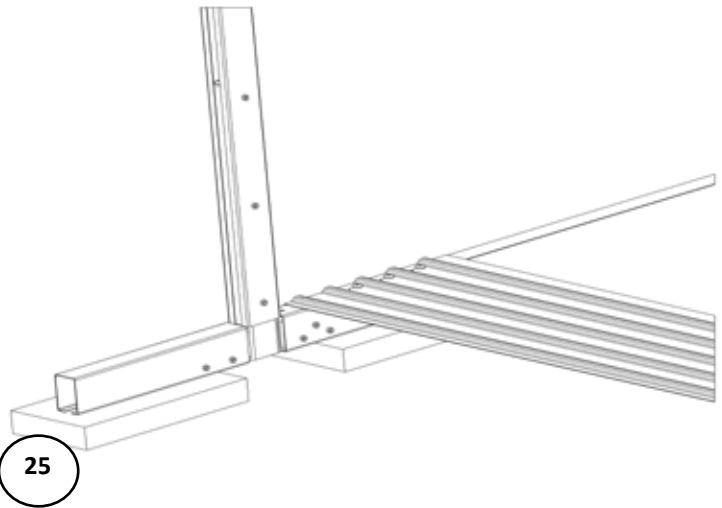
- a. Place a steel strap and a pressure plate on the buttress base, 1.14 m (45") from centre to centre, so the pressure plate will fit perfectly. Attach with 3 screws (B38x16x34), but do not secure it tightly. This will enable you to align them correctly. **(Image 25 & 26)**

- b. When installing the second pressure plate, it will overlap from the first pressure plate. Do not forget to put straps first. **(Image 26)**

- c. Continue to install the remaining steel straps and pressure plates (one the one side only), as described in the previous step. Do spot checks to ensure everything is equal. **(Image 27)**

- d. Once you have finished installing straps and pressures plates on the one side. Ensure that they have all been remeasured and that measurements are perfect and square. Permanently affix the pressure plates to the buttress bases by inserting 2.22cm (7/8") mechanical screws directly into the welded nuts on the horizontal sleeves.

- e. You may now go back to step 2-Digging the buttress trenches, to continue for the remaining side of the oval.



### Important Note:

If the holes do not align, DO NOT drill holes! Verify the alignment of the structures.

# Section 1

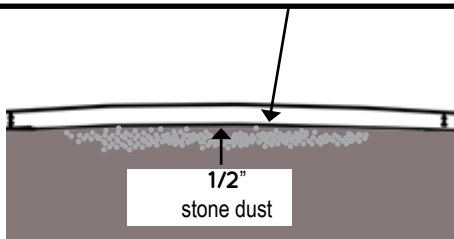
## GENERAL INSTRUCTIONS - BRACELESS OVAL POOLS GROUND PREPARATION

### E. ASSEMBLING THE BUTTRESS STRAPS AND PRESSURE PLATES

- f. Once both sides of the buttresses have been installed perfectly, check that all is measured again perfectly (diagonally and square). **(Image 28)**
- g. Add the remaining straps that join across to other straps. Make sure the screw heads are facing upward. Remeasure and tighten screws. Recheck measurement again. **(Image 29)**

#### Important Note:

Ensure that the straps raise higher in the middle, therefore you may need to put a little more stone dust underneath, appx 1/2". If you fail to do this the straps will lift when the pool is filled with water.

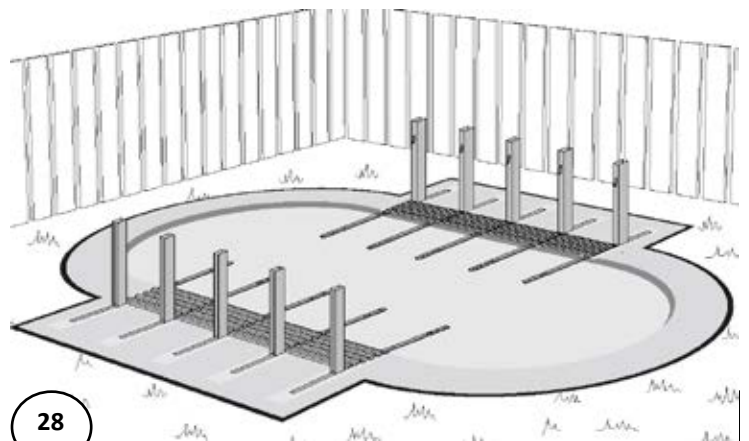


- h. Measure the two intersecting axes to ensure that the two straight sections are parallel. **(Image 30)**

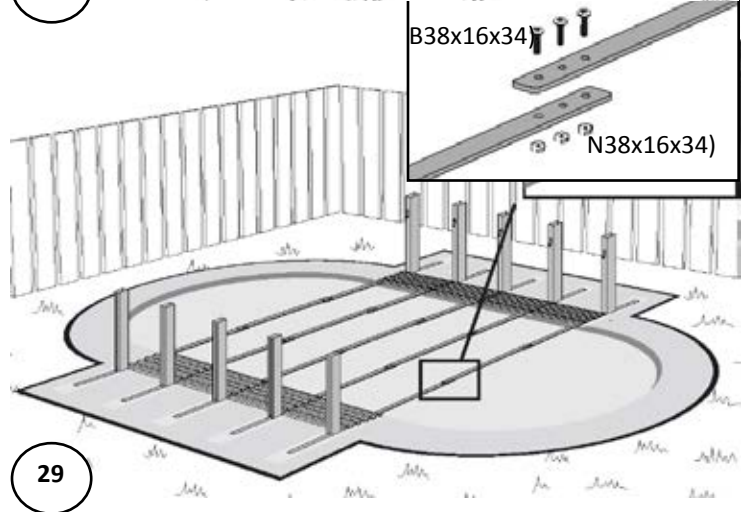
#### Note:

It may feel tedious to be always measuring, but this only helps to ensure proper installation and avoiding problems further on.

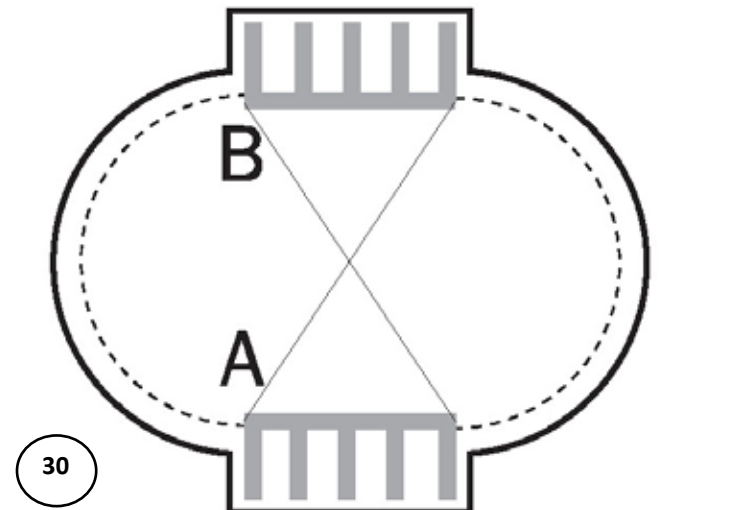
2. Proceed to Section 2 -  
Assembling the Pool Base



28



29



30



Section  
1

**GENERAL INSTRUCTIONS - BRACELESS OVAL POOLS  
GROUND PREPARATION**

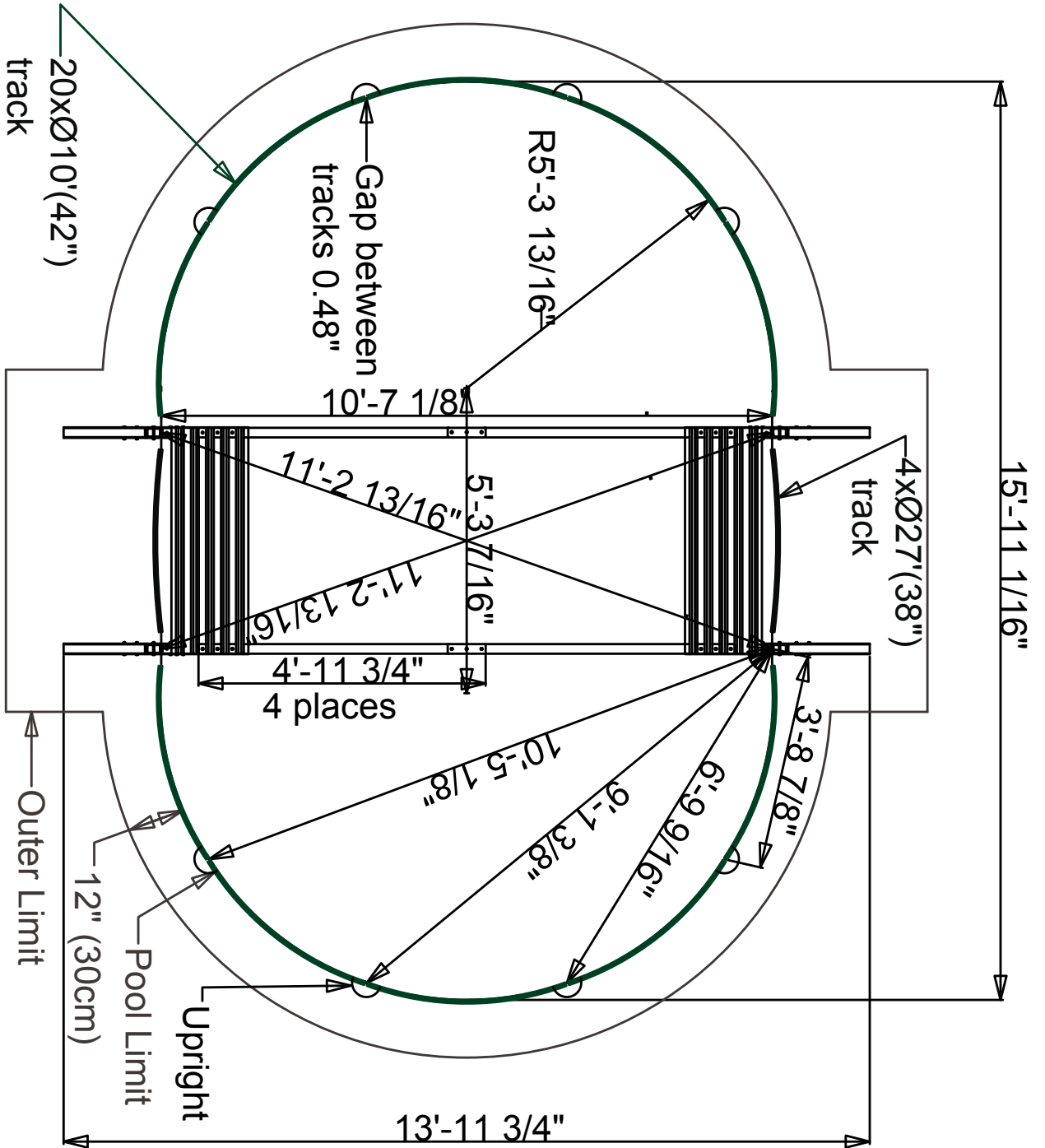
**THE FOLLOWING SECTION  
CONTAINS YOUR POOL'S FOOTPRINT**

Section  
1

**GENERAL INSTRUCTIONS - BRACELESS OVAL POOLS**  
**GROUND PREPARATION**

OVAL FOOTPRINT - 10 x 16 - For SSPRSF11

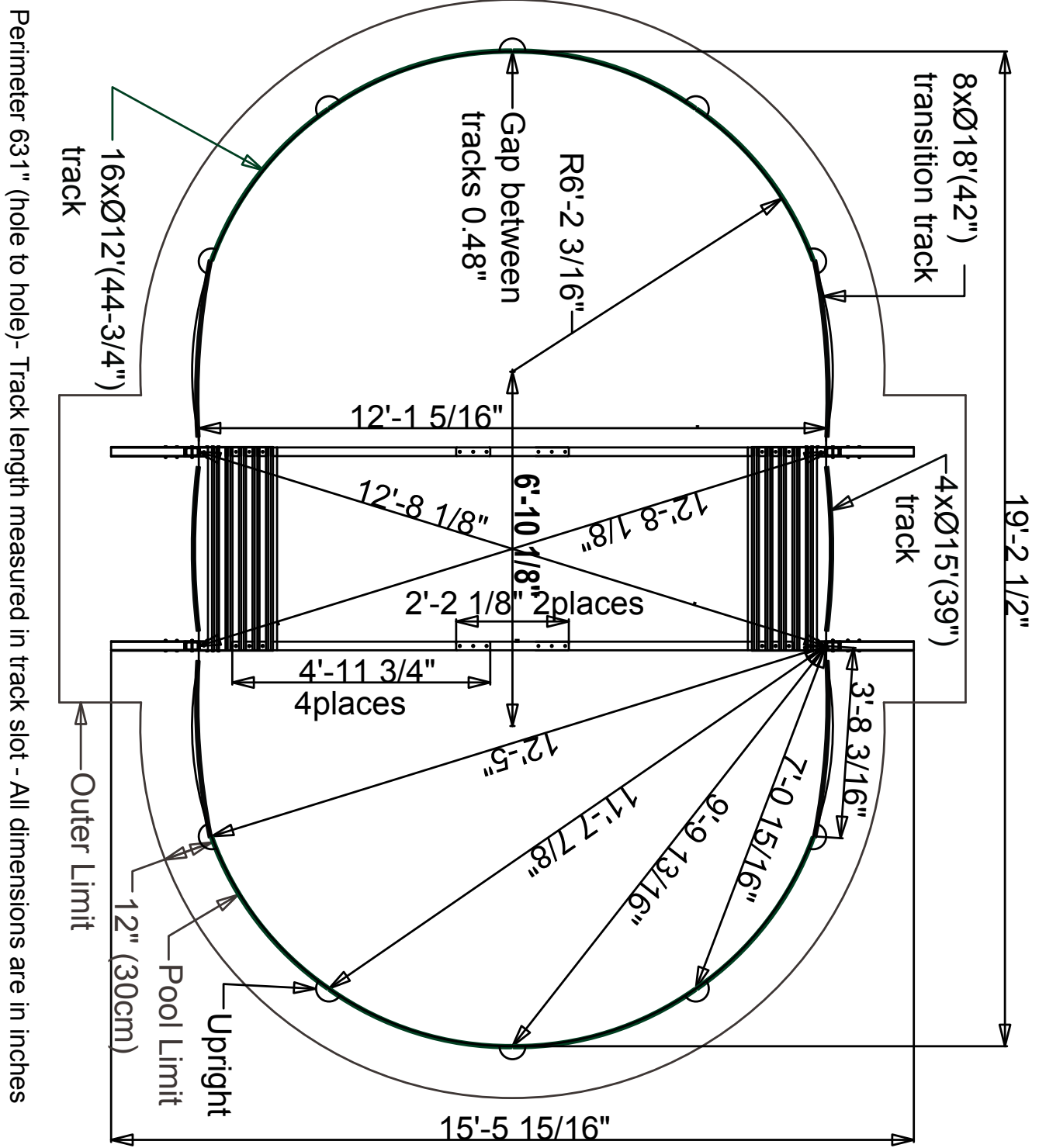
Perimeter 528" (hole to hole) - Track length measured in track slot  
-All dimensions are in inches



Section  
1

**GENERAL INSTRUCTIONS - BRACELESS OVAL POOLS**  
**GROUND PREPARATION**

OVAL FOOTPRINT - 12 x 19 - For SSPRSF11

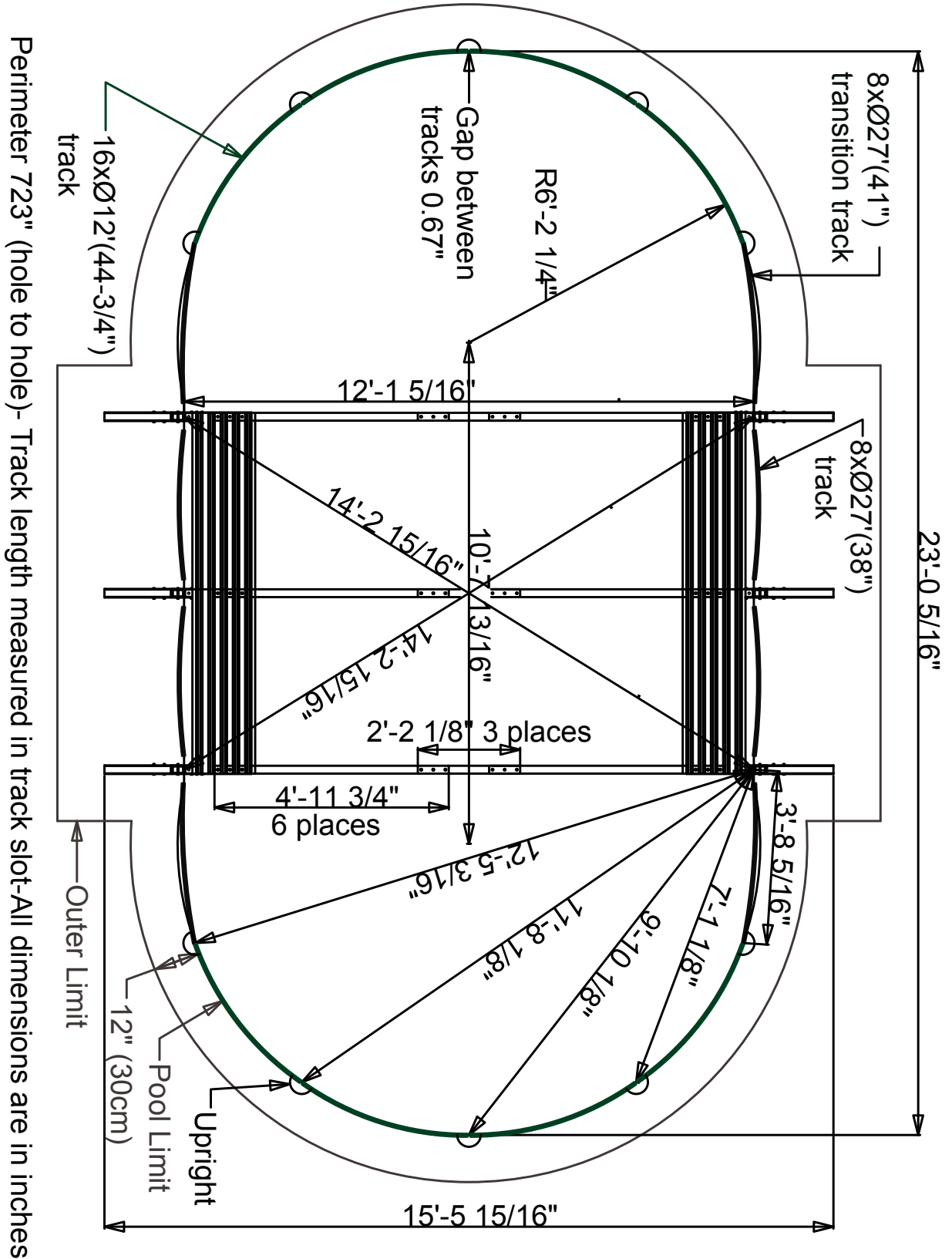


Perimeter 631" (hole to hole) - Track length measured in track slot - All dimensions are in inches

Section  
1

**GENERAL INSTRUCTIONS - BRACELESS OVAL POOLS**  
**GROUND PREPARATION**

**OVAL FOOTPRINT - 12 x 23 - For SSPRSF11**



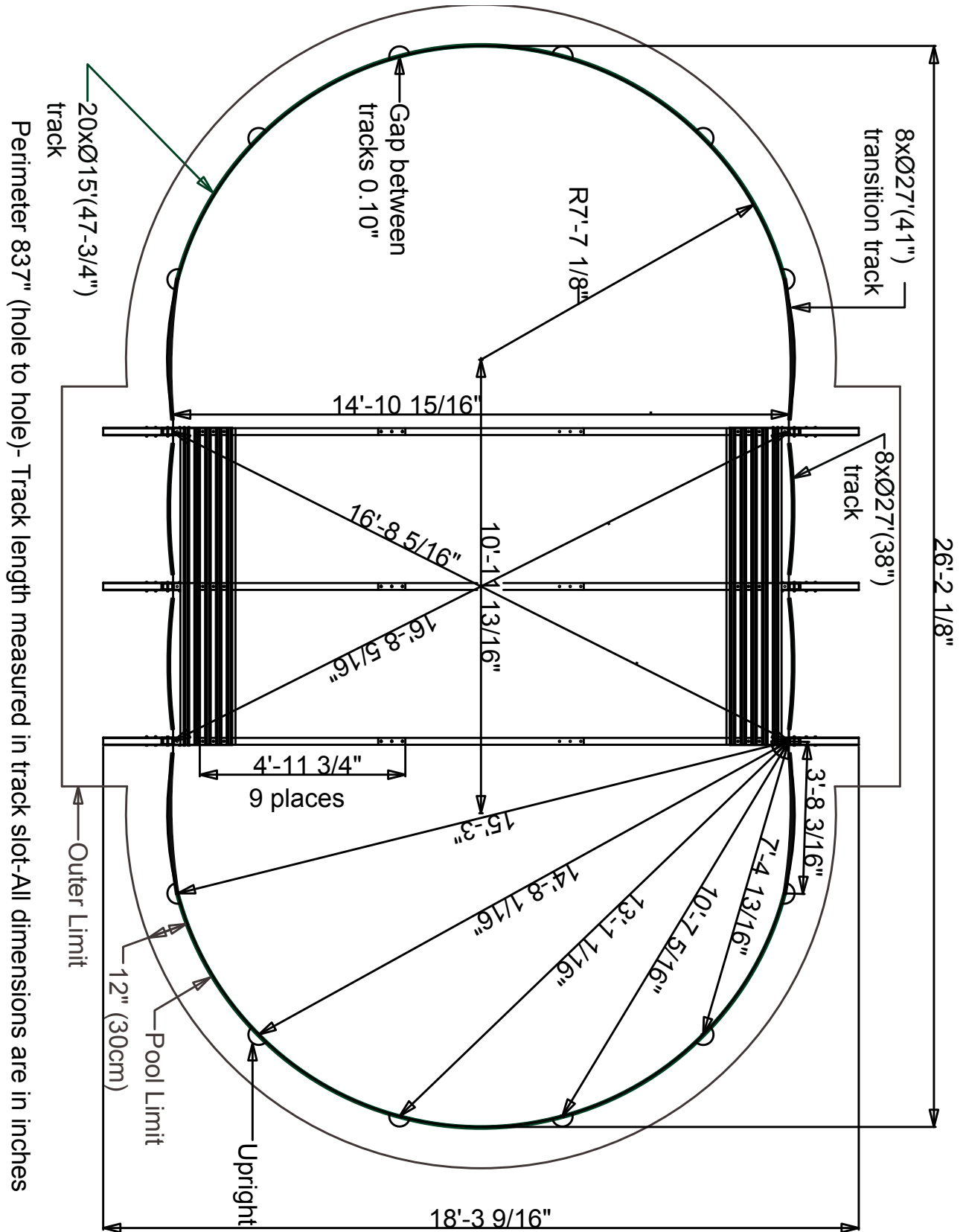
Perimeter 723" (hole to hole)- Track length measured in track slot-All dimensions are in inches



Section  
1

**GENERAL INSTRUCTIONS - BRACELESS OVAL POOLS**  
**GROUND PREPARATION**

**OVAL FOOTPRINT - 15 x 26 - For SSPRSF11**

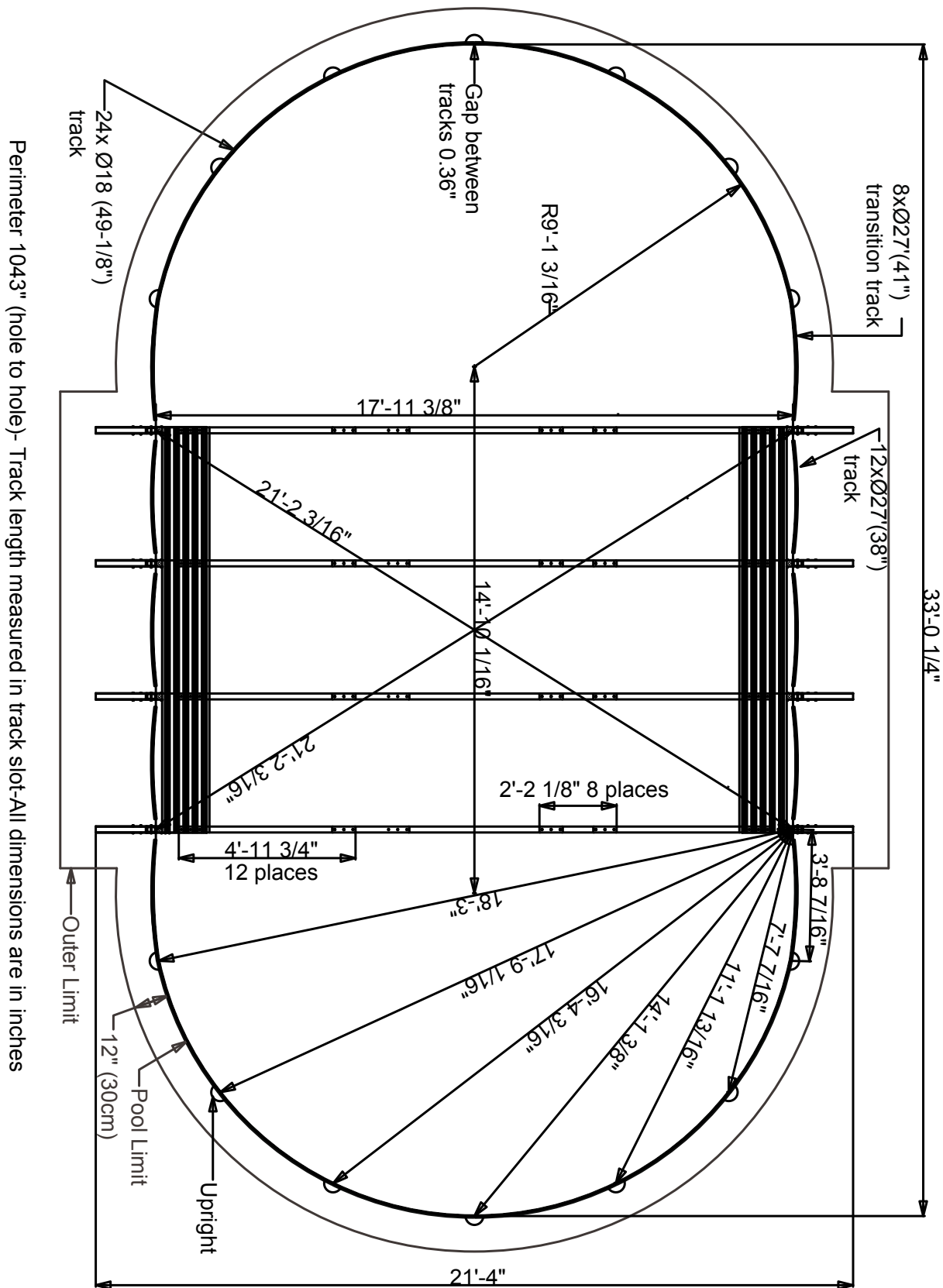




Section  
1

**GENERAL INSTRUCTIONS - BRACELESS OVAL POOLS**  
**GROUND PREPARATION**

**OVAL FOOTPRINT - 18 x 33 - For SSPRSF11**

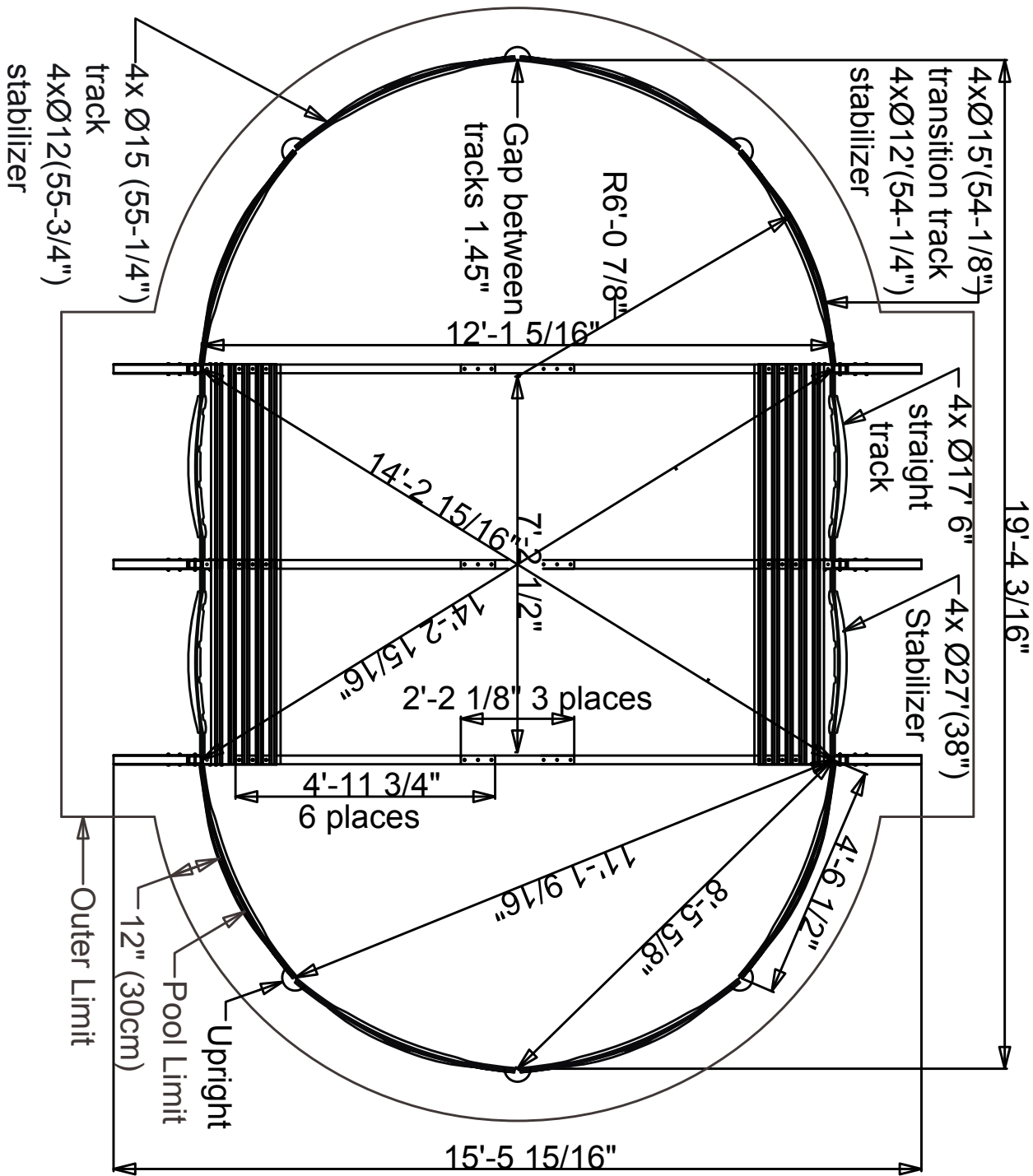


Section  
1

**GENERAL INSTRUCTIONS - BRACELESS OVAL POOLS**  
**GROUND PREPARATION**

**OVAL FOOTPRINT - 12 x 19 - For RSRRSF11 /RSRRRF11**

Perimeter 631" (hole to hole) - Track length measured in track slot - All dimensions are in inches

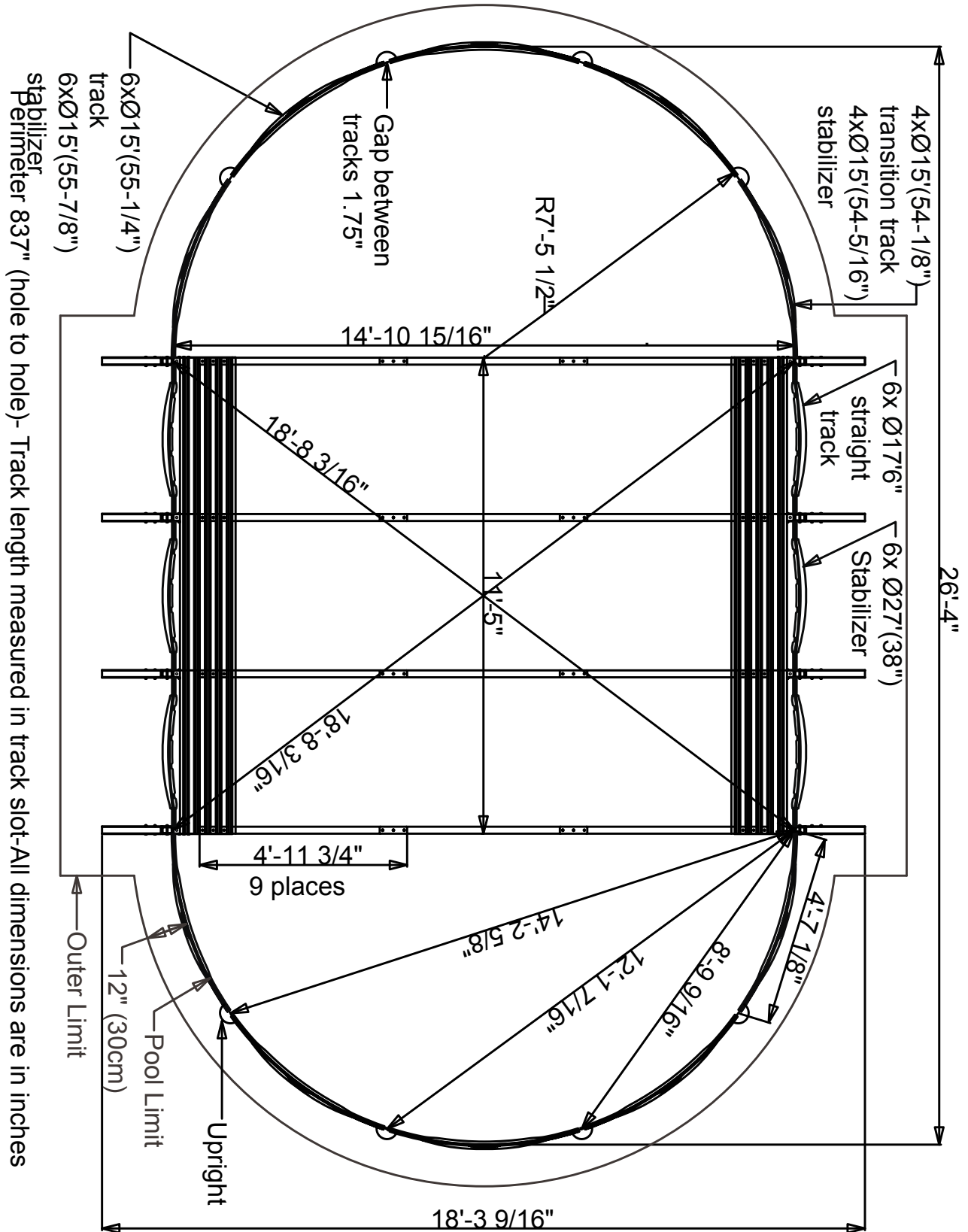




Section  
1

**GENERAL INSTRUCTIONS - BRACELESS OVAL POOLS  
GROUND PREPARATION**

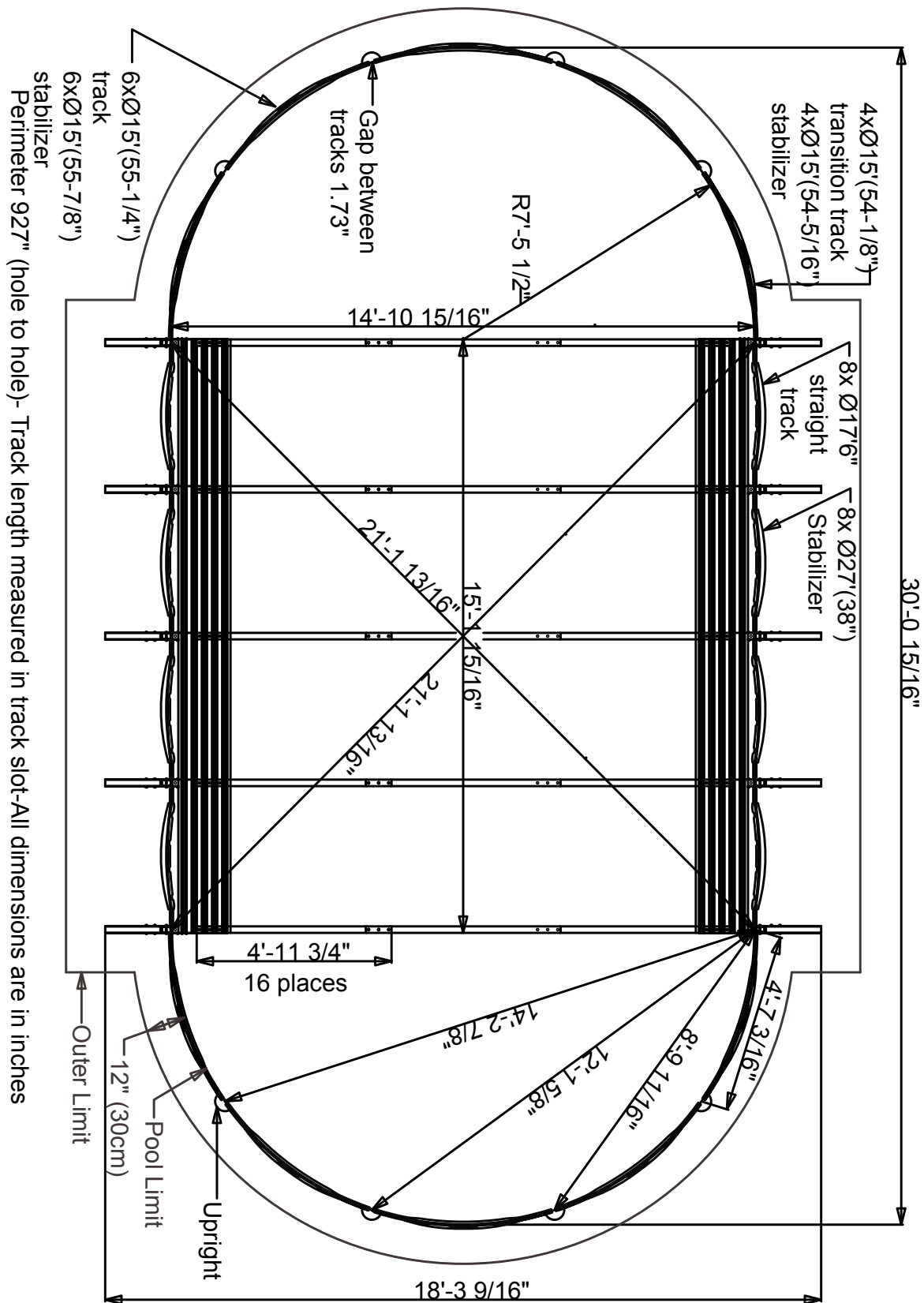
**OVAL FOOTPRINT - 15 x 26 - For RSRRSF11 /RSRRRF11**



Section  
1

**GENERAL INSTRUCTIONS - BRACELESS OVAL POOLS  
GROUND PREPARATION**

**OVAL FOOTPRINT - 15 x 30 - For RSRRSF11 /RSRRRF11**







## Section 2

# GENERAL INSTRUCTIONS - BRACELESS OVAL POOLS ASSEMBLING THE POOL BASE

## A. INSTALLATION OF BOTTOM PLATES AND BOTTOM RAILS

### 1. Bottom plates - STRAIGHT SECTION - STEEL

**NOTE:** Depending on your pool model you may have steel or resin bottom plates.

- a. **IMPORTANT:** Insert a Junction rail into either side of the bottom rail in the straight section only, before inserting into either side of the bottom plate. (NOTE: Be sure to use the bottom rail that is specific for the straight section) *(Images 1 & 2)*

#### Important Note:

PLEASE SEE NOTE ON THE NEXT PAGE IN REGARDS TO THE DIFFERENT LENGTHS OF BOTTOM RAILS.

- b. Insert the end of each bottom rail into the bottom plate. Leave a gap between the ends of the bottom rails.
- c. You will need to remove the vertical sleeves in order to proceed with the next step.

#### See Diagrams:

Please refer to your pool's footprint for gap measurement,





## IMPORTANT NOTE

There are three types of bottom rails;

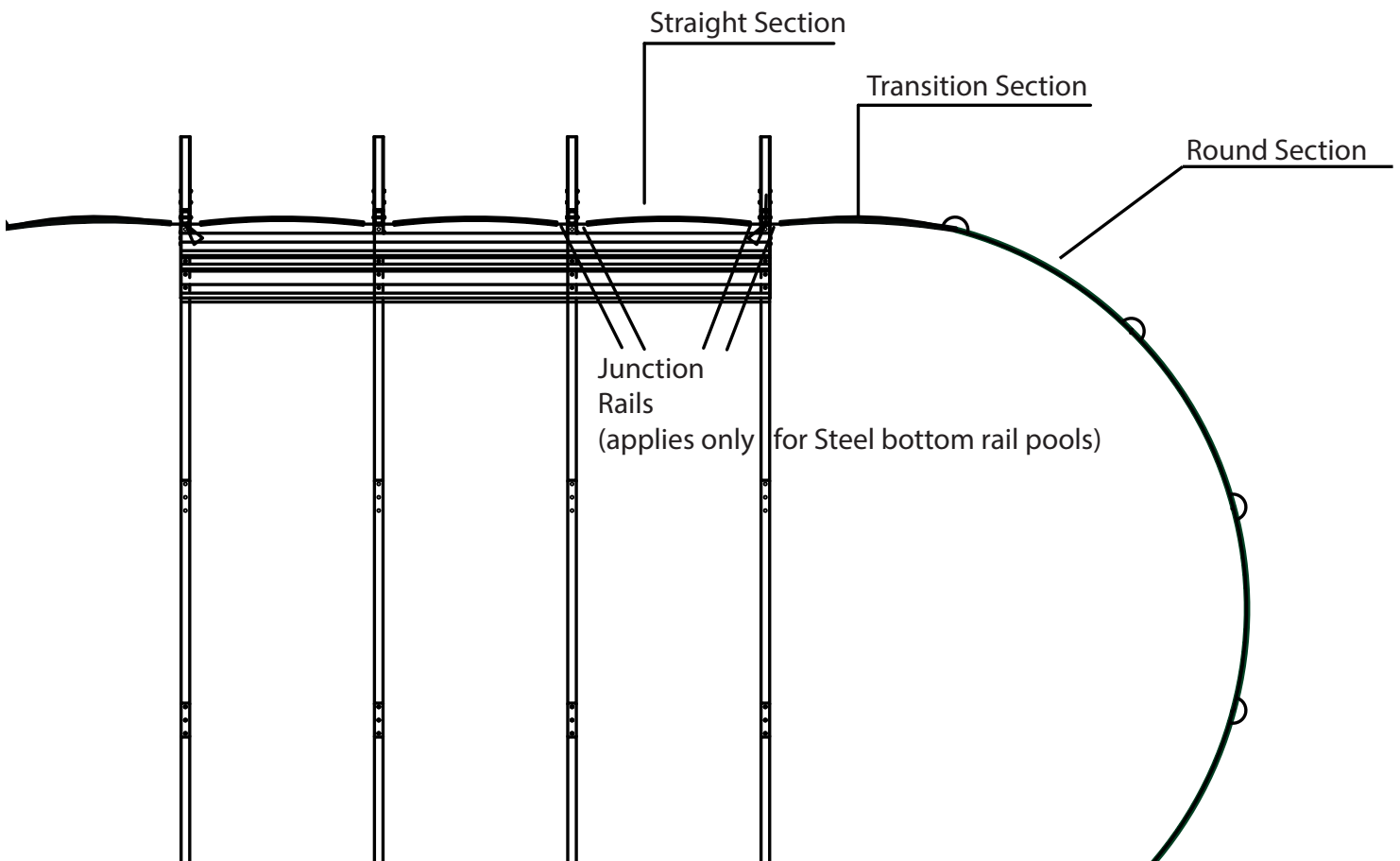
1- Straight Section

2- Round Section

3- Transition (End of the Straight Section).

To differentiate which bottom rail is which;

- The Straight Section will measure the shortest in length
- The Transition Section will measure will measure longer than the straight section, but shorter than the round section.
- The Round Section will be the longest measurement.



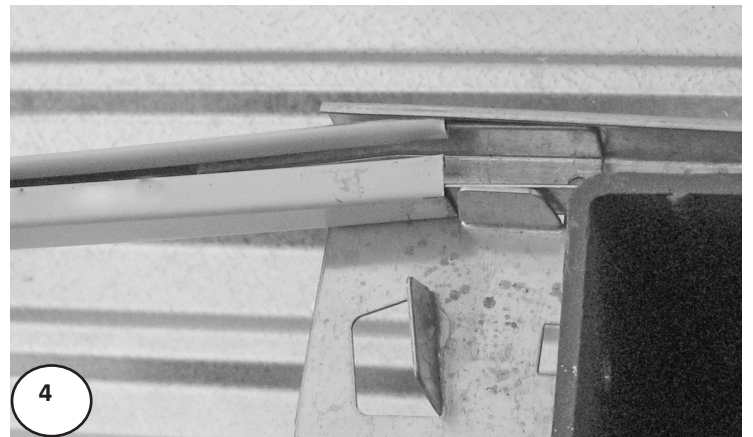
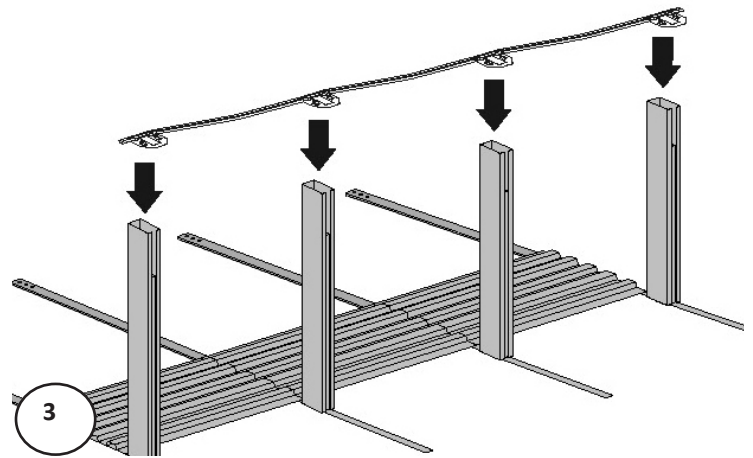
## Section 2

# GENERAL INSTRUCTIONS - BRACELESS OVAL POOLS ASSEMBLING THE POOL BASE

## A. INSTALLATION OF BOTTOM PLATES AND BOTTOM RAILS

- d. Insert the assembled bottom plate with bottom rail into the vertical uprights. It is preferable to be two persons to accomplish this step. *(Images 3 to 5)*
- e. Replace the vertical sleeve and attach with the 3 screws and nuts.

**See Diagrams:**  
Please refer to your pool's footprint for gap measurement,



## Section 2

# GENERAL INSTRUCTIONS - BRACELESS OVAL POOLS ASSEMBLING THE POOL BASE

## A. CONT. INSTALLATION OF BOTTOM PLATES AND BOTTOM RAILS

### 1. Bottom plates - STRAIGHT SECTION - RESIN

**NOTE:** Depending on your pool model you may have steel or resin bottom plates.

- To install the bottom plate in the straight section, you need to remove the central plate of the bottom plate with a hammer or pliers. *(Images 6 & 7)*
- Insert the end of each bottom rail into the bottom plate. Leave a gap between the ends of the bottom rails.

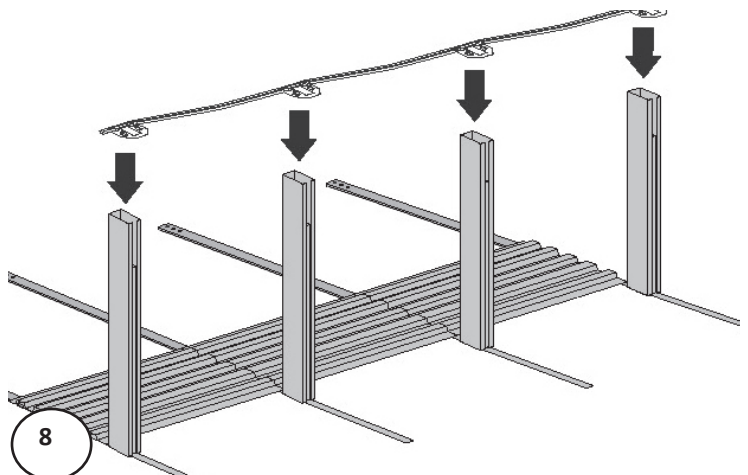
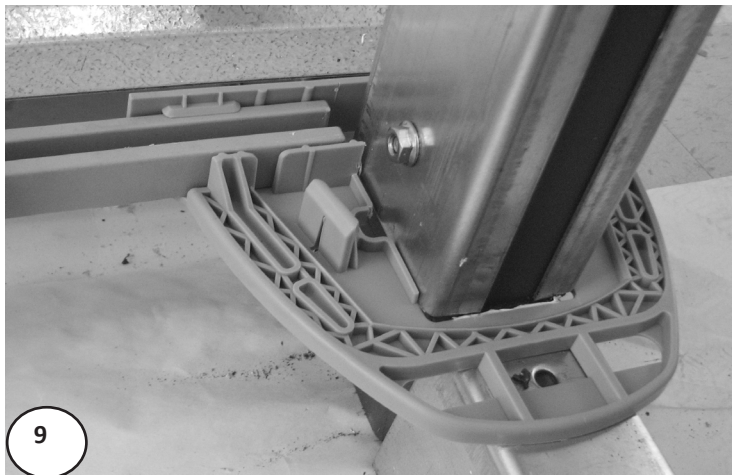
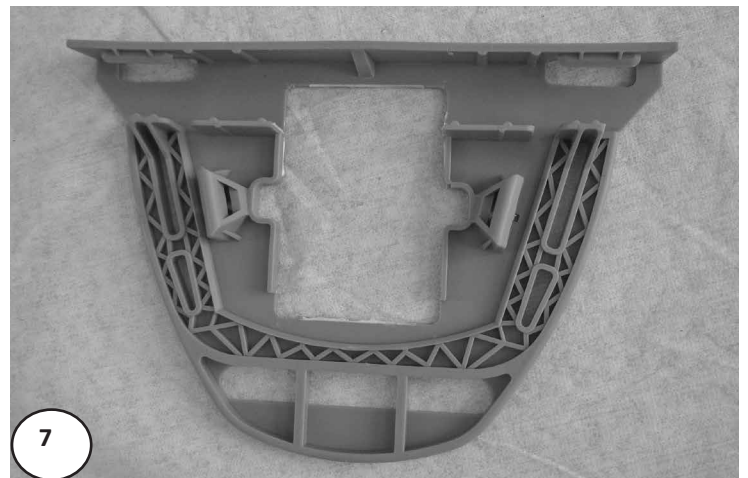
 **Important Note:**

PLEASE SEE NOTE ON THE PREVIOUS PAGE 2-2 IN REGARDS TO THE DIFFERENT LENGTHS OF BOTTOM RAILS.

**See Diagrams:**

Please refer to your pool's footprint for gap measurement,

- Insert the assembled bottom plate with bottom rail into the vertical sleeves. It is preferable to be two persons to accomplish this step. *(Images 8 & 9)*





## Section 2

# GENERAL INSTRUCTIONS - BRACELESS OVAL POOLS ASSEMBLING THE POOL BASE

## A. CONT. INSTALLATION OF BOTTOM PLATES AND BOTTOM RAILS

### 2. Bottom plates - ROUND SECTION

**NOTE:** Depending on your pool model you may have painted steel or resin bottom rails

- a. Continue the installation of the bottom plates of the round sections. Insert the end of each bottom rail into the bottom plate. Leave a gap between the ends of the bottom rails.

**Steel:** *Image 10*

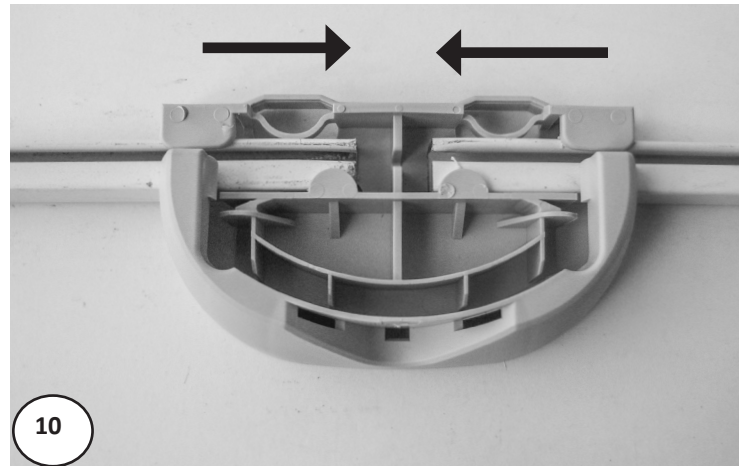
**Resin:** *Image 11*

See Diagram:  
Please refer to your pool's footprint (Section 1, last page) for gap measurement,

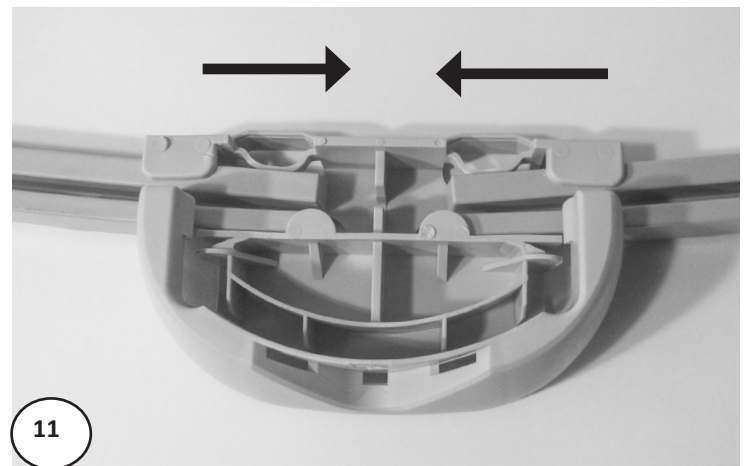
### Important Note:

PLEASE SEE NOTE ON THE PREVIOUS PAGE 2-2 IN REGARDS TO THE DIFFERENT LENGTHS OF BOTTOM RAILS.

STEEL



RESIN



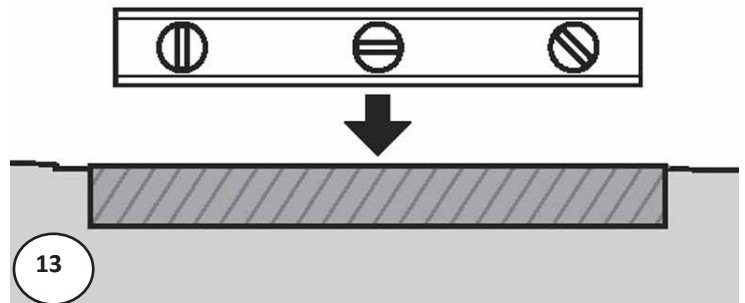
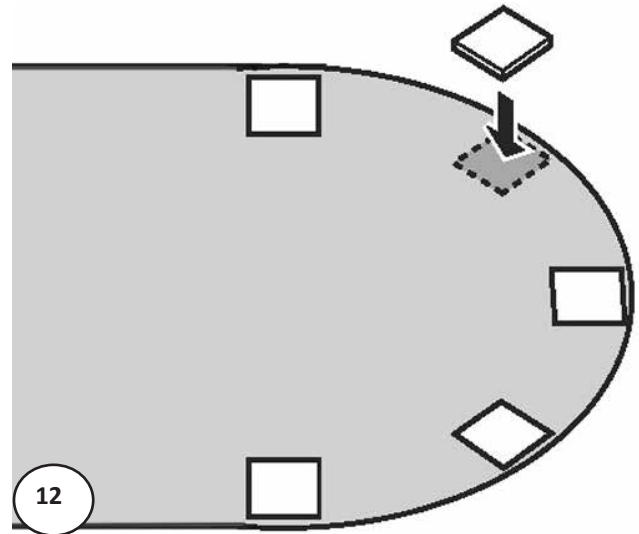
## Section 2

# GENERAL INSTRUCTIONS - BRACELESS OVAL POOLS ASSEMBLING THE POOL BASE

## A. CONT. INSTALLATION OF BOTTOM PLATES AND BOTTOM RAILS

### 3. Patio Stones (Optional)

- Concrete patio stones may be placed at the base of each upright of your pool. **(Image 12)**
- Each bottom plate will show the location for a patio stone. Make a mark in the ground at each base plate.
- Remove the bottom rails and bottom plates and lay out the patio stones around the circle where the bottom plates were.
- The patio stones must be sunk into the ground so the tops are flush with the soil around them. **Use the carpenter's level to make sure the patio stones are perfectly level and flush with the ground.** Use either the carpenter's level and a 2-by-4 (5cm x 10cm) wood plank, or the optical level between patio stones to make sure the stones are level with each other. **(Image 13)**
- Do not install blocks or rails on loose sifted soil or sand. There must be no space between the ground and the bottom of the rails. All patio blocks must be flush with the ground, solid and level with each other in all directions.



**NOTE:** Installing patio blocks is optional and the blocks may shift due to temperature changes.

### Important Note:

Make sure the patio stones are perfectly level and flush with the ground. All patio blocks must be flush with the ground, solid and level with each other in all directions.



## Section 2

# GENERAL INSTRUCTIONS - BRACELESS OVAL POOLS ASSEMBLING THE POOL BASE

## A. CONT. INSTALLATION OF OF BOTTOM PLATES AND BOTTOM RAILS

### 4. Measure the perimeter of your pool

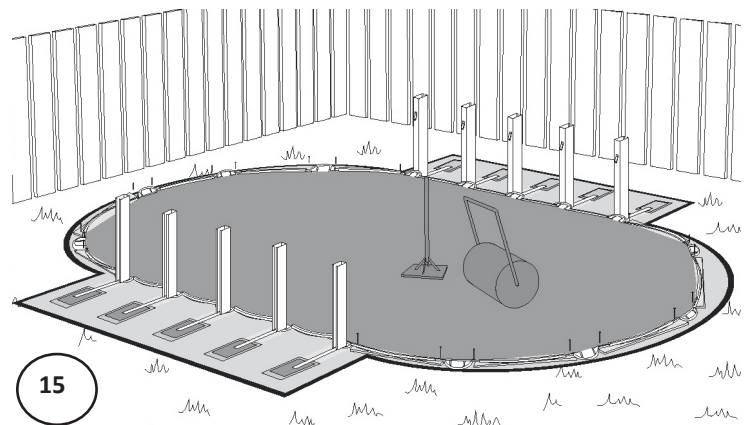
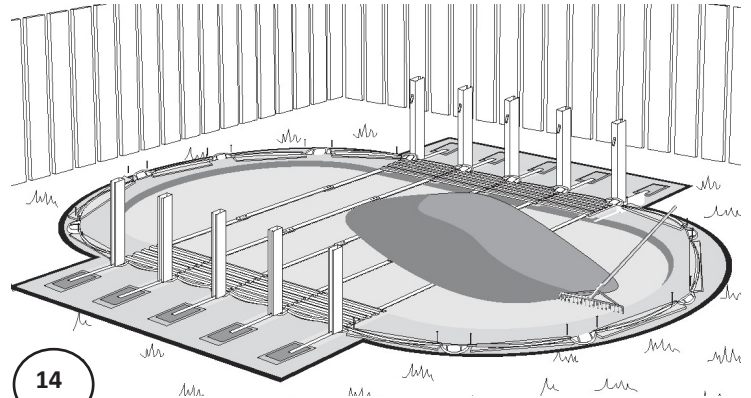
- Measure the perimeter of your pool and hammer nails into the ground to keep the bottom rails into place. These nails are to be removed only at the last step-when filling up the pool.
- Verify the height of each bottom plate with an optical level. Ensure that they are the same height.

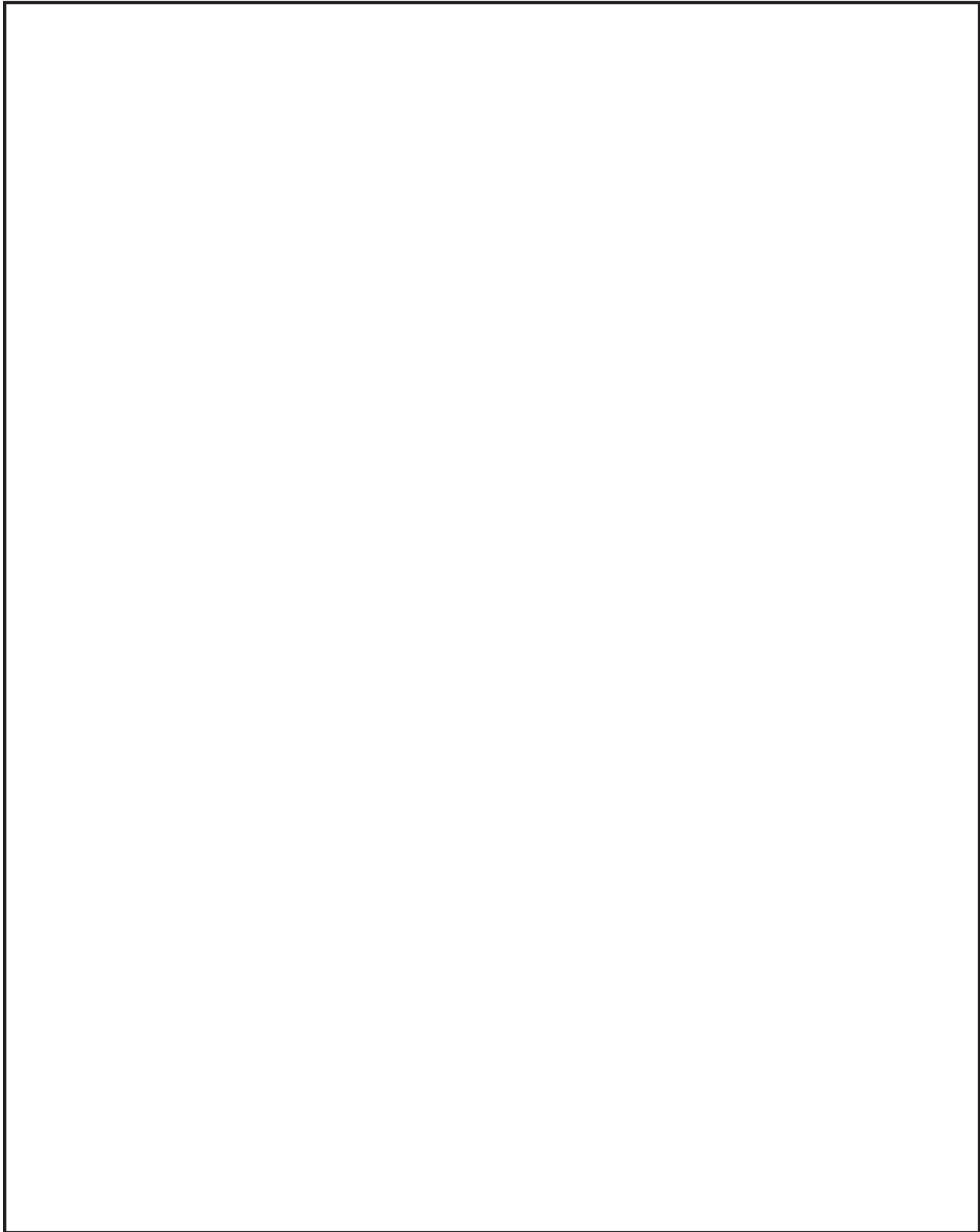
#### Important Note:

Use a soft measuring tape to measure around the perimeter of the pool. Measure from the inside of the bottom rail, the measurement should equal the wall length.

### 5. Fill inside the pool area

- Fill sand under the pressure plates first, make sure it is well compacted.
- Pour sifted sand in the centre of your pool. Ensure that you will have enough to spread approximately 2" (2.5cm) around the inside pool area. **(Image 14)**
- Spread the sand inside the pool area. Make sure not to spread the sand onto or beyond the bottom rails. Compact the sand manually or mechanically. **(Image 15)**





## Section 3

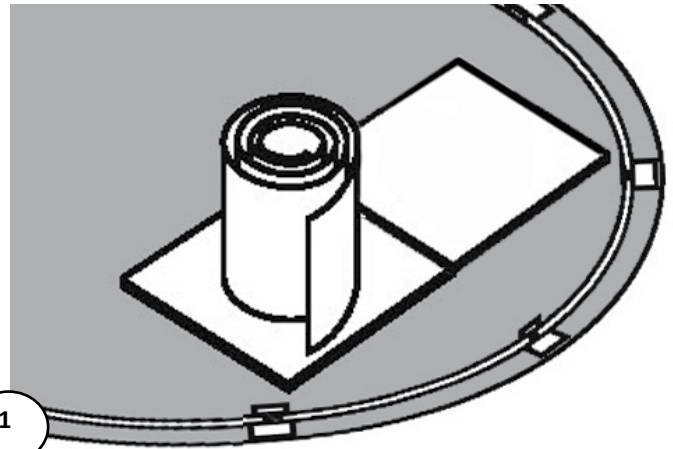
# GENERAL INSTRUCTIONS - BRACELESS OVAL POOLS ASSEMBLING THE POOL WALL

## A. SETTING UP THE POOL WALL

**Do not attempt to install the pool wall in the wind, wait for a calm day.**  
**It takes at least 3 people to install the pool wall.**

### 1. Preparing for the wall installation

- Bring the following items into the middle of the pool foundation before you start uncoiling the pool wall: plywood, some extra sand or fine dirt to make the cove and a ladder to climb out after the wall is assembled.
- Make sure the skimmer and water return holes are located where you need them to be. The skimmer and water return holes are positioned towards the end of the wall, **(the section before where the wall started)**.



### 2. Set the pool wall in place.

- Unpackage the coiled pool wall and stand it on 2 pieces of plywood at the place close to where you need to install the skimmer. **(Image 1)**  
*(Remember the skimmer and water return holes will be placed at the section just before where you started the wall installation).*
- Start uncoiling the wall, guiding the bottom edge into the curved bottom rail. The starting end of the wall must be positioned in the centre of a bottom plate, and the skimmer and return holes should be positioned where the pump and filter will be. **(Image 2)**
- As you erect the wall, install the stabilizers temporarily to obtain greater stability. You should also use heavy vinyl-covered hooks and rope to hold the wall steady. Ideally, however, you should work with several people. **(Image 3)**
- When uncoiling the wall, the skimmer and return holes are positioned toward the end of the wall.



### Important Note:

It is preferable to use very fine sand that is easily compacted. Be careful not to spill sand on the bottom rails. Be sure to clear sand or stone dust from the bottom rails otherwise the wall will buckle.

## Section 3

# GENERAL INSTRUCTIONS - BRACELESS OVAL POOLS ASSEMBLING THE POOL WALL

## A. CONT. SETTING UP THE POOL WALL

### 3. Join the ends of the pool wall

- a. Line up the holes in the two ends of the pool wall.  
*(Image 4)*
- b. Now that you have installed the wall you can be faced with three scenarios.
  - 1) The wall joints align perfectly, if so, move on to the next step (c).
  - 2) Your wall appears to be too short. **It is not.** However the space between the bottom rails must be decreased by lightly tapping the bottom plates towards the inside of the pool. You can also tap the wall lightly with both hands in the desired direction.  
*(Image 5)*
  - 3) Your wall appears too long. **It is not.** However the space between the bottom rails must be increased by tapping the bottom plates lightly towards the outside of the pool or by tapping the wall with both hands in the desired direction.  
*(Image 6)*

You **MUST** recheck the gaps at each and every one of the bottom rails so that they are all equal in gap size.

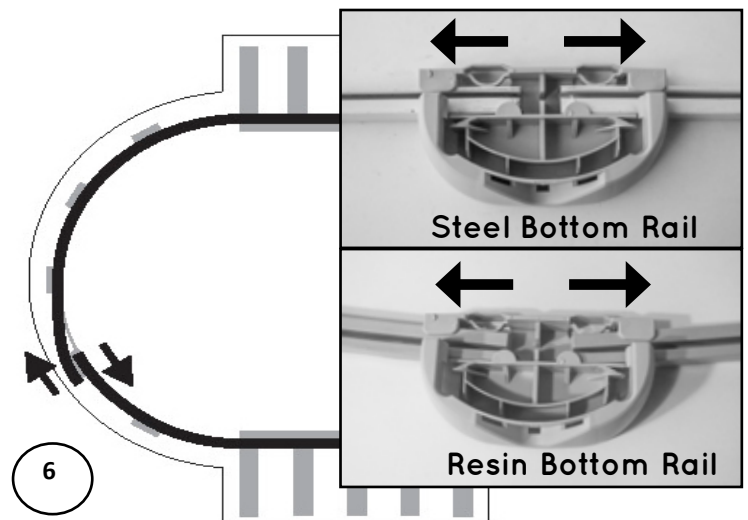
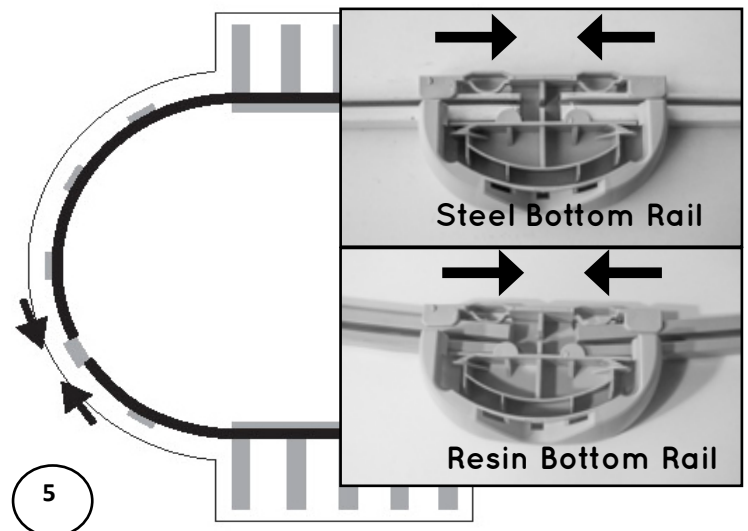
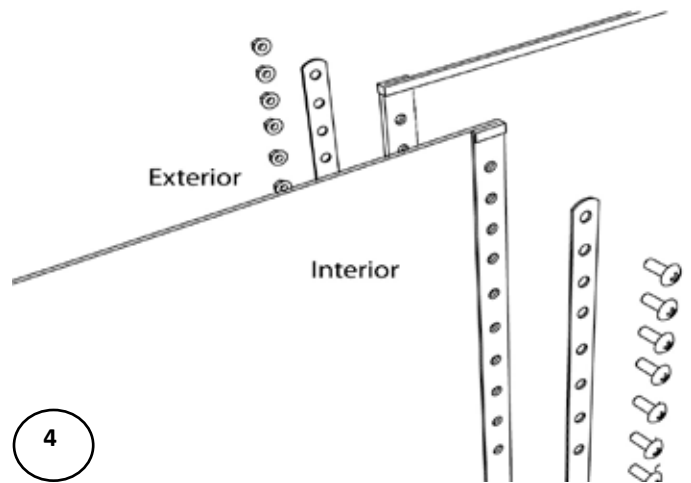
3) Your wall appears too long. **It is not.** However the space between the bottom rails must be increased by tapping the bottom plates lightly towards the outside of the pool or by tapping the wall with both hands in the desired direction. *(Image 6)*

You **MUST** recheck the gaps at each and every one of the bottom rails so that they are all equal in gap size.

**⚠ Important Note:**  
Bottom rails must always be held in place in the bottom plate.

**⚠ Important Note:**  
You **MUST** recheck the gaps at each and every one of the bottom rails so that they are all equal in gap size.

- c. Recheck the position of the upright, refer to your pool's footprint diagram.



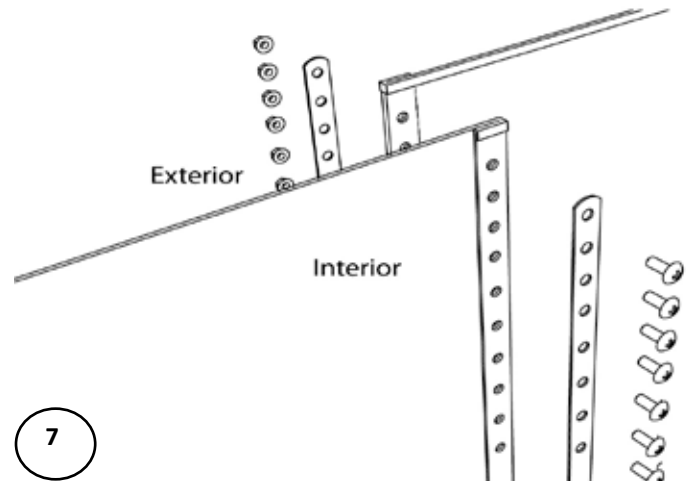
## Section 3

# GENERAL INSTRUCTIONS - BRACELESS OVAL POOLS ASSEMBLING THE POOL WALL

## A. CONT. SETTING UP THE POOL WALL

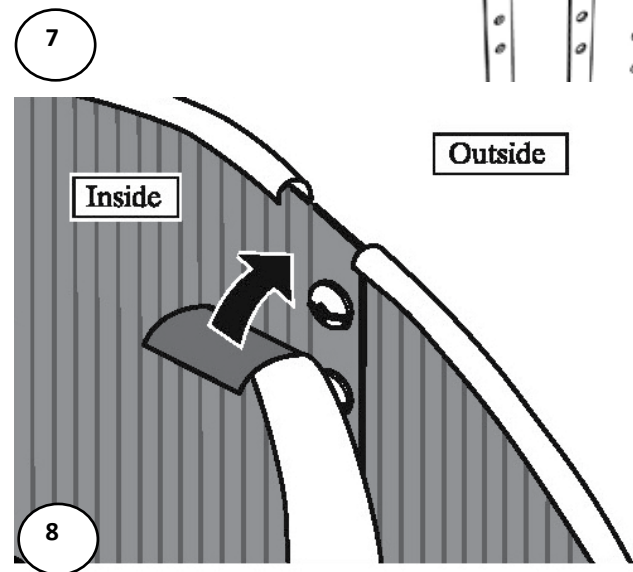
- d. To fasten the wall joint, overlap the two steel bars, one on the inside and the other on the outside. Tighten the mechanical screws on the inside and the nuts on the outside. Ensure that all bolts and all the holes are used. **(Image 7)**

**Important Note:**  
Stick a screwdriver through two of the holes to help line up the ends of the wall.



When tightening the screws start from either the top and go down or vice versa. Do not start a few screws from top and a few from the bottom to meet in the middle, this can cause problems later on.

- e. Adjusting the pool to the proper shape may cause the bottom rails and bottom plates to slip out of alignment a little. Recheck all of the bottom plates to make sure each one is centred where the bottom rails meet.
- f. Cover the seam and bolt heads on the inside/interior of the pool wall completely with 2" (50mm) duct tape. **(Image 8)**



**Important Note:**  
The pool must be level across the perimeter. A pool that is not level is dangerous and may collapse.



## Section 3

# GENERAL INSTRUCTIONS - BRACELESS OVAL POOLS ASSEMBLING THE POOL WALL

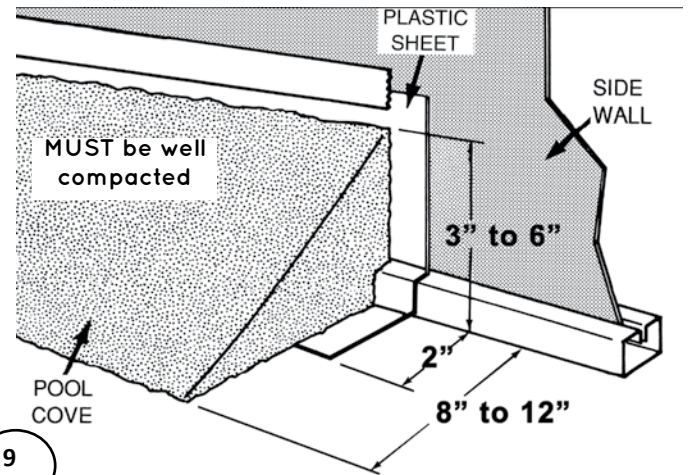
## B. ASSEMBLING THE COVE

### 1. Make the cove

- a. If you are using sand, bank the sand against the wall to form a cove of 3" to 6" (7.5cm to 15cm) high and 8" to 12" (20cm to 30cm) wide at ground level. This will prevent the liner from creeping under the wall, and it will also protect the liner from any metal edges of the pool framework. **THIS STEP IS NOT OPTIONAL, IT MUST BE DONE.** (Image 9)

**NOTE:** If a smaller cove (less than 3" (7.5cm)) is made along with using a very tight liner, this will buckle the wall.

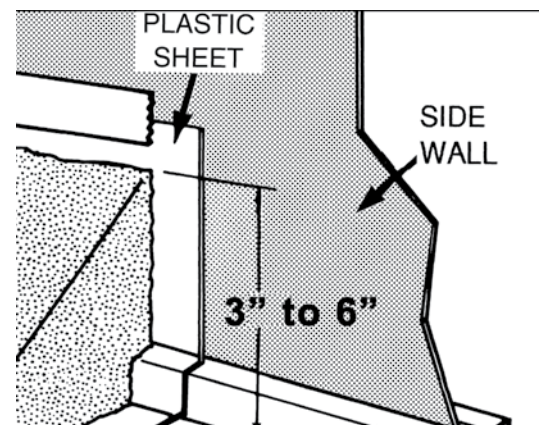
- b. Water the sand to compact it and use a trowel to spread it evenly. **IMPORTANT: You must ensure that the sand is very well compacted.** (Image 10)
- c. Since earth containing chemicals can cause discoloration or corrosion, it is suggested that you place **polyethylene plastic sheeting** under the cove around the perimeter of the wall, so no earth comes in contact with the metal. Since the presence of such chemicals is beyond the control of the manufacturer, such damage is not covered under warranty. (Image 11)
- d. If you are using styrofoam cove pieces instead of sand, insert them in the bottom rail and refer to the installation instructions that are provided with them.



9



10



11



### Important Note:

The cove is an important part of the pool structure. Take your time to make a complete, full-size cove.

## Section 3

# GENERAL INSTRUCTIONS - BRACELESS OVAL POOLS ASSEMBLING THE POOL WALL

## B. CONT. ASSEMBLING THE COVE

- e. A vacuum cleaner can later be used to remove the air from between the liner and the wall. This technique enables you to remove folds in the liner. However the following precautions should be taken:

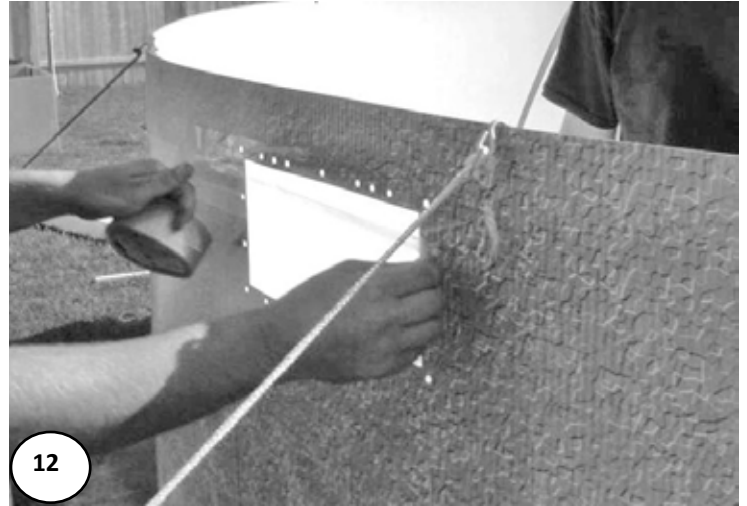
Do not use an industrial vacuum cleaner which could be too powerful.

Tape the end of the vacuum hose before inserting it into the wall so as not to damage the liner.

Insert the nozzle until it is about 4" (10cm) above the cove (insert through the water return outlet or the skimmer depending on the diameter of your hose). Make sure you will be able to remove the hose later on.

Tape the hose to the wall.

- f. Close the skimmer opening with cardboard and adhesive tape so that the suction of air works better. **(Image 12)**



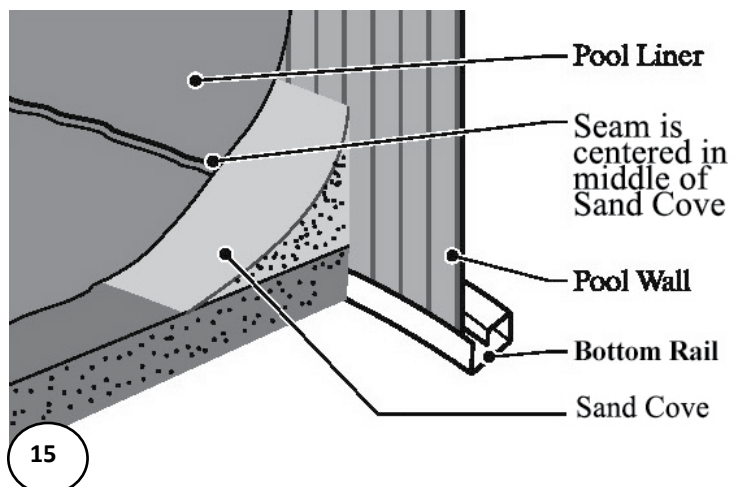
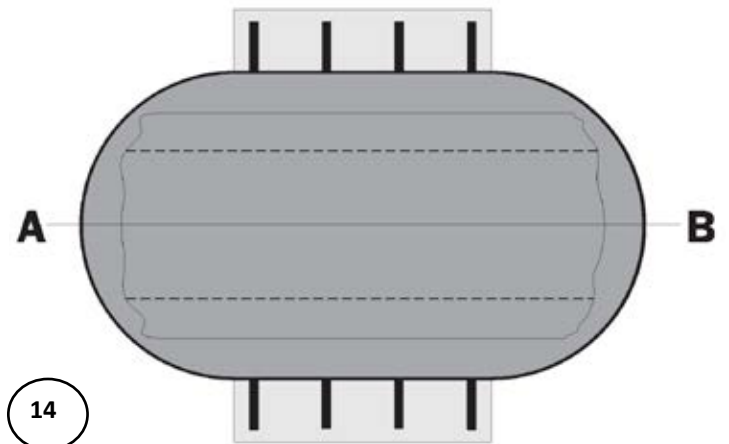
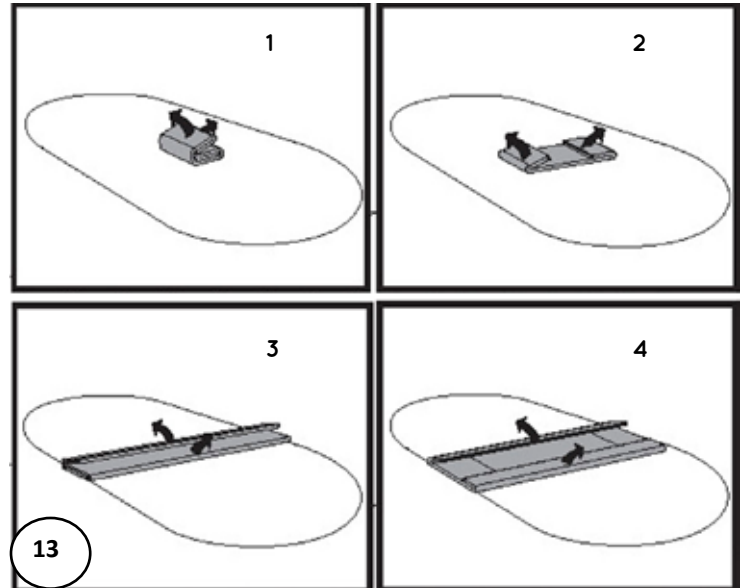
## Section 3

# GENERAL INSTRUCTIONS - BRACELESS OVAL POOLS ASSEMBLING THE POOL WALL

## C. INSTALL THE POOL LINER

### 1. Set the liner in place

- Open the carton. Do not use anything sharp to open the carton.
- Unpack and unfold the liner and spread it out in the sun to warm it up. Inspect all the seams and surfaces for holes.
- Remove your shoes to avoid damaging the base or tearing the liner.
- Spread out the liner, smooth side down. Unfold the liner from the centre of the pool toward the sides. *(Image 13)*
- Use the liner's bottom seam(s) as a guide and make sure the seam(s) are parallel to the straight sections and to the imaginary line which links points A and B in the illustration *(Image 14)*. It is recommended that you begin installing the liner in a round section.
- Use the liner's vertical seam as a guide and make sure the seam is vertical and perpendicular to the wall and bottom.
- Make sure the seam between the wall and bottom is centred on the cove *(Image 15)*
- Smooth out all the wrinkles in the bottom. Do not leave any space between the liner and cove.



#### Important Note:

If possible, unfold the liner on the grass one to two hours before installation. Be careful not to leave the liner too long or you may damage the grass.

#### Important Note:

The liner is generally smaller than the support structure of the pool. It will stretch more easily when warm. It is important that the liner is installed on a warm sunny day. **AVOID USING EXTRA COLD WATER AND INSTALLING ON A COLD DAY.**



## Section 3

# GENERAL INSTRUCTIONS - BRACELESS OVAL POOLS ASSEMBLING THE POOL WALL

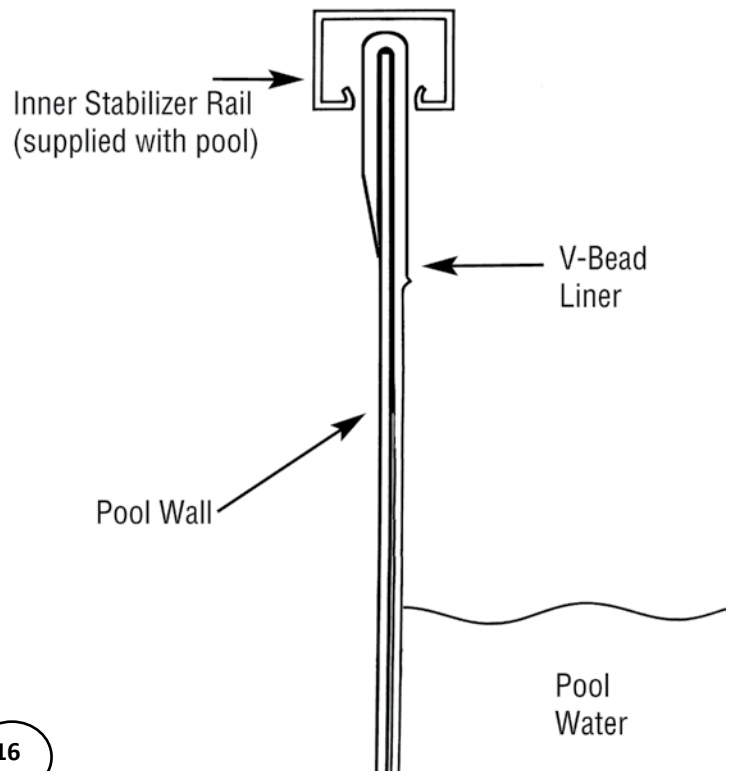
## C. CONT. INSTALL THE POOL LINER

Please ensure to follow instructions that match the type of liner you may have.

### 2. Fasten the liner place

#### 2-1. For UBEAD/HUNG/J or V-BEAD LINER ONLY (Please see step 2-2. or 2-3. for other liner)

- a. With a V-Bead liner you will **not use the plastic coping strips** that are packed in the parts carton of your pool. You can discard those pieces, if they are included, as they only apply to pools with overlap liners.
- b. The top of the wall of the liner has what is called a "V-Bead" welded onto it. Simply open up the bead with your fingers and hang it directly on top of the pool wall. When this is done properly, the only portion on the outside of the pool wall is approximately 1" of the V-Bead. No printed liner material is actually going over the top of the wall to the outside of the wall. **(Image 16)**
- c. Make sure the bead is on evenly around the entire pool, and that the liner is hanging straight down from the top of the wall. The liner should not have creases in it because it is twisting around the pool. If the liner is twisting, it is because it is not sitting properly in the pool. Make necessary adjustments before proceeding.



NOTE: Some liners may fit very tightly, it is better to install uprights, top plate and rail before going onto next step. See Section 4.

### 3. Proceed to Section 4 - Installing the Pool Frame



#### Important Note:

Do not trim off the excess liner. (If the liner ever needs to be removed, trimming the liner will make re-installation very difficult.) Instead, roll up any excess liner and tape it in place near the top of the pool wall.

## Section 3

# GENERAL INSTRUCTIONS - BRACELESS OVAL POOLS ASSEMBLING THE POOL WALL

## C. CONT. INSTALL THE POOL LINER

### 2-2. For STANDARD/BEADLOCK/SNAPBEAD LINER ONLY (Please see step 2-1. or 2-3. for other liner)

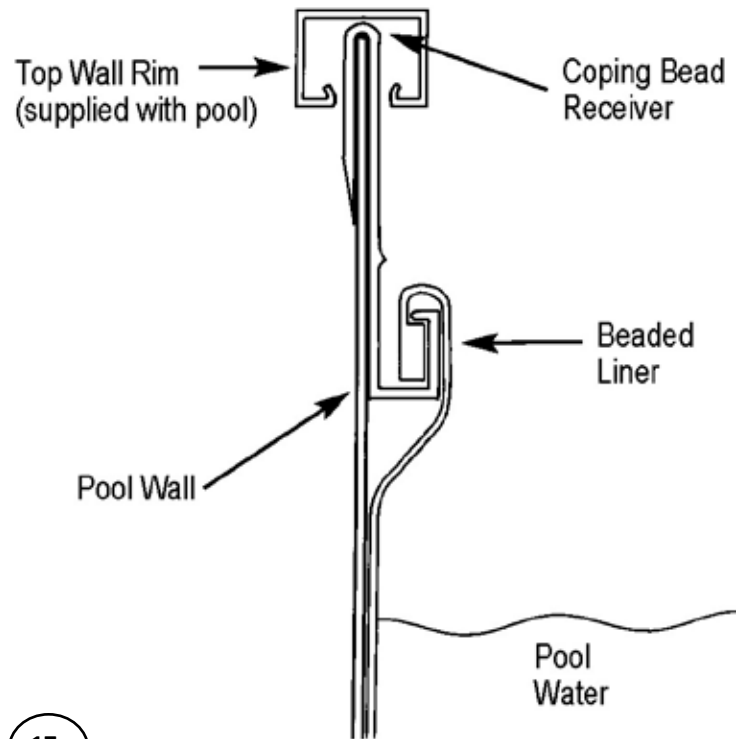
- a. With a snap bead liner you will **not use the plastic coping strips** that are packed in the parts carton of many pools. You can discard those pieces (if they are included). Instead, you should have received a beaded liner track (referred to as a "coping bead receiver" in *Image 17*).
- b. The beaded liner track should be installed onto the pool wall all of the way around the pool. These pieces should be as close together as possible. Leaving spaces between bead tracks can cause liner problems later on.
- c. Once all of the beaded liner track is on the wall, you can snap the liner bead into the beaded liner track at four random points around the pool. After that is done, and you are satisfied with how the liner is situated within the pool, you can continue snapping the remainder of the liner into place around the pool.
- d. Go around the entire pool again making certain that the liner is securely snapped into the track. This is important to confirm so that the liner does not pull out while under the pressure of being filled with water.

NOTE: Some liners may fit very tightly, it is better to install uprights, top plate and rail before going onto next step. See Section 4.

#### Important Note:

Do not trim off the excess liner. (If the liner ever needs to be removed, trimming the liner will make re-installation very difficult). Instead, roll up any excess liner and tape it in place near the top of the pool wall.

### 3. Proceed to Section 4 - Installing the Pool Frame



17

## Section 3

# GENERAL INSTRUCTIONS - BRACELESS OVAL POOLS ASSEMBLING THE POOL WALL

## C. CONT. INSTALL THE POOL LINER

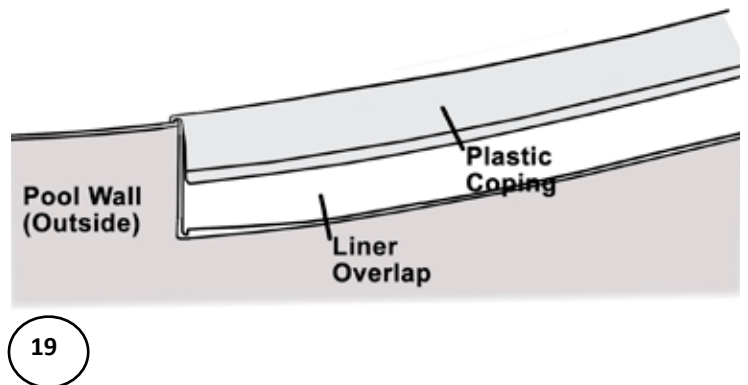
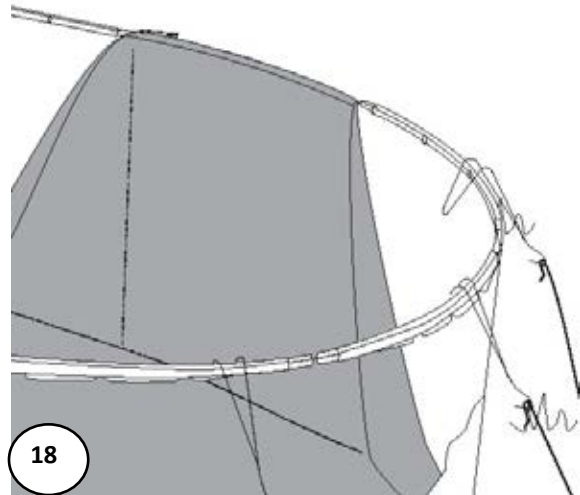
### 2-3. For OVERLAP ONLY

(Please see step 2-1. or 22. for other liner)

- a. Starting at the liner wall seam, hang the liner over the wall making sure that the seam is straight up and down, perpendicular to the floor. (Remove stabilizers gradually as you fold the liner over the top of the wall.) This will assure you that the liner begins going over the wall straight. **(Image 18)**
- b. As you put the liner over the wall you can secure it by using the plastic coping strips to keep it in place. If you end up with excess material, continue around the pool, pulling excess liner evenly, and distribute over the wall until the excess is gone. **(Image 19)**
- c. Fasten the liner to the top of the wall with plastic coping. Let the liner hang slack for now. Do not pull the liner tight. **(Image 19)**

NOTE: Some liners may fit very tightly, it is better to install uprights, top plate and rail before going onto next step. See Section 4.

- d. Turn the vacuum cleaner on and push the liner outward with your feet to iron out any wrinkles. Once finished, turn off vacuum cleaner.
- e. Start filling the pool with water. As the pool fills, work out all the wrinkles and smooth the liner to the wall. Remove the plastic coping around the top edge of the wall one piece at a time and adjust the liner. Keep smoothing out the wrinkles.



### Important Note:

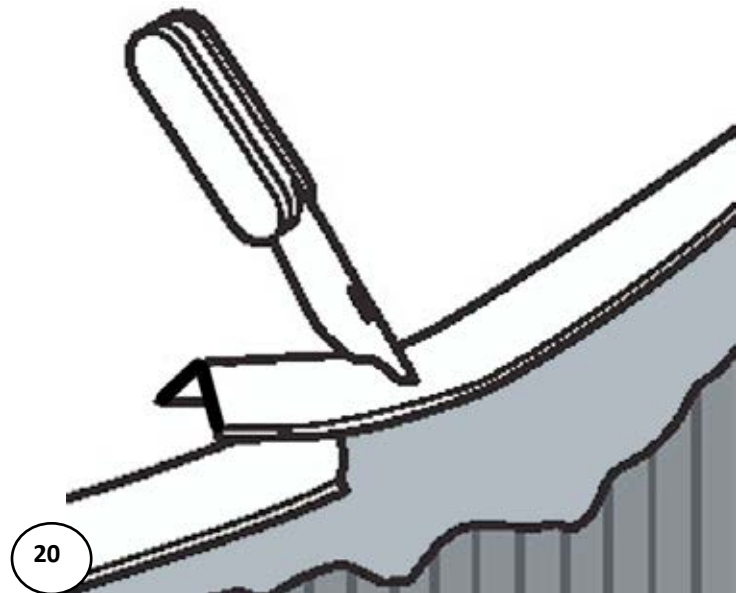
Do not trim off the excess liner. (If the liner ever needs to be removed, trimming the liner will make re-installation very difficult). Instead, roll up any excess liner and tape it in place near the top of the pool wall.

## Section 3

# GENERAL INSTRUCTIONS - BRACELESS OVAL POOLS ASSEMBLING THE POOL WALL

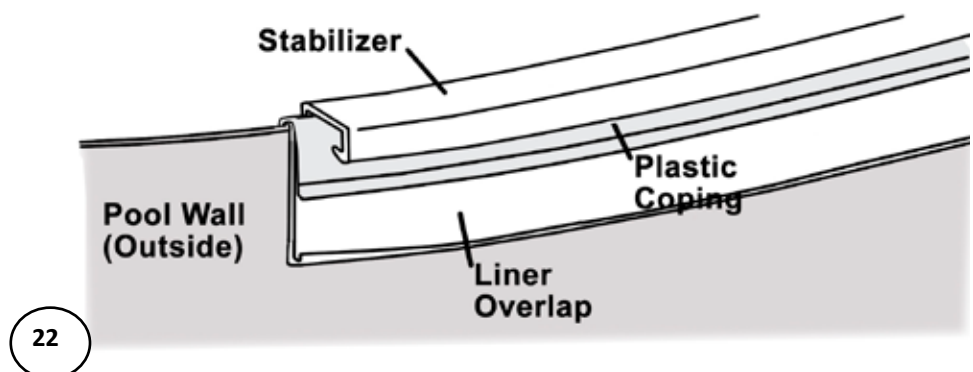
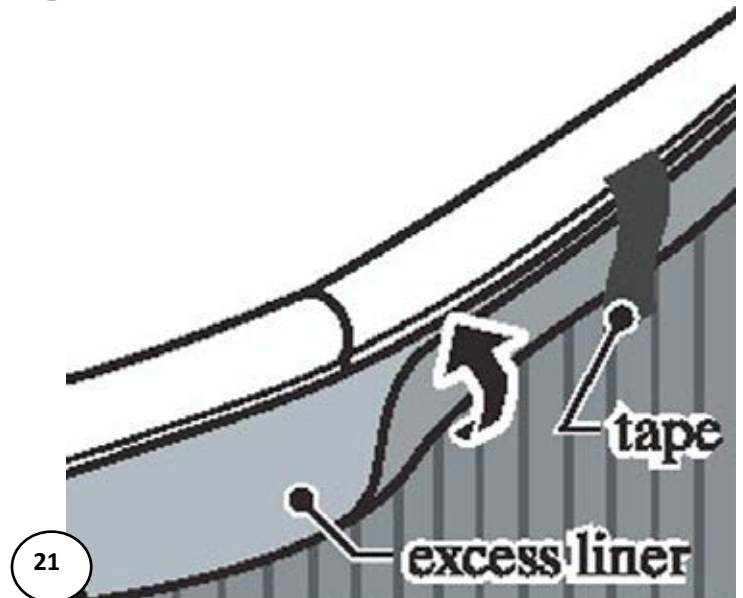
## C. CONT. INSTALL THE POOL LINER

- f. After all the wrinkles in the liner are removed, trim any extra length of plastic coping so there is no overlap. *(Image 20)*
- g. Roll up any excess liner hanging below the plastic coping and tape it in place near the top of the pool wall. **Important:** Do not trim off the excess liner. *(Image 21)*
- h. Install stabilizers. *(Image 22)*



**Important Note:**  
Do not trim off the excess liner. (If the liner ever needs to be removed, trimming the liner will make re-installation very difficult). Instead, roll up any excess liner and tape it in place near the top of the pool wall.

### 3. Proceed to Section 4 - Installing the Pool Frame



## Section 4

# GENERAL INSTRUCTIONS - BRACELESS OVAL POOLS ASSEMBLING THE POOL FRAME

## A. INSTALLATION OF THE UPRIGHTS - Straight Section

### 1. Install the uprights - Straight Section

**NOTE:** Depending on your pool model you may have steel or resin bottom plates/rails.

- The wall joint is hidden behind the upright on most pools. This assures that the skimmer and skimmer return holes are not obstructed.
- Insert an upright into the bottom plate. The upright will cover the vertical sleeve. Ensure that the upright is correctly inserted into the bottom plate. *(Image 1)*
- Please note that the holes meant to receive the ledge cover are placed asymmetrically. This means that the holes which are at each extremity of the upright are not placed at the same distance from each extremity of the upright.
- Using two (2) (V12x34) screws attach the bottom of the uprights to the bottom plates. *(Images 2 & 3)*

Proceed with the installation of the uprights

**⚠ Important Note:**  
Use the ridges in the pool wall to make sure the upright column is straight up and down.

**⚠ Important Note:**  
Ensure to leave a gap between the two bottom rails.

**See Diagram:**  
Please refer to your pool's footprint (Section 1) for gap measurement.



## Section 4

# GENERAL INSTRUCTIONS - BRACELESS OVAL POOLS ASSEMBLING THE POOL FRAME

## A. CONT. INSTALLATION OF THE UPRIGHTS - Round Section

### 2. Install the uprights - Round Section

- a. The wall joint is hidden behind the upright on most pools. This assures that the skimmer and skimmer return holes are not obstructed.
- b. Insert an upright into the bottom plate. Squeeze each side of the upright at the bottom into the bottom plate. Push firmly on the upright while ensuring that it is completely inserted into the bottom plate. (*Image 4*)
- c. Attach the bottom of the uprights to the bottom plates using a screw (V12x34). (*Image 5*)
- d. Install the finishing plug. (*Image 6*)

Proceed with the installation of the uprights.

**⚠ Important Note:**  
Use the ridges in the pool wall to make sure the upright column is straight up and down.

**⚠ Important Note:**  
Ensure to leave a gap between the two bottom rails.

**See Diagram:**  
Please refer to your pool's footprint (Section 1, last page) for gap measurement.





## Section 4

# GENERAL INSTRUCTIONS - BRACELESS OVAL POOLS ASSEMBLING THE POOL FRAME

## B. INSTALLATION OF THE STABILIZERS AND TOP PLATES - Straight Section

### 1. Install stabilizers and top plates - Straight Section STEEL Only

- Install the stabilizers on the wall while ensuring to leave a gap between each end.

**IMPORTANT:** If you have STEEL, insert a Junction rail into either side of the stabilizer in the straight section only, before inserting into either side of the top plate. *(Images 7 to 9)*

For the Round section you DO NOT need to insert a Junction Rail.

- Make sure the recessed portion of the top plates lie to the inside of the uprights. *(Image 10)*
- Attach the upright to the top plate using screws.

Repeat until you have installed all the stabilizers and top plates in the straight section.

**⚠ Important Note:**  
Ensure to leave a gap between the two stabilizers.

**See Diagram:**  
Please refer to your pool's footprint (Section 1, last pages) for gap measurement.



## Section 4

# GENERAL INSTRUCTIONS - BRACELESS OVAL POOLS ASSEMBLING THE POOL FRAME

## B. INSTALLATION OF THE STABILIZERS AND TOP PLATES - Straight Section

### 1. Install stabilizers and top plates - Straight Section RESIN Only

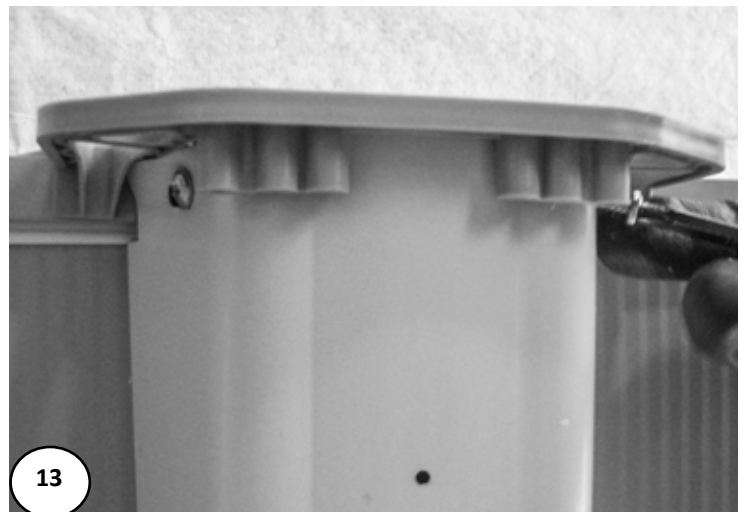
- Install the stabilizers on the wall while ensuring to leave a gap between each end.
- Make sure the recessed portion of the top plates lie to the inside of the uprights. *(Images 11 & 12)*
- Attach the upright to the top plate using screws (V12x34). *(Image 13)*

Repeat until you have installed all the stabilizers and top plates in the straight section.



 **Important Note:**  
Ensure to leave a gap between the two stabilizers.

**See Diagram:**  
Please refer to your pool's footprint (Section 1, last pages) for gap measurement.





## Section 4

# GENERAL INSTRUCTIONS - BRACELESS OVAL POOLS ASSEMBLING THE POOL FRAME

## B. INSTALLATION OF THE STABILIZERS AND TOP PLATES - Round Section

### 2. Install stabilizers and top plates - Round Section

**NOTE:** Depending on your pool model you may have steel or resin top plates.

- a. Install the stabilizer on the wall while ensuring to leave a gap between each end. Insert the stabilizer into either side of the top plate.

**Steel: Image 14**

**Resin: Image 16**

- b. Position stabilizers and top plates just assembled on top of wall by slightly tapping them with a mallet. Make sure the recessed portion of the top plates lie to the inside of the uprights.

- c. Ensure that the upright is level.

- d. Attach the upright to the top plate using screws(V12x34).

**Steel: Image 15**

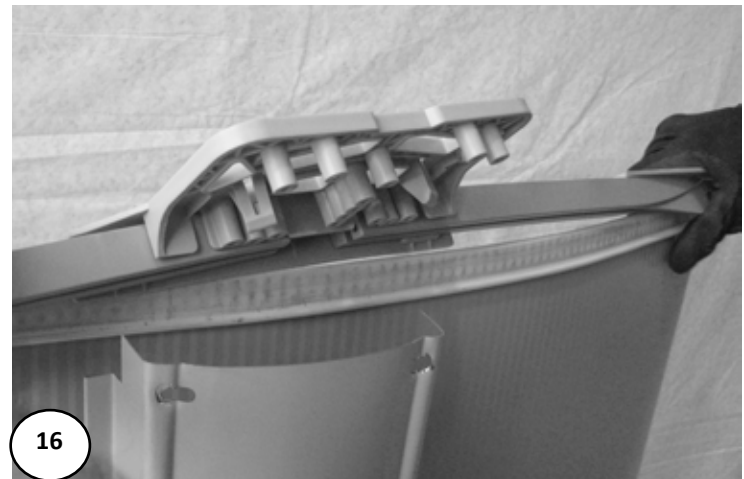
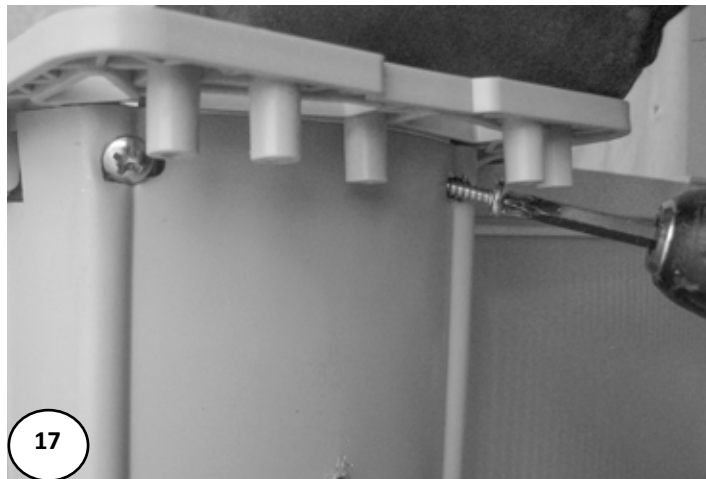
**Resin: Image 17**

Repeat until you have installed all the stabilizers and top plates.



#### **Important Note:**

Ensure to leave a gap between the two stabilizers.



## Section 4

# GENERAL INSTRUCTIONS - BRACELESS OVAL POOLS ASSEMBLING THE POOL FRAME

## C. INSTALLATION OF TOP LEDGE AND LEDGE COVERS

### 1. Install top ledge

**NOTE:** Depending on your pool model you may have steel or resin top ledge.

- a. Place top ledges on the wall. Align the holes on the top ledges with those on the top plates. Make sure the space left between each top ledge is uniform all around and that the space in question can be covered by a ledge cover. Attach the top ledges to the top plates using screws.

**Steel Top Ledge on Steel Top Plate:** *Image 18 (V12x34)*

**Resin Top Ledge on Steel Top Plate:** *Image 19 (V12x34)*

**Resin Top Ledge on Resin Top Plate:**

*Image 20 (VHL12x114S / FW10x34S)*



#### Important Note:

We suggest that you install all the top ledges on the wall before attaching them.



## Section 4

# GENERAL INSTRUCTIONS - BRACELESS OVAL POOLS ASSEMBLING THE POOL FRAME

## C. CONT. INSTALLATION OF TOP LEDGE AND LEDGE COVERS

### 2. Install ledge covers (Steel Top Ledge)

**NOTE:** The following instructions are for Ledge covers being attached to a steel top ledge and steel top plate. Continue to next page step 2.1. Install ledge covers (Resin Top Ledge), if you have resin top ledges.

- Place interior ledge cover onto the joiner plate. **(Image 21)**
- Slide the exterior ledge cover into the ledge cover guide. **(Image 22)**
- Attach the interior and the exterior ledge covers to the top plate with a screw (V12x34). **(Image 23)**

Note: During assembly, the inner and outer components of the ledge cover may have been slipped into each other for packaging purposes.

*Please continue to Step 3. Finish Ledge covers.*



#### **Important Note:**

We suggest that you install all the top ledges on the wall before attaching them.



Section  
4

## GENERAL INSTRUCTIONS - BRACELESS OVAL POOLS ASSEMBLING THE POOL FRAME

### C. CONT. INSTALLATION OF TOP LEDGE AND LEDGE COVERS

#### 2.1. Install ledge covers (Resin Top Ledge)

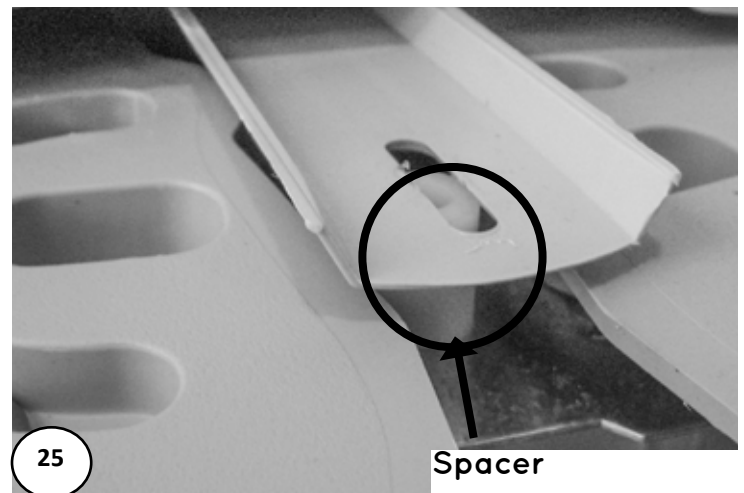
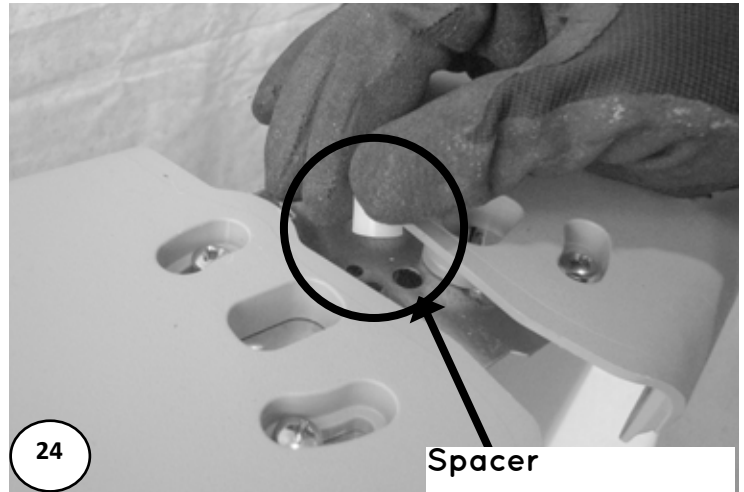
**NOTE:** The following instructions are for Ledge covers being attached to a resin top ledge and steel or resin top plate.

- a. Make sure to insert spacer between ledge and ledge covers. Place interior ledge cover onto the joiner plate, on top of spacer.

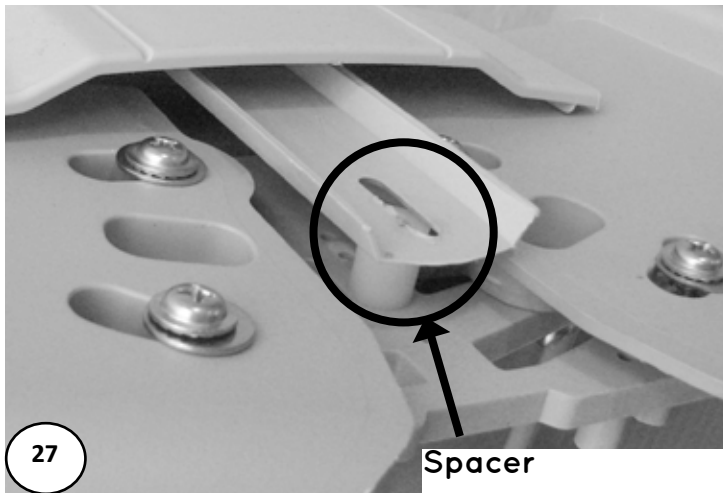
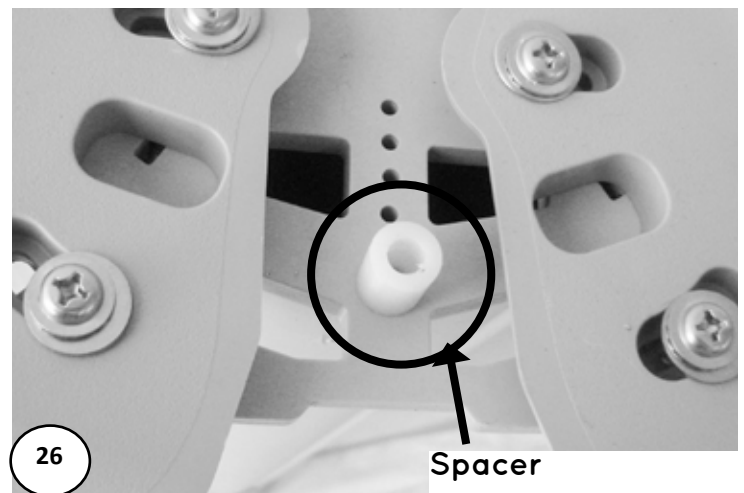
**Steel Top Plate: Images 24 & 25**

**Resin Top Plate: Images 26 & 27**

Note: During assembly, the inner and outer components of the ledge cover may have been slipped into each other for packaging purposes.



**⚠ Important Note:**  
We suggest that you install all the top ledges on the wall before attaching them.





## Section 4

# GENERAL INSTRUCTIONS - BRACELESS OVAL POOLS ASSEMBLING THE POOL FRAME

## C. CONT. INSTALLATION OF TOP LEDGE AND LEDGE COVERS

- b. Slide the exterior ledge cover into the ledge cover guide. **(Image 28)**
- c. Align the spacer with ledge cover by using a small screw driver and attach the interior and the exterior ledge covers to the top plate with a screw (VHL12x114S). **(Images 29 & 30)**

Note: During assembly, the inner and outer components of the ledge cover may have been slipped into each other for packaging purposes.



**⚠ Important Note:**  
We suggest that you install all the top ledges on the wall before attaching them.

## Section 4

# GENERAL INSTRUCTIONS - BRACELESS OVAL POOLS ASSEMBLING THE POOL FRAME

## C. CONT. INSTALLATION OF TOP LEDGE AND LEDGE COVERS

### 3. Finish ledge covers (For both Steel or Resin Top Ledge)

- a. Attach the exterior ledge cover to the upright using a screw (V12x34). (*Image 31*)
- b. Install the finishing plugs on the ledge cover. (*Images 32 & 33*)



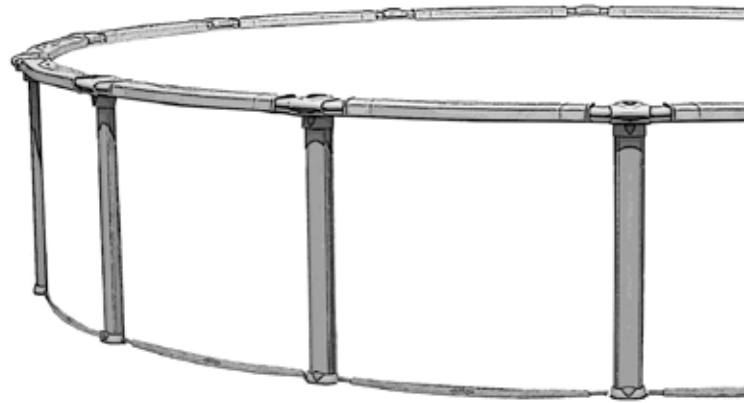
## Section 4

# GENERAL INSTRUCTIONS - BRACELESS OVAL POOLS ASSEMBLING THE POOL FRAME

## D. FILL YOUR POOL WITH WATER

### 1. Finish filling the pool

- a. Turn off the vacuum and carefully remove it from the pool.
- b. Fill the pool with water to 2" (5cm) below the lowest opening. Make sure you remove any creases from the liner in the bottom of the pool before the water level gets too high.
- c. While the pool is filling, remove the nails that were holding the bottom rails in place.
- d. Your pool is now installed. You must now install the filter and pump, the skimmer and water return inlet. Please follow the installation instructions that come with these products.



### Important Note:

Before making any openings in the liner, fill the pool with 60cm (24") of water to stretch the liner fully. When filling your pool, begin with a garden hose until there is about 30cm (12") of water in the pool. This will allow the liner to stretch gradually. You can then use a heavier flow to finish filling it up.

### IMPORTANT:

Make sure that your pool is round, do not assume that by filling up the pool that this will help the pool to place itself into a perfect round circle. Ensure that it is round before filling up the pool with water.

### IMPORTANT SAFETY INFORMATION:

Please refer to the safety page at the beginning of this instruction manual. You must follow the rules and information regarding placement of safety stickers on your pool.

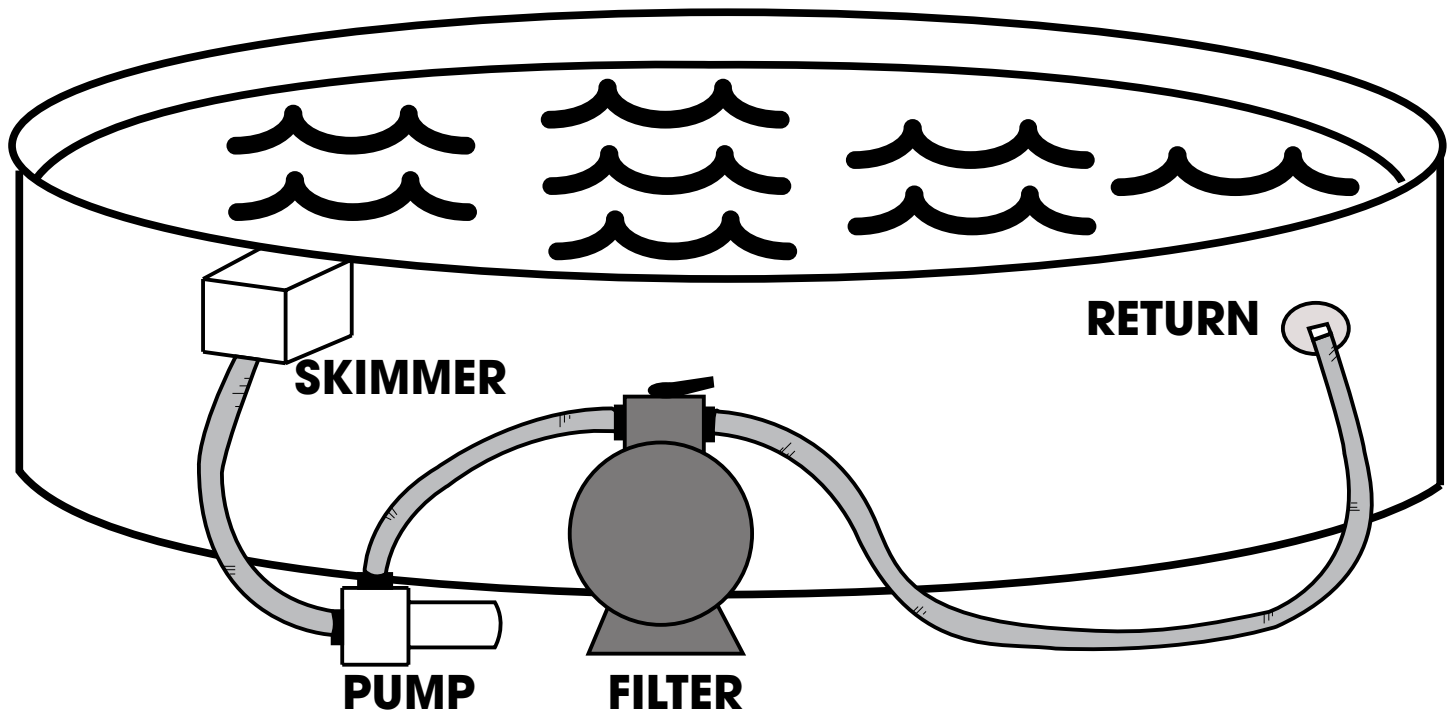
Section  
4

**GENERAL INSTRUCTIONS - BRACELESS OVAL POOLS**  
**ASSEMBLING THE POOL FRAME**

**E. BASIC FLOW OF SYSTEM**

**1. How the system flow should look like**

- a. When assembled your pool should have a basic flow system as in this image, **PLEASE CONTACT YOUR DEALER** for more specific instructions.





Section  
5

## POOL MAINTENANCE MAINTAINING YOUR POOL

### POOL MAINTENANCE

Keep your pool wall and frame clean. Always wash away any deposits of pool chemicals which land on the frame of your pool. Wash periodically with a mild soap solution (no abrasives). At least once a year use a clear non-yellowing household wax on all metal components.

Your pool and liner must be inspected regularly for leaks, corrosion, scratches, and punctures. If any problem is found **IMMEDIATE CORRECTIVE ACTION MUST BE TAKEN**. Small repairs and punctures in your liner may be easily repaired using repair kits available at your local dealer. Scratches on your pool wall & frame must be touched up with anti-rust enamel. Wire brush all rust and add a coat of enamel primer followed by a coat of color matching paint. Pool water is full of various caustic chemicals, which will corrode metal parts. If any corrosion is allowed to continue, failure of the pool structure may occur which could result in excessive property damage as well as bodily harm.

The skimmer & return area and below it are particular areas that must be carefully and regularly inspected. If this area is wet, and remains wet for any length of time, it usually means there is a small leak. Skimmer/skimmer return gaskets must be replaced when they become defective. Water must not be permitted to continually run down the wall, if neglected pool will break. If proper skimmer/skimmer return gasket care is not maintained, your warranty will be void!



**Important Note:**

Be sure to follow all local and state safety regulations when installing any accessory to your pool. Any decks, and all entries, must be carefully monitored for safety and access to pool. Installing any other manufacturer's deck or slide is strictly forbidden!

Section  
5

## POOL MAINTENANCE WINTERIZING YOUR POOL

### WINTERIZING YOUR POOL

Along with the cool nights of autumn comes the end of the swimming season. During the winter your pool is subject to more stress than in the summer, and any breakage that is caused by incorrect winter procedures is not subject to any warranty with this company.

All of our pools are designed to be left up all winter, but nonetheless are subject to the warranty that was purchased. Continue to chlorinate and filter until the pool is closed down. If you follow our recommendations, you will be able to winterize your pool properly in a few hours.

Properly winterizing your pool will protect it from damage and make it easier for you to reopen it when spring arrives.

The key to fast and easy winterization lies in regular treatment of the water until the start of the cold season, even if you haven't been using the pool.

Routine maintenance becomes easier and less frequent as the water gets cooler. In order to keep the water clean and clear and to prevent the liner from staining, we recommend closing your pool as late as possible, i.e. toward the end of September when the water temperature is about 10°C (50°F).

Waiting until you have finished closing the pool before shutting off the filtration system will prevent hoses still connected from freezing.

Follow the instructions on the following pages or contact your retailer for further information to ensure that you are protecting your pool properly.



## Section 5

# POOL MAINTENANCE WINTERIZING YOUR POOL

## CLOSING YOUR ABOVE GROUND POOL FOR THE WINTER

At the end of the season, you must follow these directions to make your pool ready for the winter. For areas where water freezes make sure to follow these instructions before the water is frozen, otherwise do not touch the frozen water, this may damage the pool.

### STEP 1) PRIOR TO CLOSING

- a. Several days prior to closing your pool, test the water for the ph level, total alkalinity, and chloring. The water balance is important to protect the pool from corrosion or scale build-up during winter shut down.

### STEP 2) PERFORM A COMPLETE INSPECTION

#### FINDING LEAKS

- a. Towards the end of the summer season or around mid-August, check for leaks by verifying if the pool's water level is stable. Draw a line on the liner marking the water level and wait 10 days. If after 10 days the level has dropped, then there is a leak. It is important to seal off any leaks you find. Leaks left unsealed when freezing begins can seriously damage your pool and even cause it to collapse.
- b. Vacuum carefully to remove all leaves and debris.

#### CHECK THE LINER

- a. Make sure the top of the liner is still attached to the pool wall. make sure there are no leaks. Repair any liner holes with a vinyl patch: any small punctures in the liner can be easily repaired with underwater repair kits available at your local retailer. Do not remove the liner from the pool, as removal of the liner will void the existing warranty.

#### CHECK ALL JOINTS AND SCREWS

- a. Make sure all the fram joints are fitting together properly and make sure the pool wall has not shifted from the bottom rail. Ensure all screws and bolts are tight.

#### CHECK FOR RUST

- a. Periodically inspect the metal parts ofr any corrosion-especially around the skimmer area. If corrosion is found, immediate corrective action must be taken. Wire brush any rust and add a coat of enamel primer followed by a coat of color matching anti-rust enamel paint. Pool structure failure could result in major property damage and bodily harm. Paint any scratches with anti-rust paint.

## Section 5

# POOL MAINTENANCE WINTERIZING YOUR POOL

## CLOSING YOUR ABOVE GROUND POOL FOR THE WINTER CONTINUED

### STEP 3) ADD CLOSING CHEMICALS

- a. To maintain water quality, use a winter kit which contains an algicide and chlorine especially designed for this purpose. When it's time for spring cleaning, this will save you hours of work and reduce the cost of chemicals needed to restore your water quality.
- b. If your pool has a bottom drain, you will have to use pool antifreeze to prevent it from freezing during the winter. Unscrew the hose from the base of the skimmer and attach an extension. Pass the extension over the wall of the pool, making sure it remains well attached. Pour antifreeze into the extension and thread a winterizing plug through the hose (tie a knot at the end of the tube that is to be inserted into the hose). Leave the valve open so that water can drain from the skimmer.

### STEP 4) LOWER THE WATER LEVEL

- a. Lower the water level so as to leave between 6 to 20 inches (15cm to 50cm) below the water return. You may plug the return jet hole at this time. **\*\*IMPORTANT\*\*DO NOT PLUG THE SKIMMER DRAIN HOLE** (located at the base of the skimmer). Remove all hoses attached to the skimmer and return fittings. Do not let water freeze in the skimmer. Leave the skimmer attached to the pool wall and ensure that the skimmer lid is installed. **DO NOT DRAIN ALL THE WATER OUT OF THE POOL.**
- b. Depending on your area and if the freezing point is more aggressive, for example 50% is frozen into ice, we strongly suggest to lowering the water to lowest point. Depending on how great the deep freeze in your area **we suggest you consult with your local dealer about procedures on lowering the water level throughout the winter.** We also suggest throughout the autumn season to continually check this level before freezing season starts, as it must not reach the skimmer holes at any time during the winter. Remove any snow which may accumulate on the top ledge.

### STEP 5) FILTER PREPARATION

- a. Disconnect the hoses from the filter. Remove and store the filter, ladder and all other removable parts from around the pool. The filter should be clear of any foreign objects and water should be removed from the filter and pump. See the manufacturer's instructions. Store the pump in a temperature controlled environment (so that it is not damaged by changes in temperature).

### STEP 6) WINTER COVER

- a. For the winter cover we suggest to lower the water level to 1 inch (2.5cm) below the water return. In some areas your dealer may ask you to install it differently in order to protect the pool and the cover. Contact your local dealer to verify the correct procedure for your pool.
- b. If using a winter cover, make sure to place a ball underneath so that rainwater falls into the pool. An accumulation of too much water on the cover could place pressure on the pool, causing damage and invalidating the guarantee. Depending on how great the deep freeze in your area we suggest you consult with your local dealer about procedures on leaving the pool cover throughout the winter.

Section  
5

## POOL MAINTENANCE WINTERIZING YOUR POOL

### CLOSING YOUR ABOVE GROUND POOL FOR THE WINTER CONTINUED



#### IMPORTANT

Never let more than 30 cm (1') of snow accumulate on the pool wall; the wall is designed to support the lateral pressure of the pool water, not vertical pressure. With spring thaw, if water leaks from the skimmer or return outlet opening, place a tube at the opening so that the water will run off as far away from the basin of the pool as possible. PLEASE NOTE: Do not strike or hit a frozen pool. This would damage it. Do not disturb the pool till spring. If you have left the winter cover on the pool, make sure to remove accumulated snow after heavy snow falls.



#### Important Note:

Whatever the type of valve or extension hose used, you must follow the technique described in this document to close your pool, otherwise your guarantee may be cancelled. Make sure to use antifreeze designed for pools.



#### Important Note:

An unsealed leak may comprise or cancel the guarantee on your pool.  
Never leave water in any of the filtration system components due to the risk of damage during freezing.

## Section 5


# POOL MAINTENANCE SPRINGTIME CLEANING OF YOUR POOL

### PREPARING YOUR POOL IN THE SPRING

At the end of winter, allow the ice in the pool to thaw completely. When the temperature reaches approximately 10 °C (50 °F), you have to restart your filtration system, since algae and bacterial form more quickly as it gets warmer. Here is how to prepare your pool in a few simple easy steps.

- a. If your pool is equipped with a pool cover, remove the cover and cushion. Carefully remove with a hose any rainwater that has accumulated on the cover so it does not fall into your pool. Clean your cover and cushion and let them dry. Store them in a dry clean place.
- b. Attach the return inlet and skimmer to the filter. Bring the water level up to the middle of the skimmer. Get your filter working. Clean the bottom of the pool with the vacuum, taking care to place the filter in the “waste/drain” position. In this way you will eliminate particles of dirt without disturbing the sand in the filter, and will considerably reduce the need for “backwash rinsing” of the filter.
- c. Now that you have purified the water, you have to test it. It is very important that the pH level of your pool be between 7.6 and 7.8 and the pool’s alkaline content be between 80 ppm and 130 ppm. If you are unable to attain these levels, please contact your retailer who will gladly do these tests for you.



 **Important Note:**  
Do not drain your pool to clean the water unless absolutely necessary (the water is recyclable). If you do empty your pool, don't leave it empty for too long or expose it to direct sunlight, as the liner may shrink.

Section  
5

## POOL MAINTENANCE SPRINGTIME CLEANING OF YOUR POOL

### PREPARING YOUR POOL IN THE SPRING CONTINUED

- d. When the pH and alkaline levels are ideal, apply a shock-treatment or chlorinate your water. Let it filter for 24 hours and again verify both the pH and free chlorine levels.  
NOTE: Add chemical products to your pool after sunset, as sunlight rapidly destroys chlorine.
  
- e. Let it filter for several days until the water is clear and the pH and free chlorine levels have stabilized. Add a conditioner/stabilizer by carefully following the manufacturer's instructions. This will stop the chlorine from evaporating quickly in sunlight. Add the quantity of algicide required to prevent algae.
  
- f. You may now begin regular maintenance of your pool. Don't forget to obtain a new set of solutions for your water analysis kit every spring. The old solutions may give false results.
  
- g. Make sure that the skimmer (screws and adapter) is properly in place and tighten the water return fittings to prevent leakage and premature rusting of the pool wall or the lower part of the bottom rail.

HAVE FUN!

**IF YOU FOLLOW THESE TIPS AND ASK YOUR DEALER FOR ANY OTHER ADVICE YOU MAY NEED, YOU WILL HAVE ALL THE INFORMATION NECESSARY TO GET YOUR POOL OPERATING AGAIN.**

