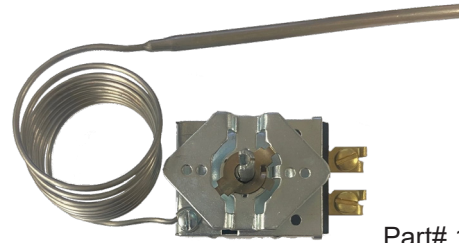


These instructions were created to give you a step-by-step guide in how to replace a hydraulic thermostat on your oven. **⚠** If the enclosed replacement thermostat is different from the original thermostat that was supplied with the oven please contact Quincy Lab for assistance.

Tools needed for this installation (Tools not included)

- ▶ No. 2 Phillips screwdriver
- ▶ 5/64 Allen key or driver
- ▶ Flat (blade) screwdriver
- ▶ Marker or phone camera
- ▶ Pliers
- ▶ Electrical tape

⚠ All the hardware removed from the old thermostat will be required for the installation of the new thermostat.



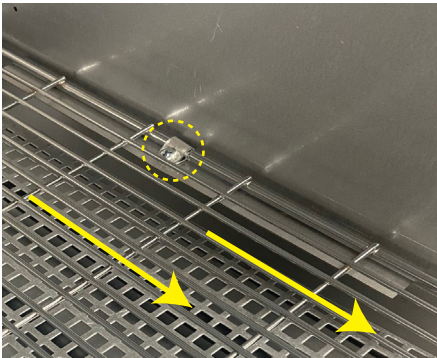
Part# 101-2223

Follow the steps outlined below in sequential order for ease of installation:

- ⚠** Disconnect the oven from the electrical outlet before servicing, failure do to so may result in the possibility of injury.
- ⚠** Remove all items from inside the oven before servicing.
- ⚠ Heavy Object** - Use two (2) persons when lifting or moving the oven.

Step 1 - Remove Bottom Fixed Shelf

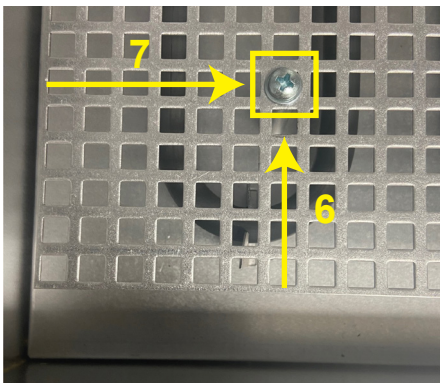
Unfasten the two (2) sheet metal screws from the fixed shelf clips and remove the shelf from the unit. Set screws aside for reinstallation.



Step 2 - Remove heat-shield from the oven

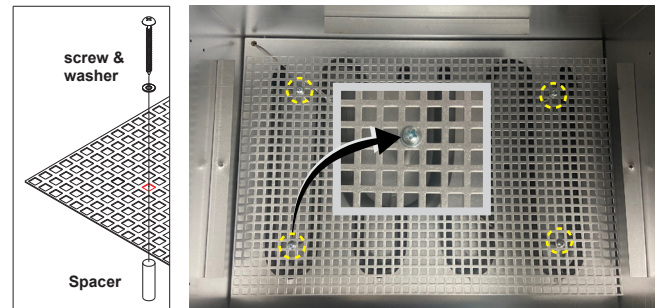
Using a marker, note and mark the location of each of the screws on the perforated heat shield. You can also snap a photo of the screw's placement in relation to the heat shield.

Example: The front left corner on the 40GC below has 7 spaces from the left and 6 from the bottom. Use this same spacing when reinstalling the heat shield.



Step 2 (Continued)

Unfasten all four screws, and remove washers and metal spacers from the unit as indicated below. Set hardware aside for reinstallation.



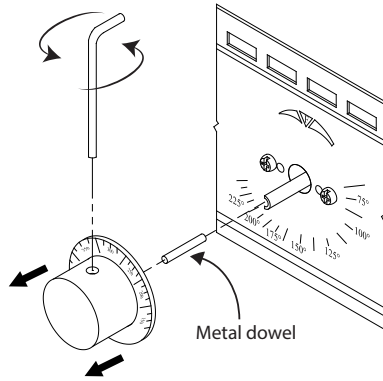
Step 3 - Remove Capillary Bulb

Using a small flat blade screwdriver, release the temperature-sensing capillary and bulb by prying open the two retaining clips. Next, insert as much of the thermostat capillary thru the pass-through hole and stand the bulb upright for removal.



Step 4 - Remove the dial and metal dowel

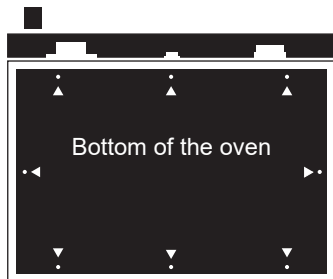
Using a 5/64" allen key, loosen the knob screw and remove the knob from the oven. Next, remove the metal dowel from the thermostat's shaft. Set hardware aside for reinstallation.



⚠ For models 10GC-AF you will need to unfasten two (2) screws on the knob before removing from the oven.

Step 5 - Access Electrical Chamber

Lay the oven onto its back. Next, locate and unfasten the sheet metal screws and remove the bottom cover to access the electrical chamber of the oven.



▲ Represents screws to remove from the bottom cover.
(6) 10 & 20 Series
(8) 30 & 40 Series

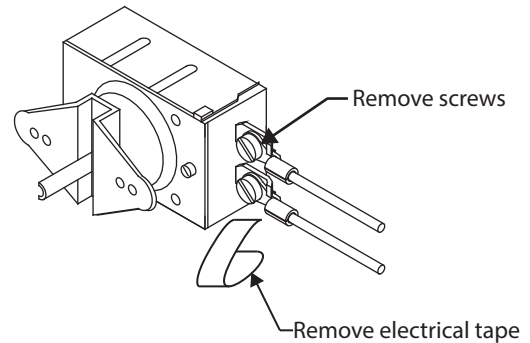
Step 6 - Remove the Thermostat from Unit

Unfasten the two (2) thermostat screws from the front of the oven and gently push back on the thermostat shaft to remove from the unit. Set the screws aside for reinstallation.



Step 7 - Remove wires from the thermostat

Remove the electrical tape from the two (2) wire terminals on the thermostat. Next, remove the screws that attach the wires to the thermostat. Set the screws aside for reinstallation.



Installation of the new thermostat

Install the new thermostat by reversing the steps in these instructions. Refer to the steps below for additional information on installation.

STEP 7 - Reconnect the two (2) wire lead to the new thermostat. Place a small piece of electrical tape around each of the wire terminals.

STEP 6 - Carefully uncoil portion of the capillary and feed it thru the pass-through hole into the oven's chamber. **Leave coiled any excess capillary at the side adjacent to the thermostat.** Next, secure the thermostat to the front of the oven with two (2) slotted screws removed in step 6.

STEP 5 - Place the bottom cover back and set the oven in the upright position.

STEP 4 - Rotate the new thermostat shaft counter-clockwise until it stops. Next, place the metal dowel into the shaft of the new thermostat and insert the knob. The knob should be placed and align with the OFF mark on the dial under the ▼ on the panel. **Refer to the calibration instructions additional information on knob installation before securing the knob.**

STEP 3 - Secure the new bulb in the two retaining clips by pressing them closed with a pair of pliers.

STEP 2- Place the heatshield back into the oven. Start by placing the four (4) tubular spacers over the holes in the base. Carefully place the heatshield over the spacers at the marked/noted location and insert the screw and washer for each corner and tighten.

STEP 1 - Place and secure the fixed shelf back into the unit

Technical Support

If you need further assistance please email or call our technical support line:

Email: information@quincylab.com

Voice: 800-482-4328 press 2 for tech support

LAB OVEN SERIES

Calibration of the Dial after Thermostat Replacement

A calibration to the knob can be performed after **the thermostat has been replaced** on models 20,30,and 40 GC/AF.

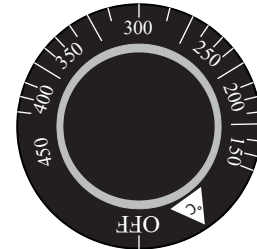
⚠ Do not modify the oven to operate above the stated maximum operating temperature when adjusting the oven's temperature range.

⚠ After a thermostat replacement, calibrate the dial at the most frequently used temperature using the oven's thermometer or measuring device known to be accurate.

Understanding the Knob

The numbers printed on the dial are a representation of a temperature in degrees °F (Fahrenheit) and degrees °C (Celsius) on the back panel. (FIG. A)

⚠ The numbers printed on the unit's dial are only to be used as a reference and do not represent an actual temperature inside the unit. Use the thermometer provided with the unit to obtain a true temperature from inside the oven.



GC & AF
Oven Dial

FIG. A

After replacing the thermostat

After replacing the thermostat on the oven it is best to place the knob back on the oven with the thermostat set to the lowest setting and the knob OFF marker aligned with the ∇ on the control panel. (FIG. B)

To more accurately adjust the knob temperature markings to the actual thermometer readings calibrate the dial to the most frequently used temperature. (see below).

Calibrating the dial

Follow the steps below to calibrate the oven's dial (printed) temperature to the temperature reading from inside the oven's chamber as measured by a known accurate device.

STEP 1

Set the dial to the most frequently used temperature and allow the oven to achieve temperature stability. (FIG. C)

STEP 2

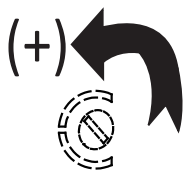
Using a 5/64" Allen Key, loosen the knob screw(s) and remove the knob from the oven. For models 20,30, and 40 remove the compression pin from the thermostat shaft as shown in (FIG. D).

STEP 3

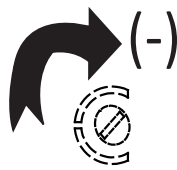
Using a small blade screwdriver, adjust the trim screw in the shaft center to adjust the oven's temperature.

Make slight 1/8th turn adjustments at a time. Allow the oven's temperature to be stable before placing the knob.

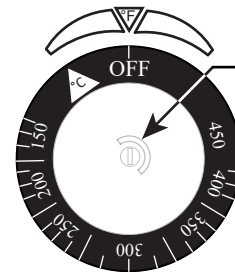
a) Turn the trim screw counter-clockwise to adjust the temperature UP.



b) Turn the trim screw clockwise to adjust the temperature DOWN.



After Thermostat Replacement



Turn the Thermostat Shaft counter-clock-wise until it stops.

Place the dial in the unit and align the [OFF] mark with the ∇ mark on the oven's panel and tighten knob screw.

⚠ Avoid placing the knob against the oven's panel surface. Leave a small gap of about 1/8" between the knob and the oven's panel when installing.

FIG. B

Allow for temperature stability before removing the knob.



Rotate dial to most used temperature



FIG. C

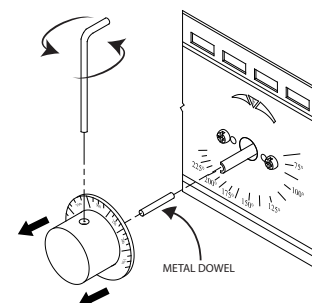


FIG. D

⚠ IMPORTANT

- Make sure the screw recessed in the shaft has moved after adjustment.
- Allow the temperature to settle before making any subsequent adjustments.