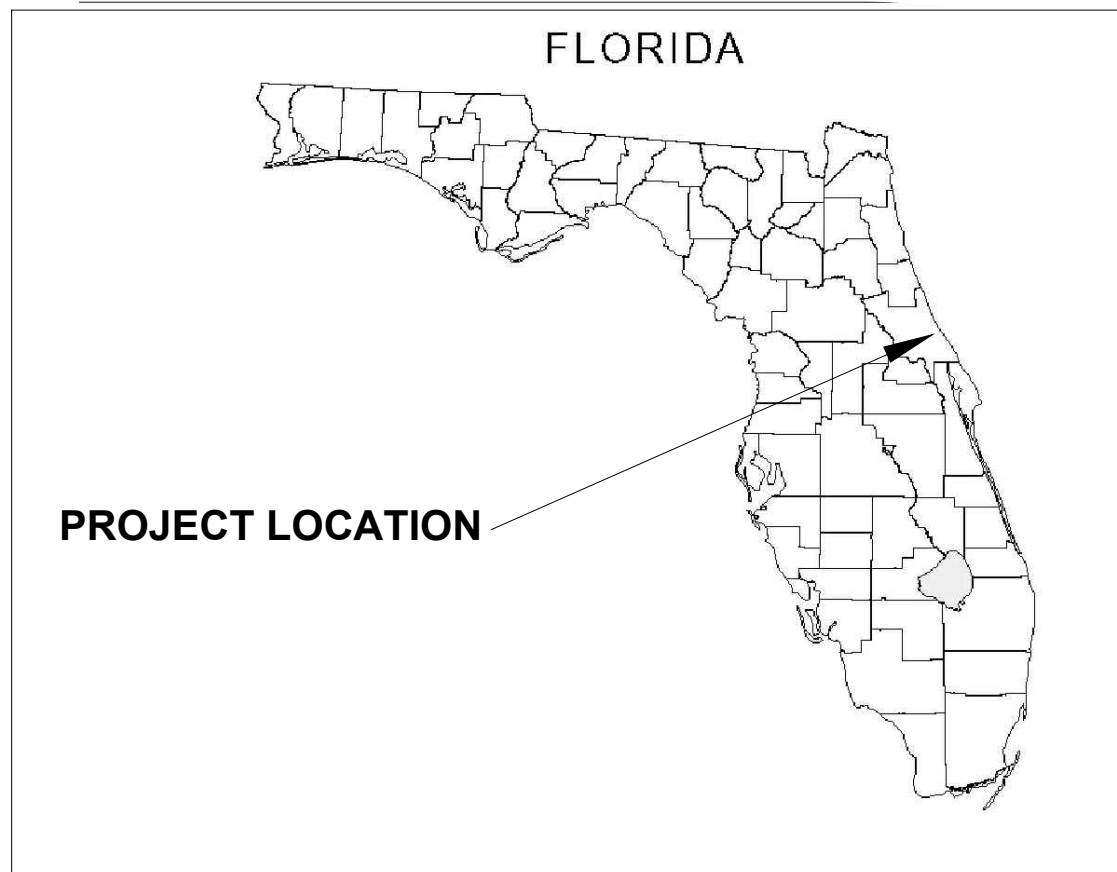


OVERLOOK RPUD PLAN SET



PROJECT LOCATION

LOCATION MAP (n.t.s.)

DRAWING INDEX

- SHEET 1 COVER
- SHEET 2 EXISTING CONDITIONS
- SHEET 3 PROPOSED CONDITIONS
- SHEET 4 SECTION
- SHEET 5 DETAILS



PROJECT
LOCATION

VICINITY AERIAL (n.t.s.)

THIS DRAWING AND ALL APPURTENANT MATTER CONTAINS INFORMATION PROPRIETARY TO THE CHAPPELL GROUP, INC. AND IS LOANED SUBJECT TO RETURN UPON DEMAND AND MUST NOT BE REPRODUCED, COPIED, LOANED, REVEALED, NOR LISTED FOR ANY PURPOSE OTHER THAN THAT FOR WHICH IT IS SPECIFICALLY FURNISHED WITHOUT EXPRESSED WRITTEN CONSENT OF THE CHAPPELL GROUP, INC.
© THE CHAPPELL GROUP, INC. 2019

THE Chappell GROUP INC.

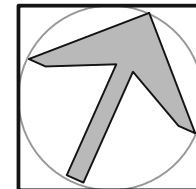
714 East McNab Road
Pompano Beach, Florida 33060
tel. 954.782.1908
fax. 954.782.1108 www.thechappellgroup.com

- Environmental Consultants
- Marina & Wetland Permitting
- Mitigation Design & Monitoring
- T&E Species Surveys
- Phase I ESAs

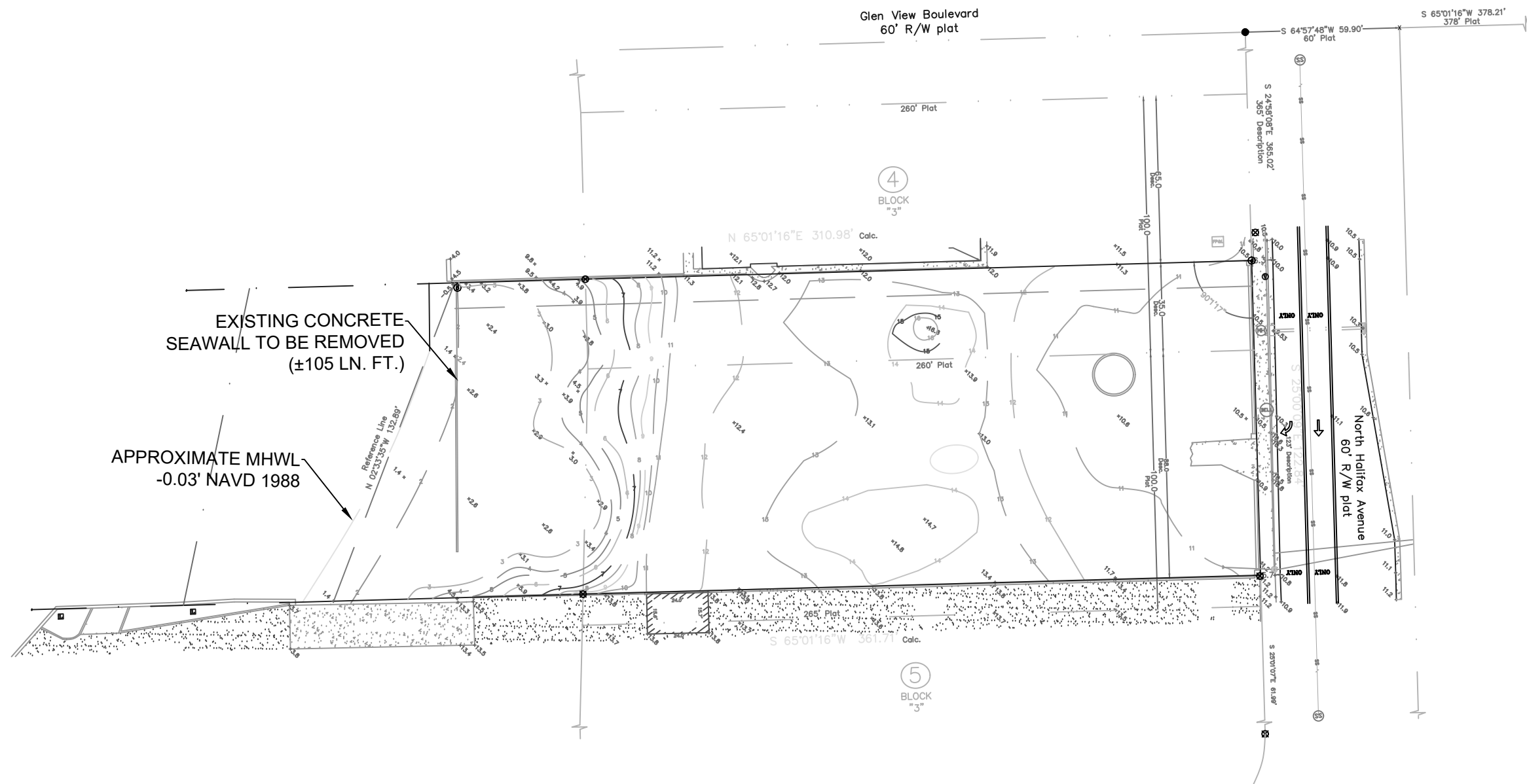
613 N. HALIFAX
PREPARED FOR:
SHAMROCK-SHAMROCK, INC.

COVER		
Date: 9/16/2019	Sheet : 1	of : 5
Proj No.: 12-0041.001		

NORTH



SCALE
1"=80'



EXISTING CONCRETE SEAWALL TO BE REMOVED (±105 LN. FT.)

APPROXIMATE MHWL -0.03' NAVD 1988

NOTES: SURVEY INFORMATION PROVIDED BY MYER LAND SURVEYING, INC. ADJACENT PROPERTY BOUNDARY, BATHYMETRY & EASEMENT INFORMATION PROVIDED BY ACCURIGHT. ELEVATIONS SHOWN AS NGVD29.

THIS DRAWING AND ALL APPURTENANT MATTER CONTAINS INFORMATION PROPRIETARY TO THE CHAPPELL GROUP, INC. AND IS LOANED SUBJECT TO RETURN UPON DEMAND AND MUST NOT BE REPRODUCED, COPIED, LOANED, REVEALED, NOR LISTED FOR ANY PURPOSE OTHER THAN THAT FOR WHICH IT IS SPECIFICALLY FURNISHED WITHOUT EXPRESSED WRITTEN CONSENT OF THE CHAPPELL GROUP, INC.
© THE CHAPPELL GROUP, INC. 2019

THE Chappell GROUP INC.
 714 East McNab Road
 Pompano Beach, Florida 33060
 tel. 954.782.1908
 fax. 954.782.1108
www.thechappellgroup.com

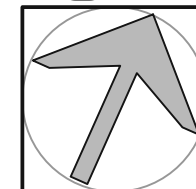
- Environmental Consultants
- Marina & Wetland Permitting
- Mitigation Design & Monitoring
- T&E Species Surveys
- Phase I ESAs

613 N. HALIFAX
PREPARED FOR:
SHAMROCK-SHAMROCK, INC.

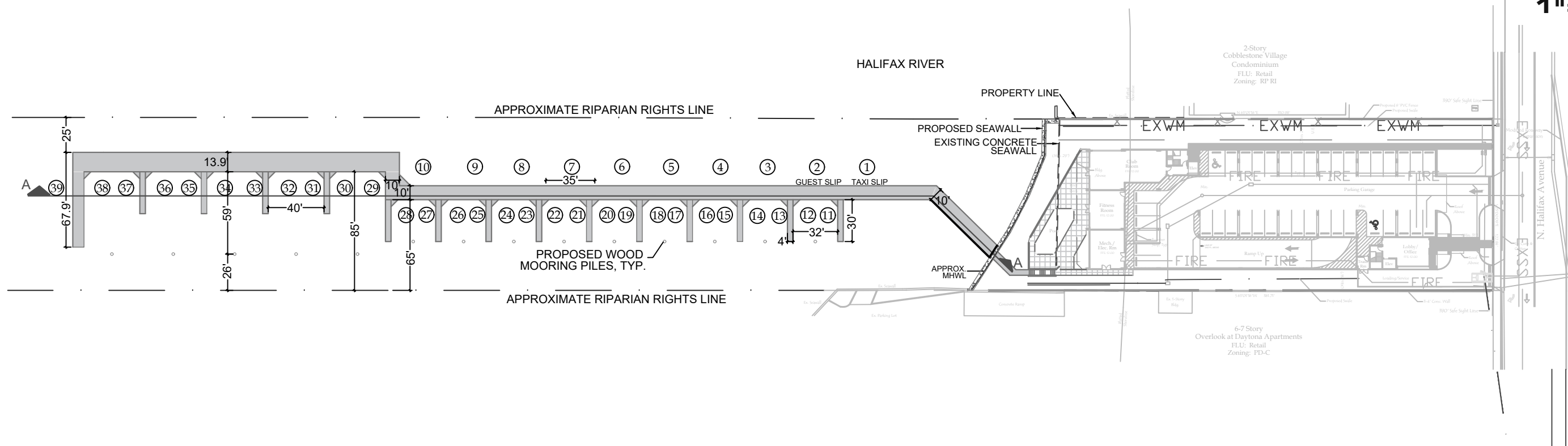
EXISTING CONDITIONS

Date: 9/16/2019	Sheet : 2	of : 5
Proj No.: 12-0041.001		

NORTH



SCALE
1"=80'



SLIP TABLE	
SLIP #	L X W
1 - 10	30' X 14'
11 - 28	40' X 16'
29 - 39	60' X 20'

LEGEND

- PROPOSED COMPOSITE DOCK (±10,375 ft² OVERWATER)**
- PROPOSED 3.0' SEAWALL, CAP & BATTERS (136 LN. FT.)**

NOTES:

1. SURVEY INFORMATION PROVIDED BY GENTILE GLAS HOLLOWAY O'MAHONEY & ASSOCIATES.
2. ADJACENT PROPERTY BOUNDARY, BATHYMETRY & EASEMENT INFORMATION PROVIDED BY ACCURIGHT.
3. ELEVATIONS SHOWN AS NGVD29.
4. SLIPS 1 - 10 ARE PARALLEL MOORING
5. THE MARINA WILL FOLLOW THE DESIGN REQUIREMENTS AS REQUIRED BY NFPA 303, FIRE PROTECTION STANDARDS FOR MARINAS AND BOATYARDS (2011) AND/OR NFPA 307, STANDARD FOR THE CONSTRUCTION AND FIRE PROTECTION OF MARINE TERMINALS, PIERS AND WHARVES (2011).

THIS DRAWING AND ALL APPURTENANT MATTER CONTAINS INFORMATION PROPRIETARY TO THE CHAPPELL GROUP, INC. AND IS LOANED SUBJECT TO RETURN UPON DEMAND AND MUST NOT BE REPRODUCED, COPIED, LOANED, REVEALED, NOR LISTED FOR ANY PURPOSE OTHER THAN THAT FOR WHICH IT IS SPECIFICALLY FURNISHED WITHOUT EXPRESSED WRITTEN CONSENT OF THE CHAPPELL GROUP, INC.
© THE CHAPPELL GROUP, INC. 2019

THE Chappell GROUP INC.
714 East McNab Road
Pompano Beach, Florida 33060
tel. 954.782.1908
fax. 954.782.1108
www.thechappellgroup.com

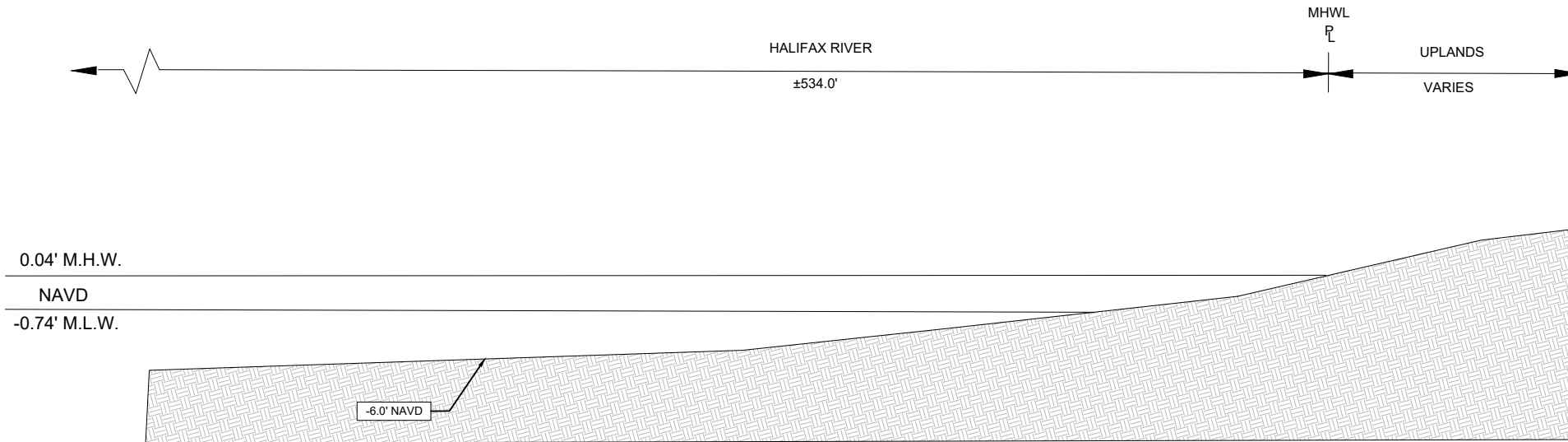
- Environmental Consultants
- Marina & Wetland Permitting
- Mitigation Design & Monitoring
- T&E Species Surveys
- Phase I ESAs

613 N. HALIFAX
PREPARED FOR:
SHAMROCK-SHAMROCK, INC.

PROPOSED CONDITIONS		
Date: 9/16/2019	Sheet : 3	of : 5
Proj No.: 12-0041.001		

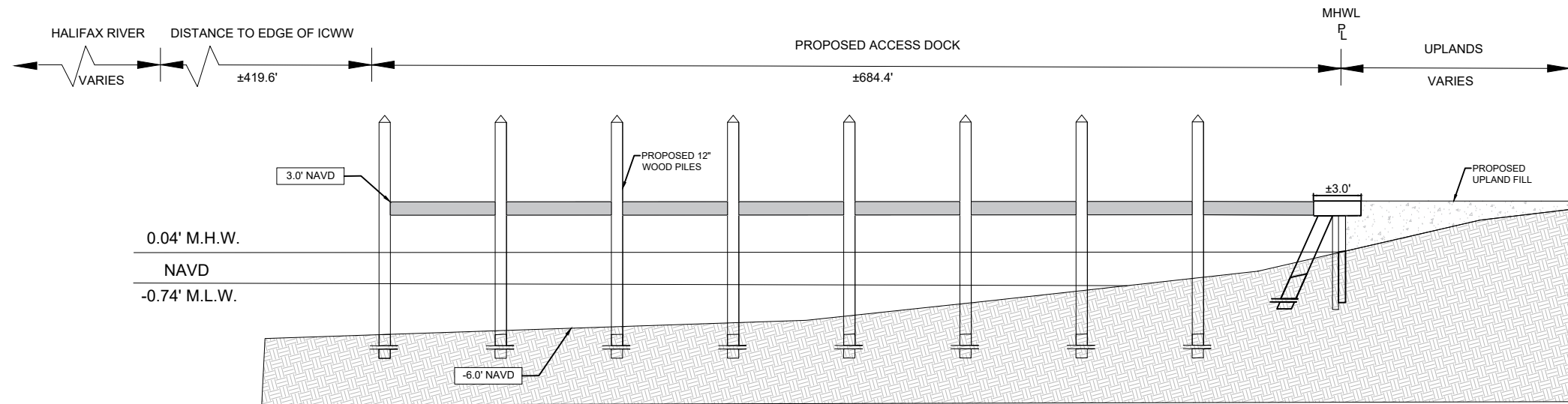
EXISTING CONDITIONS SECTION A-A (TYP.)

N.T.S.



PROPOSED CONDITIONS SECTION A-A (TYP.)

N.T.S.



THIS DRAWING AND ALL APPURTENANT MATTER CONTAINS INFORMATION PROPRIETARY TO THE CHAPPELL GROUP, INC. AND IS LOANED SUBJECT TO RETURN UPON DEMAND AND MUST NOT BE REPRODUCED, COPIED, LOANED, REVEALED, NOR LISTED FOR ANY PURPOSE OTHER THAN THAT FOR WHICH IT IS SPECIFICALLY FURNISHED WITHOUT EXPRESSED WRITTEN CONSENT OF THE CHAPPELL GROUP, INC.
© THE CHAPPELL GROUP, INC. 2019

THE Chappell GROUP INC.
714 East McNab Road
Pompano Beach, Florida 33060
tel. 954.782.1908
fax. 954.782.1108
www.thechappellgroup.com

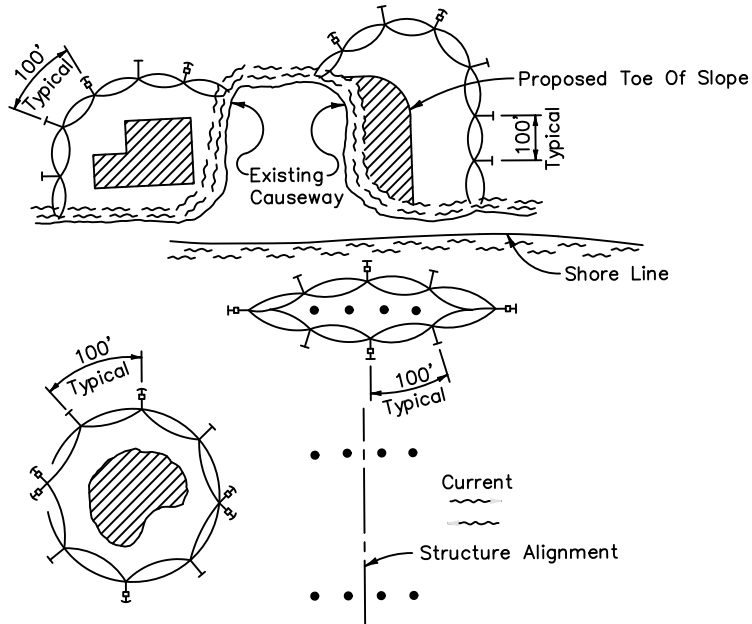
- Environmental Consultants
- Marina & Wetland Permitting
- Mitigation Design & Monitoring
- T&E Species Surveys
- Phase I ESAs

613 N. HALIFAX
PREPARED FOR:
SHAMROCK-SHAMROCK, INC.

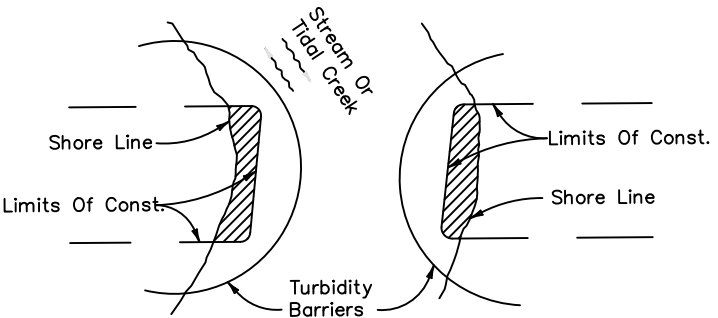
PROPOSED CONDITIONS

Date: 9/16/2019	Sheet : 4	of : 5
Proj No.: 12-0041.001		

**CONSTRUCTION BARGE
(TYP.)**



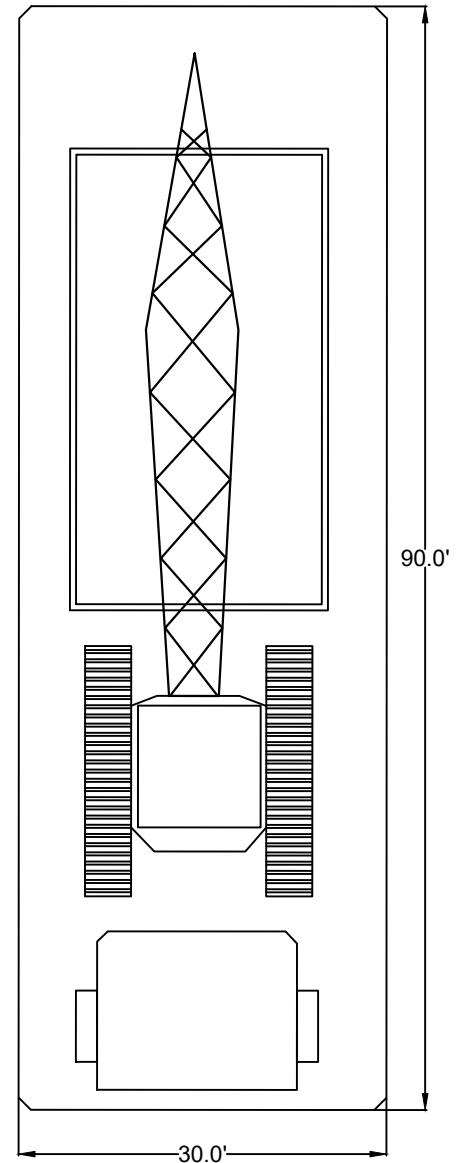
- LEGEND**
- Pile Locations
 - ▨ Dredge Or Fill Area
 - Mooring Buoy w/Anchor
 - Anchor
 - Barrier Movement Due To Current Action



Note:
Turbidity barriers for flowing streams and tidal creeks may be either floating, or staked types or any combinations of types that will suit site conditions and meet erosion control and water quality requirements. The barrier type(s) will be at the Contractors option unless otherwise specified in the plans, however payment will be under the pay item(s) established in the plans for Floating Turbidity Barrier and/or Staked Turbidity Barrier. Posts in staked turbidity barriers to be installed in vertical position unless otherwise directed by the Engineer.

- NOTES:**
1. Turbidity barriers are to be used in all permanent bodies of water regardless of water depth.
 2. Number and spacing of anchors dependent on current velocities.
 3. Deployment of barrier around pile locations may vary to accommodate construction operations.
 4. Navigation may require segmenting barrier during construction operations.
 5. For additional information see Section 104 of the Standard Specifications.

TURBIDITY BARRIER APPLICATIONS



THIS DRAWING AND ALL APPURTENANT MATTER CONTAINS INFORMATION PROPRIETARY TO THE CHAPPELL GROUP, INC. AND IS LOANED SUBJECT TO RETURN UPON DEMAND AND MUST NOT BE REPRODUCED, COPIED, LOANED, REVEALED, NOR LISTED FOR ANY PURPOSE OTHER THAN THAT FOR WHICH IT IS SPECIFICALLY FURNISHED WITHOUT EXPRESSED WRITTEN CONSENT OF THE CHAPPELL GROUP, INC.
© THE CHAPPELL GROUP, INC. 2019

THE Chappell GROUP INC.
714 East McNab Road
Pompano Beach, Florida 33060
tel. 954.782.1908
fax. 954.782.1108
www.thechappellgroup.com

- Environmental Consultants
- Marina & Wetland Permitting
- Mitigation Design & Monitoring
- T&E Species Surveys
- Phase I ESAs

613 N. HALIFAX
PREPARED FOR:
SHAMROCK-SHAMROCK, INC.

PROPOSED CONDITIONS		
Date: 9/16/2019	Sheet : 5	of : 5
Proj No.: 12-0041.001		