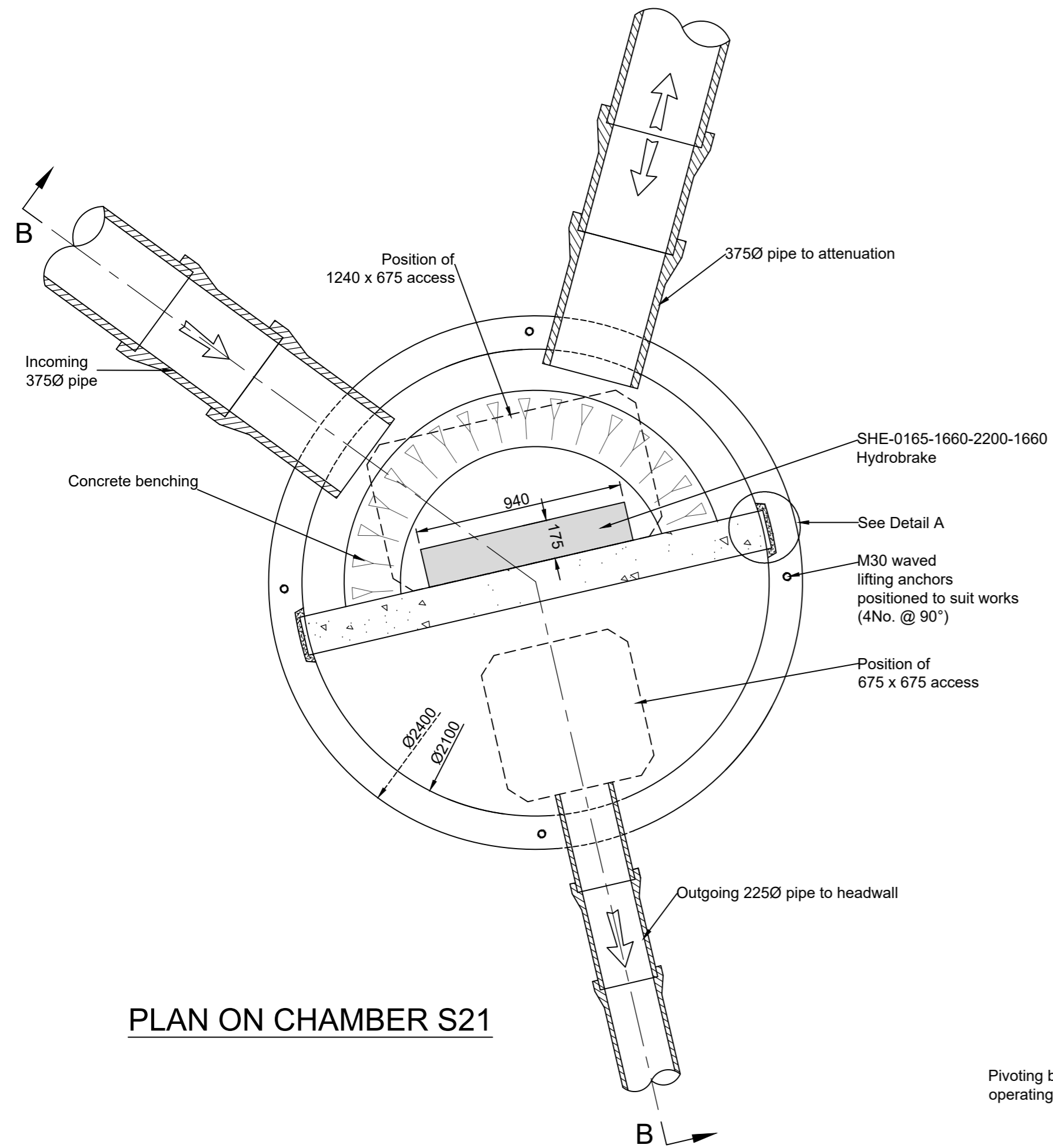
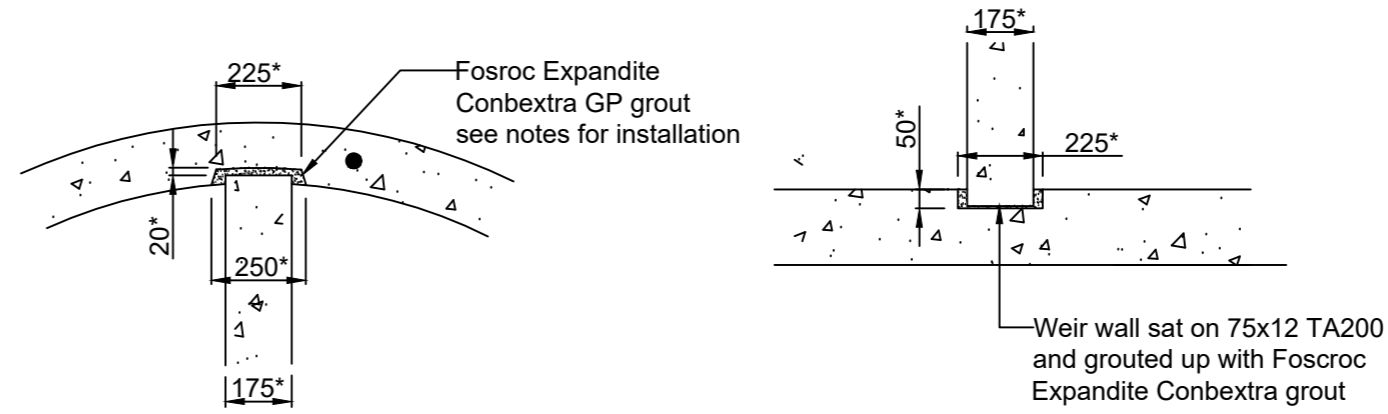


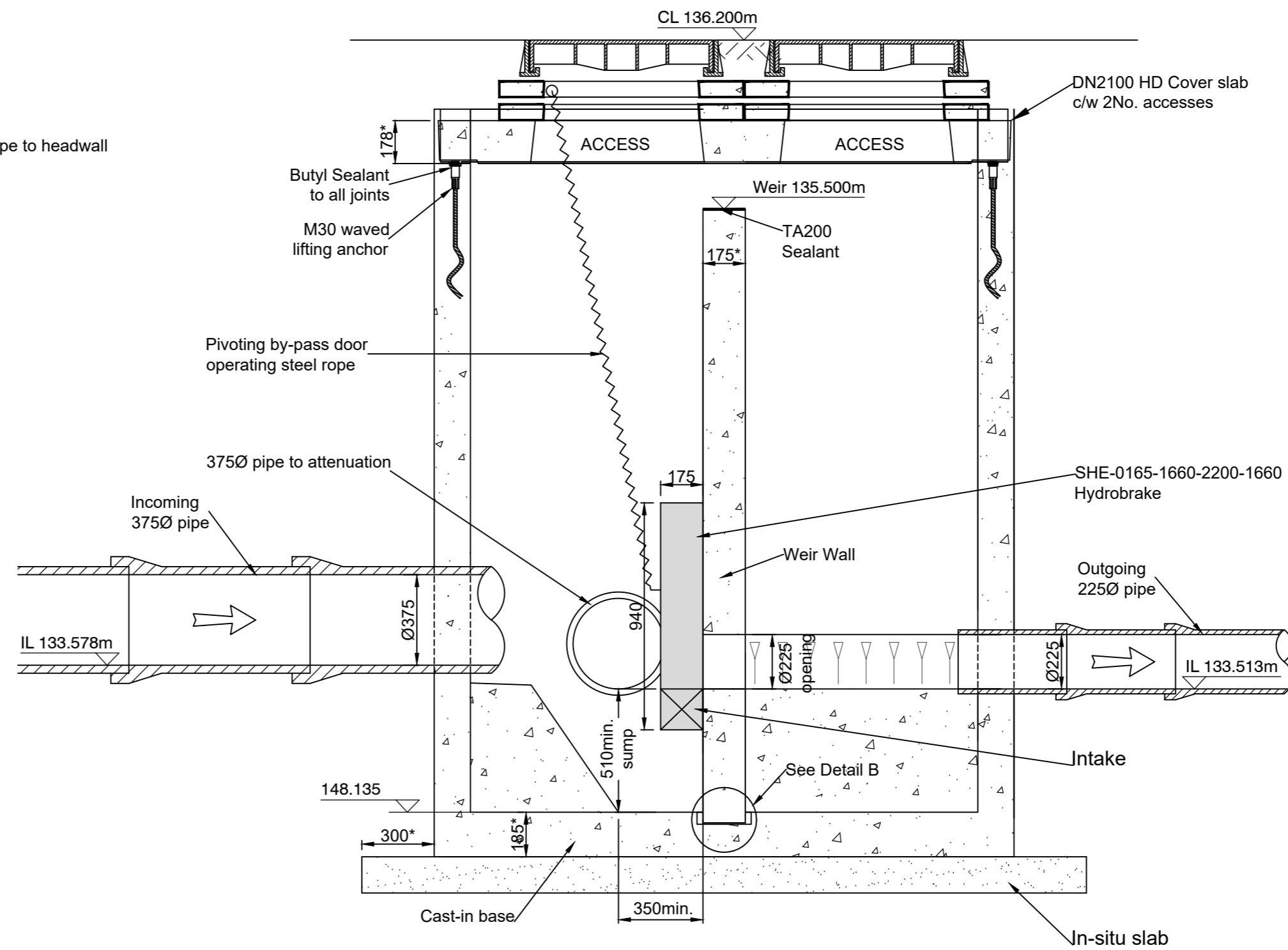
NOT FOR CONSTRUCTION
 The details provided on this drawing are for information only and are subject to detailed design.
 All details and dimensions are subject to detailed design by CPM Group.



PLAN ON CHAMBER S21



DETAIL A DETAIL B



SECTION B-B

PLANNING
 NOT FOR CONSTRUCTION

1	20.11.2018	GENERAL ARRANGEMENTS - SITE NAME ALTERED	KMG
Rev	Date	Description	By

Dimensions to be verified on site.
 This drawing should not be scaled. Use figured dimensions only.
 Any discrepancies should be referred to the Engineer prior to work being put in hand.
 This drawing is copyright.

QuadConsult Limited
 Columbus House, Village Way
 Greenmeadow Business Park
 Cardiff
 CF15 7NE
 029 2077 9644
 contactus@quadconsult.co.uk
 www.quadconsult.co.uk

Client

The key to quality

Lewis Homes

Project **Woodlands Green, Coedely**

Title **HYDROBRAKE DETAILS CHAMBER S21**

Drawing Status PLANNING				
Designed by	Drawn by	Checked by	Date	Scales @ A1 size
KMG	KMG	ACV	Sept '18	NTS
Project No		Drawing No		Revision
18152		C-112-2		1