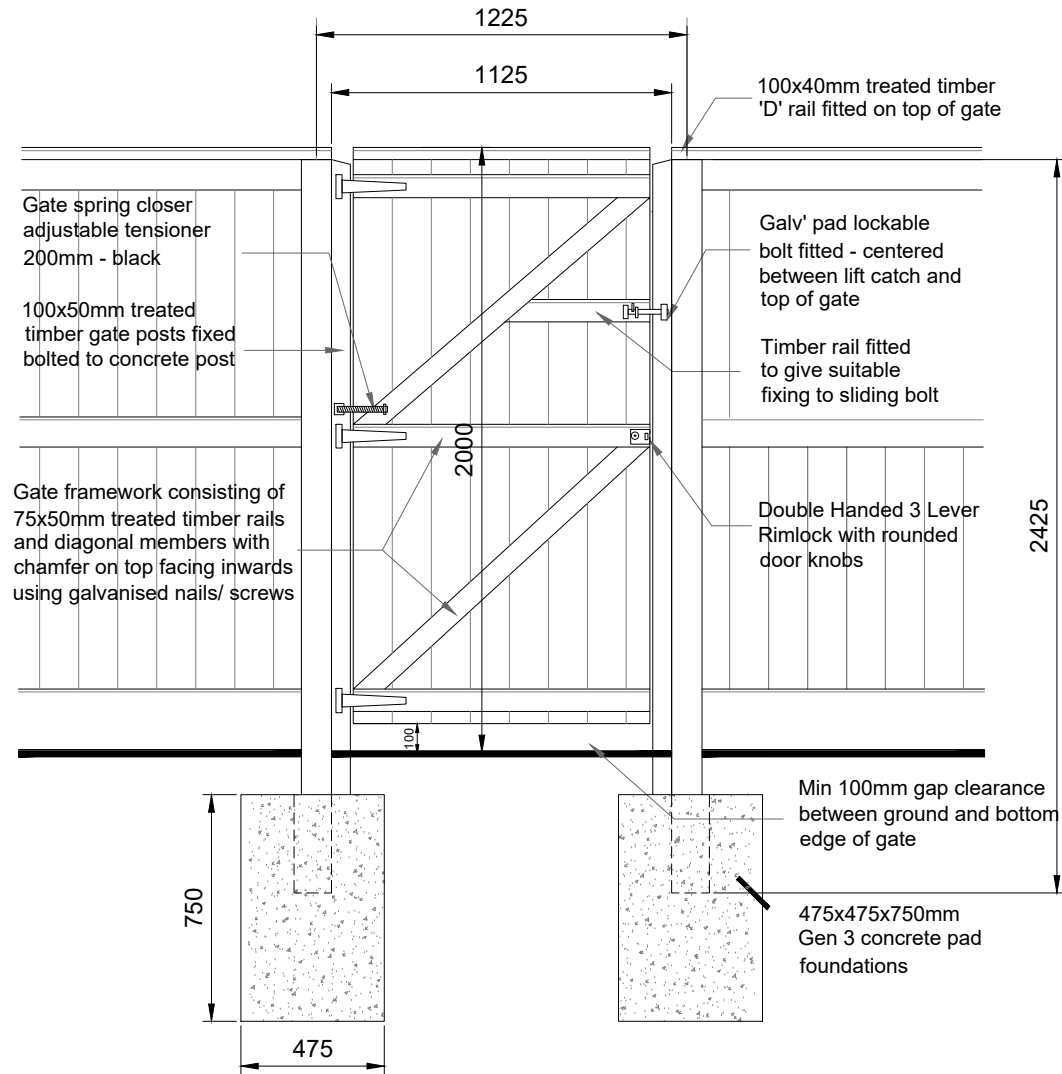


TYPICAL TIMBER GATE DETAILING & FENCING FIXING SPECIFICATION

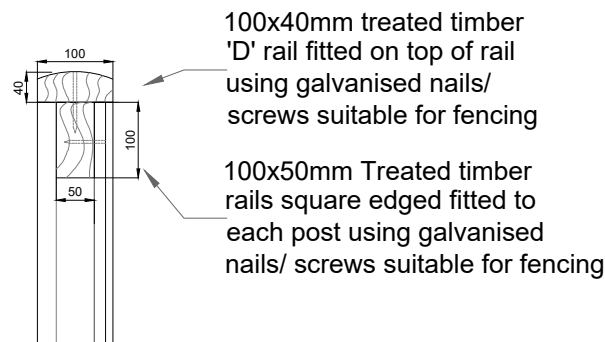
Notes:
 TIMBER GATE SPECIFICATION TO B.S 1722-5: 2006
 CONCRETE POST SPECIFICATION TO BS EN 12839: 2012

Overall Gate Height: 1855mm.
 Boards laid vertically: 150x15mm (1855mm lengths)
 25mm overlapping on each board, Tops cut square.
 Timber Rails: 75x50mm with chamfered edge to centre rail.
 'D' Rail Capping: 100x40mm fitted on top of boards, rail.
 Timber Posts: 100x50mm bolt fixed to concrete posts
 Preservative Measures: Treated timber suitable for fencing / gates
 Fixings: Galvanized ironmongery, nails, screws suitable for gates.

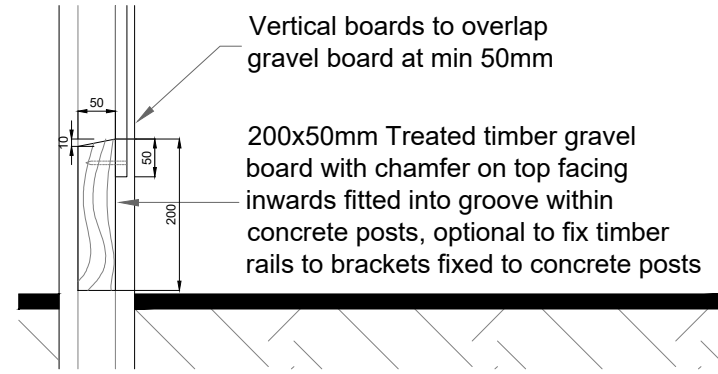


Typical Timber Gate Detail [Scale:1:25](#)

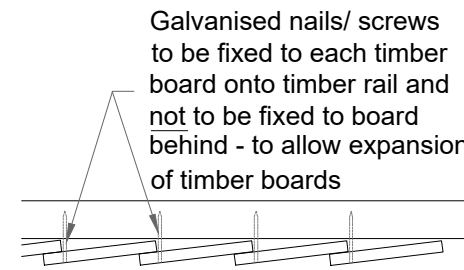
Note: Contractor to provide details of pre-cast reinforced concrete post type including fixing method



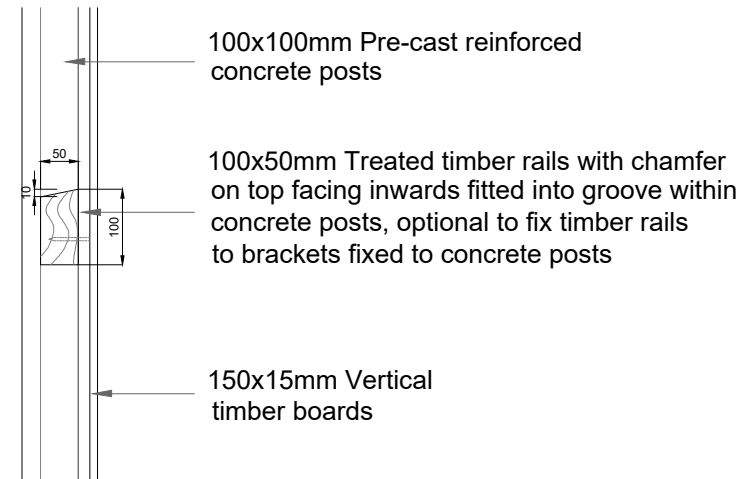
'D' Rail Detail [Scale:1:10](#)



Gravel Board Detail [Scale:1:10](#)



Shiplap Fixing Detail [Scale:1:10](#)



Rail Detail [Scale:1:10](#)

Note: Drawings to be read in conjunction with the Schedule of Employer's Requirement's as part of the NBS Specification- All fencing/ gates to comply with Secured by Design requirements

REV.	DESCRIPTION	DATE
CLIENT		
Ateb Group		
DRAWING TITLE		
External Details		
1.8m Close Board Fence with Concrete Posts		
SCALE	DATE	DRAWN BY
1:20/1:5@A3	Apr '23	HA Ltd
DRAWING NO.	REVISION	TYPE
2286-D02	.	PLN



10 Gold Tops
 Newport NP20 4PH
 t. 01633 844970
 e. info@hammond-ltd.co.uk

www.hammond-ltd.co.uk

© Hammond Architectural Limited 2023
 Figured dimensions must be taken in preference to scaled dimensions and any discrepancies are to be referred to Hammond Architectural Ltd. Contractors, subcontractors and suppliers must verify all dimensions on site before commencing any work or making any workshop drawings.