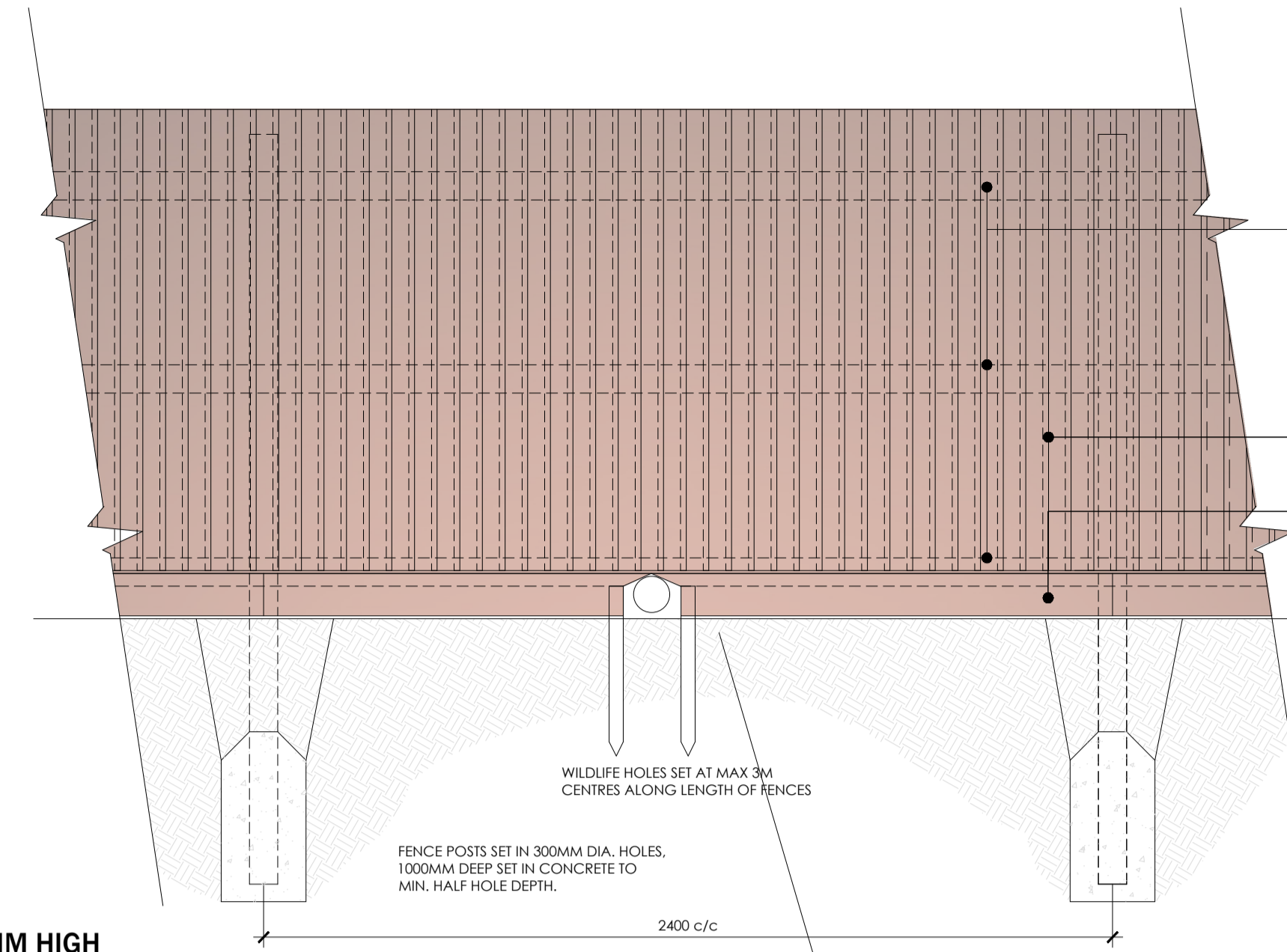


CLOSE BOARDED TIMBER FENCE _ 1800MM HIGH

PLAN KEY REFERENCE



CONCRETE POSTS, NOM 2450MM LONG, SET IN CONCRETE BASE AS INDICATED AT 2400MM CENTRES.

3 NO. 100X50MM TREATED SOFTWOOD RAILS NOTCHED INTO POSTS AND SPACED EQUALLY.

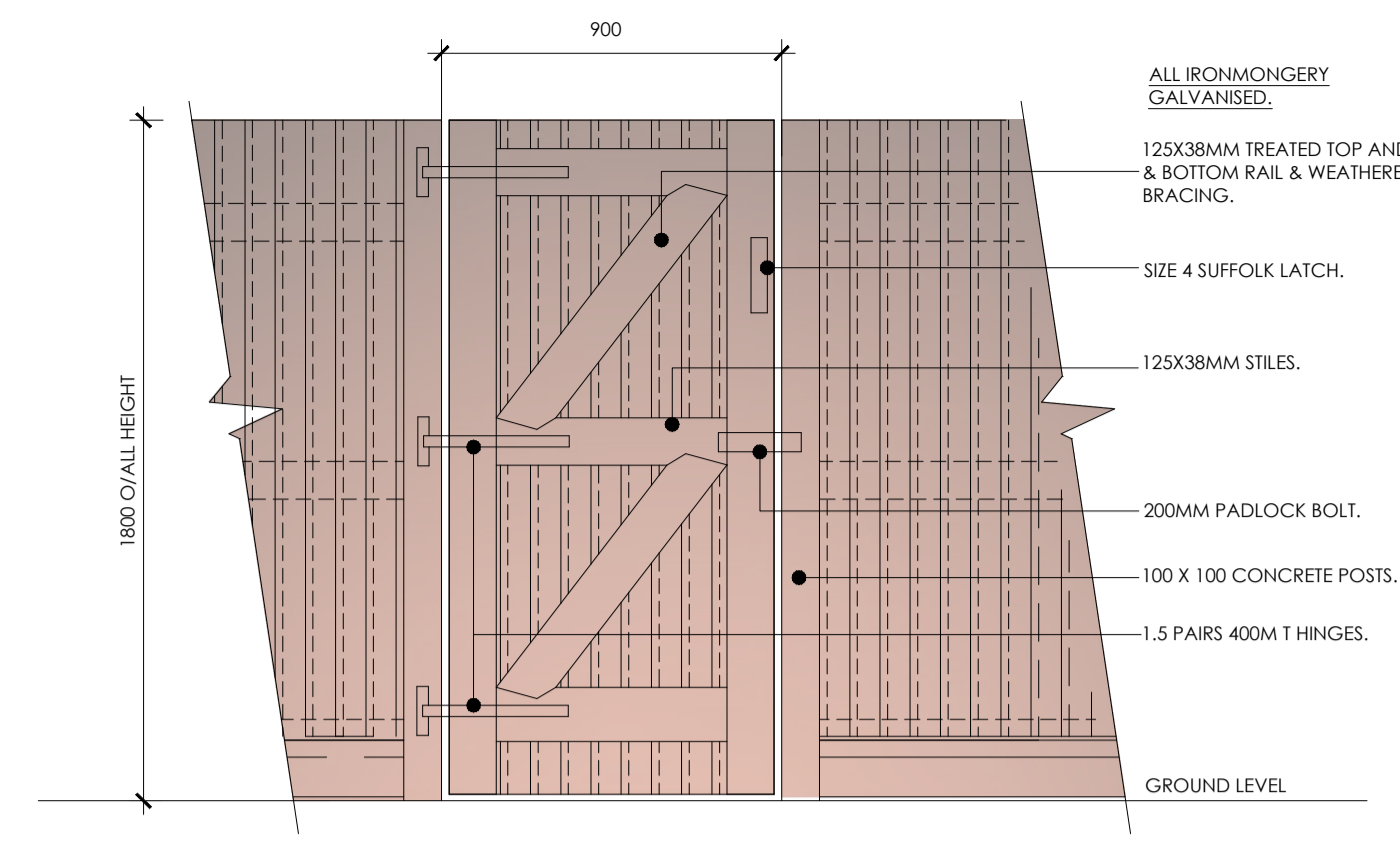
NOTE: ALL RAILS SHALL FACE PROPERTY SIDE TO SATISFY "SECURED BY DESIGN" REQUIREMENTS.

TREATED SOFTWOOD FEATHER EDGE INFILL BOARDING EX 150 WIDE TAPERED FROM 20 TO 6MM GALV. NAILED TO OVERLAP.

150X25MM TREATED SW GRAVEL BOARD FIXED TO 400X50X500MM CENTRE STUMPS.

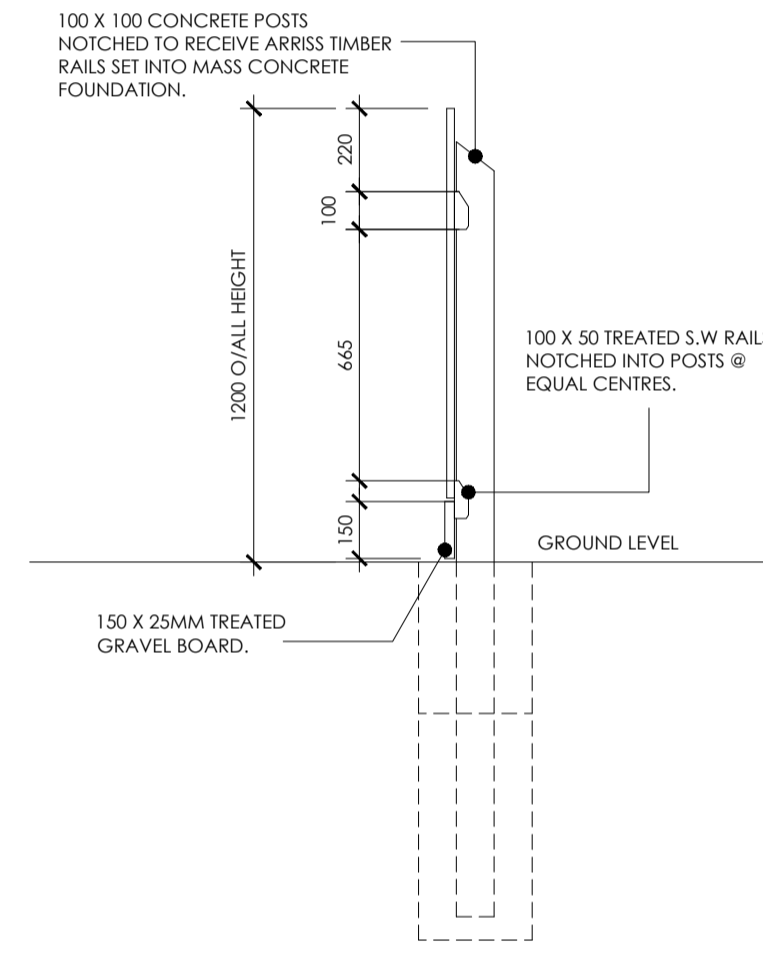
WILDLIFE HOLES SET AT MAX 3M CENTRES ALONG LENGTH OF FENCES

FENCE POSTS SET IN 300MM DIA. HOLES, 1000MM DEEP SET IN CONCRETE TO MIN. HALF HOLE DEPTH.



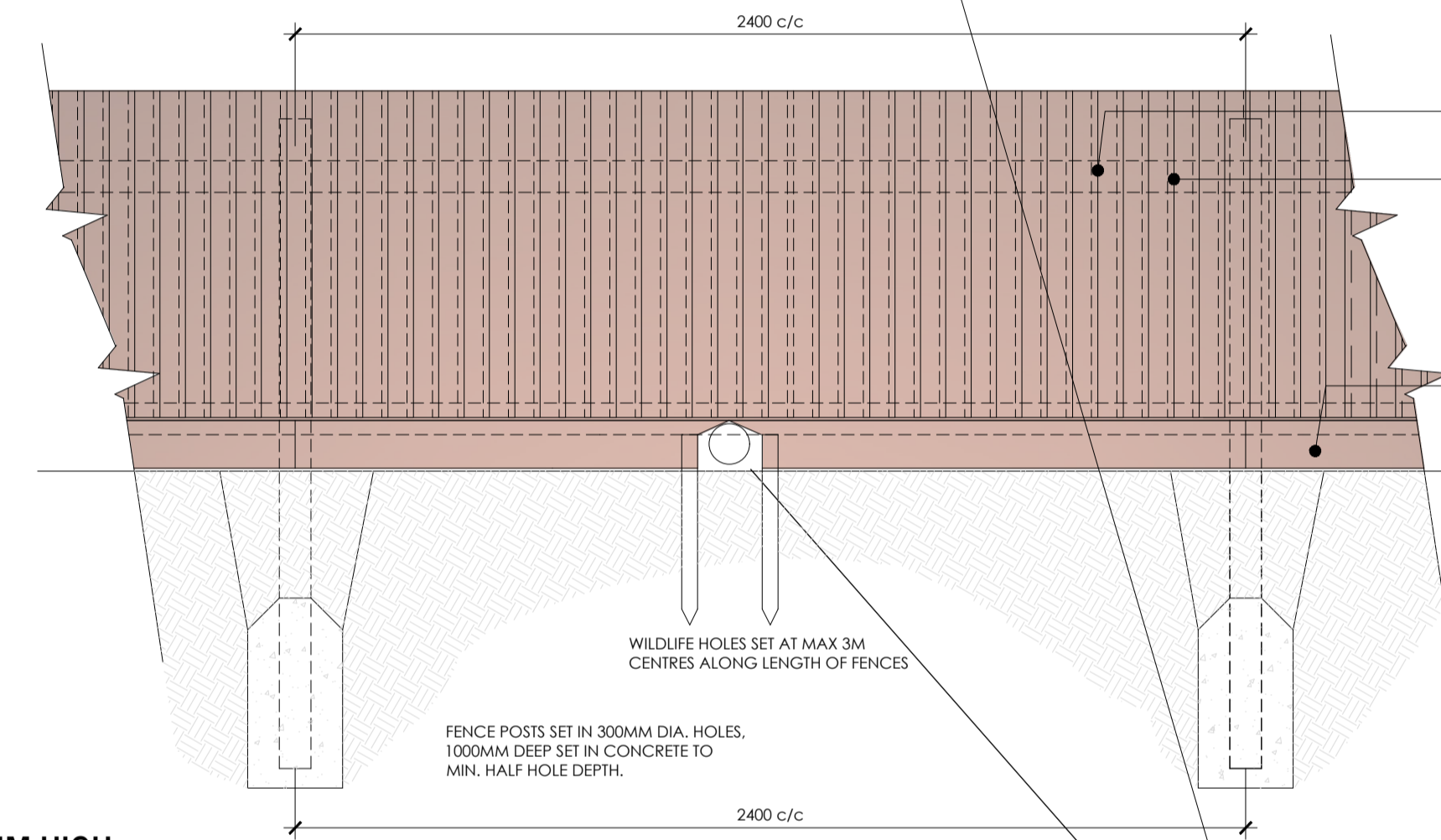
INSIDE ELEVATION SINGLE GATE IN CLOSE BOARDED TIMBER FENCE

PLAN KEY REFERENCE



CLOSE BOARDED TIMBER FENCE _ 1800MM HIGH

PLAN KEY REFERENCE



CONCRETE POSTS, NOM 2450MM LONG, SET IN CONCRETE BASE AS INDICATED AT 2400MM CENTRES.

2 NO. 100X50MM TREATED SOFTWOOD RAILS NOTCHED INTO POSTS AND SPACED EQUALLY.

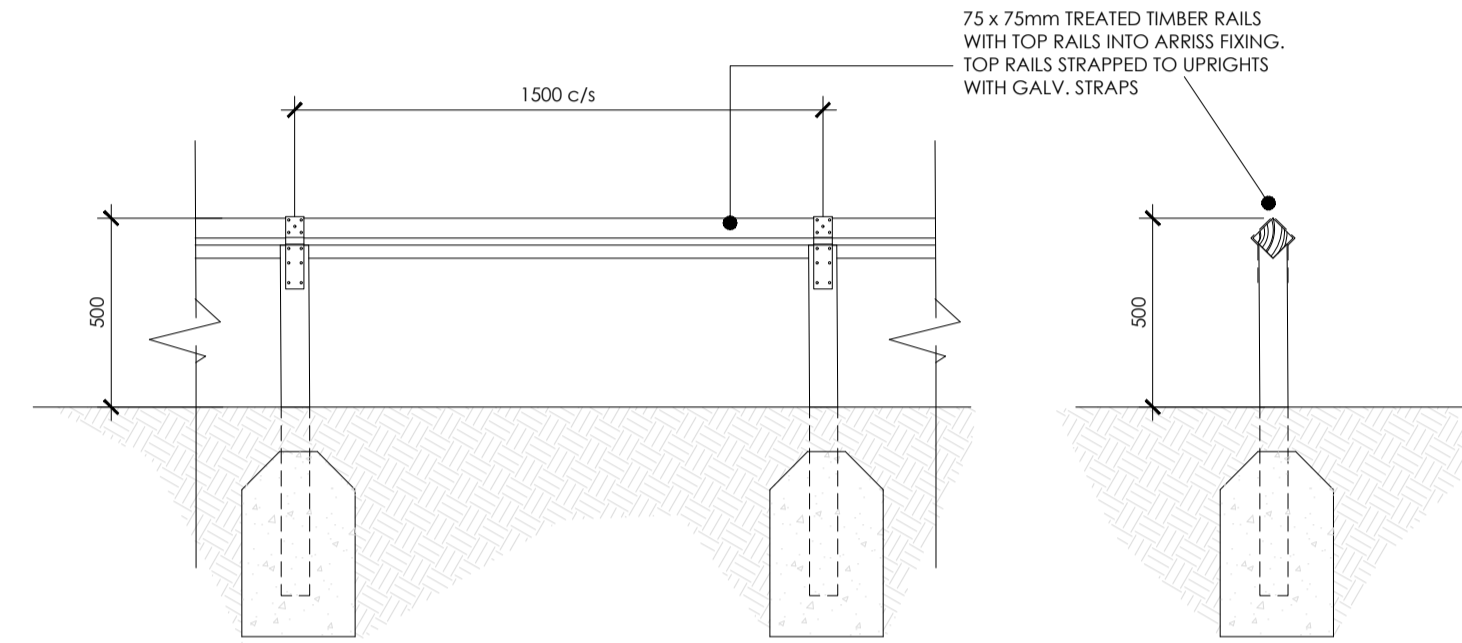
TREATED SOFTWOOD FEATHER EDGE INFILL BOARDING EX 150 WIDE TAPERED FROM 20 TO 6MM GALV. NAILED TO OVERLAP.

NOTE: ALL RAILS SHALL FACE PROPERTY SIDE TO SATISFY "SECURED BY DESIGN" REQUIREMENTS.

150X25MM TREATED SW GRAVEL BOARD FIXED TO 400X50X500MM CENTRE STUMPS.

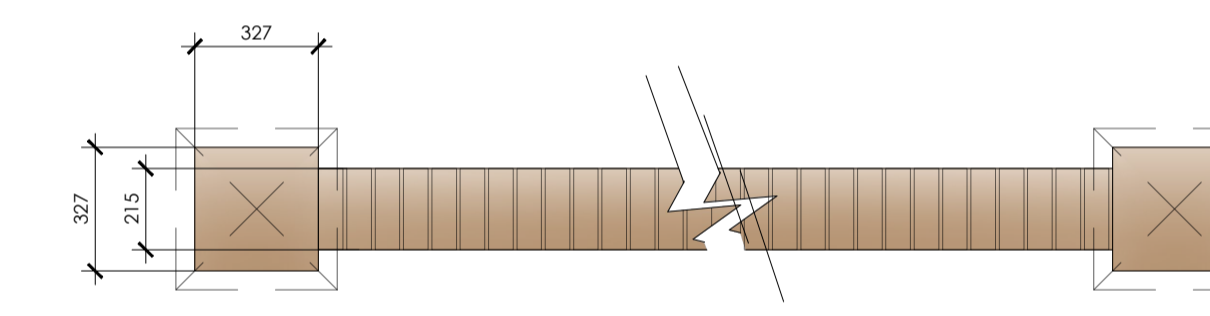
WILDLIFE HOLES SET AT MAX 3M CENTRES ALONG LENGTH OF FENCES

FENCE POSTS SET IN 300MM DIA. HOLES, 1000MM DEEP SET IN CONCRETE TO MIN. HALF HOLE DEPTH.

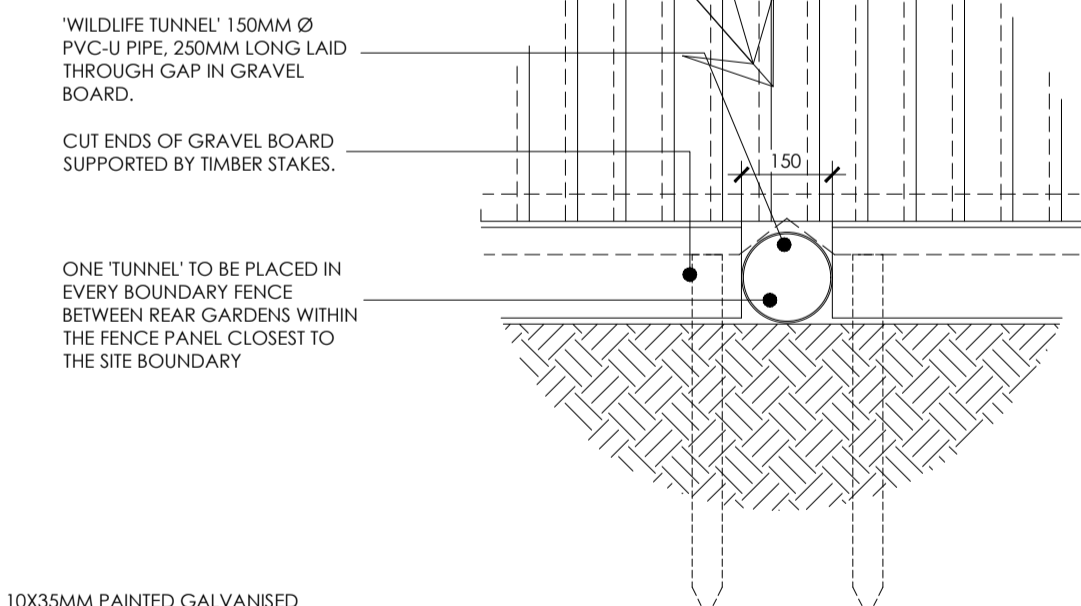
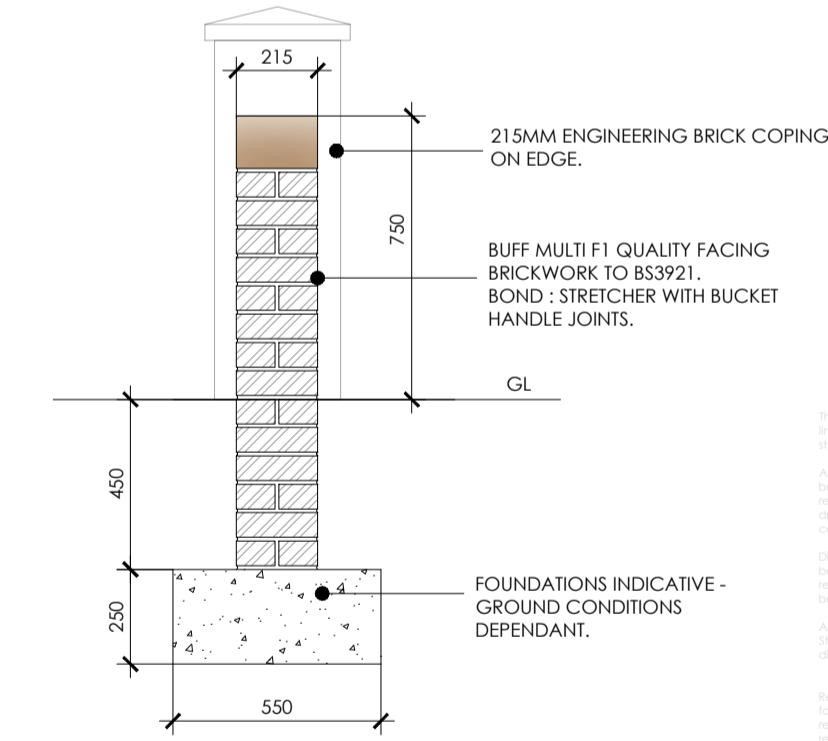
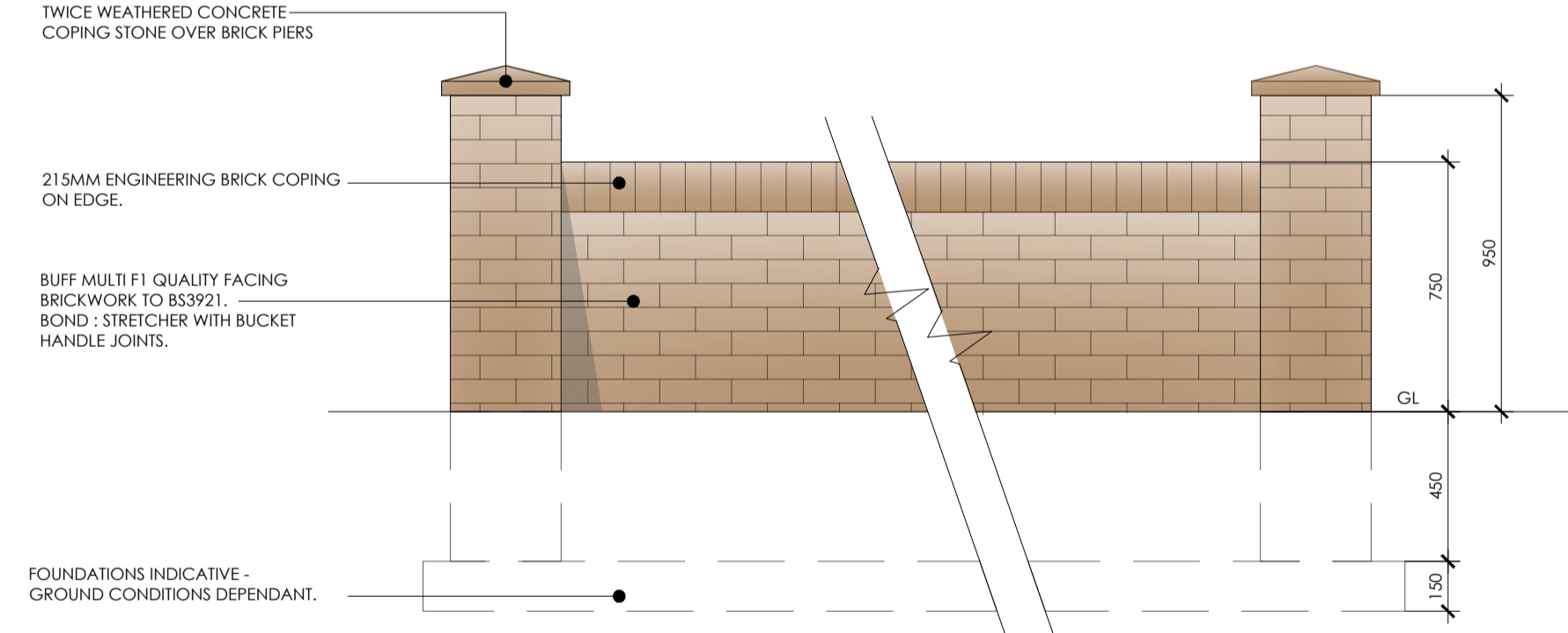


500mm TREATED TIMBER KNEE RAIL

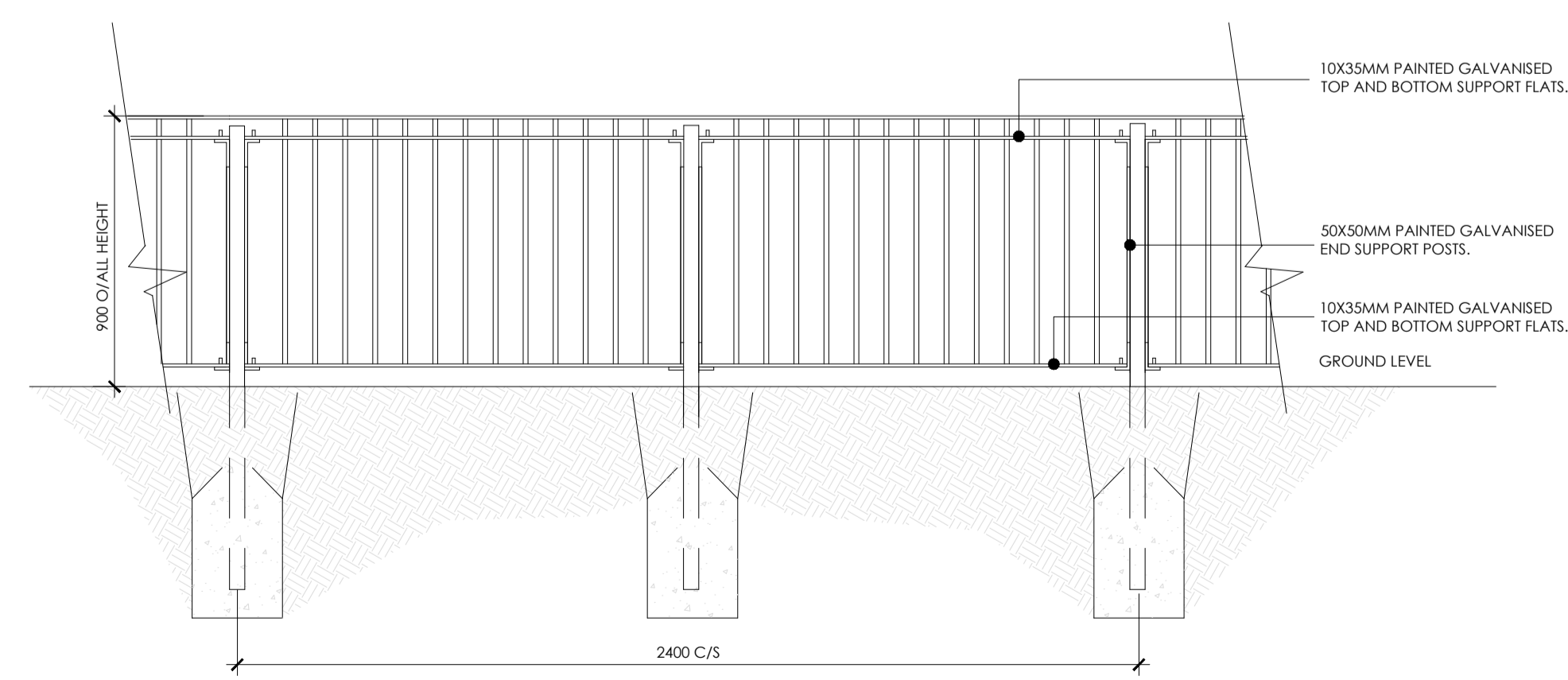
PLAN KEY REFERENCE



750MM HIGH FACING BRICK BOUNDARY WALL

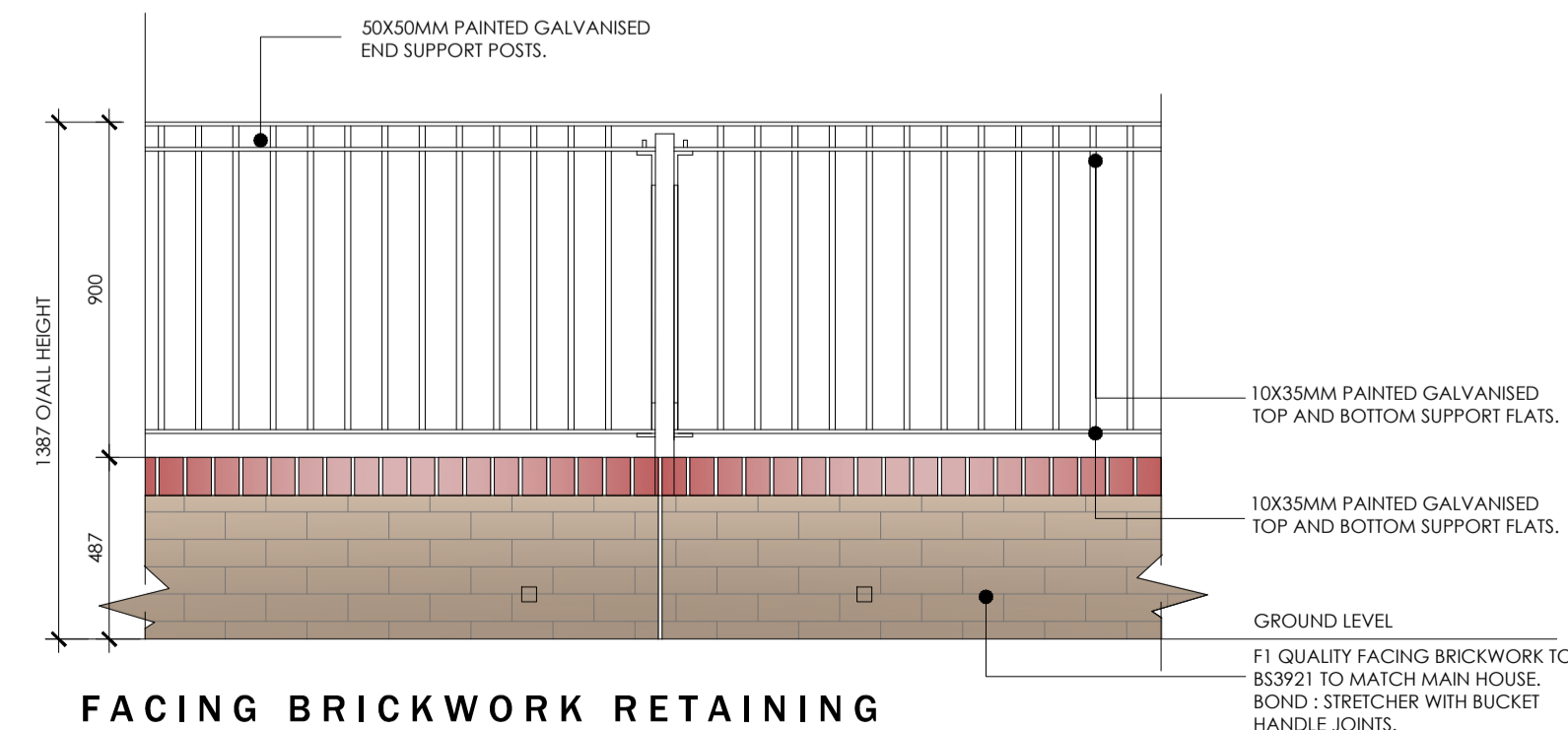


'WILDLIFE TUNNEL'



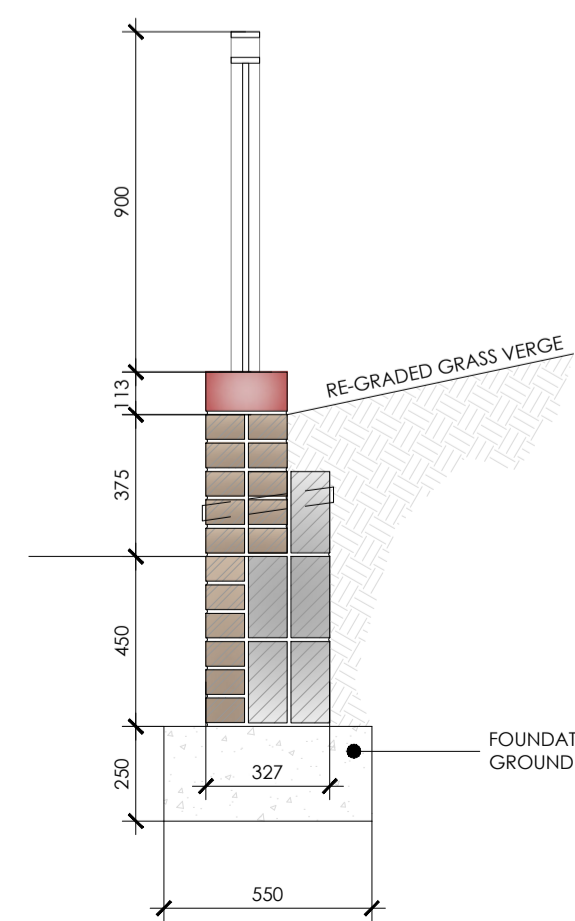
900mm STYLE RAILINGS

PLAN KEY REFERENCE



FACING BRICKWORK RETAINING WALL WITH RAILINGS

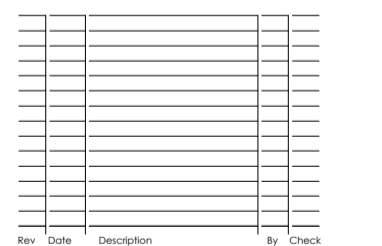
PLAN KEY REFERENCE



EXTERNAL BOUNDARY DETAILS

Scale 1:20
(This drawing to be read in conjunction with approved drawing LT2108.04.01 - Site Layout.)

These drawings are prepared for the use of the client and are not to be used for any other purpose without the written consent of the architect. The architect is not responsible for any errors or omissions in these drawings and is not liable for any consequences arising from their use. The client is responsible for ensuring that the drawings are used in accordance with the intended purpose and for any consequences arising from their use.



www.sunderarchitects.co.uk

Rompney Castle Estates Ltd
Former Rompney Castle
Wentloog Road,
Cardiff.

Drawing Title: Proposed External Boundary details

Project No:	LT2108	Issue:	Planning
Scale:	1:20	Drawn:	KML
Checked:	KML	Date:	June 21
Approved:		Revision:	

LT2108.04.02
www.sunderarchitects.co.uk

THE ROMPNEY CASTLE, CARDIFF