

Asian Star

Mooring Chain

江苏亚星锚链股份有限公司(AsAc)

ASIAN STAR ANCHOR CHAIN CO., LTD. JIANGSU (AsAc)



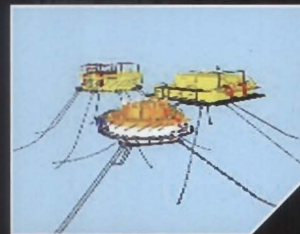
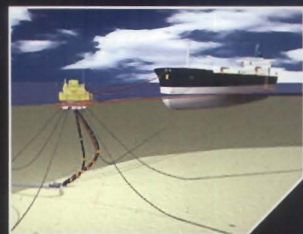
中国驰名商标

ASAc

亚星系泊链

ASAc

Asian **Star** Mooring Chain



SAFETY IS

GUARANTEED BY ASAc'S

R3, R3s, R4, R4s AND R5

MOORING CHAINS

企业介绍

Company Introduction



AsAc 概况
AsAc'S BRIEF



江苏亚星锚链股份有限公司 (AsAc) 是专业化从事船用锚链和海洋系泊链的生产企业。除总部在江苏靖江外, 另在镇江、马鞍山等地设有分公司, 现有员工近2000人。

公司创建于1981年, 20多年来, 已发展成为年产近25万吨锚链和海洋系泊链的企业。在生产、销售和出口方面, 连续多年名列国内同行第一。产品80%出口到世界50多个国家和地区, 是我国船用锚链和海洋系泊链生产和出口基地, 是世界行业内最大, 最具有综合实力的现代化企业, 是中国驰名商标, 国际著名品牌。

- **产品规格:** 直径12.5MM--157MM。
- **产品种类及等级:** AM2, AM3船用锚链、ORQ, R3, R3s, R4, R4s和R5海洋系泊链及其配套附件。
- **产品标准:** 国际ISO1704-2007、IACS W18、W22、API-2F, 各船级社规范, 中国GB/T 549-2008, 20848-2007以及为满足用户的其他非标准产品。

● **产品认可:** 获得ABS, BV, CCS, CR, DNV, GL, KR, LR, NK, RINA和RMRS 11个国际船级社的认可。

● **质量管理&健康、安全和环境体系:** 获得美国API和中国CSQA的ISO9001-2008/2000、API-Q1的质量管理体系和QSMSCC的ISO/Q/SHS0001-1-2001“健康、安全和环境体系(HSE)”认可。

● **产品典型用户:**

产品除了广泛使用在国内外各类船舶、海洋系泊工程及军事装备上和著名公司, 如丹麦“马士基航运”, 韩国“现代”, 日本“三菱”SBM, TRANSOCEAN, PETROBRAS and INTERMOOR等; R5系泊链, 被中国海洋石油总公司选用, 使用在最新第6代3000米深海半潜式石油钻井平台上和俄罗斯的维堡船厂建造的SMODU GAZFLOT项目上; 船用锚链被选用于代表当今世界船舶最高质量、超级豪华巨型游轮“玛丽王后2号”和“海洋自由号”, 是国际著名品牌之一。



Asian Star Anchor Chain Co., Ltd. (AsAc) in Jiangsu is a specialized manufacturer of anchor chains and offshore mooring chains. With its head quarter located in Jingjiang, Jiangsu Province, AsAc has about 2000 employees and its subsidiary companies are set up in Zhenjiang, Maanshan, etc..

Established in 1981, the company has developed as the largest producer in the world whose annual output of anchor chains is 250,000 tons. Over the past years, its production, sale and exports have ranked No.1 among its competitors. With 80% of its products are exported to more than 50 countries and regions around the world. AsAc is now the largest production and export base of anchor chains and offshore mooring chains in China. AsAc is the top chain maker in chain-making industry of the world and the most competent and powerful enterprise for its overall strength among the international competitors. AsAc's trademark has been recognized as well-known trademarks in China.

Specification: Diameter 12.5mm-157mm

Category And Grade:

AM2 and AM3 anchor chain for ship use; ORQ, R3,R3s,R4,R4s and R5 offshore mooring chains and their accessories.

Applied Standard:

ISO1704-2007, IACS W18 and W22, API-2F(U.S.A), Rules of Classification Societies, GB/T549-2008, 20848-2007(China) and other non-standard products in order to satisfy customers.

Approved Societies:

Approval by 11 international Classification Societies, such as ABS, BV, CCS, CR, DNV, GL, KR, LR, NK, RINA and RMRS and so on.

ISO Quality & HSE Management System:

ISO9001-2008/2000, API-Q1 Quality and ISO/Q/SHS0001-1-2001(HSE) management system have been separately approved by API (USA), CSQA(China) and QSMSCC (China).

Typical user:

AsAc's products are widely used in various kinds of projects of ships, offshore mooring engineering and military and by well-known Companies, such as MAERSK, HYUNDAI, MITSUBISHI, SBM, TRANSOCEAN, PETROBRAS and INTERMOOR etc. R5 offshore mooring chain has been used on the CNOOC's latest 6-G offshore drilling platform and the project SMODU GAZFLOT of Vyborg Shipyard JSC in Russia. Anchor chain are used on the most luxuriant and largest ocean liner Queen Mary 2 and Freedom of the Seas.





系泊链认可证书

Mooring Chain Approval Certificates

ABS, BV, DNV, LR, API-2F

DNV
DET NORSKE VERITAS
APPROVAL OF MANUFACTURER
CERTIFICATE
Certificate No. AMD-2022

This is to certify that
Jiangsu Asian Star Anchor Chain Co., Ltd.
Jingjiang, Jiangsu 214533, China

is an approved manufacturer of
Chain Cables

in accordance with
Det Norske Veritas Rules for Classification Pt. 2
DNV Certification Notes No. 2.6 - Certification of Offshore Mooring Chain
and the following particulars:

Product: Anchor chain, Offshore mooring chain, Chain cable accessories, NV R2, NV R3, NV R1, NV R2S, NV R4
Grades: NV R2, NV R3, NV R1, NV R2S, NV R4
Delivery condition: See page 2
Min. diameter: See page 2

Place and date:
Havik, 20th Dec 2012
For Det Norske Veritas AS
Hans Arnt Høyem
Head of Section

Place and date:
Havik, 20th Dec 2012
For Det Norske Veritas AS
Hans Arnt Høyem
Head of Section

This Certificate is valid until
2019-12-31

DNV
Cert. No.: AMD-2022

Particulars of the approval:

Chain Type	Grade	Delivery condition	Minimum	Bar manufacturer
Headline	NV R2	QT	152	Shanghai Xinyuan Special Steel Co., Ltd.
Headline	NV R3	QT	152	Shanghai Xinyuan Special Steel Co., Ltd.
Headline and end anchor	NV R2	QT	152	Shanghai Xinyuan Special Steel Co., Ltd.
Headline and end anchor	NV R3	QT	152	Shanghai Xinyuan Special Steel Co., Ltd.
Headline and end anchor	NV R1	QT	152	Shanghai Xinyuan Special Steel Co., Ltd.
Headline and end anchor	NV R2S	QT	152	Shanghai Xinyuan Special Steel Co., Ltd.
Headline and end anchor	NV R4	QT	152	Shanghai Xinyuan Special Steel Co., Ltd.

Remarks:
* Quenched and Tempered
** For offshore mooring chain, this approval is limited to the limit for manufacturer.

Manufacturing:
Control of material and process

Specifications for chemical composition, delivery condition:

Chain Type	Grade	Delivery condition	C	Mn	P	S	Si	Al	Ni	Cr	Mo	W	Co	Se	Te	As	Sb	Bi	Sn	Fe
NV R2	Max	0.025	0.035	0.005	0.002	0.002	0.002	0.002	0.002	0.002	0.002	0.002	0.002	0.002	0.002	0.002	0.002	0.002	0.002	0.002
NV R3	Max	0.025	0.035	0.005	0.002	0.002	0.002	0.002	0.002	0.002	0.002	0.002	0.002	0.002	0.002	0.002	0.002	0.002	0.002	0.002
NV R1	Max	0.025	0.035	0.005	0.002	0.002	0.002	0.002	0.002	0.002	0.002	0.002	0.002	0.002	0.002	0.002	0.002	0.002	0.002	0.002
NV R2S	Max	0.025	0.035	0.005	0.002	0.002	0.002	0.002	0.002	0.002	0.002	0.002	0.002	0.002	0.002	0.002	0.002	0.002	0.002	0.002
NV R4	Max	0.025	0.035	0.005	0.002	0.002	0.002	0.002	0.002	0.002	0.002	0.002	0.002	0.002	0.002	0.002	0.002	0.002	0.002	0.002

Notes:
* Quenched and Tempered
** For offshore mooring chain, this approval is limited to the limit for manufacturer.

ASAc Certificate number: M06-W-2012-001-0

THE SCHEDULE OF RECOGNITION

1. **RANGE OF PRODUCTS**
Flash but welded end anchor cable and offshore mooring end anchor cable. Grade: Q235, Q355 (Q355N) etc. see item 11. Item 11. Item 11.

2. **CONDITIONS FOR THE VARIETY OF THE RECOGNITION**
The relevant approval conditions, approval certificates for materials, used by one manufacturer are available and valid, as applicable, according to Bureau Veritas Rules for Classification. The Manufacturer shall make arrangements for a timely response to carry out approval in compliance with Bureau Veritas Rules for Classification.

3. **CONDITIONS FOR THE EXTENSION OF THE RECOGNITION**
1. Products related with and subject to Bureau Veritas Inspection Certificate, according to Bureau Veritas Rules for Classification. The relevant approval conditions, approval certificates for materials, used by one manufacturer are available and valid, as applicable, according to Bureau Veritas Rules for Classification. The Manufacturer shall make arrangements for a timely response to carry out approval in compliance with Bureau Veritas Rules for Classification.
2. Products related with and not subject to Bureau Veritas Inspection Certificate, according to Bureau Veritas Rules for Classification. The relevant approval conditions, approval certificates for materials are available and valid, as applicable, according to Bureau Veritas Rules for Classification. The Manufacturer shall make arrangements for a timely response to carry out approval in compliance with Bureau Veritas Rules for Classification.

American Petroleum Institute

Certificate of Authority to use the Official API Monogram
License Number: 2F-0014 ORIGINAL

The American Petroleum Institute hereby grants to:
JIANGSU ASIAN STAR ANCHOR CHAIN CO., LTD. (ASAC)
Dong Xing Town
Jingjiang City, Jiangsu
People's Republic of China

The right to use the Official API Monogram[®] on manufactured products under the conditions in the official publication of the American Petroleum Institute are entitled API Spec Q1[®] and API Spec 2F and in accordance with the provisions of the License Agreement.

In all cases where the Official API Monogram is applied, the API Monogram should be used in conjunction with the certificate number: **2F-0014**

The American Petroleum Institute reserves the right to revoke this authorization to use the Official API Monogram for any reason subject to the Board of Directors of the American Petroleum Institute.

The scope of this license includes the following products: Flash Wetted Chain; Forged Connecting Links.

OHS Exclusions: No Exclusions Identified as Applicable

Effective Date: **NOVEMBER 30, 2007**
Expiration Date: **AUGUST 31, 2012**
To verify the authenticity of this license, go to www.api.org/compliance.

Certificate No. 80001974200006

Approved by:
JIANGSU ASIAN STAR ANCHOR CHAIN CO., LTD.
Dongxing Town, 214533
Jingjiang
Jiangsu Province
China, People's Republic of

Product: Flash but welded end anchor cable and offshore mooring end anchor cable. Grade: Q235, Q355 (Q355N) etc. see item 11. Item 11. Item 11.

Grades Q1 and Q2 approved for the normalized supply condition and grade Q1 approved for the quenched and tempered supply condition.

28 July 2011
18 January 2008

Chief D/S Task
Senior Manufacturing Specialist, Supply Register Office
A member of the Lloyd's Register Group

ABS
Attachment G
Attachment to Approval letter Dated 21st May, 2004

20th November 2006

Jiangsu Asian Star Anchor Chain Co Ltd
Dongxing Town
Jingjiang Country
Jiangsu Province,
P. R. China

Refer to: SLCRCH
File Ref: S-6

Product: Studbed and Studless Offshore Mooring Chain
Common Link
ABS Grades: ABR03, RG3S
Manufacturing Process: Flash Butt-welded; Stud indentation
Heat Treatment Process: Quenched and Tempered
Maximum Nominal Diameter: 152 mm
Steel Bar Steel Supplier: Days Special Steel Co Ltd, China
Marking: ABR03, ABR03S

Product: Offshore Mooring Chain Accessories: Kender and End Link
ABS Grades: ABR03, RG3S
Manufacturing Process: Forged
Heat Treatment Process: Quenched and Tempered
Maximum Nominal Diameter: 152 mm
Steel Bar Steel Supplier: Baogang Shanghai Iron & Steel Co Ltd, China
Marking: ABR03, ABR03S

K.C.-Ho, Principal Surveyor

Page 1 of 2 of attachment G

ABS
Attachment F
Attachment to Approval letter Dated 21st May, 2004

18 Aug 2006

Jiangsu Asian Star Anchor Chain Co Ltd
Dongxing Town
Jingjiang Country
Jiangsu Province,
P. R. China

Refer to: SLCRCH
File Ref: S-6

Product: Studbed and Studless Offshore Mooring Chain
Common Link
ABS Grades: ABR04
Manufacturing Process: Flash Butt-welded; Stud indentation
Heat Treatment Process: Quenched and Tempered
Maximum Nominal Diameter: 132 mm
Steel Bar Steel Supplier: Days Special Steel Co Ltd, China
Marking: ABR04

Product: Offshore Mooring Chain Accessories: Enlarged Link and End Link
ABS Grades: ABR04
Manufacturing Process: Flash Butt-welded; Stud indentation
Heat Treatment Process: Quenched and Tempered
Maximum Nominal Diameter: 132 mm
Steel Bar Steel Supplier: Days Special Steel Co Ltd, China
Marking: ABR04

K.C.-Ho, Principal Surveyor

Page 1 of 2 of attachment F

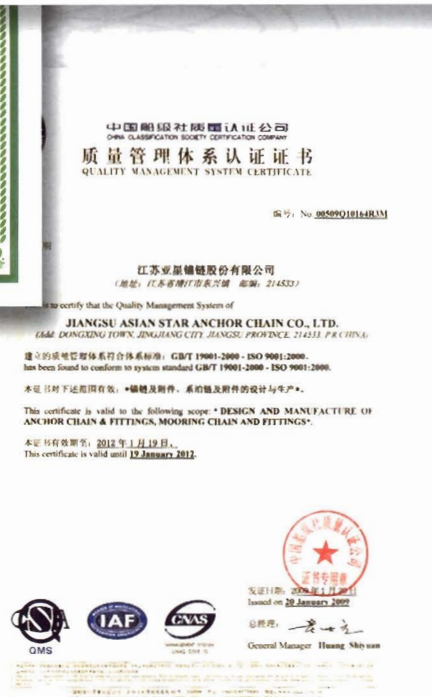
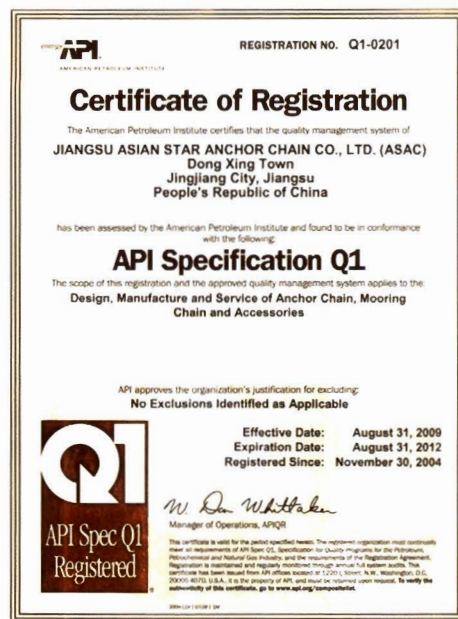
国际认可证书

International Approval Certificates



质量管理&健康、安全 和环境体系认可证书 ISO Quality & HSE System

API, CSQA—ISO9001-2008/2000, API Q1,
QSMSCC- ISO/Q/SHS0001-1-2001(HSE)



下料
Cutting



加热
Heating



编环
Bending



闪光焊接
Flash
butt
welding



去刺
Trimming



热处理
Heat Treatment



压档
Stud Setting



系泊链工艺流程

Manufacturing Process

拉力试验
Tensile Testing



表面抛丸
Shot Blasting



磁粉探伤
MT



无损探伤
NDT

· 仅用于系泊链
Mooring Chain Only



超声波探伤
UT



装运
Delivery



浸漆
Painting



打包
Packing



PIC.101MC



PIC.103MC



PIC.301MC

COMMON LINK=C (普通链环)

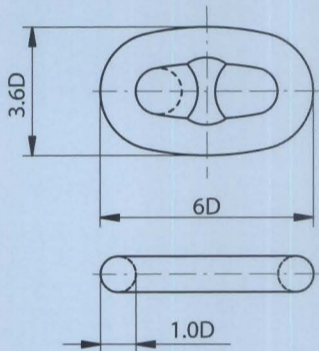


FIG.101MC

END LINK=E (末端环)

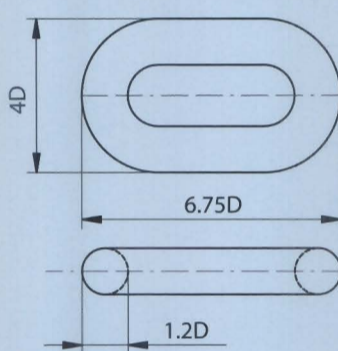


FIG.103MC

END SHACKLE=E.S (末端卸扣)

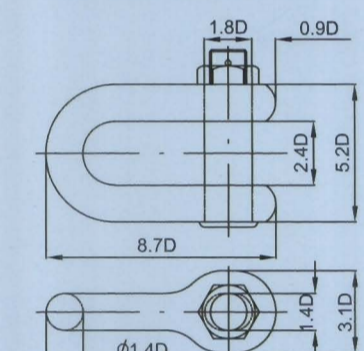


FIG.301MC

ENLARGED LINK=EL (加大链环)

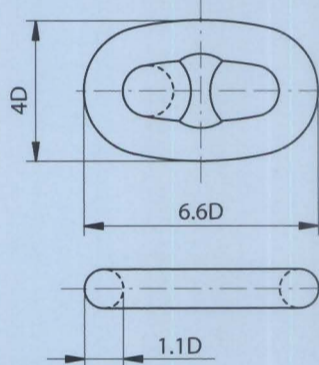


FIG.102MC

STUDLESS LINK=SL (无档链)

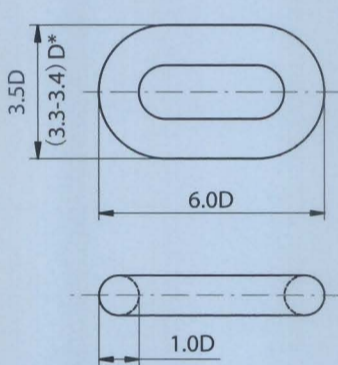


FIG.104MC

JOINING SHACKLE=J.S (连接卸扣)

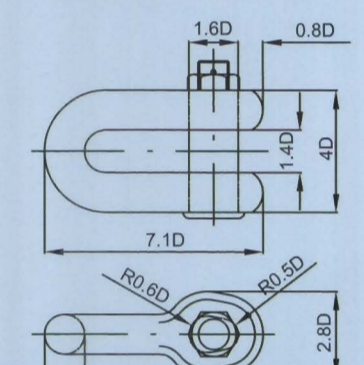


FIG.302MC

产品和附件 R5 Mooring Chain Links And Fittings



机械性能

Mechanical Properties

海洋系泊链 Offshore Mooring Chain

级别 Grade	屈服强度 Yield Point (N/mm ² ,min)	抗拉强度 Tensile Strength (N/mm ² ,min)	延伸率 Elongation (%,min)	断面收缩率 Reduction Of Area (%,min)	V型缺口冲击试验 Impact Test (V-notch)		
					试验温度 Test Temperature (°C)	平均能量Impact (J, min)	
						母材 Base Part	焊口 Weld Part
API Spec. 2F (ORQ)	---	641	17	40	0	58	49
					-15	40	36
ABS/ RQ3 DNV/NVR3	410	690	17	50	0	60	50
					-20	40	30
ABS/ RQ3S DNV/NVR3s	490	770	15	50	0	65	53
					-20	45	33
ABS/RQ4	580	860	12	50	-20	50	36
DNV/NVR4	580	860	12	50	0	70	56
					-20	50	36
ABS/R4s DNV/NVR4s	700	960	12	50	-20	56	40
ABS/R5 DNV/NVR5	760	1000	12	50	-20	58	42

- 屈服与拉伸的比值最大为0.92。
The Aim value of yield to tensile ratio is 0.92 max.
- ABS/R4s R5: 硬度试验 Hardness test: Max.HB 315

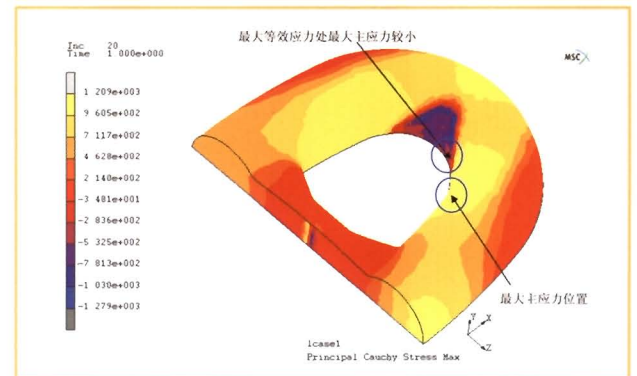
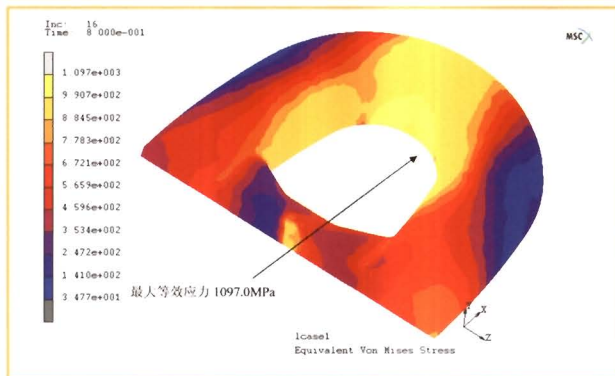
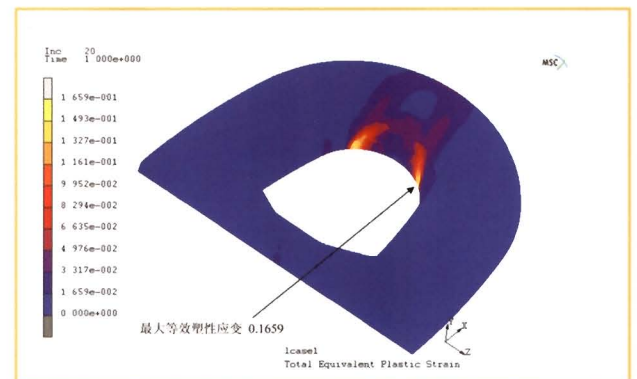
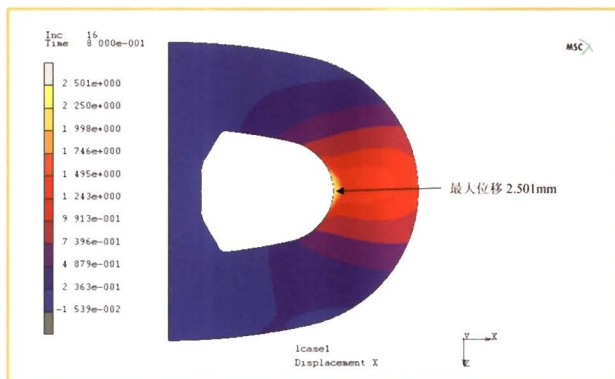
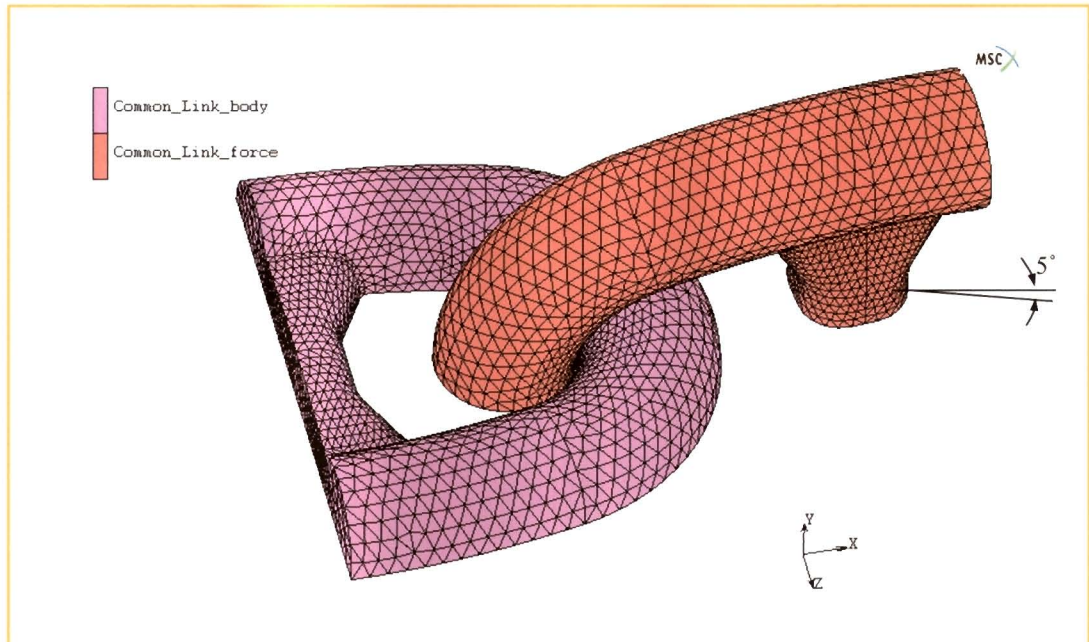
R4s, R5链负荷计算表

Proof and Break Test Loads for R4s & R5

Test Load, in kN	Grade R4s Stud Link R4s有档链	Grade R5 Stud Link R5有档链
Proof	0.0240 d ² (44 - 0.08d)	0.0251 d ² (44 - 0.08d)
Break	0.0304 d ² (44 - 0.08d)	0.0320 d ² (44 - 0.08d) *0.0319 d ² (44 - 0.08d)
Test Load, in kN	Grade R4s Studless R4s无档链	Grade R5 Studless R5无档链
Proof	0.0213 d ² (44 - 0.08d)	0.0223 d ² (44 - 0.08d)
Break	0.0304 d ² (44 - 0.08d)	0.0320 d ² (44 - 0.08d) *0.0319 d ² (44 - 0.08d)
Chain Weight, in kg/m	有档链 Stud link = 0.0219d ²	

Note . * DNV's rule. d = nominal diameter of chain

R5系泊链环有限元分析 (Link's FEA Of Mooring Chain)



海洋系泊链 OFFSHORE MOORING CHAIN											
链径 Diameter Of Chain	API		ABS	DNV	ABS/DNV	ABS/DNV			ABS/DNV		
	C/EL/E/SL	C/EL/E/SL	C/EL/E/SL	C/EL/E/SL	C/EL/E/SL	C/EL/E	SL	C/EL/E/SL	C/EL/E	SL	C/EL/E/SL
mm	ORQ		RQ3	NVR3	NVR3/RQ3	RQ3S/NVR3S			RQ4/NVR4		
	拉力负荷 PL C=0.014	破断负荷 BL C=0.0211	拉力负荷 PL C=0.0148	拉力负荷 PL C=0.0156	破断负荷 BL C=0.0223	拉力负荷 PL C=0.0180	拉力负荷 PL C=0.01743	破断负荷 BL C=0.0249	拉力负荷 PL C=0.0216	拉力负荷 PL C=0.01918	破断负荷 BL C=0.0274
	KN	KN	KN	KN	KN	KN	KN	KN	KN	KN	KN
50	1400	2110	1480	1561	2230	1800	1744	2490	2160	1919	2740
52	1508	2273	1594	1682	2402	1939	1878	2682	2327	2067	2952
54	1620	2441	1712	1806	2580	2083	2017	2881	2499	2220	3170
56	1735	2615	1834	1935	2764	2231	2161	3086	2677	2378	3396
58	1851	2794	1960	2068	2953	2383	2308	3297	2860	2540	3628
60	1976	2978	2089	2203	3147	2540	2460	3514	3048	2707	3867
62	2101	3166	2221	2343	3347	2701	2616	3737	3242	2879	4112
64	2230	3360	2357	2486	3551	2867	2776	3965	3440	3055	4364
66	2361	3559	2496	2633	3761	3036	2940	4200	3643	3235	4621
68	2496	3762	2639	2784	3976	3209	3108	4440	3851	3420	4885
70	2631	3970	2785	2938	4196	3387	3280	4685	4064	3609	5156
73	2847	4291	3010	3175	4535	3660	3545	5064	4392	3901	5572
76	3066	4621	3242	3419	4884	3942	3818	5454	4731	4201	6001
78	3216	4847	3400	3587	5123	4135	4005	5720	4962	4407	6295
81	3446	5194	3643	3843	5490	4431	4291	6130	5317	4722	6745
84	3683	5550	3893	4107	5866	4735	4585	6550	5682	5046	7208
87	3925	5916	4149	4377	6252	5046	4887	6981	6056	5378	7682
90	4173	6289	4412	4653	6647	5365	5196	7422	6439	5718	8167
92	4242	6544	4590	4842	6916	5582	5406	7722	6699	5949	8497
95	4599	6932	4862	5128	7326	5913	5726	8180	7096	6301	9001
97	4774	7195	5047	5323	7604	6138	5944	8490	7365	6541	9343
100	5040	7596	5328	5620	8028	6480	6275	8964	7776	6905	9864
102	5220	7868	5519	5821	8315	6712	6500	9285	8054	7152	10217
105	5495	8282	5809	6128	8753	7065	6842	9773	8478	7528	10754
107	5681	8561	6005	6334	9048	7304	7073	10103	8764	7783	11118
111	6058	9130	6401	6755	9650	7789	7543	10775	9347	8300	11856
114	6346	9565	6709	7077	10109	8159	7902	11287	9791	8695	12420
117	6639	10005	7018	7402	10574	8535	8266	11807	10242	9095	12993
120	6953	10452	7331	7733	11047	8916	8635	12334	10700	9502	13573
122	7135	10753	7542	7956	11365	9173	8883	12690	11008	9775	13964
124	7336	11057	7755	8175	11688	9433	9134	13048	11319	10051	14358
127	7641	11516	8078	8515	12172	9825	9514	13951	11790	10469	14955
130	7950	11981	8404	8858	12663	10222	9898	14140	12266	10892	15559
132	8157	12294	8623	9090	12994	10488	10156	14509	12586	11176	15965
137	8682	13085	9178	9674	13829	11163	10809	15442	13395	11895	16992
142	9214	13887	9740	10268	14677	11847	11472	16389	14217	12624	18034
147	9753	14670	10310	10869	15536	12540	12144	17348	15049	13363	19089
152	10299	15522	10887	11477	16405	13242	12823	18318	15890	14110	20157
157	11126	16768	11762	12090	17282	13950	13508	19297	16740	14864	21234

Note: Test Load=c X d² (44-0.08Xd)

链径 Diameter Of Chain	海洋系泊链 OFFSHORE MOORING CHAIN										
	API		ABS	DNV	ABS/DNV	ABS/DNV			ABS/DNV		
			C/EL/E/SL	C/EL/E/SL	C/EL/E/SL	C/EL/E	SL	C/EL/E/SL	C/EL/E	SL	C/EL/E/SL
	ORQ		RQ3	NVR3	RQ3/NVR3	RQ3S/NVR3S			RQ4/NVR4		
	拉力负荷 PL C=2030.5	破断负荷 BL C=3060.3	拉力负荷 PL C=2147	拉力负荷 PL C=2265.2	破断负荷 BL C=3236	拉力负荷 PL C=2610	拉力负荷 PL C=2527	破断负荷 BL C=3610	拉力负荷 PL C=3125	拉力负荷 PL C=2784	破断负荷 BL C=3977
inch	lbf	lbf	lbf	lbf	lbf	lbf	lbf	lbf	lbf	lbf	lbf
2	324361	488865	342971	361853	516932	416932	403674	576676	499201	444728	635302
2 1/16	343853	518243	363582	383598	547997	441988	427932	611331	529200	471454	673481
2 1/8	363844	548373	384719	405899	579856	467684	452811	646873	559966	498863	712635
2 3/16	384327	579244	406378	428750	612500	494013	478303	683290	591491	526947	752755
2 1/4	405297	610849	428551	452144	645920	520968	504400	720572	623764	555699	793827
2 5/16	426747	643178	451232	476074	680105	548540	531096	758708	656776	585109	835840
2 3/8	448672	676222	474414	500532	715046	576721	558381	797687	690519	615169	878782
2 7/16	471064	709972	498092	525514	750733	605505	586250	837499	724982	645872	922641
2 1/2	493920	744418	522258	551010	787158	634883	614693	878133	760157	677209	967406
2 9/16	517231	779553	546907	577016	824309	664847	643705	919578	796034	709170	1013064
2 5/8	540993	815365	572032	603524	862177	695390	673276	961823	832603	741750	1059604
2 11/16	565198	851847	597626	630528	900754	726504	703401	1004858	869857	774938	1107014
2 3/4	589842	889899	623684	658020	940029	758181	734071	1048672	907784	808727	1155282
2 13/16	614918	926783	650199	685994	979992	790414	765278	1093254	946377	843108	1204397
2 7/8	640420	965218	677164	714444	1020634	823194	797016	1138593	985625	878073	1254345
2 15/16	666341	1004287	704573	743362	1061945	856514	829276	1184680	1025519	913614	1305116
3	692677	1043979	732419	772742	1103917	890365	862051	1231501	1066051	949723	1356698
3 1/16	719421	1084286	760698	802577	1146538	924742	895334	1279049	1107210	986391	1409079
3 1/8	746566	1125199	789400	832860	1189799	959634	929117	1327310	1148987	1023610	1462247
3 3/16	774107	1166708	818522	863584	1233692	995036	963393	1376275	1191374	1061371	1516190
3 1/4	802038	1208804	848055	894744	1278205	1030938	998153	1425933	1234361	1099667	1570897
3 5/16	830353	1251479	877995	926331	1323330	1067334	1033392	1476274	1277938	1138489	1626355
3 3/8	859045	1294723	908333	958340	1369057	1104215	1069100	1527285	1322096	1177829	1682552
3 7/16	888109	1338528	939065	990763	1415376	1141573	1105271	1578958	1366826	1217678	1739478
3 1/2	917539	1382883	970183	1023595	1462278	1179402	1141896	1631280	1412119	1258029	1797119
3 9/16	947328	1427780	1001681	1056827	1509752	1217693	1178969	1684242	1457965	1298872	1855465
3 5/8	977470	1473210	1033553	1090453	1557790	1256438	1216482	1737832	1504356	1340200	1914503
3 3/4	1038792	1565631	1098392	1158863	1655518	1335260	1292798	1846854	1598731	1424278	2034609
3 7/8	1101454	1660074	1164650	1228768	1755383	1415807	1370783	1958261	1695171	1510194	2157342
3 15/16	1133274	1708031	1198295	1264266	1806093	1456707	1410383	2014832	1744142	1553821	2219664
4	1165410	1756466	1232275	1300117	1857309	1498015	1450377	2071967	1793601	1597883	2282608
4 1/8	1230610	1854734	1301217	1372853	1961219	1581824	1531521	2187886	1893946	1687279	2410311
4 1/4	1297007	1954805	1371423	1446925	2067035	1667170	1614153	2305932	1996133	1778315	2540358
4 3/8	1364552	2056606	1442843	1522277	2174681	1753992	1698214	2426019	2100086	1870925	2672653
4 1/2	1433196	2160004	1515426	1598856	2284079	1842227	1783643	2548061	2205732	1965042	2807102
4 5/8	1502892	2265107	1589121	1676607	2395153	1931814	1870381	2671972	2312996	2060602	2943610
4 3/4	1573591	2371662	1663876	1755478	2507825	2022690	1958367	2797667	2421803	2157536	3082083
4 7/8	1645244	2479655	1739640	1835413	2622019	2114793	2047541	2925058	2532079	2255779	3222425
5	1717804	2589014	1816363	1916360	2737657	2208061	2137843	3054061	2643751	2355265	3364543
5 1/8	1791221	2699666	1893992	1998263	2854661	2302431	2229212	3184588	2756742	2455926	3508340
5 1/4	1865448	2811539	1972478	2081070	2972957	2397842	2321589	3316555	2870979	2557698	3653723
5 3/8	1940436	2924558	2051768	2164726	3092465	2494232	2414913	3449876	2986388	2660514	3800597
5 1/2	2016137	3038652	2131813	2249176	3213109	2591537	2509125	3584463	3102894	2764306	3948867
5 5/8	2092502	3153747	2212559	2334369	3334812	2689697	2604163	3720232	3220423	2869010	4098439
5 3/4	2169484	3269771	2293958	2420248	3457497	2788649	2699968	3857097	3338900	2974559	4249217
5 7/8	2247033	3386651	2375957	2506761	3581087	2888331	2796480	3994971	3458250	3080886	4401108
6	2325102	3504313	2458504	2593854	3705505	2988680	2893638	4133768	3578401	3187925	4554015
6 1/8	2403641	3622686	2541550	2681472	3830674	3089635	2991382	4273403	3699276	3295611	4707846
6 1/4	2482604	3741695	2625043	2769561	3956516	3191133	3089653	4413790	3820801	3403876	4862504



公司已经形成强大国际销售网，在世界主要的地区和国家有代理和服务点。如德国、日本、新加坡、韩国和美国等。

国内外各主要船厂、航运和海洋石油工程广泛使用亚星锚链，产品质量获得用户一致好评。

公司开展良好的售后服务，与国内外的锚链经销商、用户有密切的业务联系，经常开展互访、交流，及时解决用户的需求。

AsAc has formed a comprehensive international sales network. It has agents and service centers in the main regions and countries, such as Germany, Japan, Singapore, and South Korea, U.S.A. and so on.

AsAc's products have been adopted by most domestic and oversea shipyards or shipbuilding industry or offshore oil engineering and are honored for their excellent quality.

The company carries out the complete after-sale service, keep in communication and visits each distributor and customer at home and abroad to solve their problems and meet their requirements.



中国海洋石油总公司 & 江苏亚星锚链股份公司 深水半潜式钻井平台R5系泊链供货合同



▲ R5系泊链合同签字仪式 Signing Ceremony of R5 Mooring Chain ,CNOOC and AsAc.





R5 超高强度系泊链

SUPER

STRENGTH

MOORING CHAIN



亞 星

江苏亚星锚链股份有限公司(AsAc)

地址: 中国江苏靖江东兴镇

电话: +86-0523-84681282

传真: +86-0523-84681390

邮编: 214533

网址: <http://www.anchor-chain.com>

电子邮件: sales@anchor-chain.com

ASIAN STAR ANCHOR CHAIN CO., LTD. JIANGSU (AsAc)

ADD: Dongxing, Jingjiang, Jiangsu Province, China

TEL: +86-0523-84681282

FAX: +86-0523-84681390

Post Code: 214533

<http://www.anchor-chain.com>

E-mail: sales@anchor-chain.com