

OUR HISTORY AND EXPERTISE

Established in 1993, MXQ is a company with over 20 years experience in the distribution, packaging, installation, commissioning, and maintenance of industrial fluid handling systems. We are not just equipment distributors; MXQ is a company that specializes in closing the gap between equipment distribution and equipment operation. Our in-house sales, applications, engineering, installation, and commissioning teams work hand in hand with our clients on turn-key projects to ensure that all client requirements are met from the pre-construction phase thru the warranty phase. Our goal is to create long lasting relationships with our clients thru **WORLD CLASS TECHNOLOGY, SOLUTIONS, AND SERVICE.**



PUMPS FOR AN **UNLIMITED**
RANGE OF APPLICATIONS



Jamestown Industries Limited USA
5911 Sagamore Bay Lane Richmond,
Texas 77469
Telephone: 832 595-8557
Mobile: 832 488-4167
sales@JamestownIndustries.com
www.mxq-usa.com

**No matter your industry—you need a continuous
and reliable solution. MXQ provides a range of
quality pumps for your application**



PROGRESSIVE CAVITY PUMPS

In 2015, Bornemann Pumps Inc., stopped manufacturing the progressive cavity pump product line and MXQ acquired the complete stock of pumps and spare parts in the USA. MXQ is now servicing the existing global Bornemann client base while also developing and fabricating an equivalent product line which will service future market needs. MXQ pumps are GLOBALLY SOURCED and finished /machined in Houston, TX.

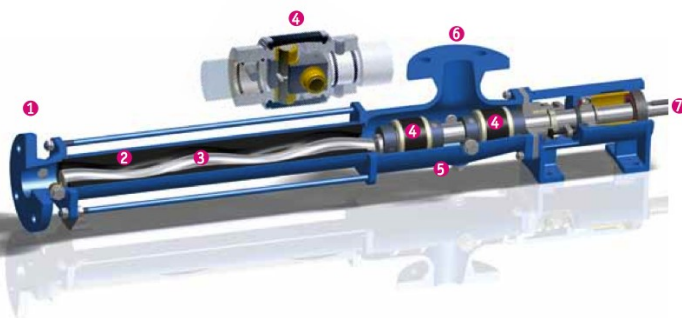
WIDE RANGE OF MEDIA PROCESSING

MXQ progressive cavity pumps (PCP) are self-priming, rotating, and valve-free positive displacement pumps that can process everything from thin liquids to viscous media. They reliably process even media with non-Newtonian viscosity characteristics, as well as abrasive, neutral, and aggressive media.

Media containing fibers or with very high solid content can also be reliably processed, as well as those containing gas and even foaming compounds. This wide range of media processing and various standard models offered means MXQ PCPs can move almost anything.

The fact that the pumps operate continuously means that the conveyed material is handled with the utmost care. The pumps operate with low pulsation and turbulence.

- 1 Pressure fitting
- 2 Stator
- 3 Rotor
- 4 Cardan joint
- 5 Pump housing
- 6 Intake fitting
- 7 Drive shaft



MXQ PC PUMPS

- Wide Range of applications
- Gentle and continuous conveying
- Dosing capability
- Long service life
- Various standard pump designs
- Custom engineering available
- Custom packaging available
- Individual shaft seals possible
- High strength cardan joint as standard
- Operate at a low pulsation and turbulence
- Delivery up to 1,320 GPM
- Differential pressure up to 1,100 PSI
- Viscosity 1,000,000 cst
- Solid particles size <3 inches
- Medium temperature up to 285 F°



Shanley Pump & Equipment, Inc

SHANLEY PUMPS

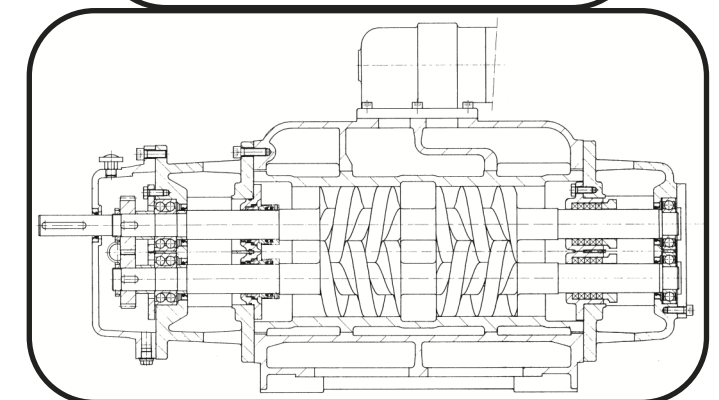
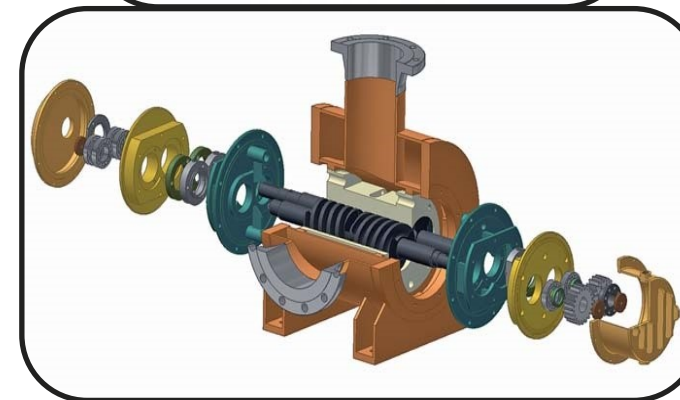
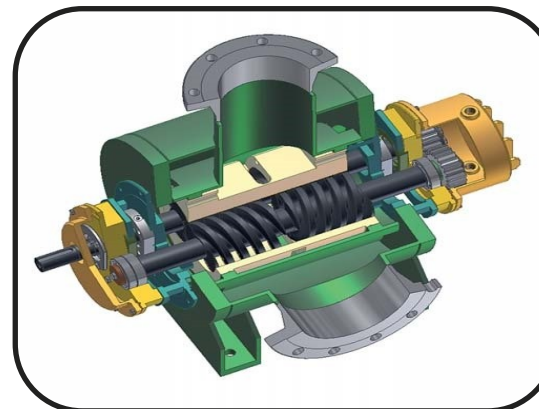
Shanley Pump prides itself in being a major player in the positive displacement pump industry for over 30 years. Over the years it has gained continuous recognition for being able to solve difficult pumping applications. The quality and longevity of their products have been able to stack up against some of the biggest names in the industry.

HIGH QUALITY TWIN-SCREW PUMPS

Shanley twin screw pumps can pump virtually any non-homogeneous fluid, regardless of viscosity, lubricity or abrasiveness e. g. seawater, bitumen, molasses, lime, acid, caustic solution or hydrocarbon. They can be manufactured in various sizes and can be constructed in the materials required for the application. Shanley twin screw pumps will not only meet your performance requirements, but they will withstand the test of time, requiring little to no maintenance.

TWIN-SCREW FEATURES

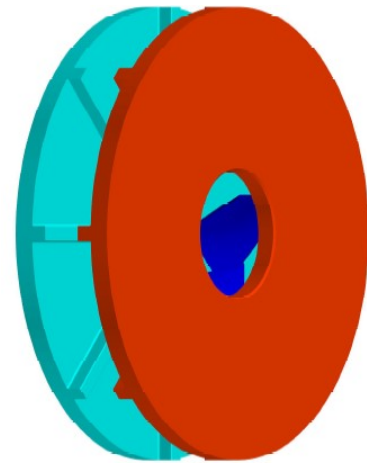
- Wide range of applications
- Internal or external timing gears
- Change of pumping direction - simple
- Up to 5,900 GPM
- Up to 580 PSI
- High viscosities possible
- Low pulsations
- Low noise level
- Dry running possible
- Constant flow on varying pressures and volumes





MXQ DISK PUMPS

MXQ Disk Pumps use the latest improved designs of disk pump technology, avoiding any clogging or plugging. They can also be retrofitted to replace impellers from open, semi-open, recessed, and air/gas entrained particles, high solids, and high viscosities. This efficiency is 5-9% better than other disc style pumps. Due to the low L3D4 radial load to rotating disk within the pump housing any standard C-faced motor from storeroom stock can be used. (No special proprietary motor needed for back-up spares.) MXQ Disk Pumps are 100% interchangeable with other pumps on the market such as Mission, some Crane Deming, and other slurry disk pumps



MXQ DISK PUMPS

- Various sizes available
- Wide range of applications
- Low Shear
- Low NPSH
- No tight internal tolerances
- Pulsation-free smooth laminar flow
- Dry-run capability
- Discharge can be dead-headed
- Suction can be starved
- Few Spares Needed



INDUSTRIES

- Water treatment
- Petroleum/Gas
- Pharmaceuticals
- Mineral Processing
- Food
- Paint
- Paper
- Sand
- Slurry Mixtures
- Sheer sensitive materials



ANSI PUMPS

The ANSI design was created in an effort to make replacement pumps easily accessible. All ANSI pumps are manufactured to be dimensionally interchangeable and have a back pull-out design. This allows facilities and plants the opportunity to source pumps from multiple manufacturers without changing their pipe schematic and design. *The MXQ G-Line Series is 100% interchangeable with the Goulds 3196 and the MXQ D-Line Series is 100% interchangeable with the Durco Mark III.*

G-LINE FEATURES

- 100 % interchangeable with **Goulds 3196**
- Manufactured to meet ANSI/ASME B73.1 standard
- Inpro bearing isolators
- SKF or equal bearings
- Standard, large and modified seal chambers
- External impeller adjustment
- Multiple materials of construction available (Carbon Steel, 316SS, CD4, Alloy 20, Hast B, Hast C)
- Open impeller design
- STX, MTX, LTX and XLT Models
- Various shaft and shaft sleeve combinations



D-LINE FEATURES

- 100 % interchangeable with **Durco Mark III**
- Manufactured to meet ANSI/ASME B73.1 standard
- Inpro bearing isolators
- SKF or equal bearings
- Standard, large and modified seal chambers
- External impeller adjustment
- Multiple materials of construction available (Carbon Steel, 316SS, CD4, Alloy 20, Hast B, Hast C)
- Reverse vane impeller design
- Mark III Groups 1, 2, & 3 Models
- Various shaft and shaft sleeve combinations



SPARE PARTS & MAINTENANCE KITS

- Large Inventory
- SKF Bearings
- Inpro Oil Seals
- Quality Products
- Fast Shipping

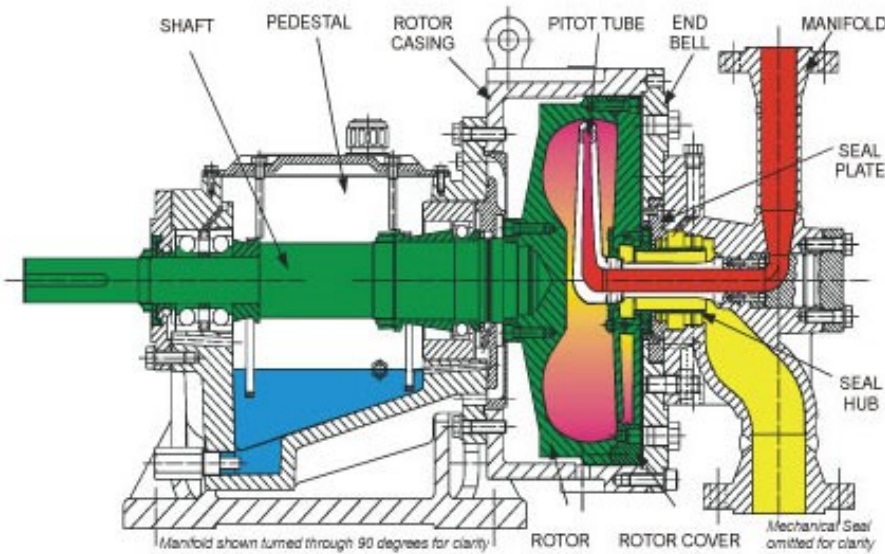




THOMAS PUMP

The high pressure pump industry is competitive and customers must choose wisely when deciding on the right provider for pumps, maintenance and complete systems. The GTO RHINO® and GTO GATOR® pitot tube pumps are built for complete reliability to meet the expected demands of high pressure applications. These hydraulically stable pitot tube pumps are low flow and in constant demand within many businesses and industries expecting performance. The adjustable capacity in a GTO high pressure pump is specifically designed for high demanding workloads. These pitot pumps can handle 30 to 400 GPM capacity range and create pressures up to 1600 psi. The pulsation that is present in competing pumps is eliminated with GTO pitot tube technology. This reduces the need for constant maintenance and service appointments due to vibration damage and system problems.

PITOT TUBE PUMP



THOMAS PUMPS

- Variety of applications
- Various sizes available
- Large sight glass
- Powder coated oil sump lining & power frame
- Magnetic drain plug
- Heavy-duty shaft bearings
- Bearing monitor feature
- Inpro© labyrinth oil seals

INDUSTRIES

- Environmental
- Pharmaceutical
- Food Processing
- Brine Injection
- Power Generation
- Waste Disposal
- Refinery
- Chemical/Petrochemical
- Paper Mills
- Sanitation



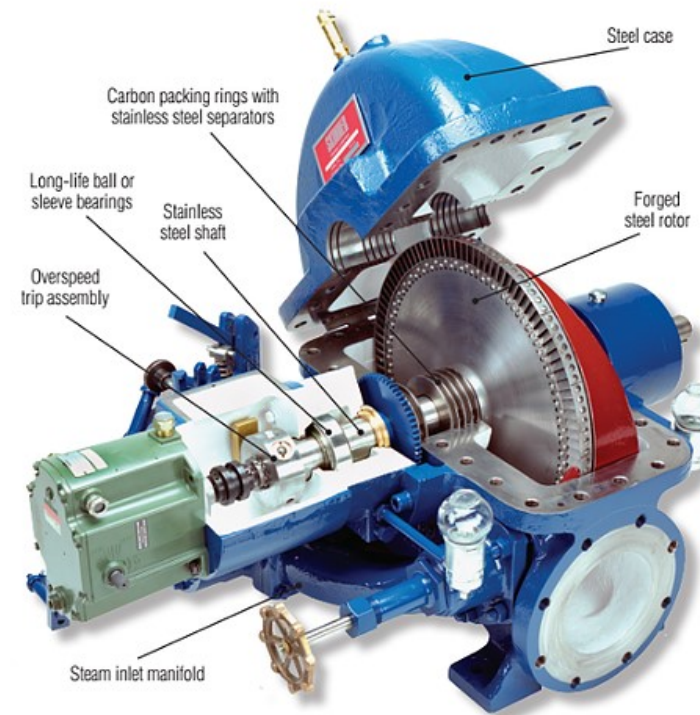
SKINNER TURBINES

In turbine applications where rugged and dependable performance with low capital investment is critical to your operation, the wise choice is a Skinner Single-Stage Steam Turbine. With a heritage in steam-driven equipment dating back to 1868, Skinner has earned a solid reputation in building single-stage steam turbines for clients around the world. Over the years, thousands of customers have designated Skinner as the driver of choice for their rotating equipment. As a result, they obtained power solutions for their unique operations within an affordable budget and with prompt delivery schedules. More importantly, Skinner has given the industry the reliability needed to help enhance productivity and boost earnings.

TYPICAL OPERATIONS

To date more than 20,000 turbines have been built and installed throughout the world providing customers with many years of outstanding operating performance driving pumps, fans, blowers, compressors, mills and electric generators. These turbines have served faithfully day and night under the most demanding conditions from steaming tropical heat to frigid wintry gales.

- Refineries
- Petrochemical Plants
- Pulp & Paper Mills
- Sugar Mills
- Steel Mills
- Palm Oil Processing
- Food Processing Plants
- Educational Facilities
- Hospitals
- Biomass Operations
- Waste-to-Energy Plants
- Combined Cycle Plants
- Distilleries



DROP-IN EQUIVALENTS*

In addition to their own high quality products, Skinner also provides "drop-in" equivalents and spares for the following brands:

- Elliott
- Westinghouse
- GE
- Carling
- Hayward Tyler
- Terry

*MXQ nor Skinner are affiliated with Elliott®, Westinghouse®, GE®, Carling®, Hayward Tyler®, or Terry®.