

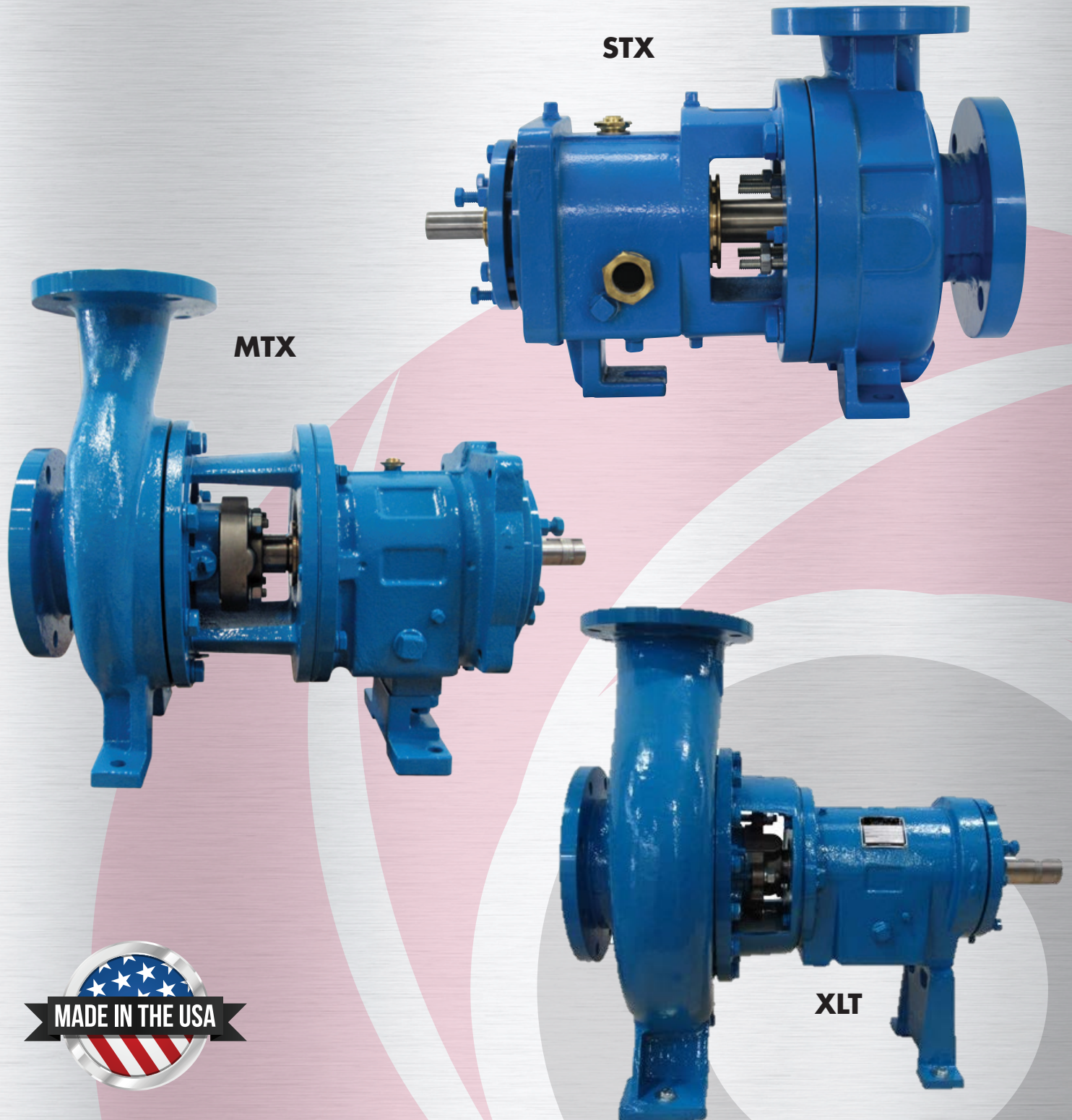


MXQ

Fluids in Motion

G-Line Series

STX | MTX | XLT



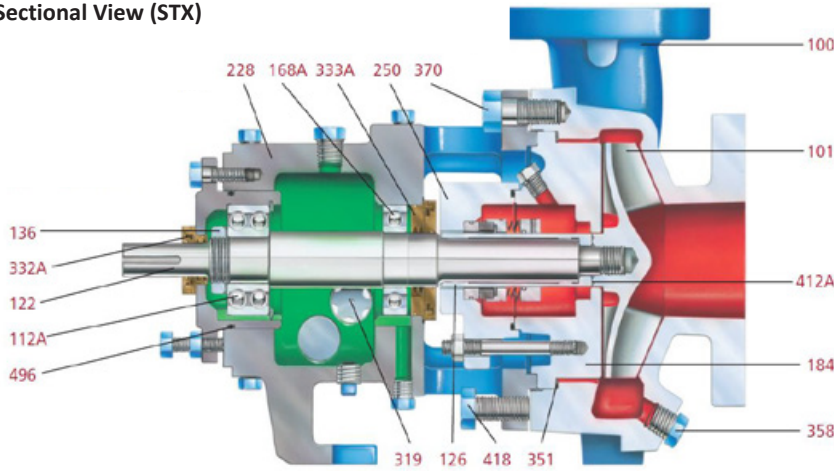
MTX

STX

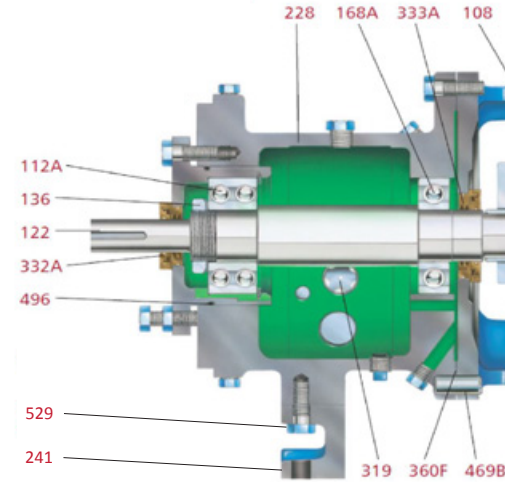
XLT



Sectional View (STX)



Sectional View (MTX)



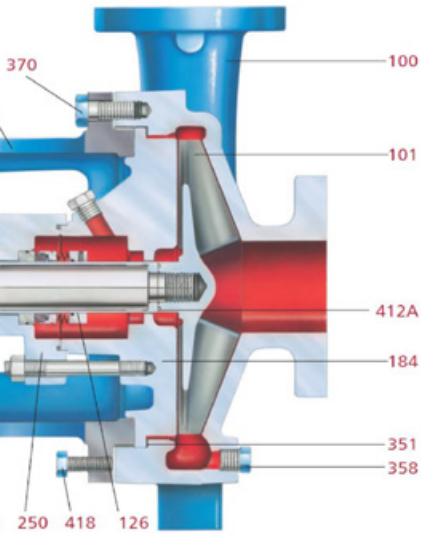
Specifications

- Manufactured to meet ANSI/ ASME B73.1 standard
- Inpro bearing isolators
- SKF or equal bearings
- Standard, large and modified seal chambers
- External impeller adjustment
- Multiple materials of construction available (Carbon Steel, 316SS, CD4, Alloy 20, Hast B, Hast C)
- Open impeller design
- 100% interchangeable with Goulds 3196
- STX, MTX, LTX and XLT models
- Various shaft and shaft sleeve combinations

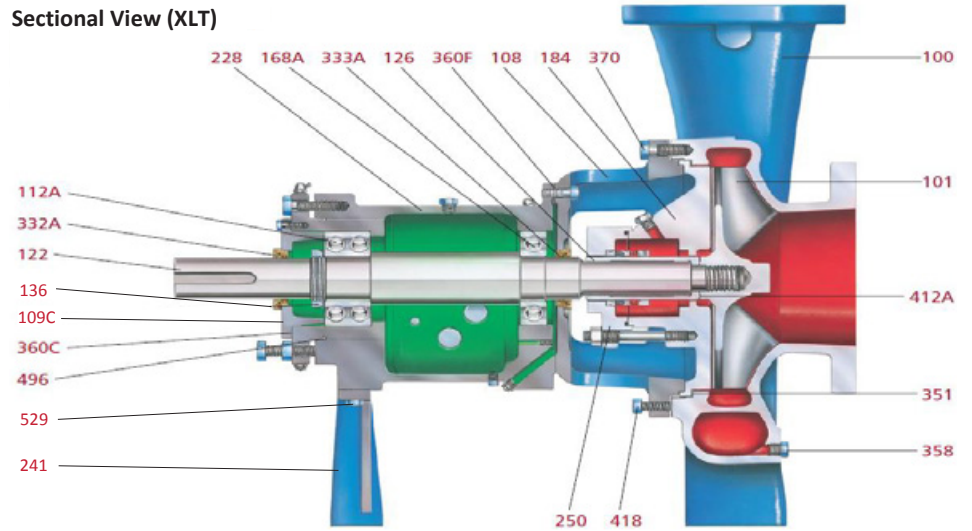
PARTS LIST & MATERIALS OF CONSTRUCTION

ITEM NUMBER	PART NAME	MATERIAL			
		WCB	316SS	CD4MCU	ALLOY 20
100	Casing	WCB		CD4MCu	Alloy 20*
101	Impeller	WCB		CD4MCu	Alloy 20*
105	Lantern Ring			Teflon	
106	Stuffing Box Packing			GoreTex	
108	Frame Adapter			WCB	
109C	Cover, Bearing Outboard (XLT Only)			WCB	
112A	Thrust Bearing			Double Row Angular Contact	
122	Shaft-Less Sleeve (Optional)		316SS		Alloy 20*
122	Shaft-With Sleeve		SAE4140		Alloy 20*
126	Shaft Sleeve		316SS		Alloy 20*
136	Bearing Locknut & Lockwasher			Steel	
168A	Radial Bearing			Single Row Ball	
184	Seal Chamber/Stuffing Box Cover	WCB	316SS	CD4MCu	Alloy 20*
228	Bearing Frame			WCB	
241	Foot, Frame (MTX & XLT Only)			WCB	
250	Gland		316SS		Alloy 20*
262	Repeller/Sleeve			CD4MCu	Alloy 20*
264	Gasket, Cover-to Backplate			Teflon	
370H	Stud -Cover-to-Adapter			Grade 8	
319	Oil Sight Glass			Glass/Steel	
332A	INPRO Labyrinth Oil Seal (Outboard)			Bronze w/Viton O-Rings	
333A	INPRO Labyrinth Oil Seal (Inboard)			Bronze w/Viton O-Rings	
351	Casing Gasket			Teflon	
358	Casing Drain Plug (Optional)	WCB	316SS		304SS
360F	Gasket, Frame-to Adapter (MTX & XLT Only)			Vellumoid	
360C	Gasket, Bearing End Cover (XLT Only)			Vellumoid	
370	Bolt, Adapter-to-Case	WCB		304SS	
412A	O-Ring, Impeller			Teflon	
418	Jacking Bolt, Adapter-to Case			304SS	
469B	Dowel Pin, Frame-to Adapter			Steel	
496	O-Ring, Bearing Housing			Buna N	
529	Bolt, Frame Foot to Frame (MTX & XLT Only)			Grade 8	



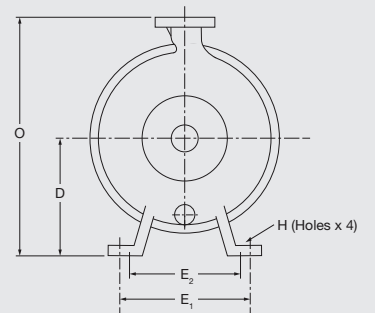
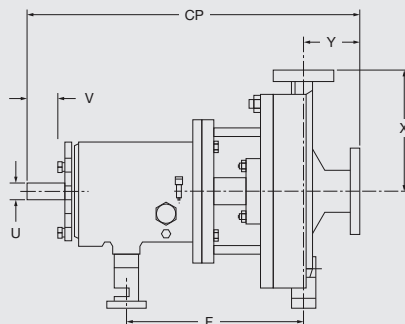


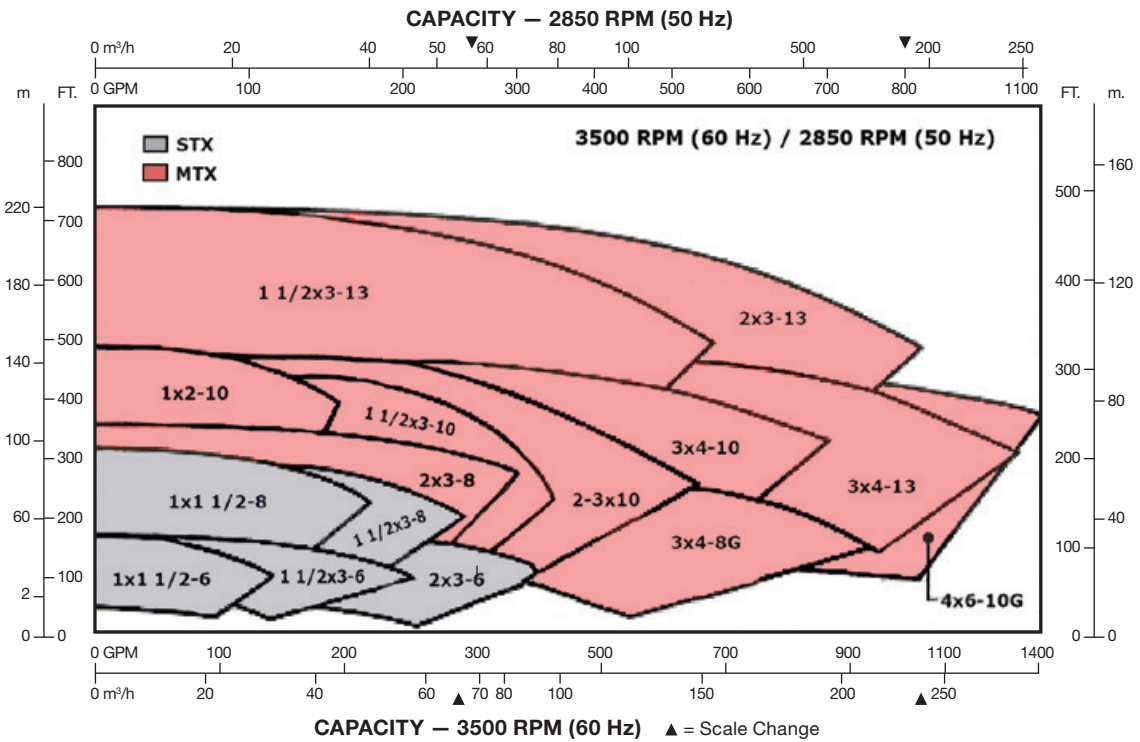
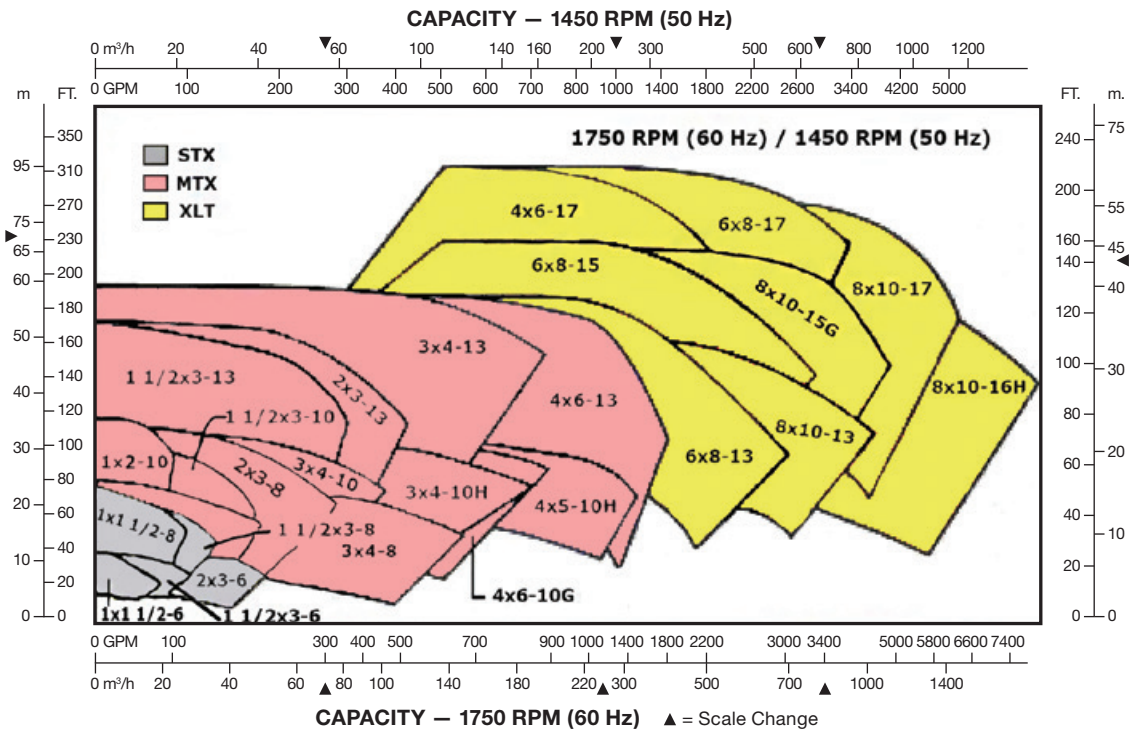
Sectional View (XLT)



	PUMP SIZE	DISCHARGE	SUCTION	CP	D	X	O	E ₁	E ₂	F	U	Y	V min.	H
STX	1x1.5-6	1	1.5	17.5	5.25	6.5	11.75	6	0	7.25	0.875	4	2	0.625
	1.5x3-6	1.5	3	17.5	5.25	6.5	11.75	6	0	7.25	0.875	4	2	0.625
	2x3-6	2	3	17.5	5.25	6.5	11.75	6	0	7.25	0.875	4	2	0.625
	1x1.5-8	1	1.5	17.5	5.25	6.5	11.75	6	0	7.25	0.875	4	2	0.625
	1.5x3-8	1.5	3	17.5	5.25	6.5	11.75	6	0	7.25	0.875	4	2	0.625
MTX/ LTX	2x3-8	2	3	23.5	8.25	9.5	17.75	9.75	7.25	12.5	1.125	4	2.625	0.625
	3x4-8	3	4	23.5	8.25	11	19.25	9.75	7.25	12.5	1.125	4	2.625	0.625
	3x4-8G	3	4	23.5	8.25	11	19.25	9.75	7.25	12.5	1.125	4	2.625	0.625
	1x2-10	1	2	23.5	8.25	8.5	16.75	9.75	7.25	12.5	1.125	4	2.625	0.625
	1.5x3-10	1.5	3	23.5	8.25	8.5	16.75	9.75	7.25	12.5	1.125	4	2.625	0.625
	2x3-10	2	3	23.5	8.25	9.5	17.75	9.75	7.25	12.5	1.125	4	2.625	0.625
	3x4-10	3	4	23.5	8.25	11	19.25	9.75	7.25	12.5	1.125	4	2.625	0.625
	3x4-10H	3	4	23.5	10	12.5	22.50	9.75	7.25	12.5	1.125	4	2.625	0.625
	4x6-10G	4	6	23.5	10	13.5	23.50	9.75	7.25	12.5	1.125	4	2.625	0.625
	4x6-10H	4	6	23.5	10	13.5	23.50	9.75	7.25	12.5	1.125	4	2.625	0.625
	1.5x3-13	1.5	3	23.5	10	10.5	20.50	9.75	7.25	12.5	1.125	4	2.625	0.625
	2x3-13	2	3	23.5	10	11.5	21.50	9.75	7.25	12.5	1.125	4	2.625	0.625
	3x4-13	3	4	23.5	10	12.5	22.50	9.75	7.25	12.5	1.125	4	2.625	0.625
	4x6-13	4	6	23.5	10	13.5	23.50	9.75	7.25	12.5	1.125	4	2.625	0.625
XLT	6x8-13	6	8	33.875	14.5	16	30.5	16	9	18.75	2.375	6	4	0.875
	8x10-13	8	10	33.875	14.5	18	32.5	16	9	18.75	2.375	6	4	0.875
	6x8-15	6	8	33.875	14.5	18	32.5	16	9	18.75	2.375	6	4	0.875
	8x10-15	8	10	33.875	14.5	18	32.5	16	9	18.75	2.375	6	4	0.875
	8x10-15G	8	10	33.875	14.5	19	33.5	16	9	18.75	2.375	6	4	0.875

**G-Line
Dimensional Drawing
(STX/MTX/XLT)**





MXQ

Fluids in Motion

**9203 Zaka Rd.
Houston, TX 77064**

**281-376-3500
sales@mxq-usa.com**