

FEUBO Catalogue 2019

Made in Germany



The strongest link
in your supply chain. FEUBO.

Introduction



Schmiedestück Betrieb Feuerstein GmbH was founded in 1989 by Mr Klaus Feuerstein, whereby he started to manufacturer mooring hardware.

Since 1994 this company is approved manufacturer of hardware for the offshore mooring industry and heavy lifting. During the years this company expanded in designing, engineering R&D and in-house testing of offshore mooring and heavy lifting hardware.

As per today, Schmiedestück Vertrieb Feuerstein GmbH, is known globally as Feubo, the leading designer and manufacturer of mooring and heavy lifting accessories and is still owned by the Feuerstein family.



Schmiedestück-Vertrieb Feuerstein GmbH
Beuler Höhe 16 - 20
D 45525 Hattingen
Germany

Phone: +49 2324 950750
Email: info@feubo.de
Internet: www.feubo.de





Table of Contents

1-8	Kenter Type Connections
9-11	C-Links
12-15	Links
16-23	Swivels
24-29	Shackles
30-31	Plates
32	Mooring Bridle
33-37	Sockets
38-42	Chasing Equipment
43	Hooks

Disclaimer

No part of this publication may be reproduced in any form, by print, copy or any other way without prior written permission of Schmiedestück Vertrieb Feuerstein GmbH.

Schmiedestück Vertrieb Feuerstein GmbH reserves all intellectual and industrial property rights such as any all of their patent, trademark, design, manufacturing, reproduction, use and sales rights thereto. All information in this publication is subject to change without prior notice.

Schmiedestück Vertrieb Feuerstein GmbH is not liable and/or responsible in any way for the information provided in this publication.

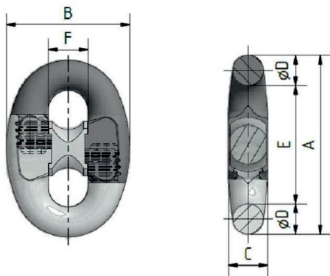
KenterType Connection



NDurLink

Available with Fastlockand Taper Pin

Offshoreaccessory to be used for Temporary and Mobile Mooring



chain dia.	A	B	C	D	E	F	R4 PL kN	R4 MRL kN	R4S PL kN	R4S MRL kN	R5 PL kN	R5 MRL kN
70	420	294	91	70	280	79	4064	5156	4516	5720	4723	6021
72	432	302	94	72	288	81	4282	5432	4758	6026	4976	6344
74	444	311	96	74	296	84	4504	5714	5005	6339	5234	6673
76	456	319	99	76	304	86	4754	6030	5282	6691	5524	7009
78	468	328	101	78	312	88	4962	6295	5514	6984	5766	7351
80	480	336	104	80	320	90	5198	6594	5775	7315	6040	7700
82	492	344	107	82	328	93	5438	6898	6042	7653	6319	8056
84	504	353	109	84	336	95	5682	7208	6313	7997	6602	8418
86	516	361	112	86	344	97	5930	7522	6589	8346	6891	8785
88	528	370	114	88	352	99	6182	7842	6869	8701	7184	9159
89	534	374	116	89	356	101	6310	8004	7011	8881	7332	9348
90	540	378	117	90	360	102	6439	8167	7154	9062	7482	9539
92	552	386	120	92	368	104	6699	8497	7443	9428	7784	9924
94	564	395	122	94	376	106	6962	8832	7736	9799	8091	10315
95	570	399	124	95	380	107	7096	9001	7884	9987	8246	10512
96	576	403	125	96	384	108	7230	9171	8033	10176	8402	10711
98	588	412	127	98	392	111	7501	9515	8335	10557	8717	11113
100	600	420	130	100	400	113	7776	9864	8640	10944	9036	11520
102	612	428	133	102	408	115	8054	10217	8949	11336	9359	11932
105	630	441	137	105	420	119	8478	10754	9420	11932	9851	12560
108	648	454	140	108	432	122	8909	11301	9899	12538	10352	13198
114	684	479	148	114	456	129	9791	12420	10879	13780	11378	14506
117	702	491	152	117	468	132	10242	12993	11380	14415	11902	15174
120	720	504	156	120	480	136	10700	13573	11889	15059	12434	15852
127	762	533	165	127	508	144	11789	14955	13099	16592	13700	17466
133	798	559	173	133	532	150	12746	16169	14163	17939	14812	18883
146	876	613	190	146	584	165	14881	18877	16534	20944	17292	22046
152	912	638	198	152	608	172	15890	20156	17655	22363	18464	23540

Type approved by: DNV-GL , ABS

Application: Temporary and Mobile Mooring

Manufactured & Tested: in Germany by Feubo

Material: Forged Steel -Grade R4, R4S, R5

Features: Slim KenterShackle thickness is up to 1.3 x nom. chain dia.

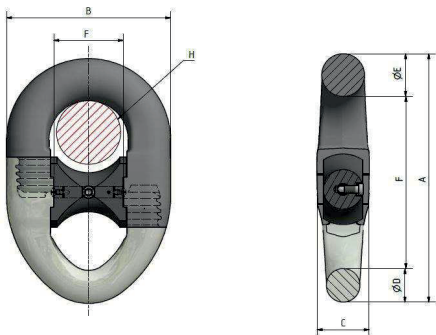


KenterType Connection



NDurAnchor Shackle

Offshore accessory to be used for Temporary and Mobile Mooring as defined in DNVGL-OS-E301
Position Mooring



chain dia.	A	B	C	D	E	F	G	H	R4 PL kN	R4 MBL kN	R4S PL kN	R4S MBL kN	R5 PL kN	R5 MBL kN
76	619	412	130	83	106	175	430	160	4754	6030	5282	6691	5524	7043
84	685	455	141	90	118	193	477	180	5682	7208	6313	7997	6602	8418
89	738	513	162	98	130	213	510	200	6439	8167	7154	9062	7482	9539
105	855	569	180	116	147	241	592	220	8478	10754	9420	11932	9851	12560
140	1140	754	239	150	190	322	800	300	13886	17615	15429	19544	16136	20572

Type approved by: DNVGL/ABS approval in progress

Application: Temporary and Mobile Mooring

Manufactured & Tested: in Germany by Feubo

Material: Forged Steel -Grade R4, R4S, R5

Features: Non-Standard KenterShackles to connect mooring chains directly to anchors

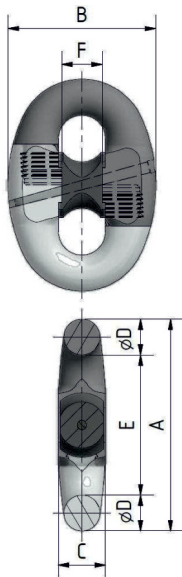
KenterType Connection



Raptor Thin Shackle

DNV-GL Type Approved

Offshore accessory to be used for Temporary and Mobile Mooring



chain dia.	A	B	C	D	E	F	R4 PL kN	R4 MBL kN	R4S PL kN	R4S MBL kN	R5 PL kN	R5 MBL kN
70	420	294	91	70	280	79	4064	5156	4516	5720	4723	6021
72	432	302	94	72	288	81	4282	5432	4758	6026	4976	6344
74	444	311	96	74	296	84	4504	5714	5005	6339	5234	6673
76	456	319	99	76	304	86	4731	6001	5257	6658	5498	7009
78	468	328	101	78	312	88	4962	6295	5514	6984	5766	7351
80	480	336	104	80	320	90	5198	6594	5775	7315	6040	7700
82	492	344	107	82	328	93	5438	6898	6042	7653	6319	8056
84	504	353	109	84	336	95	5682	7208	6313	7997	6602	8418
86	516	361	112	86	344	97	5930	7522	6589	8346	6891	8785
88	528	370	114	88	352	99	6182	7842	6869	8701	7184	9159
89	534	374	116	89	356	101	6310	8004	7011	8881	7332	9348
90	540	378	117	90	360	102	6439	8167	7154	9062	7482	9539
92	552	386	120	92	368	104	6699	8497	7443	9428	7784	9924
94	564	395	122	94	376	106	6962	8832	7736	9799	8091	10315
95	570	399	124	95	380	107	7096	9001	7884	9987	8246	10512
96	576	403	125	96	384	108	7230	9171	8033	10176	8402	10711
98	588	412	127	98	392	111	7501	9515	8335	10557	8717	11113
100	600	420	130	100	400	113	7776	9864	8640	10944	9036	11520
102	612	428	133	102	408	115	8054	10217	8949	11336	9359	11932
105	630	441	137	105	420	119	8478	10754	9420	11932	9851	12560
108	648	454	140	108	432	122	8909	11301	9899	12538	10352	13198
114	684	479	148	114	456	129	9791	12420	10879	13780	11378	14506
117	702	491	152	117	468	132	10242	12993	11380	14415	11902	15174
120	720	504	156	120	480	136	10700	13573	11889	15059	12434	15852
127	762	533	165	127	508	144	11789	14955	13099	16592	13700	17466
133	798	559	173	133	532	150	12746	16169	14163	17939	14812	18883
146	876	613	190	146	584	165	14881	18877	16534	20944	17292	22046
152	912	638	198	152	608	172	15890	20156	17655	22363	18464	23540



Type approved by:

DNV-GL

Application:

Temporary and Mobile Mooring

Manufactured & Tested: in Germany by Feubo

Material:

Forged Steel -Grade R4, R4S, R5

Features:

Slim KenterShackle thickness is up to 1.3 x nom. chain dia.

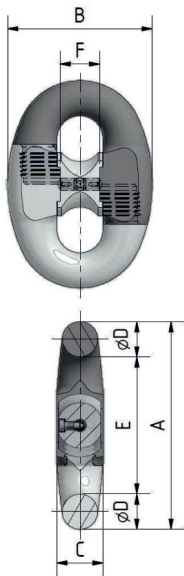
KenterType Connection



Raptor Thin Shackle Fastlock

DNV-GL Type Approved

Offshore accessory to be used for Temporary and Mobile Mooring as defined in DNV-OS-E301, Position Mooring



chain dia.	A	B	C	D	E	F	R4 PL kN	R4 MBL kN	R4S PL kN	R4S MBL kN	R5 PL kN	R5 MBL kN
70	420	294	91	70	280	79	4064	5156	4516	5720	4723	6021
72	432	302	94	72	288	81	4282	5432	4758	6026	4976	6344
74	444	311	96	74	296	84	4504	5714	5005	6339	5234	6673
76	456	319	99	76	304	86	4731	6001	5257	6658	5498	7009
78	468	328	101	78	312	88	4962	6295	5514	6984	5766	7351
80	480	336	104	80	320	90	5198	6594	5775	7315	6040	7700
82	492	344	107	82	328	93	5438	6898	6042	7653	6319	8056
84	504	353	109	84	336	95	5682	7208	6313	7997	6602	8418
86	516	361	112	86	344	97	5930	7522	6589	8346	6891	8785
88	528	370	114	88	352	99	6182	7842	6869	8701	7184	9159
89	534	374	116	89	356	101	6310	8004	7011	8881	7332	9348
90	540	378	117	90	360	102	6439	8167	7154	9062	7482	9539
92	552	386	120	92	368	104	6699	8497	7443	9428	7784	9924
94	564	395	122	94	376	106	6962	8832	7736	9799	8091	10315
95	570	399	124	95	380	107	7096	9001	7884	9987	8246	10512
96	576	403	125	96	384	108	7230	9171	8033	10176	8402	10711
98	588	412	127	98	392	111	7501	9515	8335	10557	8717	11113
100	600	420	130	100	400	113	7776	9864	8640	10944	9036	11520
102	612	428	133	102	408	115	8054	10217	8949	11336	9359	11932
105	630	441	137	105	420	119	8478	10754	9420	11932	9851	12560
108	648	454	140	108	432	122	8909	11301	9899	12538	10352	13198
114	684	479	148	114	456	129	9791	12420	10879	13780	11378	14506
117	702	491	152	117	468	132	10242	12993	11380	14415	11902	15174
120	720	504	156	120	480	136	10700	13573	11889	15059	12434	15852
127	762	533	165	127	508	144	11789	14955	13099	16592	13700	17466
133	798	559	173	133	532	150	12746	16169	14163	17939	14812	18883
146	876	613	190	146	584	165	14881	18877	16534	20944	17292	22046
152	912	638	198	152	608	172	15890	20156	17655	22363	18464	23540



Type approved by:

DNV-GL

Application:

Temporary and Mobile Mooring

Manufactured & Tested: in Germany by Feubo

Material:

Forged Steel -Grade R4, R4S, R5

Features:

Slim KenterShackle thickness is up to 1.3 x nom. chain dia.

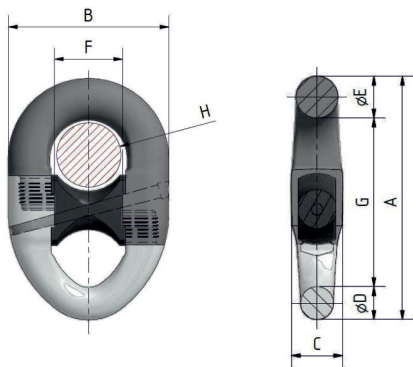
KenterType Connection



Raptor Anchor Shackle

DNV-GL Type Approved

Offshore accessory to be used for Temporary and Mobile Mooring as defined in DNV-OS-E301, Position Mooring



chain dia.	A	B	C	D	E	F	G	H	R4	R4	R4S	R4S	R5	R5
									PL	MBL	PL	MBL	PL	MBL
									kN	kN	kN	kN	kN	kN
76	619	412	130	83	106	175	430	160	4731	6001	5257	6658	5498	7009
84	685	455	141	90	118	193	477	180	5682	7208	6313	7997	6602	8418
89	725	482	152	98	125	205	502	190	6310	8004	7011	8881	7332	9348
95	745	510	163	98	130	217	517	200	7096	9001	7884	9987	8246	10512
120	978	650	205	132	168	276	678	260	10700	13573	11889	15059	12434	15852



Type approved by: DNV-GL

Application: Temporary and Mobile Mooring

Manufactured & Tested: in Germany by Feubo

Material: Forged Steel -Grade R4, R4S, R5

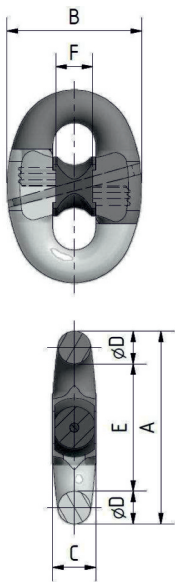
Features: Non-Standard Kenter Shackles to connect mooring chains to anchor shackles

KenterType Connection



Trident Thin Shackle

Offshore accessory to be used for Temporary and Mobile Mooring



chain dia.	A	B	C	D	E	F	R4 PL kN	R4 MBL kN	R4S PL kN	R4S MBL kN
70	420	294	91	70	280	79	4064	5156	4516	5720
72	432	302	94	72	288	81	4282	5432	4758	6026
74	444	311	96	74	296	84	4504	5714	5005	6339
76	456	319	99	76	304	86	4731	6001	5257	6658
78	468	328	101	78	312	88	4962	6295	5514	6984
80	480	336	104	80	320	90	5198	6594	5775	7315
82	492	344	107	82	328	93	5438	6898	6042	7653
84	504	353	109	84	336	95	5682	7208	6313	7997
86	516	361	112	86	344	97	5930	7522	6589	8346
88	528	370	114	88	352	99	6182	7842	6869	8701
89	534	374	116	89	356	101	6310	8004	7011	8881
90	540	378	117	90	360	102	6439	8167	7154	9062
92	552	386	120	92	368	104	6699	8497	7443	9428
94	564	395	122	94	376	106	6962	8832	7736	9799
95	570	399	124	95	380	107	7096	9001	7884	9987
96	576	403	125	96	384	108	7230	9171	8033	10176
98	588	412	127	98	392	111	7501	9515	8335	10557
100	600	420	130	100	400	113	7776	9864	8640	10944
102	612	428	133	102	408	115	8054	10217	8949	11336
105	630	441	137	105	420	119	8478	10754	9420	11932
108	648	454	140	108	432	122	8909	11301	9899	12538
114	684	479	148	114	456	129	9791	12420	10879	13780
117	702	491	152	117	468	132	10242	12993	11380	14415
120	720	504	156	120	480	136	10700	13573	11889	15059
127	762	533	165	127	508	144	11789	14955	13099	16592
133	798	559	173	133	532	150	12746	16169	14163	17939
146	876	613	190	146	584	165	14881	18877	16534	20944
152	912	638	198	152	608	172	15890	20156	17655	22363



Type approved by:

DNV-GL

Application:

Temporary and Mobile Mooring

Manufactured & Tested: in Germany by Feubo

Material:

Forged Steel -Grade R3, R3S, R4

Features:

Slim KenterShackles available with Fastlockoption

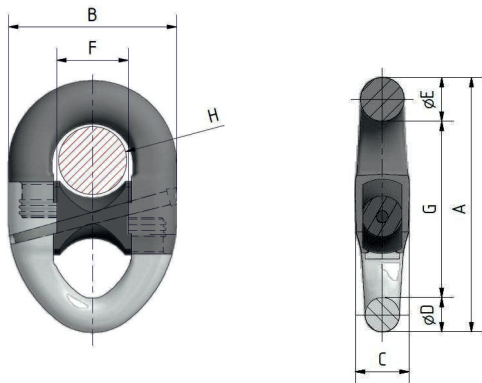
KenterType Connection



Trident Anchor Shackle

DNV-GL Type Approved

Offshore accessory to be used for Temporary and Mobile Mooring as defined in DNVGL-OS-E301, Position Mooring, July 2015



chain dia.	A	B	C	D	E	F	G	H	R4 PL kN	R4 MBL kN
76	619	412	130	83	106	175	430	160	4731	6001
84	685	455	141	90	118	193	477	180	5682	7208
89	725	482	152	98	125	205	502	190	6310	8004
95	745	510	163	98	130	217	517	200	7096	9001
120	978	650	205	132	168	276	678	260	10700	13573



Type approved by:

DNV-GL

Application:

Temporary and Mobile Mooring

Manufactured & Tested: in Germany by FeuBo

Material:

Forged Steel -Grade R4

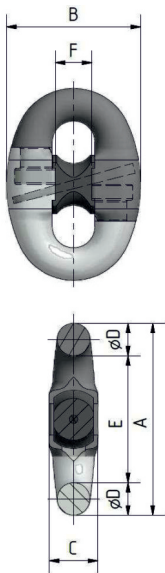
KenterType Connection



KenterJoining Shackle

Design according to ISO 1704

Offshore accessory to be used for Temporary and Mobile Mooring available with certification by DNVGL



chain dia.	A	B	C	D	E	F	R3 PL kN	R3 MBL kN	R3S PL kN	R3S MBL kN	R4 PL kN	R4 MBL kN
70	420	294	106	70	280	79	2935	4196	3387	4685	4064	5156
72	432	302	109	72	288	81	3092	4421	3568	4936	4282	5432
74	444	311	112	74	296	84	3253	4650	3753	5192	4504	5714
76	456	319	116	76	304	86	3417	4884	3942	5454	4731	6001
78	468	328	119	78	312	88	3584	5123	4135	5720	4962	6295
80	480	336	122	80	320	90	3754	5366	4332	5992	5198	6594
82	492	344	125	82	328	93	3927	5614	4531	6268	5438	6898
84	504	353	128	84	336	95	4104	5866	4735	6550	5682	7208
86	516	361	131	86	344	97	4283	6122	4942	6836	5930	7522
88	528	370	134	88	352	99	4465	6383	5152	7127	6182	7842
89	534	374	135	89	356	101	4557	6514	5258	7274	6310	8004
90	540	378	137	90	360	102	4650	6647	5365	7422	6439	8167
92	552	386	140	92	368	104	4838	6916	5582	7722	6699	8497
94	564	395	143	94	376	106	5028	7188	5802	8026	6962	8832
95	570	399	144	95	380	107	5125	7326	5913	8180	7096	9001
96	576	403	146	96	384	108	5222	7464	6025	8335	7230	9171
98	588	412	149	98	392	111	5418	7744	6251	8647	7501	9515
100	600	420	152	100	400	113	5616	8028	6480	8964	7776	9864
102	612	428	155	102	408	115	5817	8315	6712	9285	8054	10217
105	630	441	160	105	420	119	6123	8753	7065	9773	8478	10754
108	648	454	164	108	432	122	6434	9197	7424	10270	8909	11301
114	684	479	173	114	456	129	7071	10109	8159	11287	9791	12420
117	702	491	178	117	468	132	7397	10574	8535	11807	10242	12993
120	720	504	182	120	480	136	7728	11047	8916	12334	10700	13573
127	762	533	193	127	508	144	8515	12171	9824	13591	11789	14955
133	798	559	202	133	532	150	9206	13159	10622	14694	12746	16169
146	876	613	222	146	584	165	10747	15363	12401	17154	14881	18877
152	912	638	231	152	608	172	11476	16405	13241	18317	15890	20156



Standard Certification: available with DNV-GL, ABS, Lloyd's Register, Bureau Veritas
Application: for connection to mooring chain to FeuboSwivels, Shackles & Sockets in a variety of configurations

Manufactured & Tested: in Germany by Feubo

Material: Forged Steel -Grade R3, R3S, R4

Features: Same outer length as chain of same diameter, easy to disassemble

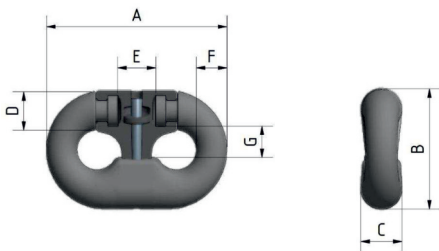
C-Links



C-Type Connector (Detachable Chain Connecting Link -DCCL)

Type Approved by DNVGL

Offshore accessory to be used for Temporary Mooring as defined in DNVGL-OS-E301, Position Mooring



chain dia.	A	B	C	D	E	F	G	R4 PL kN	R4 MBL kN
62-64	388	247	88	79	74	64	74	3440	4364
65-67	407	258	92	83	78	67	77	3747	4753
68-70	425	270	97	87	81	70	81	4064	5156
71-73	443	281	101	91	85	73	84	4392	5572
74-76	461	293	105	94	88	76	87	4731	6001
78-79	480	305	109	98	92	79	91	5079	6443
81-83	504	320	115	103	97	83	95	5559	7052
84-86	522	332	119	107	100	86	99	5930	7522
87-89	540	343	123	110	103	89	102	6310	8004
90-92	558	355	127	114	107	92	106	6699	8497
94-95	577	366	131	118	110	95	109	7096	9001
97-98	595	378	135	122	114	98	113	7501	9515
100-102	619	393	141	126	119	102	117	8054	10217



Type approved by:

DNV-GL

Application:

Temporary Mooring

Manufactured & Tested: in Germany by FeuBo

Material:

Forged Steel -Grade R4

Features:

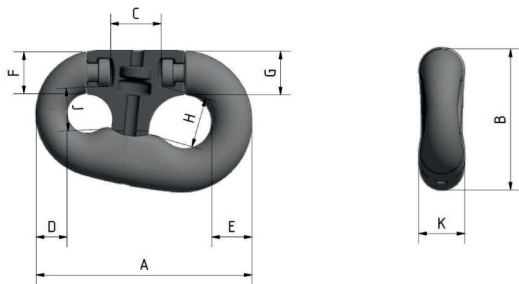
Used to connect chain in Temporary Mooring
as defined in Offshore Standard DNV-GL-OS-E301

C-Links

Pear Link (Detachable Anchor Connecting Link –DACL)

Type Approved by DNVGL

Offshore accessory to be used for Temporary Mooring as defined in DNVGLOSE301, Position Mooring



No.	chain dia.	A	B	C	D	E	F	G	H	J	K	R4 PL kN	R4 MBL kN
4	32-40	298	206	88	40	48	43	58	80	52	59	1410	1789
5	42-51	378	262	100	51	64	60	76	100	69	85	2243	2845
6	52-60	446	337	129	64	81	74	95	115	77	113	3048	3867
7	62-79	565	373	156	83	93	91	112	123	86	127	5079	6443
8	81-92	652	429	161	95	125	118	130	149	108	145	6699	8497
10	97-102	855	578	195	125	168	150	182	179	143	204	8054	10217



Type approved by:

DNV-GL

Application:

Temporary Mooring

Manufactured & Tested: in Germany by Feubo

Material:

Forged Steel -Grade R4

Features:

Used to connect chain in Temporary Mooring
as defined in Offshore Standard DNV-GL-OS-E301

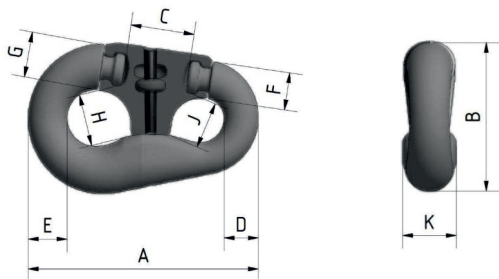
C-Links



MARC (Modified AnchorConnecting Link –MARC)

Type Approved by DNVGL

Offshore accessory to be used for Temporary Mooring as defined in DNVGL-OS-E301, Position Mooring



No.	chain dia.	A	B	C	D	E	F	G	H	J	K	R4 PL kN	R4 MBL kN
7	62-79	565	373	156	83	93	91	112	123	105	127	5079	6443
8	81-92	652	429	161	95	125	118	130	149	125	145	6699	8497



Type approved by: DNV-GL

Application: Temporary Mooring

Manufactured & Tested: in Germany by Feubo

Material: Forged Steel -Grade R4

Features: Used to connect chain in Temporary Mooring
as defined in Offshore Standard DNV-GL-OS-E301

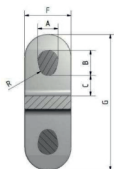
Links



H-Links

Type Approved by DNV-GL

Offshore accessory to be used for Temporary, Mobile and Long Term Mooring



chain dia.	A	B	C	D	E	F	G	R	R3 PL kN	R3 MBL kN	R3S PL kN	R3S MBL kN	R4 PL kN	R4 MBL kN	R4S PL kN	R4S MBL kN	R5 PL kN	R5 MBL kN
70	84	105	84	81	193	193	567	35,0	2935	4196	3387	4685	4064	5156	4516	5720	4723	6021
72	86	108	86	83	198	198	583	36,0	3092	4421	3568	4936	4282	5432	4758	6026	4976	6344
74	89	111	89	85	204	204	599	37,0	3253	4650	3753	5192	4504	5714	5005	6339	5234	6673
76	91	114	91	87	209	209	616	38,0	3417	4884	3942	5454	4731	6001	5257	6658	5498	7009
78	94	117	94	90	215	215	632	39,0	3584	5123	4135	5720	4962	6295	5514	6984	5766	7351
80	96	120	96	92	220	220	648	40,0	3754	5366	4332	5992	5198	6594	5775	7315	6040	7700
82	98	123	98	94	226	226	664	41,0	3927	5614	4531	6268	5438	6898	6042	7653	6319	8056
84	101	126	101	97	231	231	680	42,0	4104	5866	4735	6550	5682	7208	6313	7997	6602	8418
86	103	129	103	99	237	237	697	43,0	4283	6122	4942	6836	5930	7522	6589	8346	6891	8785
88	106	132	106	101	242	242	713	44,0	4465	6383	5152	7127	6182	7842	6869	8701	7184	9159
89	107	134	107	102	245	245	721	44,5	4557	6514	5258	7274	6310	8004	7011	8881	7332	9348
90	108	135	108	104	248	248	729	45,0	4650	6647	5365	7422	6439	8167	7154	9062	7482	9539
92	110	138	110	106	253	253	745	46,0	4838	6916	5582	7722	6699	8497	7443	9428	7784	9924
94	113	141	113	108	259	259	761	47,0	5028	7188	5802	8026	6962	8832	7736	9799	8091	10315
95	114	143	114	109	261	261	770	47,5	5125	7326	5913	8180	7096	9001	7884	9987	8246	10512
96	115	144	115	110	264	264	778	48,0	5222	7464	6025	8335	7230	9171	8033	10176	8402	10711
98	118	147	118	113	270	270	794	49,0	5418	7744	6251	8647	7501	9515	8335	10557	8717	11113
100	120	150	120	115	275	275	810	50,0	5616	8028	6480	8964	7776	9864	8640	10944	9036	11520
102	122	153	122	117	281	281	826	51,0	5817	8315	6712	9285	8054	10217	8949	11336	9359	11932
105	126	158	126	121	289	289	851	52,5	6123	8753	7065	9773	8478	10754	9420	11932	9851	12560
108	130	162	130	124	297	297	875	54,0	6434	9197	7424	10270	8909	11301	9899	12538	10352	13198
114	137	171	137	131	314	314	923	57,0	7071	10109	8159	11287	9791	12420	10879	13780	11378	14506
117	140	176	140	135	322	322	948	58,5	7397	10574	8535	11807	10242	12993	11380	14415	11970	15174
120	144	180	144	138	330	330	972	60,0	7728	11047	8916	12334	10700	13573	11889	15059	12434	15852
127	152	191	152	146	349	349	1029	63,5	8515	12171	9824	13591	11789	14955	13099	16592	13700	17466
133	160	200	160	153	366	366	1077	66,5	9206	13159	10622	14694	12746	16169	14163	17939	14812	18883
146	175	219	175	168	402	402	1183	73,0	10747	15363	12401	17154	14881	18877	16534	20944	17292	22046
152	182	228	182	175	418	418	1231	76,0	11476	16405	13241	18317	15890	20156	17655	22363	18464	23540

Type Approved by: DNV-GL
 Application: Temporary, Mobile and Long Term Mooring

Manufactured & Tested: in Germany by Feubo

Material: Forged Steel -Grade R3, R3S, R4, R4S, R5

Features: Used to connect common links/enlarged links/ end links of SLAC and studless chain



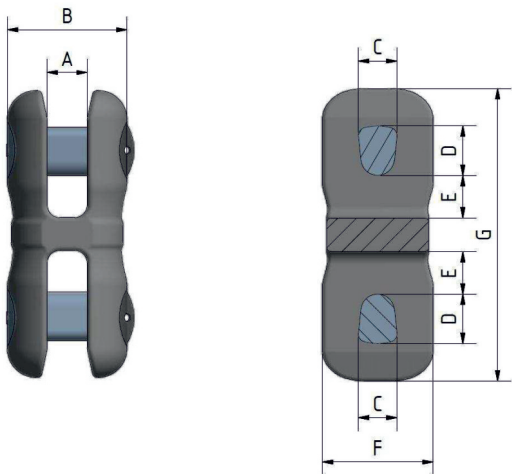
Links



Hybrid H-Connector

Type Approved by DNVGL

Offshore accessory to be used for Temporary, Mobile and Long Term Mooring as defined in DNVGLOS-E301, Position Mooring



chain dia.	A	B	C	D	E	F	G	76 mm R5 PL kN	76 mm R5 MBL kN	84 mm R4 PL kN	84 mm R4 MBL kN
76-84	97	290	92	118	101	263	696	5498	7009	5682	7208



Type approved by:

DNV-GL

Application:

Temporary, Mobile and Long Term Mooring

Manufactured & Tested: in Germany by Feubo

Material:

Forged Steel -Grade R4, R5

Features:

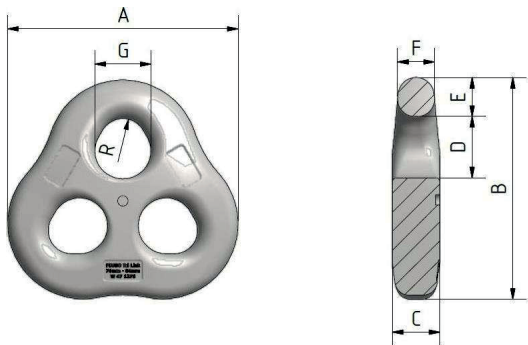
Used in connection with stud link and studless common links for Temporary, Mobile and Long Term Mooring as defined in Offshore Standard DNV-GL-OS-E302

Links



Tri-Link Adapter

Offshore accessory to be used for Temporary and Mobile Mooring



chain dia.	A	B	C	D	E	F	G	R	R4 PL kN	R4 MBL kN	R4S PL kN	R4S MBL kN	R5 PL kN	R5 MBL kN
68-75	491	460	100	129	79	73	120	50	4617	5857	5130	6498	5365	6840
76-84	550	515	112	145	89	82	134	56	5682	7208	6313	7997	6602	8418
89-98	642	601	131	169	104	96	156	65	7501	9515	8335	10557	8717	11113
104-114	746	699	152	197	121	111	182	76	9791	12420	10879	13780	11378	14506



Application: Temporary and Mobile Mooring

Manufactured & Tested: in Germany by Feubo

Material: Forged Steel -Grade R4, R5

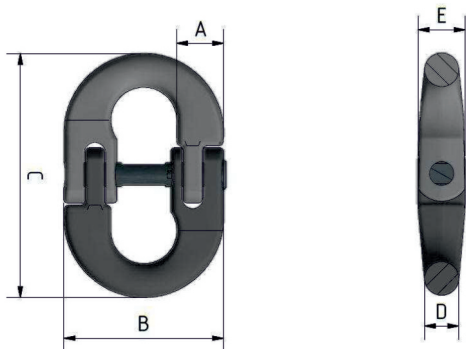
Features: Designed to fit any KenterType Joining Shackle of designated nominal chain size connect to FeuboSlim Swivel, FeuboSocket and chain

Links



Hinge Link

Offshore accessory to be used for Temporary and Mobile Mooring



SWL	A	B	C	D	E
110 to	102	360	560	76	108

Application: Temporary and Mobile Mooring

Manufactured & Tested: in Germany by Feubo

Material: Forged Steel -Grade R4, R5

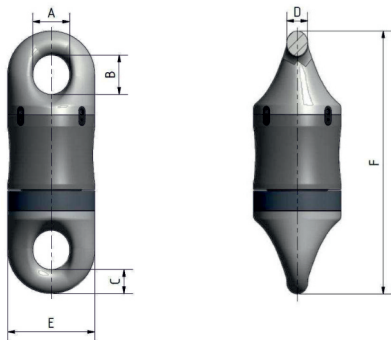
Swivels



Nautilus Swivel

Type Approved by DNV-GL, ABS

Offshore accessory to be used for Temporary, Mobile and Long Term Mooring



Nautilus	chain dia.	A	B	C	D	E	F	PL kN	MBL kN
450-600 t	70-76	135	145	88	77	320	967	4731	6022
750 t	76-84	140	145	93	80	360	920	7682	7358
850 t	84-89	140	145	94	94	360	920	6602	8418
1000 t	95-102	180	160	1009	96	400	1009	8246	10512



Type approved by:

Application:

Manufactured & Tested:

Material:

Features:

DNV-GL, ABS

Temporary and Mobile Mooring

in Germany by Feubo

Forged Steel -Grade R4, R5

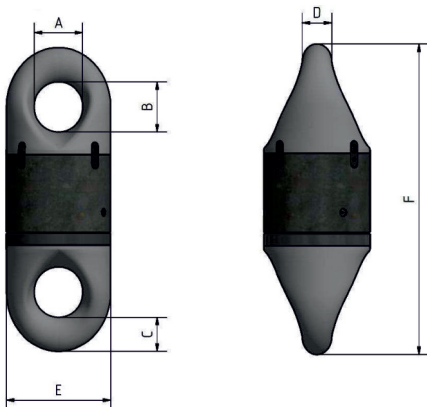
Slide bearings, Roller bearings

Swivels



Nautilus Slim Swivel

Offshore accessory



Nautilus Slim	chain dia.	A	B	C	D	E	F	PL kN	MBL kN
858 tf	70-84 mm	130	135	92	78	280	817	6602	8418
1216 t	89-102 mm	158	164	111	96	320	954	9359	11932

Application:

Manufactured & Tested:

Material:

Features:

Temporary and Mobile Mooring

in Germany by Feubo

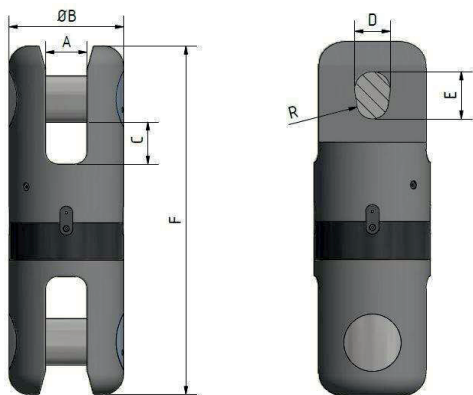
Forged Steel –Grade R4, R5

Slide bearings, Roller bearings

Swivels



Jaw & Jaw Bearing Swivel



chaindia.	A	B	C	D	E	F	R	MBL
70-84	101	280	103	86	114	856	38	400 To

Feubo's Heavy duty swivel incorporates a roller bearing, designed to eliminate minimal torque and requiring only a small breakout torque. The internal parts are sealed to protect them against corrosion and dirt. It is the most economic version of feubo's line of bearing swivels.

The swivel is fitted with feubo's pressure compensation valves and can be used at any water depth.

As a standard it comes with a 3rd party witnessed load test and full scope NDT certificate.

Application:

Manufactured & Tested:

Material:

Features:

Lifting and Rigging

in Germany by Feubo

Forged Steel

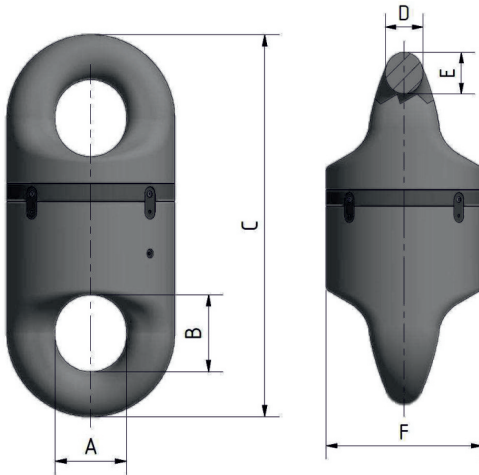
Roller bearings

Swivels



Bullet Swivel

Offshore accessory to be used for Temporary and Mobile Mooring



chain dia.	A	B	C	D	E	F	R4 PL kN	R4 MBL kN
70-76	140	145	663	83	83	316	4731	6002

Application: Temporary and Mobile Mooring

Manufactured & Tested: in Germany by Feubo

Material: Cast Steel -Grade R3, R3S, R4

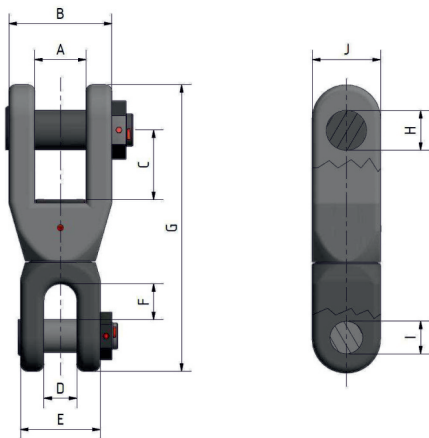
Swivels



SuperboxSwivel

DNV-GL Type Approved

Offshore accessory to be used for Temporary and Mobile Mooring as defined in DNV-OS-E301, Position Mooring



chain dia.	A	B	C	D	E	F	G	H	I	J
70-76,2	168	337	229	107	261	118	940	130	107	220
82,5-89	196	393	267	125	304	138	1097	151	125	257
94-102	224	451	306	144	349	158	1258	173	143	295
108-114	251	504	342	161	390	177	1406	194	160	329
117-124	273	548	372	175	424	192	1529	211	174	358
126-132	290	583	396	186	451	205	1628	224	185	381



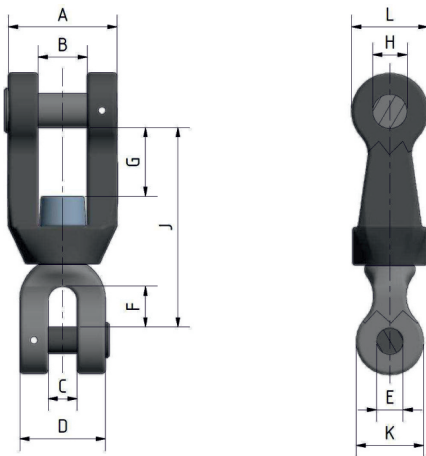
Type approved by: DNV
 Application: Temporary and Mobile Mooring
 Manufactured & Tested: in Germany by Feubo
 Material: Cast Steel -Grade R3, R3S, R4
 Forged Steel -Grade R4S, R5

Swivels



Type K Swivel

Anchor chain accessory



chain dia.	A	B	C	D	E	F	G	H	J	K	L
d	5 x d	2,2 x d	1,4 x d	4 x d	1,4 x d	1,8 x d	3,15 x d	1,7 x d	9,2 x d	2,8 x d	3,4 x d

Application: To be used as connection link between anchors and corresponding anchor chains

Manufactured & Tested: in Germany by Feubo

Material: Cast Steel

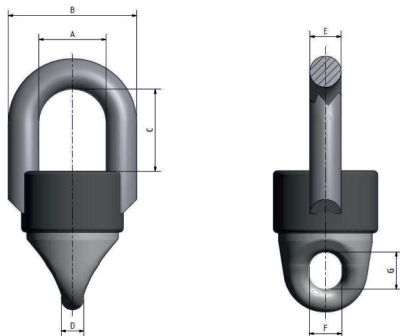
Features: Anchor chain accessory for grade 2 or 3

Swivels



Type M+F Swivel

Anchor chain accessory



chaindia.	A	B	C	D	E	F	G
30-32	109	202	124	32	45	50	56
38-42	140	260	160	41	58	64	72
44-48	161	299	184	47	67	74	83
50-54	182	338	208	53	75	83	94
58-62	210	390	240	62	87	96	108
64-68	231	429	264	68	96	106	119
70-76	256	475	292	75	106	117	131
78-81	277	514	316	81	115	126	142
82-90	308	572	352	90	128	141	158
92-103	350	650	400	103	145	160	180
105-111	378	702	432	111	157	173	194
112-117	403	748	460	118	167	184	207
120-124	427	793	488	125	177	195	220



Type Approval by:

DNV, Lloyd's Register, Bureau Veritas

Application:

To be used as connection link between anchors and corresponding anchor chains

Manufactured & Tested: in Germany by Feubo

Material:

Forged / Cast Steel

Features:

Anchor chain accessory in Grade 2,3

Swivels



Bow & Eye Swivel

Offshore accessory to be used for Temporary and Mobile Mooring

Dimensions according to ISO 1704



chain dia.	A	B	C	D	E	D	R3 PL kN	R3 MBL kN	R4 PL kN	R4 MBL kN
14	17	15	48	20	66	27	131	187	182	230
16	19	18	54	22	75	31	171	244	236	300
17,5	21	19	60	25	82	34	204	291	282	357
18	22	20	61	25	85	35	215	308	298	378
20	24	22	68	28	94	39	265	378	366	465
22	26	24	75	31	103	43	319	456	442	560
24	29	26	82	34	113	47	378	541	524	664
26	31	29	88	36	122	51	442	632	612	776
28	34	31	95	39	132	55	511	730	707	897
30	36	33	102	42	141	59	584	835	809	1026
32	38	35	109	45	150	62	662	946	917	1163
36	43	40	122	50	169	70	831	1188	1151	1460
40	48	44	136	56	188	78	1018	1456	1410	1789
43	52	47	146	60	202	84	1170	1672	1620	2055
44	53	48	150	62	207	86	1223	1748	1693	2147
46	55	51	156	64	216	90	1331	1903	1843	2338
50	60	55	170	70	235	98	1560	2230	2160	2740
54	65	59	184	76	254	105	1805	2580	2499	3170
56	67	62	190	78	263	109	1933	2764	2677	3396
60	72	66	204	84	282	117	2201	3147	3048	3867
66	79	73	224	92	310	129	2631	3761	3643	4621
69	83	76	235	97	324	135	2858	4085	3957	5020
76	91	84	258	106	357	148	3417	4884	4731	6001
83	100	91	282	116	390	162	4015	5739	5559	7052
90	108	99	306	126	423	176	4650	6647	6439	8167
90	108	99	306	126	423	176	4650	6647	6439	8167
95	114	105	323	133	447	185	5125	7326	7096	9001
107	128	118	364	150	503	209	6330	9048	8764	11118
132	158	145	449	185	620	257	9089	12993	12585	15965

Application: Temporary and Mobile Mooring

Manufactured & Tested: in Germany by Feubo

Material: Cast Steel -Grade R3, R3S, R4

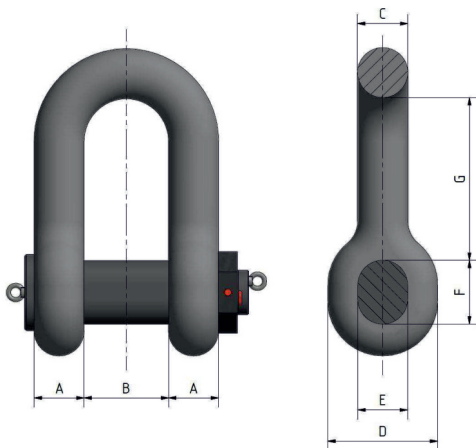
Shackles



Anchor Shackle

Offshore accessory to be used for LTM Temporary and Mobile Mooring

Bow and Pin dimensions according to ISO 1704



chain dia.	A	B	C	D	E	F	G
d	1,4 x d	2,4 x d	1,4 x d	3,1 x d	1,4 x d	1,8 x d	4,6 x d

Application: LTM, for connection of enlarged link to the anchor

Manufactured & Tested: in Germany by Feubo

Material: Forged Steel -all grades R3 to R5

Features: Double secured nut for LTM application

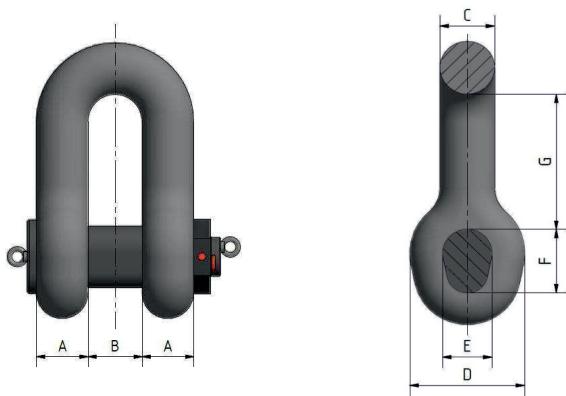
Shackles



D-Type Joining Shackle

Offshore accessory to be used for Temporary, Mobile and Long Term Mooring

Bow and Pin dimensions according to ISO 1704



chain dia.	A	B	C	D	E	F	G
d	1,3 x d	1,6 x d	1,3 x d	2,8 x d	1,2 x d	1,6 x d	3,4 x d

Application: Temporary, Mobile and Long Term Mooring

Manufactured & Tested: in Germany by Feubo

Material: Forged Steel –all grades R3 - R5

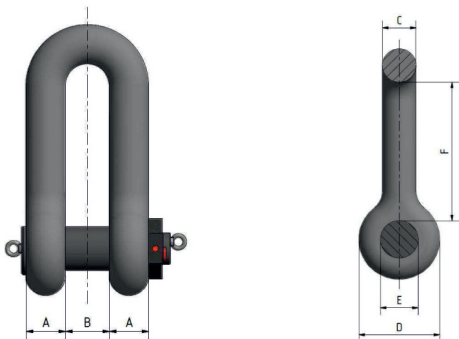
Features: Double secured nut for LTM application

Shackles



End Joining Shackle

Offshore accessory to be used for Temporary and Mobile Mooring



chain dia.	A	B	C	D	E	F
d	1,2 x d	1,4 x d	1,2 x d	2,8 x d	1,4 x d	5,2 x d

Application: Temporary and Mobile Mooring

Manufactured & Tested: in Germany by Feubo

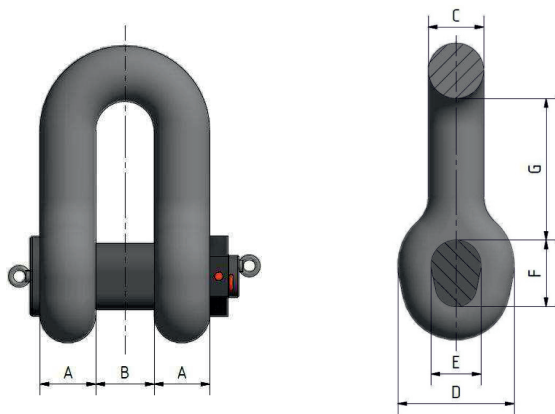
Material: Forged Steel –all grades R3 - R5

Shackles



Special D-Type Joining Shackle

Offshore accessory to be used for Temporary and Mobile Mooring



chain dia.	A	B	C	D	E	F	G
d	1,185 x d	1,3 x d	1,185 x d	2,8 x d	1,185 x d	1,6 x d	3,2 x d

Custom dimensions according to clients requirements
to connect studless common link and enlarged link

Application: Temporary, Mobile and Long term Mooring

Manufactured & Tested: in Germany by Feubo

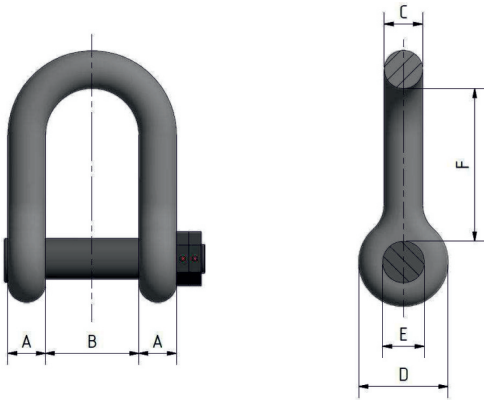
Material: Forged Steel –all grades R3 - R5

Shackles



Double Nut Shackle

Offshore accessory to be used for LTM Temporary and Mobile Mooring
Bow and Pin dimensions according to ISO 1704



Custom dimensions according to clients requirements

- Application: LTM, for connection of enlarged link to the anchor
Manufactured & Tested: in Germany by Feubo
Material: Forged Steel -all grades R3 - R5
Features: Double secured nut for LTM application

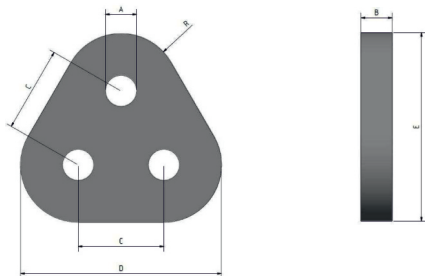
Plates



Tri Plate

DNV-GL Type Approved

Offshore accessory to be used for Temporary, Mobile and Long Term Mooring



SWL to	A	B	C	D	E	R	MBL to
17	47	35	120	270	254	75	85
25	55	40	150	310	290	80	125
35	60	50	160	360	339	100	175
55	75	70	210	440	412	115	275
85	90	80	230	520	489	145	425
120	110	100	280	640	602	180	600
150	115	110	320	710	667	195	750
175	115	110	320	730	687	205	875
200	140	120	390	840	788	225	1000
250	150	140	390	890	838	250	1250
300	160	150	420	940	884	260	1500
400	185	200	490	1110	1044	310	2000
500	200	200	550	1290	1216	370	2500
700	220	260	600	1400	1320	400	3500



Type Approved by: DNV-GL for 95, 105, 114, 120 mm chain in R4

Application: Temporary, Mobile and Long Term Mooring

Manufactured & Tested: in Germany by Feubo

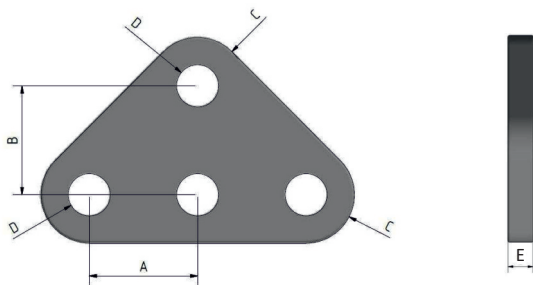
Material: Forged Steel – Grades R 4, R5

Plates



Delta Plate

Offshore accessory to be used for Temporary, Mobile and Long Term Mooring



chain dia.	A	B	C	D	E
d	min. 4,5 x d	3,5 x d	1,6 x d	1,45 x d	1,25 x d

Application: Manufactured to customer specification
Temporary, Mobile and Long Term Mooring

Manufactured & Tested: in Germany by Feubo

Material: Forged Steel –Grades R 4, R5

Mooring Bridle



Mooring Bridle

Dimensions to be agreed with Customer



Application: Mooring
Manufactured & Tested: in Germany by Feubo
Material: Forged Steel – Grade 3 - R4

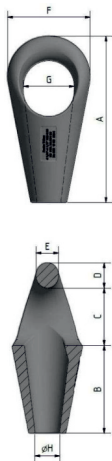
Sockets



C-Line Socket

Type Approved by DNVGL

Offshore accessory to be used for Temporary, Mobile and Long Term Mooring as defined in DNVGL Q5-E301, Position Mooring



Rope	A	B	C	D	E	F	G	H	R3 MBL kN	R4 MBL kN
31-36	267	138	90	40	35	132	81	38	1189	1416
37-42	312	161	105	46	41	155	95	44	1599	1965
43-48	356	184	120	53	47	177	108	50	2064	2536
49-54	401	207	134	59	53	199	122	57	2581	3171
55-60	445	230	149	66	59	221	136	63	3147	3867
61-68	505	260	169	75	67	250	154	71	3977	4886
69-75	542	280	182	80	72	269	165	77	4767	5875
76-80	594	306	199	88	78	294	181	84	5367	6594
81-86	638	329	214	95	84	316	194	90	6123	7523
87-93	690	356	232	102	91	342	210	98	7052	9002
94-102	757	391	254	112	100	375	231	107	8316	10217
108-115	846	437	284	125	112	420	258	120	10264	12610
122-130	965	498	324	143	127	478	294	137	12663	15559



Type Approval by:

DNV-GL for 31 -130 mm

Application:

Temporary, Mobile and Long Term Mooring

Manufactured & Tested:

in Germany by Feubo

Material:

Cast Steel –Grade R3, R4

Features:

installation on all vessels classed by DNV GL

Sockets

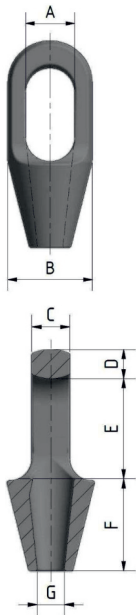


Closed Spelter Socket

Type Approved by ABS

For use on an ABS classed vessel, MODU or facility

As defined in 2009 ABS guide for Certification of Offshore Mooring Chain (updated 10 February 2014)



Rope	A	B	C	D	E	F	G	R3 MBL kN	R4 MBL kN
6-7	20	37	13	11	46	51	8	47	58
8-10	24	43	16	14	52	51	11	96	118
11-13	29	51	22	18	59	64	14	162	199
14-16	35	67	25	20	65	77	18	244	300
18-19	42	75	31	26	75	90	21	342	420
20-22	47	92	38	33	90	101	24	456	560
23-26	57	104	44	36	103	114	28	632	776
27-30	63	114	51	39	116	127	32	835	1026
31-36	70	127	57	43	130	139	38	1188	1460
37-39	79	136	63	51	155	152	41	1387	1704
40-42	82	146	70	54	171	165	44	1599	1964
43-48	89	171	76	55	198	190	51	2063	2535
49-54	96	193	82	62	224	216	57	2580	3170
55-60	108	216	92	73	247	228	63	3147	3867
61-68	140	241	102	79	270	248	73	3976	4885
69-75	159	273	124	76	286	279	79	4767	5857
76-80	171	292	133	83	298	305	86	5366	6594
81-86	184	311	146	102	311	330	92	6122	7522
87-93	197	330	159	102	330	356	99	7051	8664
94-102	216	362	178	108	356	381	108	8315	10217
108-115	235	405	190	120	425	450	125	10263	12610
122-130	260	515	205	120	475	500	138	12663	15559
140-155	300	550	225	150	550	580	160	16930	20802
158-167	325	600	300	175	600	675	175	19056	23414



Type Approval by:

Application:

Manufactured & Tested:

Material:

ABS for 49–54 mm, other sizes upon request

Temporary and Mobile Mooring

in Germany by Feubo

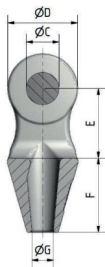
Cast Steel –Grade R3

Sockets



Open SpelterSocket

Offshore accessory to be used for Temporary, Mobile and Long Term Mooring



Rope	A	B	C	D	E	F	G	R3 MBL kN	R4 MBL kN
6-7	17	33	18	34	40	52	8	47	58
8-10	20	36	21	40	45	58	11	96	118
11-13	25	41	26	49	51	64	14	162	199
14-16	32	48	30	62	64	76	18	244	300
18-19	38	54	35	80	76	89	21	342	420
20-22	44	60	41	90	89	101	24	456	560
23-26	51	67	51	120	101	114	28	632	776
27-30	57	73	57	130	114	127	32	835	1026
31-36	63	79	63	144	127	139	38	1188	1460
37-39	76	92	70	160	162	152	41	1387	1704
40-42	76	92	76	176	165	165	44	1599	1964
43-48	89	105	89	200	178	190	51	2063	2535
49-54	101	117	95	216	228	216	57	2580	3170
55-60	113	129	108	236	250	228	63	3147	3867
61-68	127	143	121	264	273	248	73	3976	4885
69-75	133	149	127	276	279	279	79	4767	5857
76-80	146	162	133	284	286	305	86	5366	6594
81-86	159	175	140	296	298	330	92	6122	7522
87-93	171	187	152	340	318	356	99	7051	8664
94-102	191	207	178	362	343	381	108	8315	10217
108-115	208	224	190	440	480	460	125	10263	12610
122-130	210	226	250	560	500	500	138	12663	15559
140-155	230	246	275	600	500	580	160	16930	20802
158-167	310	326	290	650	600	675	175	19056	23414

Application:

Manufactured & Tested:

Material:

Features:

Temporary, Mobile and Long Term Mooring

in Germany by Feubo

Cast or forged steel, R3, R4

depending on customer specification

Sockets



RAM Socket

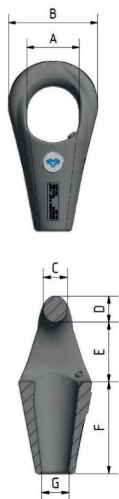
Type Approved by DNVGL

Offshore accessory to be used for Temporary and Mobile Mooring as defined in DNVGL-OS-E301, Position Mooring

Type Approved by ABS

For use on an ABS classed vessel, MODU or facility

as defined in 2009 ABS guide for Certification of Offshore Mooring Chain (updated 10 February 2014)



Rope	A	B	C	D	E	F	G	R3 MBL kN	R4 MBL kN
37-42	95	160	40	45	102	156	45	1599	1964
43-48	109	183	46	51	117	178	51	2063	2535
49-54	122	206	51	58	131	201	58	2580	3170
55-60	136	229	57	64	146	223	64	3147	3867
61-68	154	259	65	73	165	253	73	3976	4885
69-75	170	286	71	80	182	279	80	4767	5857
76-80	181	305	76	86	194	297	86	5366	6594
81-86	195	328	82	92	209	319	92	6122	7522
87-93	210	354	89	100	226	345	100	7051	8664
94-102	231	389	97	109	248	379	109	8315	10217
108-115	260	438	110	123	279	427	123	10263	12610
122-130	294	495	124	139	316	483	139	12663	15559
132-140	317	533	133	150	340	520	150	14336	17615



Type Approval by:

DNV-GL, ABS for 31 –130 mm

Application:

Temporary and Mobile Mooring

Manufactured & Tested:

in Germany by Feubo

Material:

Cast Steel –Grade R3, R4

Sockets



T-Rex Socket

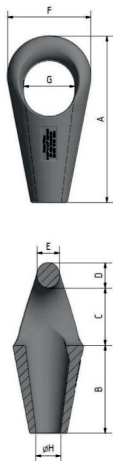
Type Approved by DNVGL

Offshore accessory to be used for Temporary, Mobile and Long Term Mooring as defined in DNVGLS-E301, Position Mooring

Type Approved by ABS

For use on an ABS classed vessel, MODU or facility

as defined in 2009 ABS guide for Certification of Offshore Mooring Chain (updated 10 February 2014)



Rope	A	B	C	D	E	F	G	H	R3 MBL kN	R4 MBL kN
31-36	267	138	90	40	35	132	81	38	1189	1416
37-42	312	161	105	46	41	155	95	44	1599	1965
43-48	356	184	120	53	47	177	108	50	2064	2536
49-54	401	207	134	59	53	199	122	57	2581	3171
55-60	445	230	149	66	59	221	136	63	3147	3867
61-68	505	260	169	75	67	250	154	71	3977	4886
69-75	542	280	182	80	72	269	165	77	4767	5875
76-80	594	306	199	88	78	294	181	84	5367	6594
81-86	638	329	214	95	84	316	194	90	6123	7523
87-93	690	356	232	102	91	342	210	98	7052	9002
94-102	757	391	254	112	100	375	231	107	8316	10217
108-115	846	437	284	125	112	420	258	120	10264	12610
122-130	965	498	324	143	127	478	294	137	12663	15559



Type Approval by:

DNV-GL, ABS for 31 - 130 mm

Application:

Temporary, Mobile and Long Term Mooring

Manufactured & Tested:

in Germany by Feubo

Material:

Cast Steel – Grade R3, R4

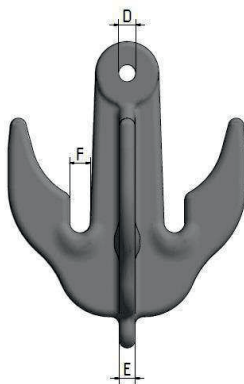
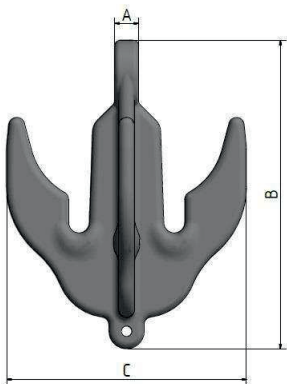
Features:

installation on all vessels classed by DNV GL, MODU classed by ABS

Chasing Equipment



Grappel



SWL	A	B	C	D	E	F
250 to	135	1770	1371	99	90	120
125 to	117	1600	1371	86	75	100

A, D: customized for 85 to, 120 to, 130 to for lifting shackle

Application: chain/wire recovery tool

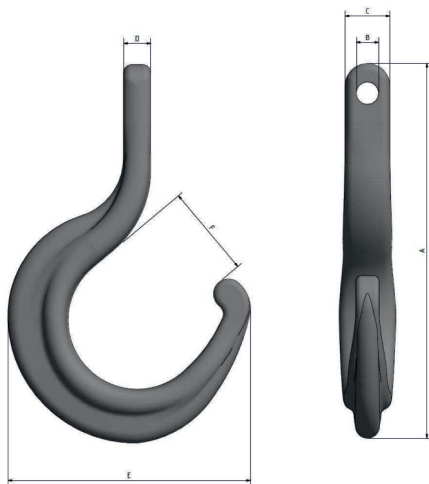
Manufactured & Tested: in Germany by Feubo

Material: Cast Steel

Chasing Equipment



J-Chaser



SWL	A	B	C	D	E	F
150 to	1944	110	280	130	1140	550
250 to	2525	150	300	180	1609	616

Application: chain/wire recovery tool

Manufactured & Tested: inGermanyby Feubo

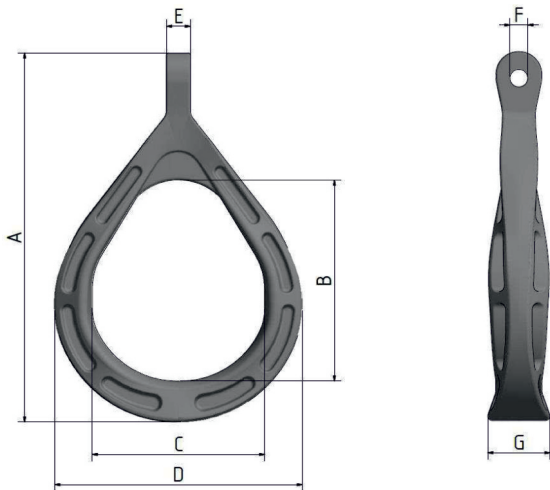
Material: Cast Steel

FOS 2:1; alternative 4:1

Chasing Equipment



Permanent Chaser



SWL	A	B	C	D	E	F	G	PL to
150 to	1800	980	840	1207	116	86	300	250
250 to	2280	1240	960	1360	132	99	350	400

E, F: customized for 85 to, 120 to, 150 to lifting shackle

Application: chain/wire recovery tool

Manufactured & Tested: in Germany by Feubo

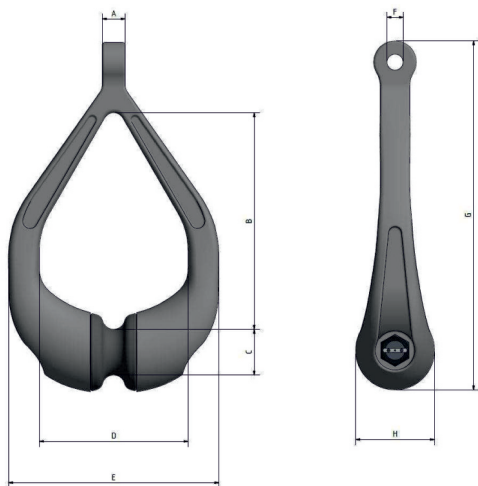
Material: Cast Steel

FOS 2:1; alternative 4:1

Chasing Equipment



Roller Chaser



SWL	A	B	C	D	E	F	G	H
130 to	140	1328	280	910	1287	99	2140	482

Application: wire recovery tool

Manufactured & Tested: in Germany by Feubo

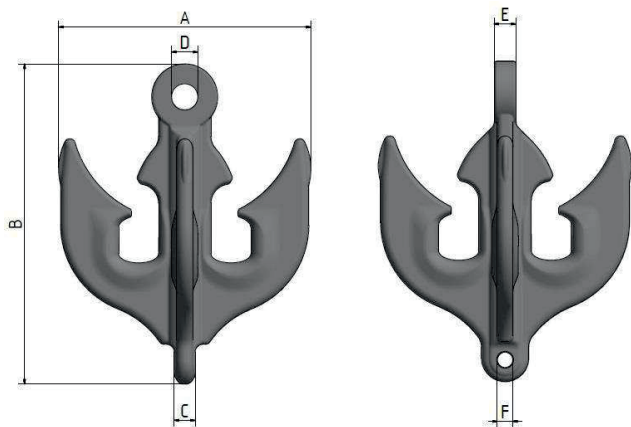
Material: Cast Steel

FOS 2:1; alternative 4:1

Chasing Equipment



Labyrinth Wire Rope Grapnel



SWL	A	B	C	D	E	F	PL to
250 to	1394	1770	115	145	120	85	375

Application: chain/wire recovery tool

Manufactured & Tested: in Germany by Feubo

Material: Cast Steel

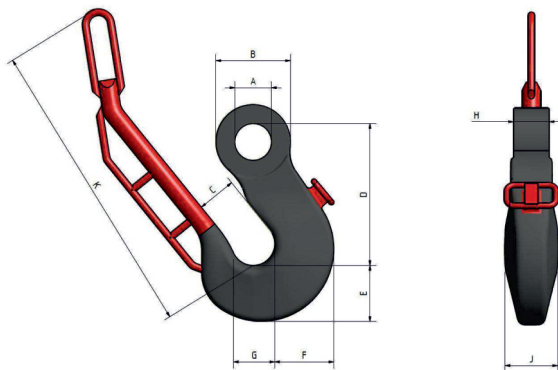
Hooks



KS Hook

Type approved by DNV-GL, ABS, Bureau Veritas

Offshore accessory to be used for Temporary, Mobile and Long Term Mooring



Hook No.	A	B	C	D	E	F	G	H	J	K	PL kN	MBL kN
40	135	334	162	646	225	250	200	130	200	1415	7095	9001
50	170	345	180	655	256	272	200	163	245	1410	10700	13573



Type approved by: DNV-GL, ABS (PDA), Bureau Veritas

Application: Temporary, Mobile and Long Term Mooring

Manufactured & Tested: in Germany by Feubo

Material: Forged Steel – R4

Features: Shall be fitted between two lengths of chain in a temporary or mobile mooring system, ROV operatable

Notes





The strongest link
in your supply chain. FEUBO.

Notes





The strongest link
in your supply chain. FEUBO.

Notes





The strongest link
in your supply chain. FEUBO.

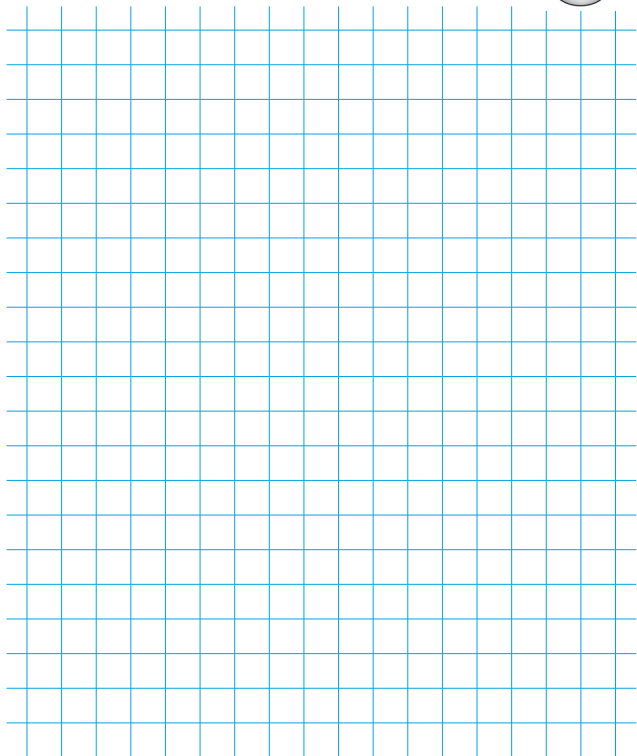
Notes





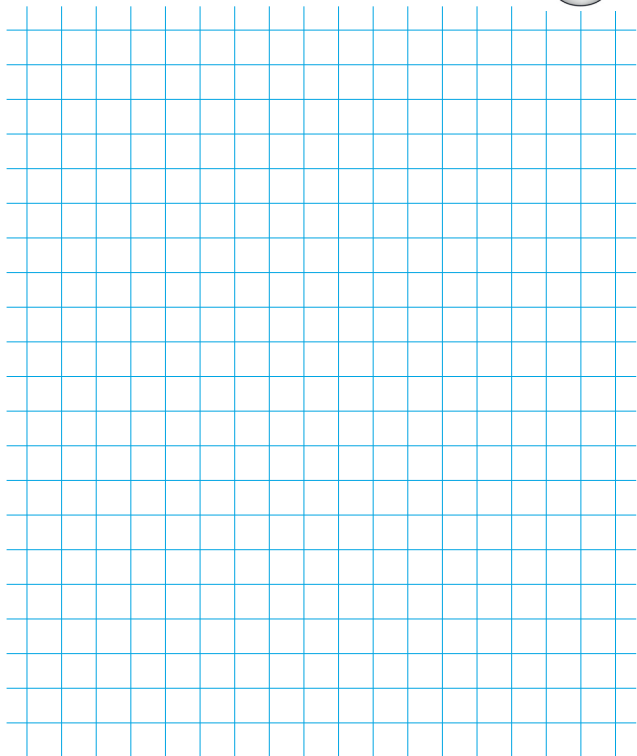
The strongest link
in your supply chain. FEUBO.

Sketches



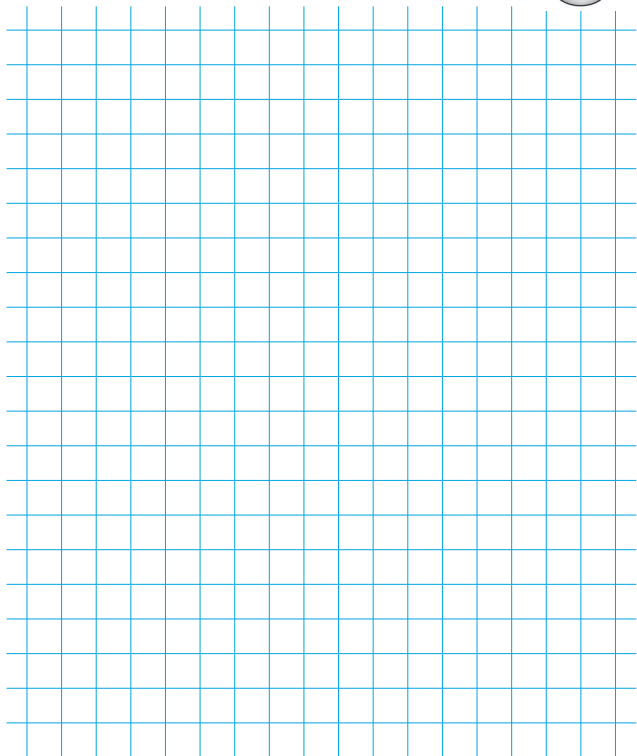
The strongest link
in your supply chain. FEUBO.

Sketches



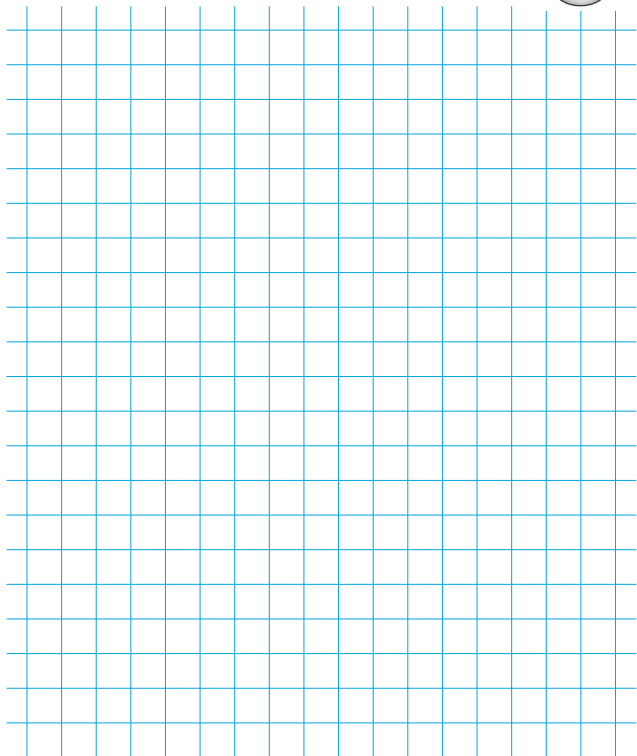
The strongest link
in your supply chain. FEUBO.

Sketches



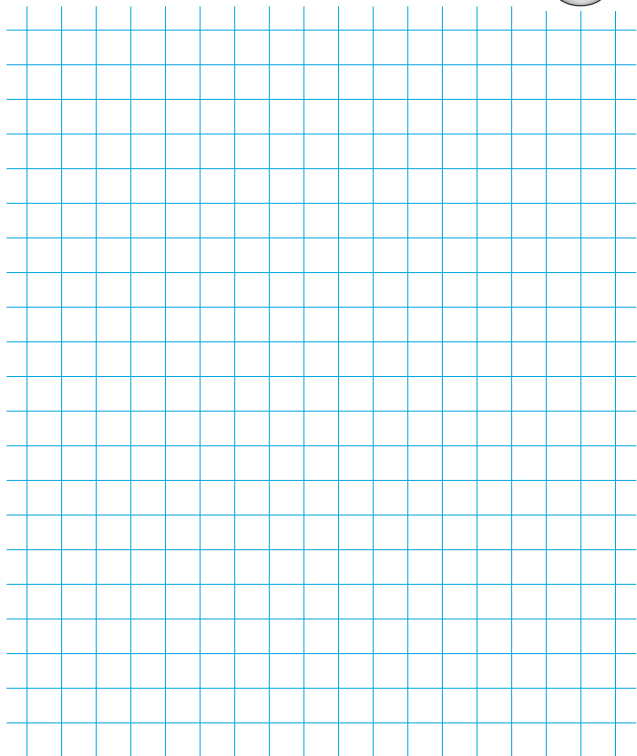
The strongest link
in your supply chain. FEUBO.

Sketches



The strongest link
in your supply chain. FEUBO.

Sketches



The strongest link
in your supply chain. FEUBO.



Made in Germany

Schmiedestück-Vertrieb Feuerstein GmbH

Beuler Höhe 16 - 20

D 45525 Hattingen

Germany

Phone +49 2324 950750

Fax +49 2324 950753

info@feubo.de

www.feubo.com



Request
Quote

Contact:

Khalid Errabih

Business Development Manager

Phone: +31 6 1141 2157

khalid@feubo.de