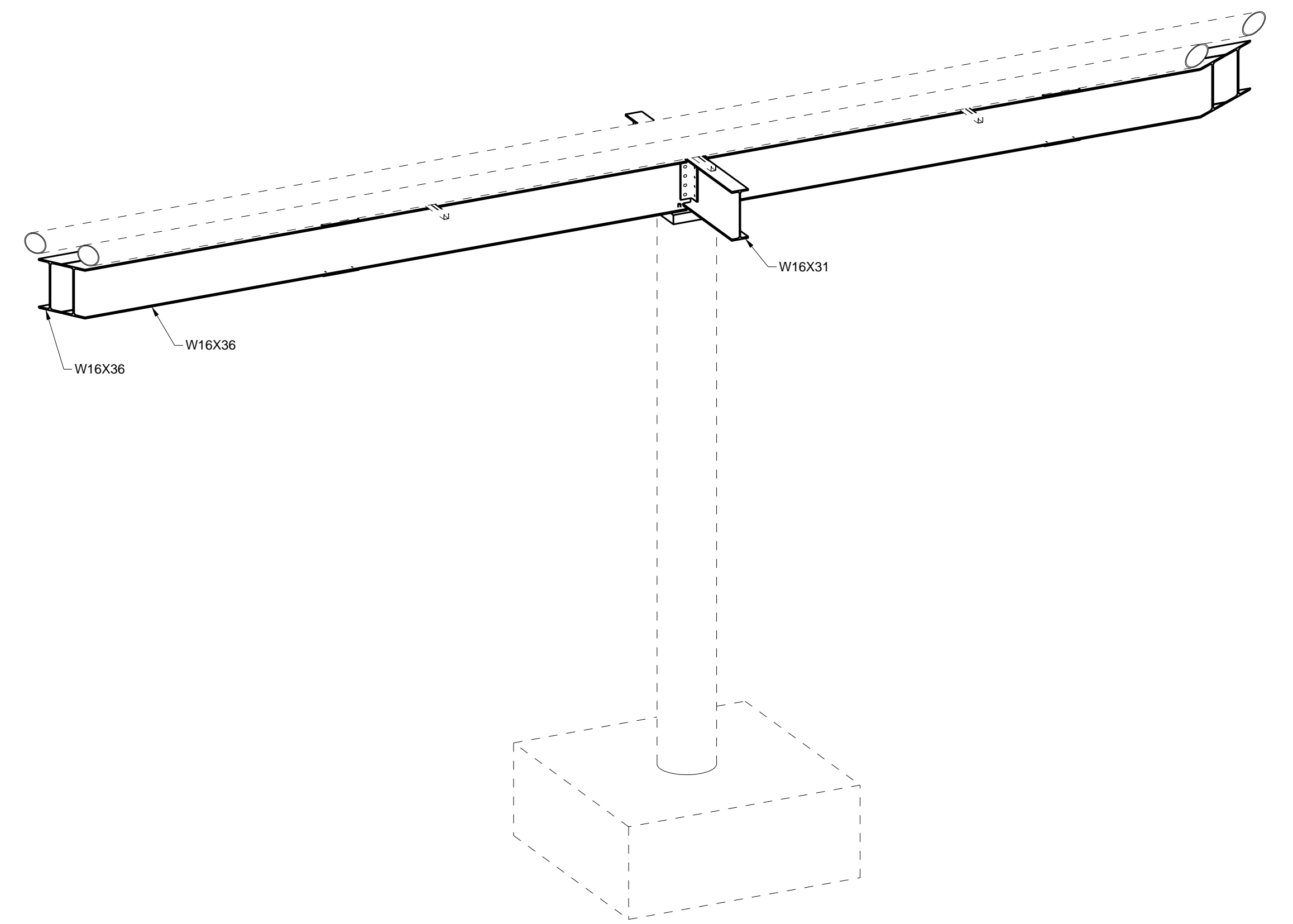
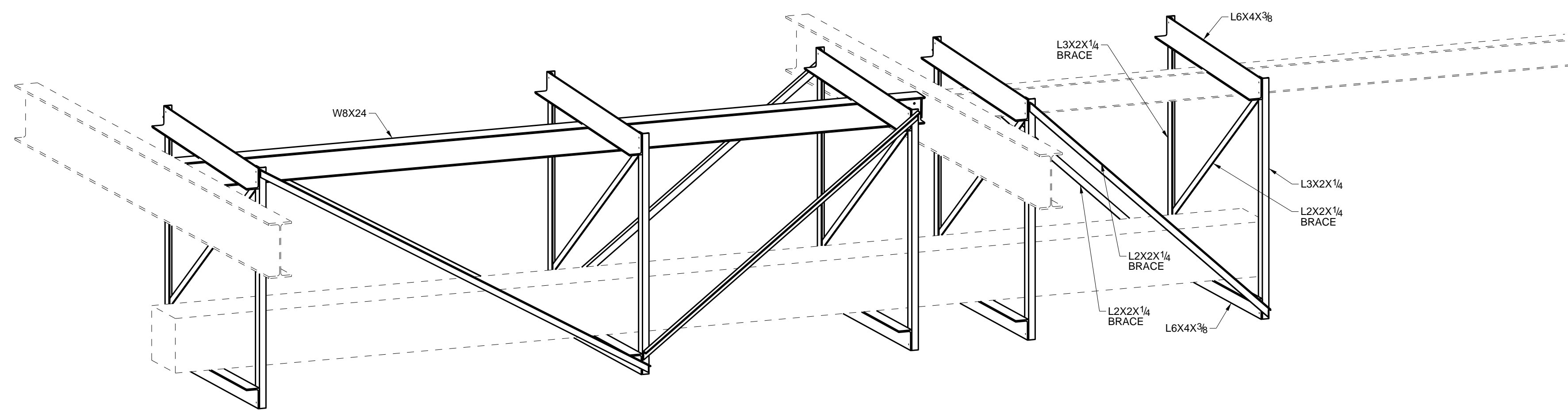


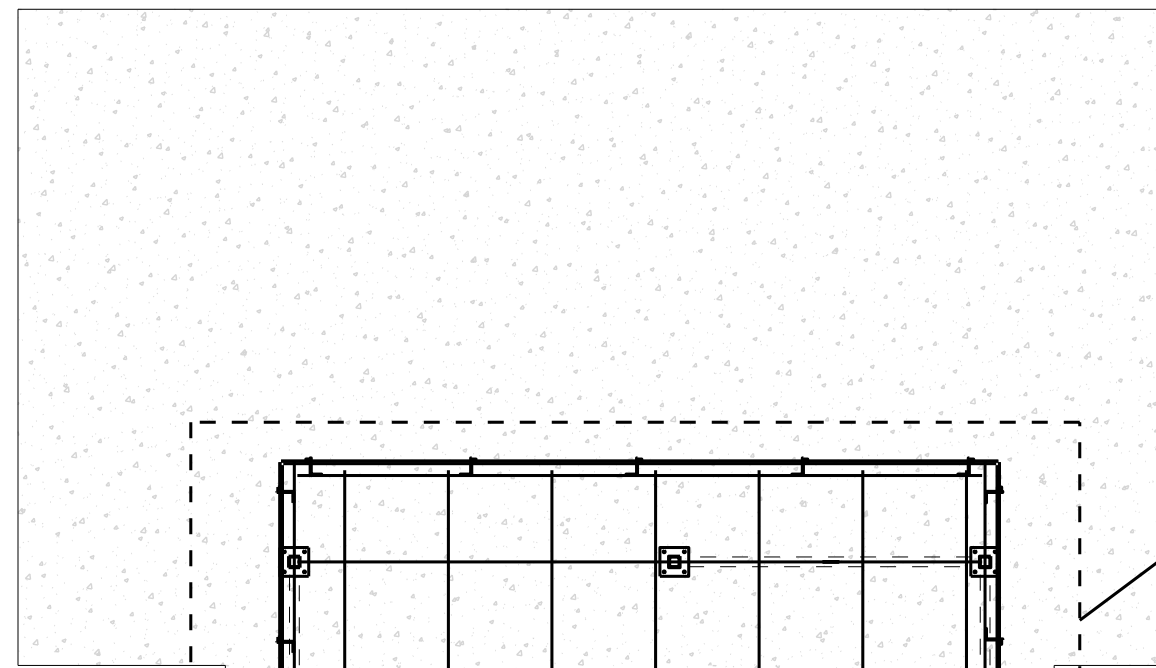
ISOMETRIC VIEW OF SILO PLATFORM
SCALE: NTS



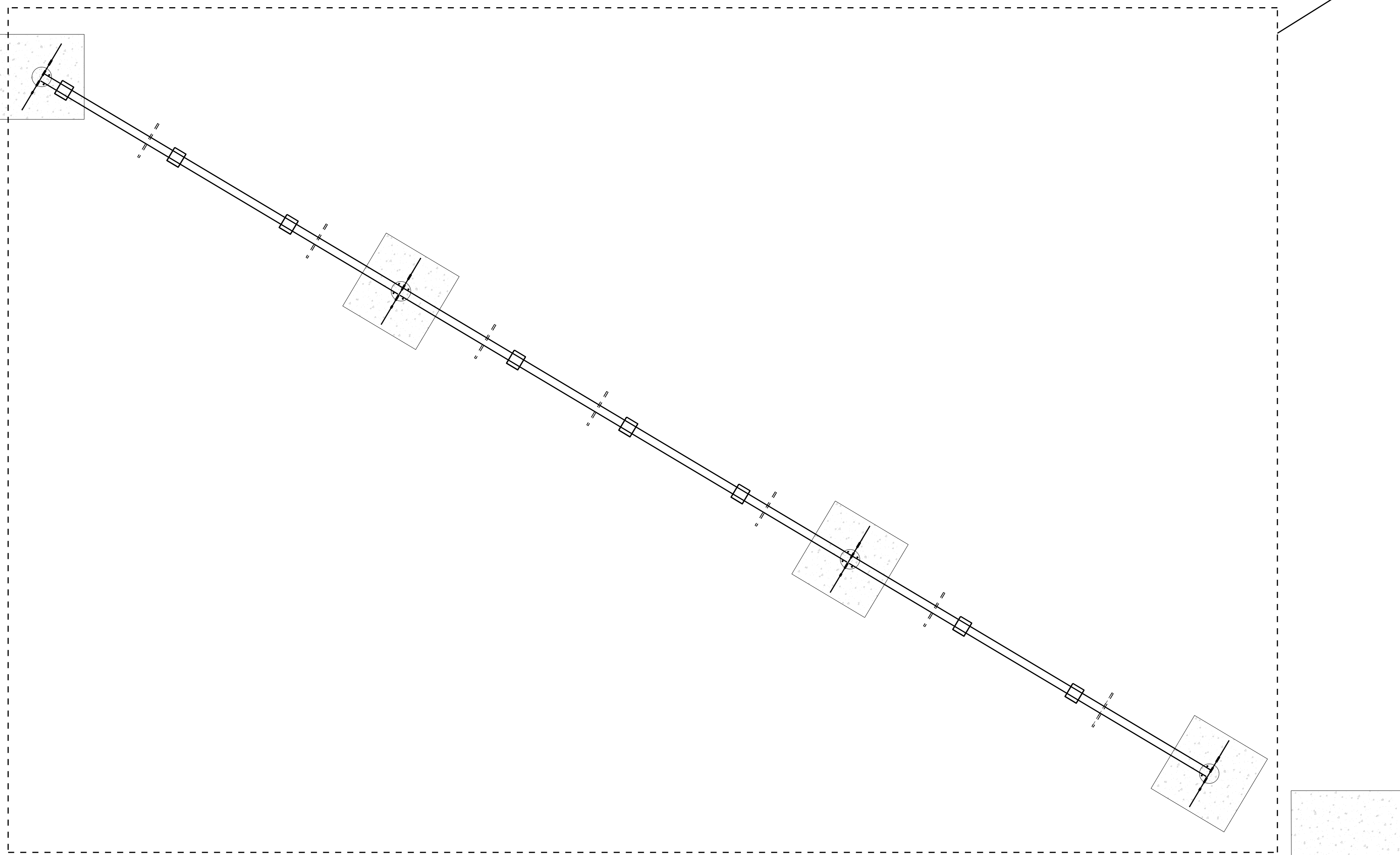
ISOMETRIC VIEW @ CONVEYER
SCALE: NTS



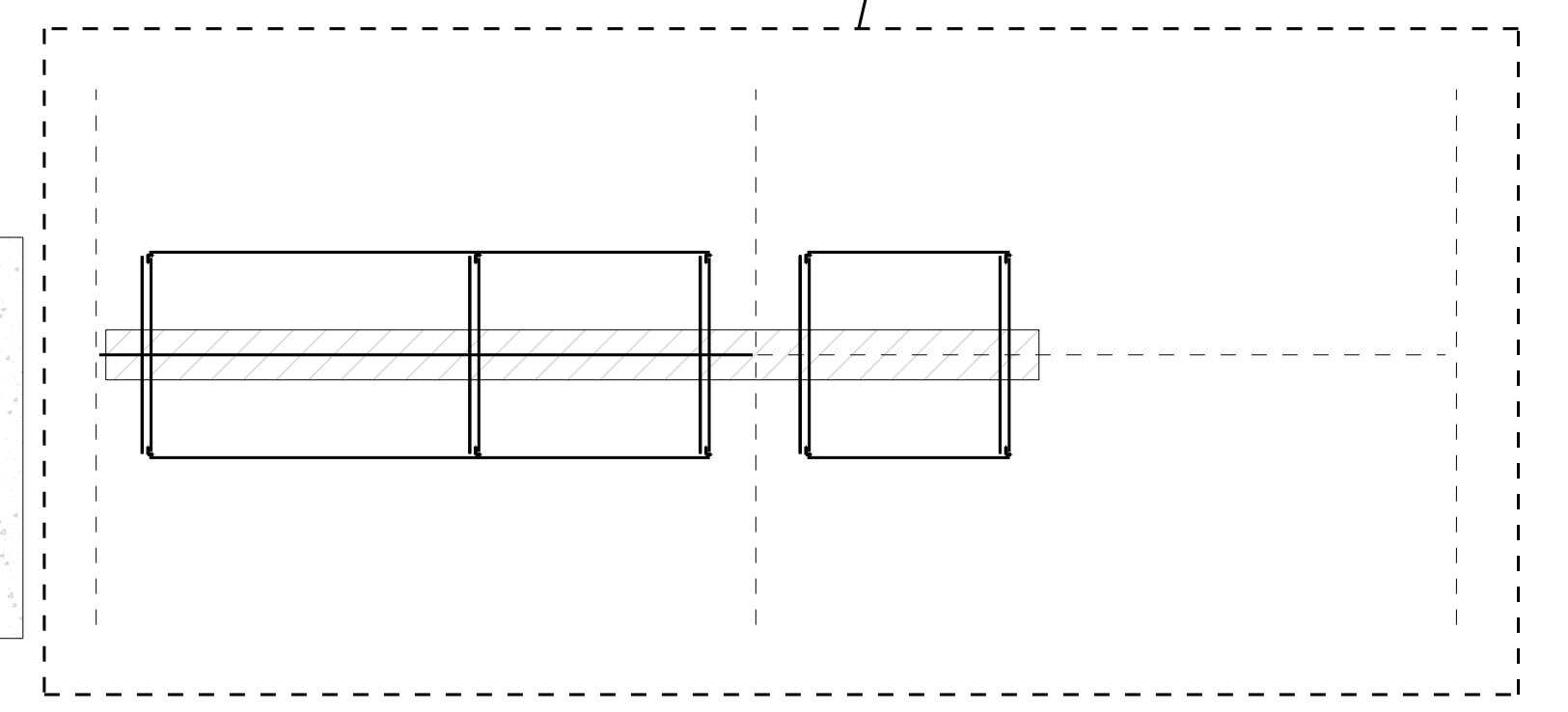
ISOMETRIC VIEW @ CONVEYER
SCALE: NTS



A / E-03

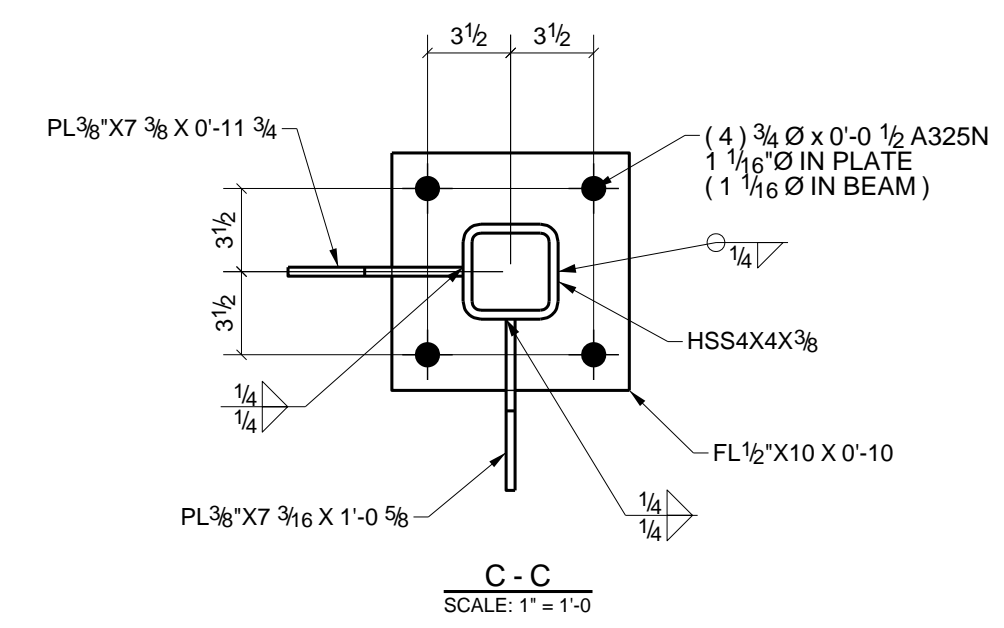
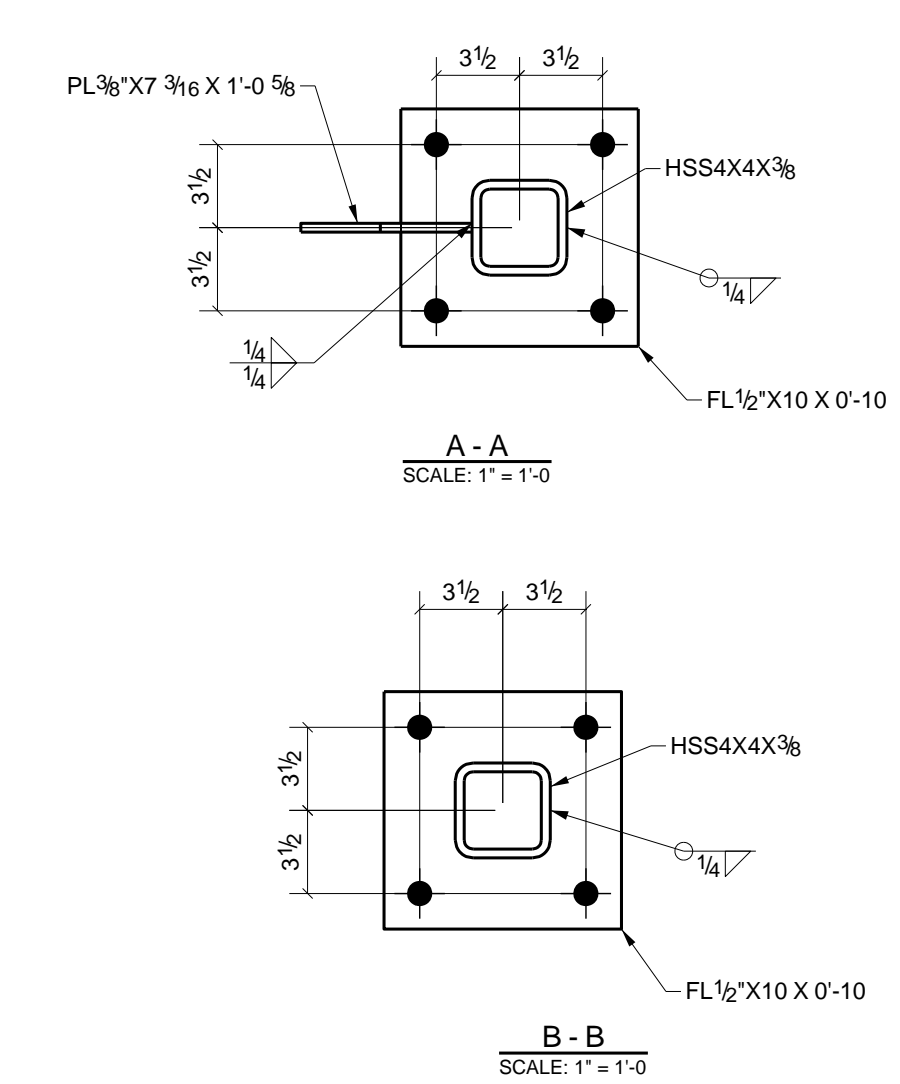
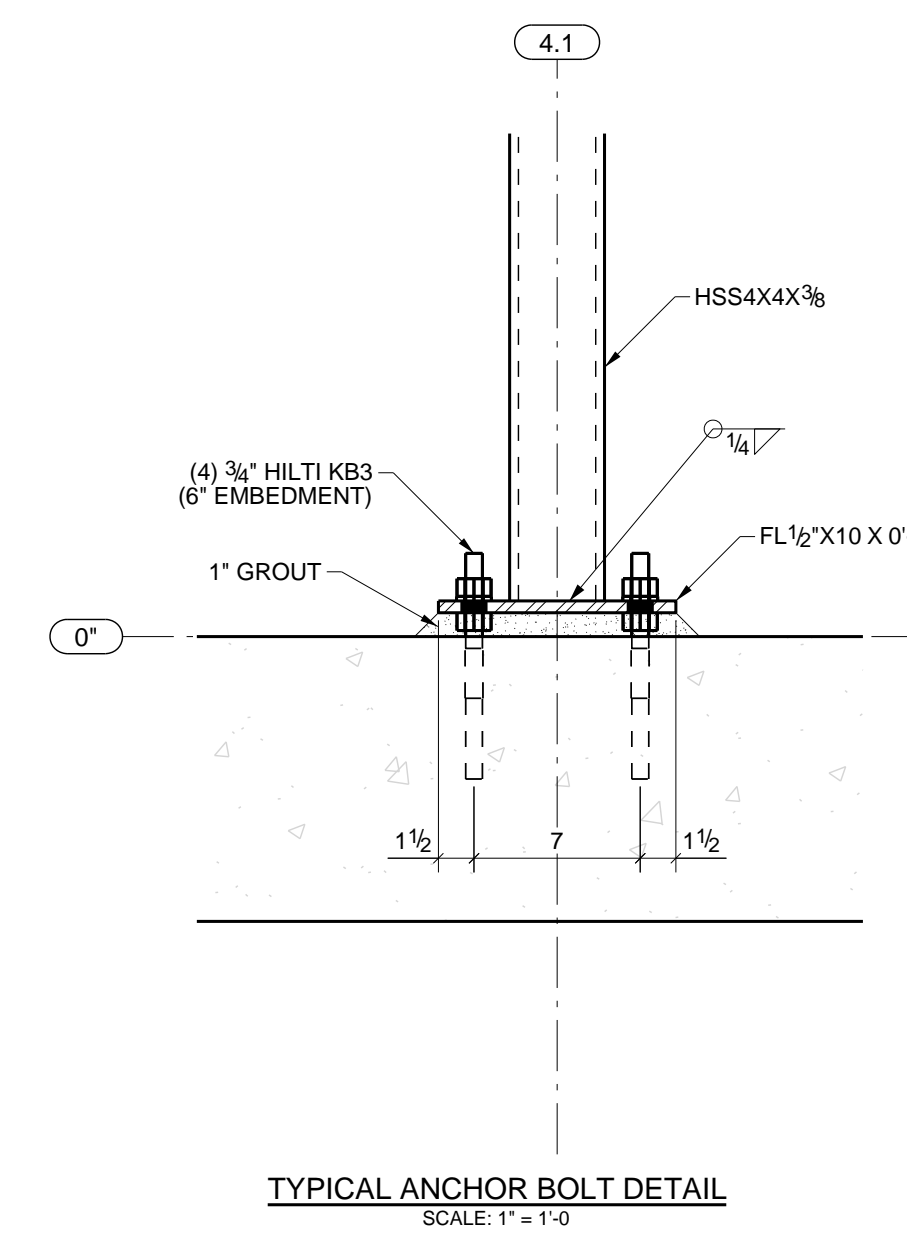
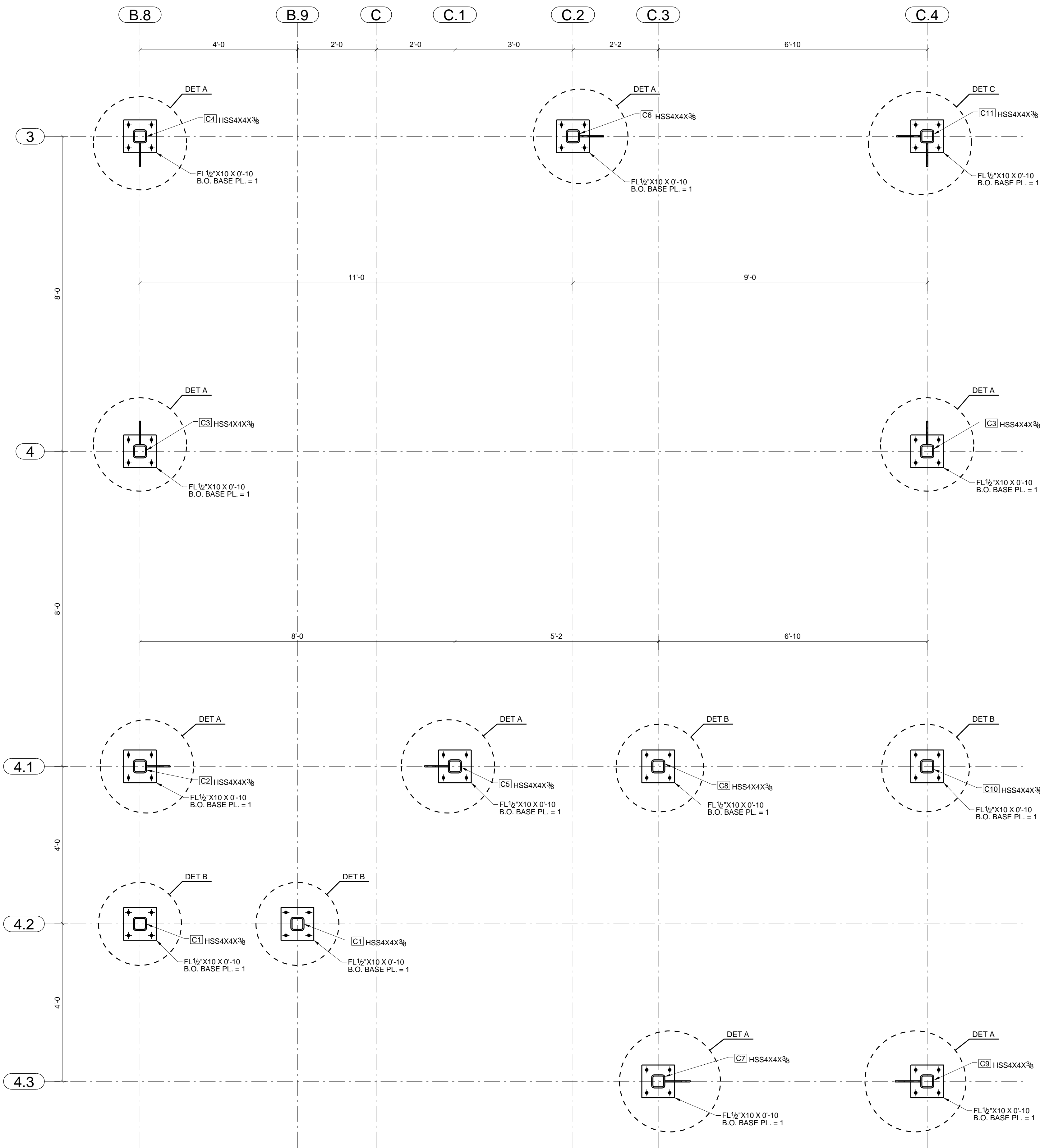


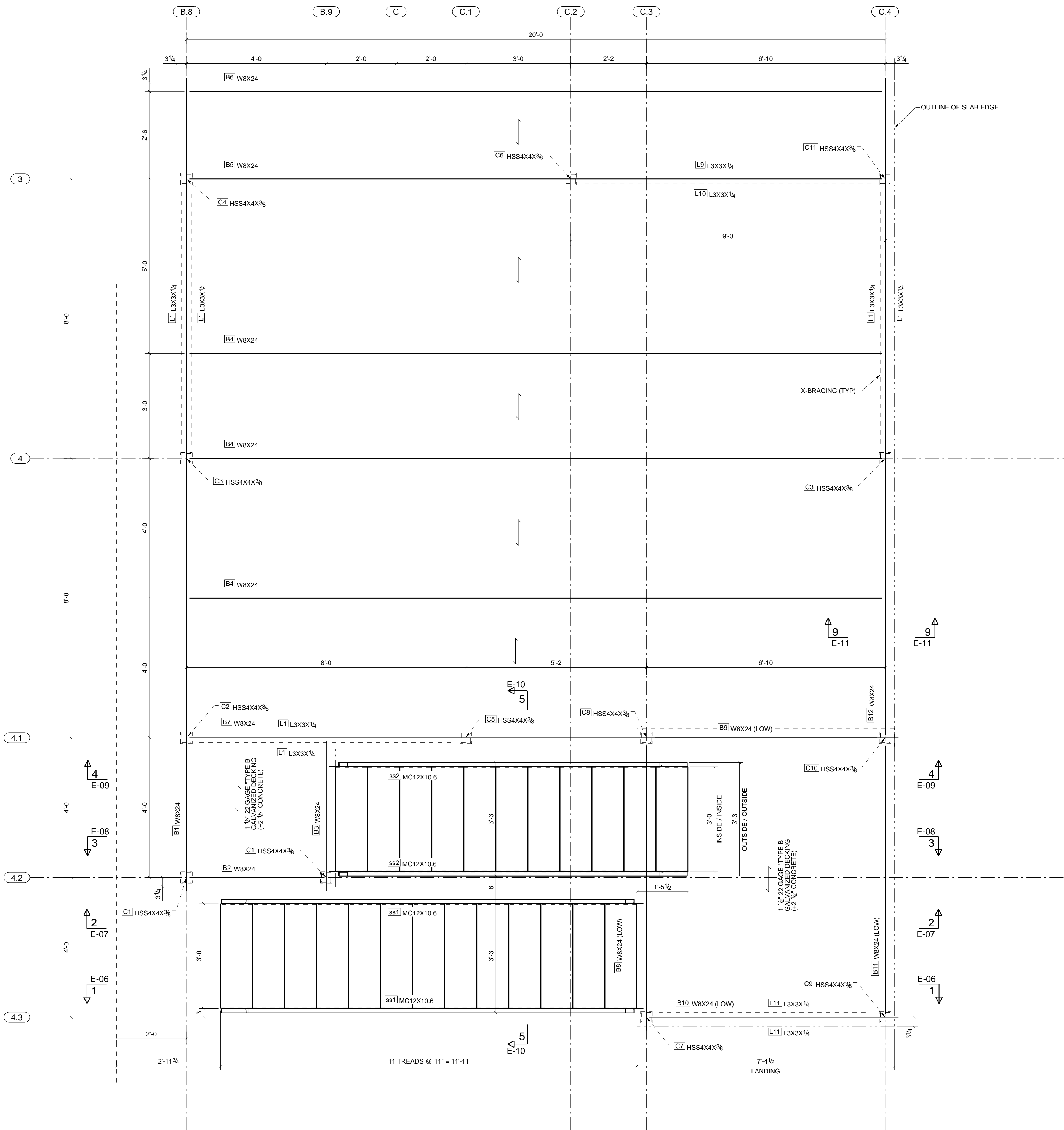
B / E-05



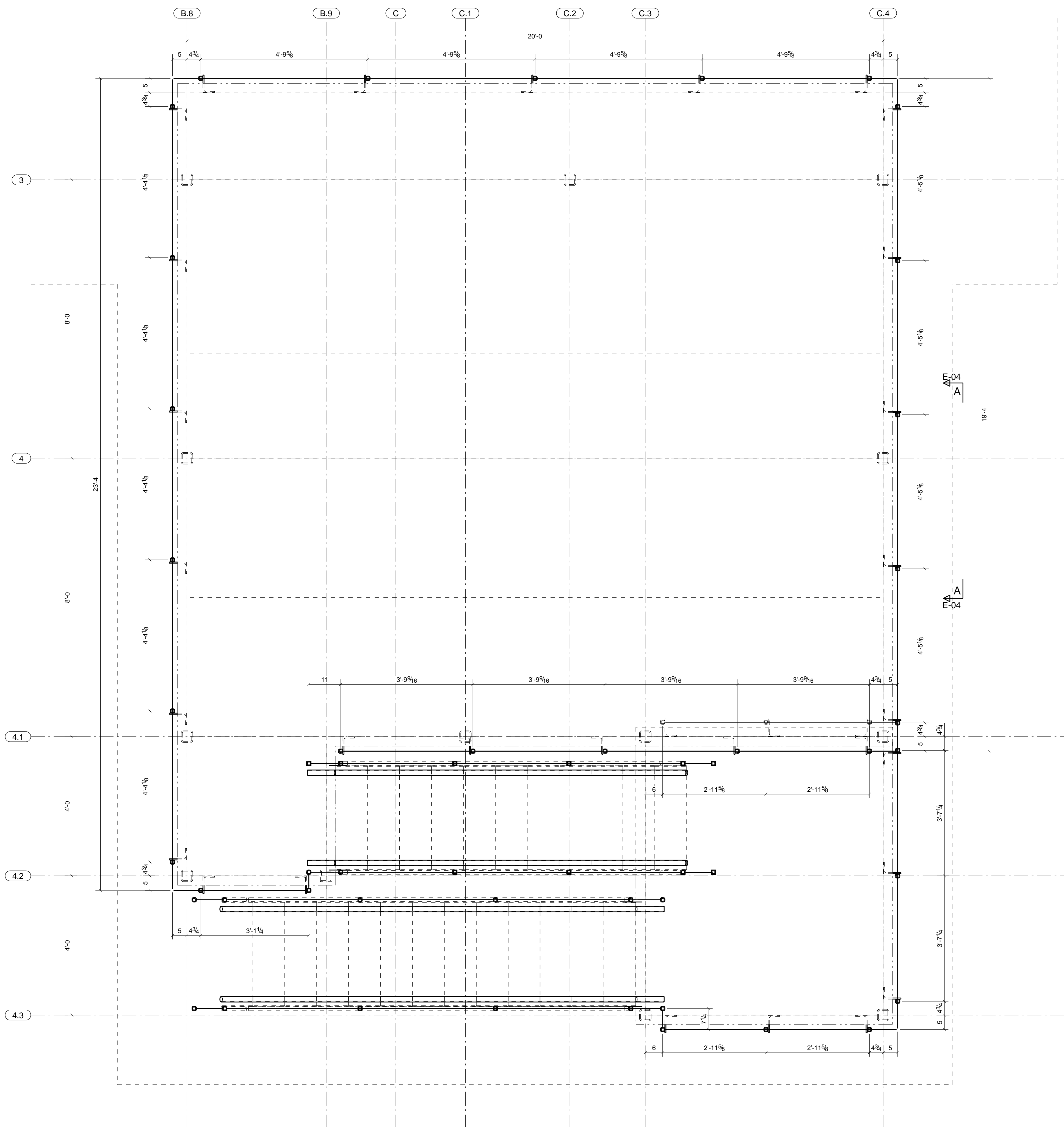
C / E-05

PART OVERALL PLAN
SCALE: 3/16" = 1'-0"

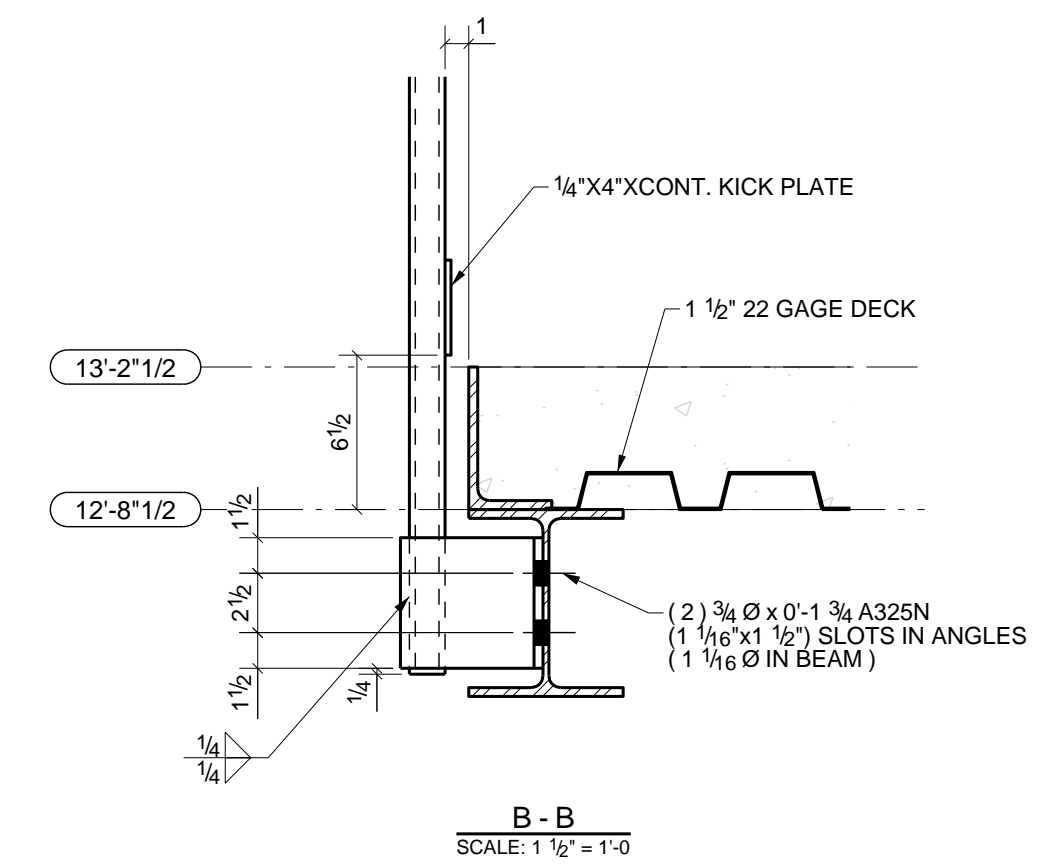
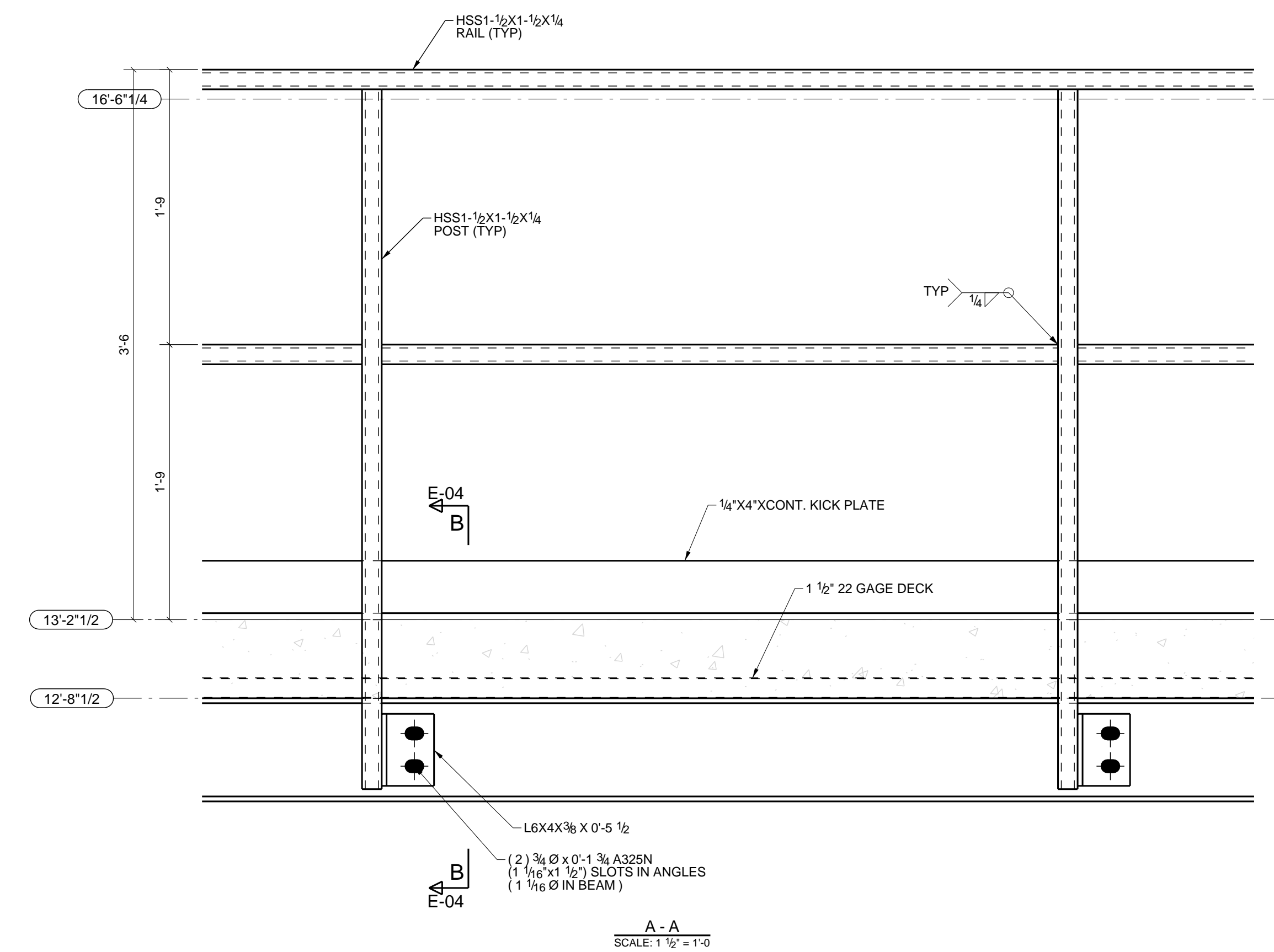


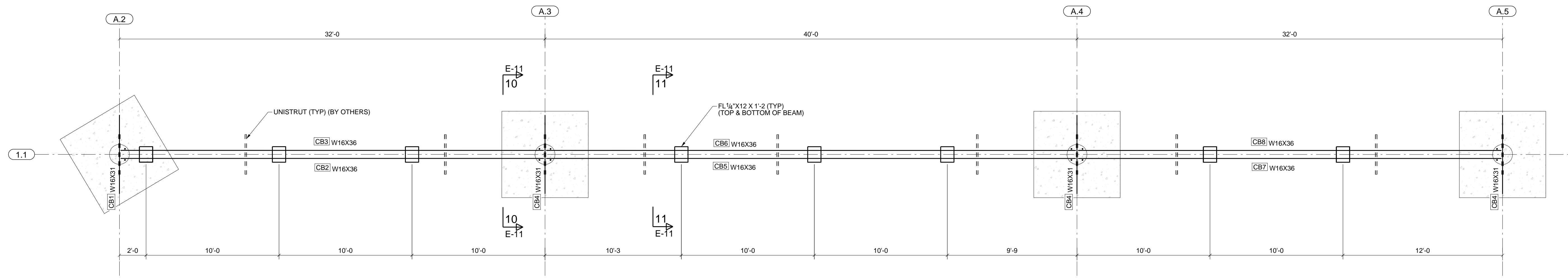


A-A - FRAMING PLAN @ SILO PLATFORM
 SCALE: 3/4" = 1'-0"

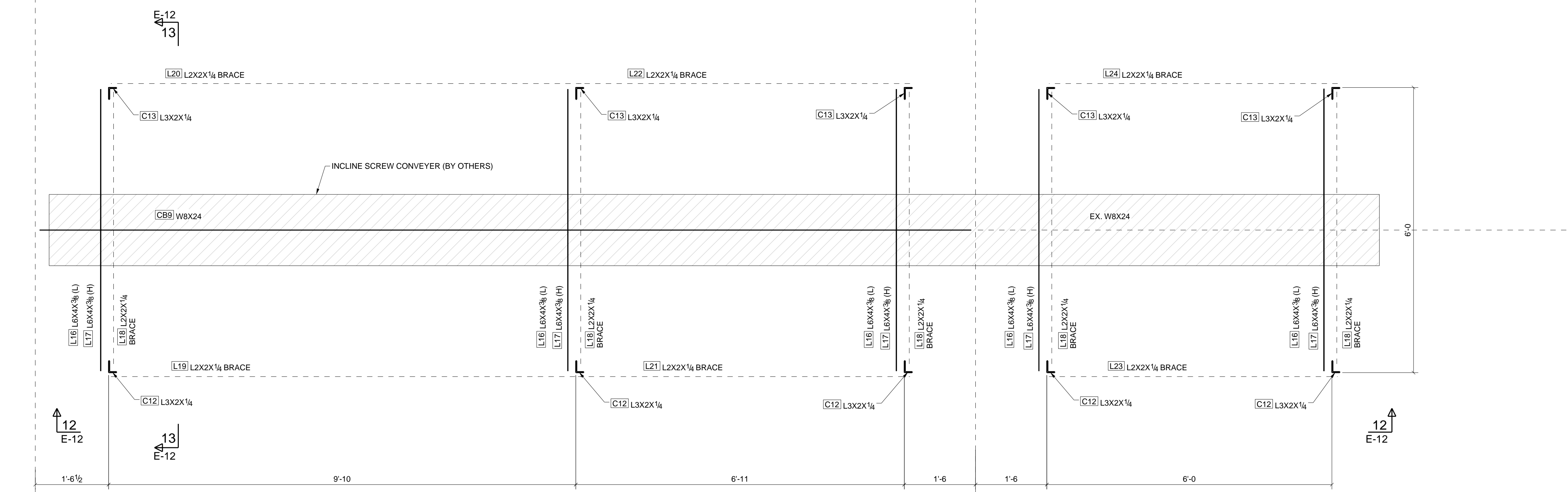


RAILING PLAN @ SILO PLATFORM
SCALE: 3/4" = 1'-0"

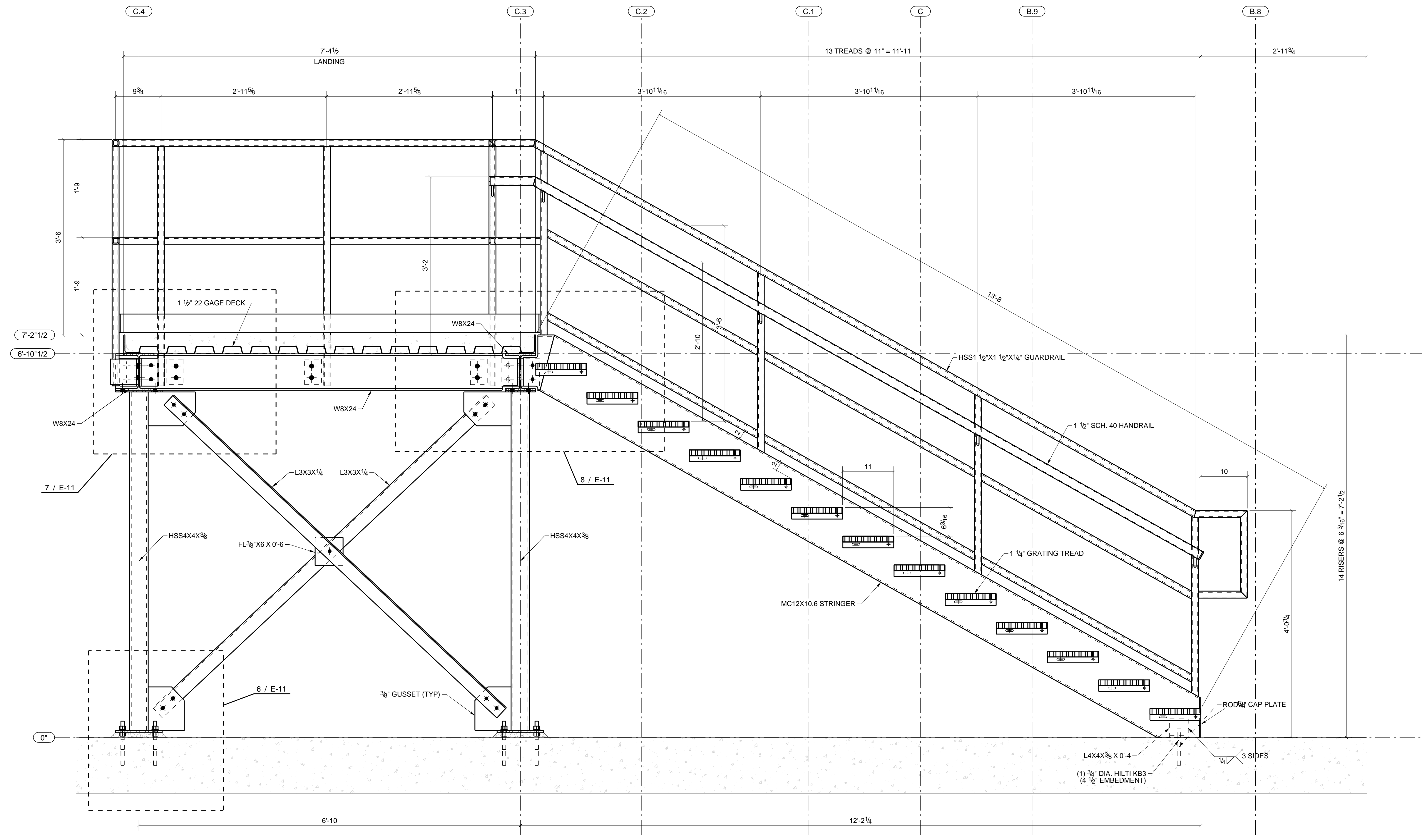




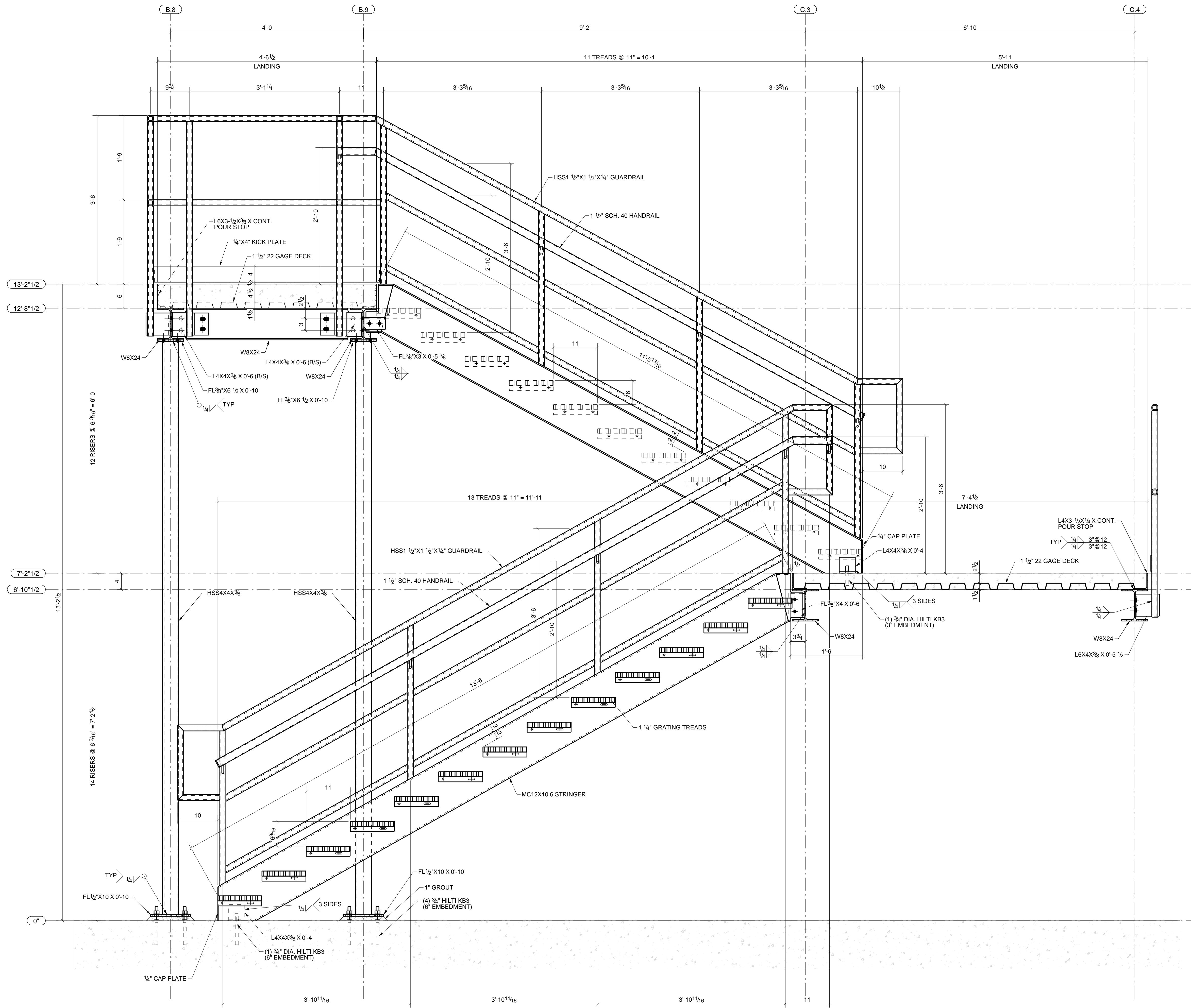
B-B - FRAMING @ CONVEYER
SCALE: 3/4" = 1'-0"



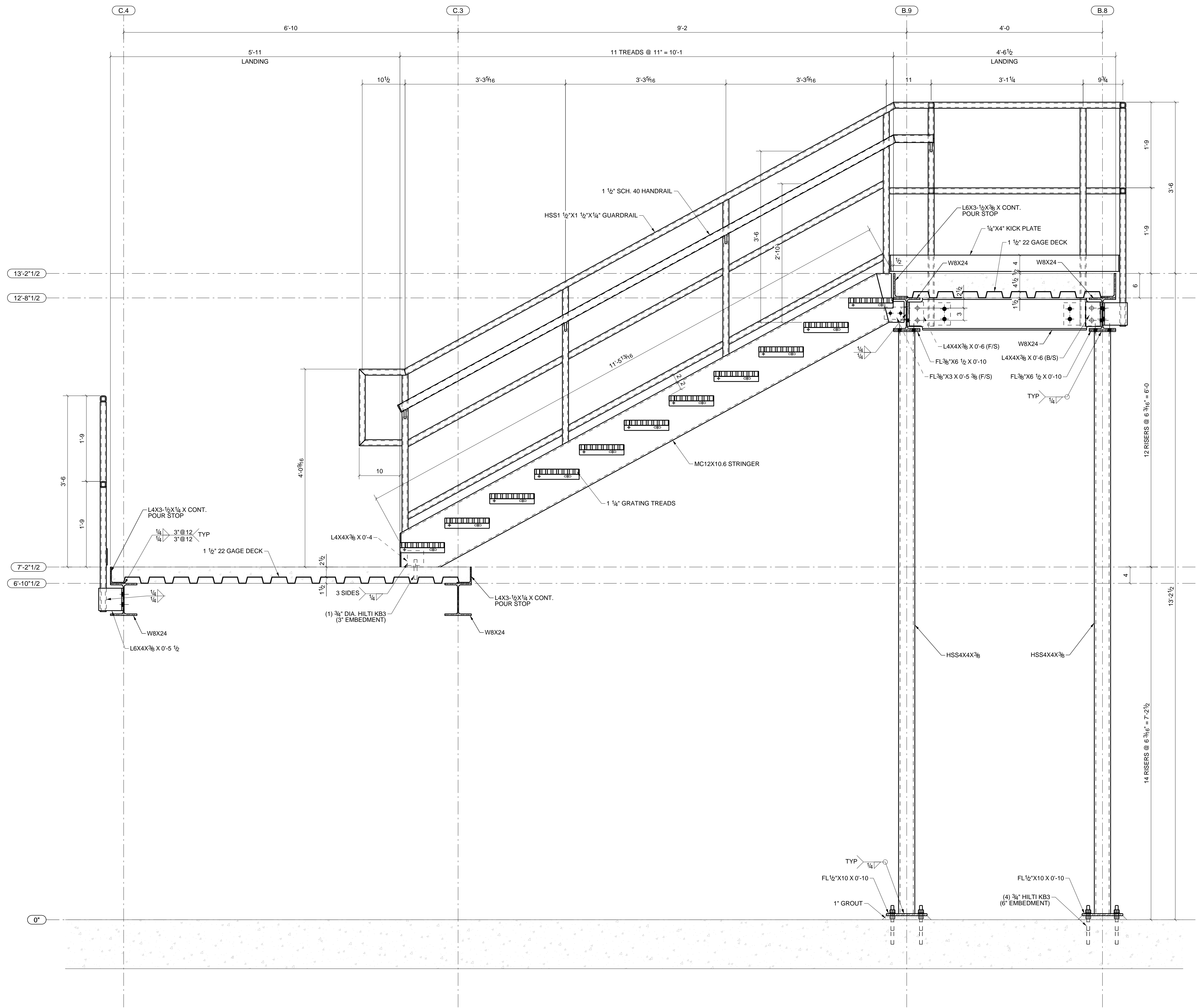
C-C - FRAMING @ CONVEYER
SCALE: 3/4" = 1'-0"



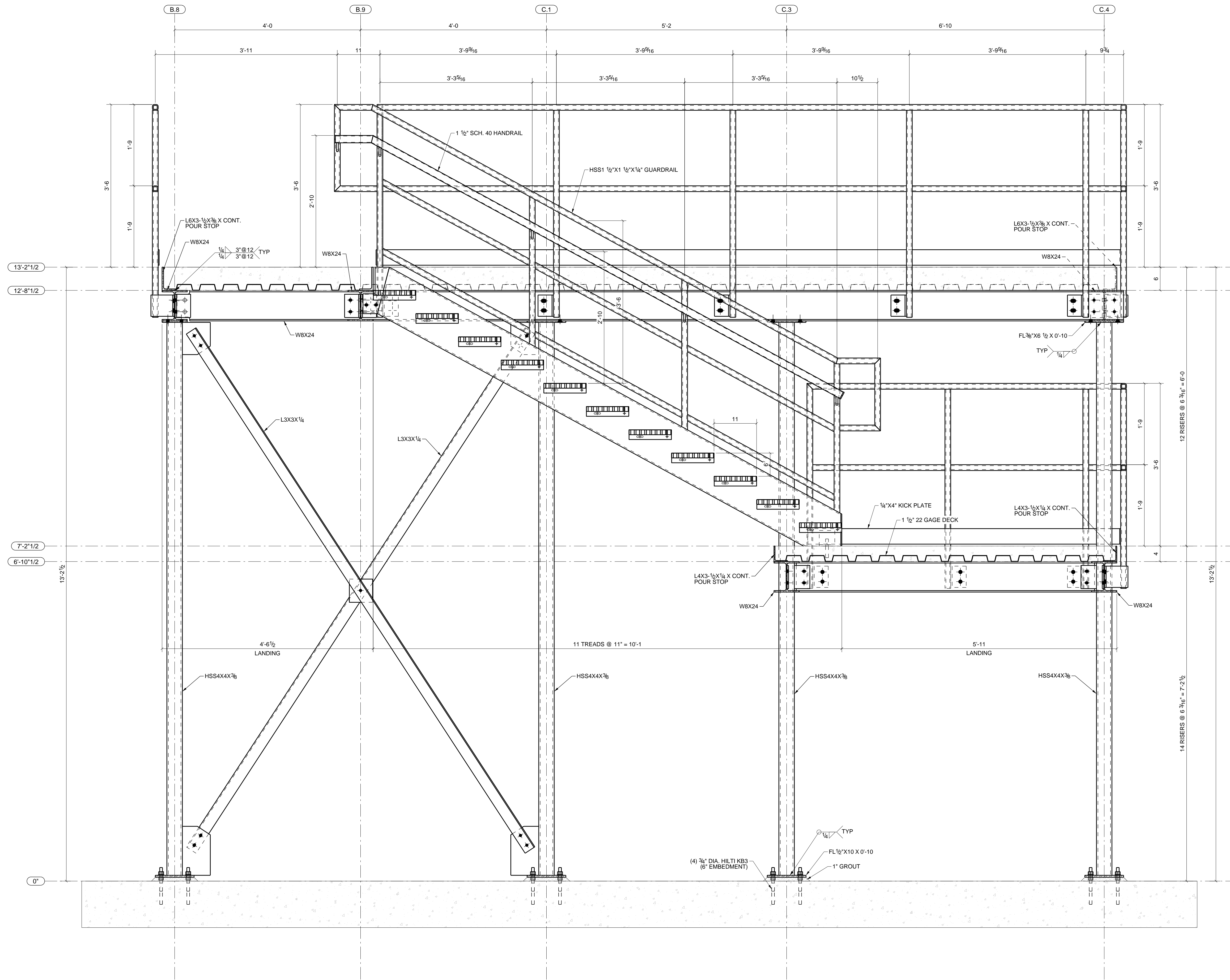
1-1 - STAIR ELEVATION
SCALE: 1" = 1'-0"



2 - 2 - STAIR ELEVATION
SCALE: 1" = 1'-0"



3-3 - STAIR ELEVATION
SCALE: 1" = 1'-0"



4 - 4 - STAIR ELEVATION
SCALE: 1" = 1'-0"

