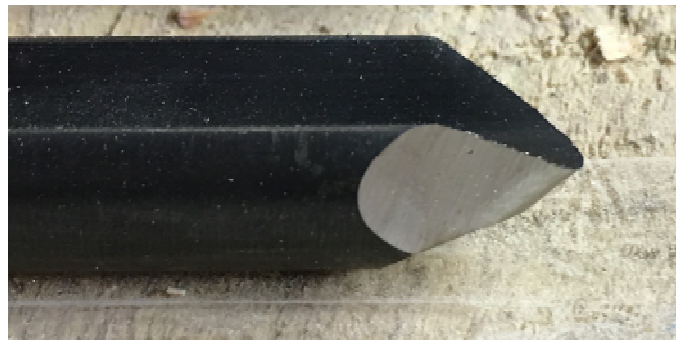
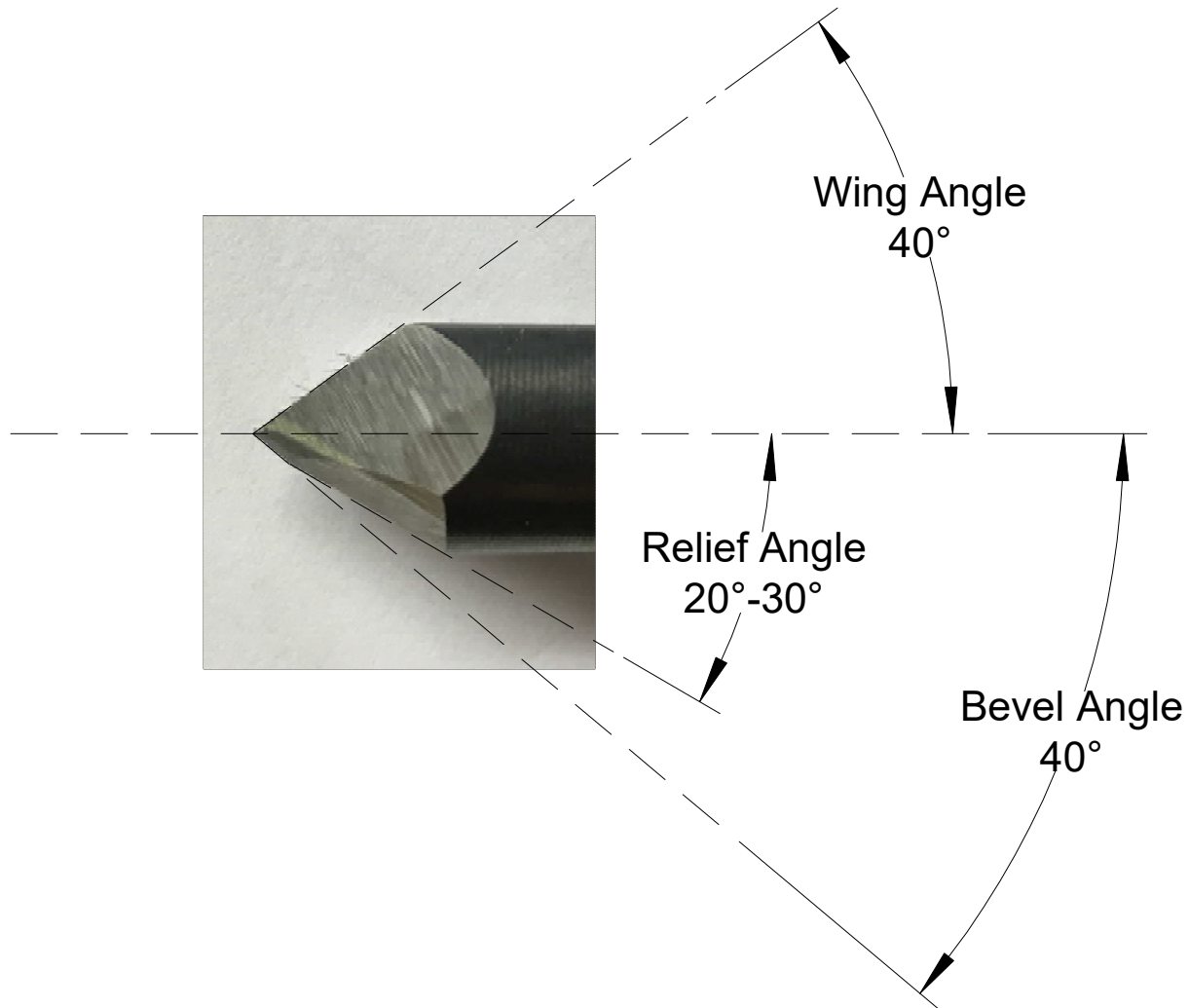


40/40 Grind for 1/2"Ø & 5/8"Ø Thompson V Fluted Bowl Gouge



Notes:

Relief angle only required at tip/nose of the gouge

Wings need to be straight (not concave or convex)