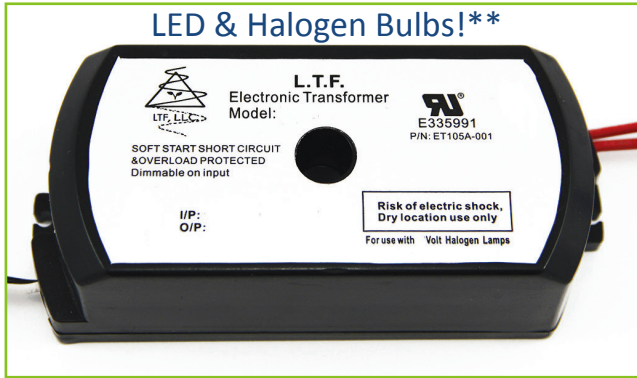




L.T.F. Low Voltage Electronic Power Supply



150W 12V AC/DC TA150WA12, TU150WA12 Series & TA150WD12, TU150WD12 Series



Efficiency	higher than 85%
Power Factor	>98%
Case TC*	90C° Max
Protection	Input/ Output
Storage	-30°C/ +90C°
Humidity	95% RH max
IP Rating	IP 60
Standard Dimming	ELV Dimmable
Special Dimming	0-10V Dimming (D10)



FEATURES

- No load technology, works with both Halogen & LED AC loads **
- Isolated output power per NEC and UL safety requirements
- UL recognized/listed Class 2 power supply, meet UL 2108 requirements
- Auto-reset; Short circuit, Overload and Thermal protection
- Soft start
- Dimmable
- Low profile, small compact design to fit in most enclosures

ELECTRICAL SPECIFICATIONS

120V					
Model #	Input Voltage	Input Current	Output Voltage	Weight	Load Type
TA150WA12	120V AC 50/60Hz	1.25 A	12V AC	240g	Incandescent & Halogen Bulbs
TA150WD12	120V AC 50/60Hz	1.25 A	12V DC	240g	Incandescent & Halogen Bulbs
TA150WA12LED	120V AC 50/60Hz	1.25 A	12V AC	240g	AC LED Bulbs, Incandescent & Halogen Bulbs
TA150WD12LED	120V AC 50/60Hz	1.25 A	12V DC	240g	LED Strips, LED Bulbs, Incandescent & Halogen Bulbs

120V Remote					
Model #	Input Voltage	Input Current	Output Voltage	Weight	Load Type
TA150WA12RE	120V AC 50/60Hz	1.25 A	12V AC	713g	Incandescent & Halogen Bulbs
TA150WA12REO	120V AC 50/60Hz	1.25 A	12V AC	1037g	Incandescent & Halogen Bulbs
TA150WD12RE	120V AC 50/60Hz	1.25 A	12V DC	713g	Incandescent & Halogen Bulbs
TA150WD12REO	120V AC 50/60Hz	1.25 A	12V DC	1037g	Incandescent & Halogen Bulbs
TA150WA12LEDRE	120V AC 50/60Hz	1.25 A	12V AC	713g	AC LED Bulbs, Incandescent & Halogen Bulbs
TA150WA12LEDREO	120V AC 50/60Hz	1.25 A	12V AC	1037g	AC LED Bulbs, Incandescent & Halogen Bulbs
TA150WD12LEDRE	120V AC 50/60Hz	1.25 A	12V DC	713g	LED Strips, LED Bulbs, Incandescent & Halogen Bulbs

* Under confirmed thermal condition



120V Remote					
Model #	Input Voltage	Input Current	Output Voltage	Weight	Load Type
TA150WD12LEDREO	120V AC 50/60Hz	1.25 A	12V DC	1037g	LED Strips, LED Bulbs, Incandescent & Halogen Bulbs
TA150WA12D10RE	120V AC 50/60Hz	1.25 A	12V AC	713g	Incandescent & Halogen Bulbs

220-240V					
Model #	Input Voltage	Input Current	Output Voltage	Weight	Load Type
TU150WA12	220-240V AC 50/60Hz	0.68 A	12V AC	240g	Incandescent & Halogen Bulbs
TU150WD12	220-240V AC 50/60Hz	0.68 A	12V DC	240g	Incandescent & Halogen Bulbs
TU150WA12LED	220-240V AC 50/60Hz	0.68 A	12V AC	240g	AC LED Bulbs, Incandescent & Halogen Bulbs
TU150WD12LED	220-240V AC 50/60Hz	0.68 A	12V DC	240g	LED Strips, LED Bulbs, Incandescent & Halogen Bulbs

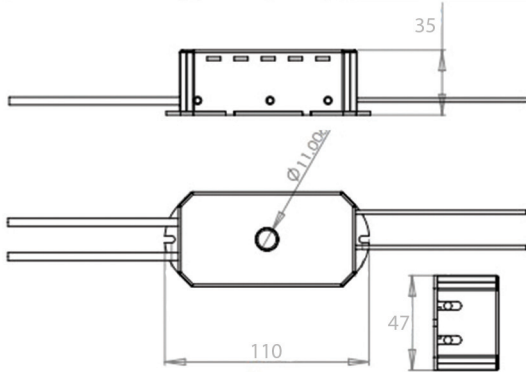
220-240V Remote					
Model #	Input Voltage	Input Current	Output Voltage	Weight	Load Type
TU150WA12RE	220-240V AC 50/60Hz	0.68 A	12V AC	713g	Incandescent & Halogen Bulbs
TU150WA12REO	220-240V AC 50/60Hz	0.68 A	12V AC	1037g	Incandescent & Halogen Bulbs
TU150WD12RE	220-240V AC 50/60Hz	0.68 A	12V DC	713g	Incandescent & Halogen Bulbs
TU150WD12REO	220-240V AC 50/60Hz	0.68 A	12V DC	1037g	Incandescent & Halogen Bulbs
TU150WA12LEDRE	220-240V AC 50/60Hz	0.68 A	12V AC	713g	AC LED Bulbs, Incandescent & Halogen Bulbs
TU150WA12LEDREO	220-240V AC 50/60Hz	0.68 A	12V AC	1037g	AC LED Bulbs, Incandescent & Halogen Bulbs
TU150WD12LEDRE	220-240V AC 50/60Hz	0.68 A	12V DC	713g	LED Strips, LED Bulbs, Incandescent & Halogen Bulbs
TU150WD12LEDREO	220-240V AC 50/60Hz	0.68 A	12V DC	1037g	LED Strips, LED Bulbs, Incandescent & Halogen Bulbs

MECHANICAL SPECS. FOR ALL AC PRODUCTS

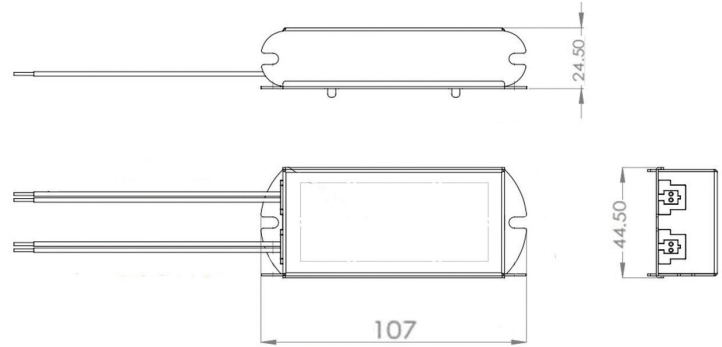
Available Form Factors	Dimensions
Standard "E5"	110X47X35mm
"E"	107X44.5x24.5mm
"G2"	233.1X85.5X48.9mm
"G3"	280x103x56mm



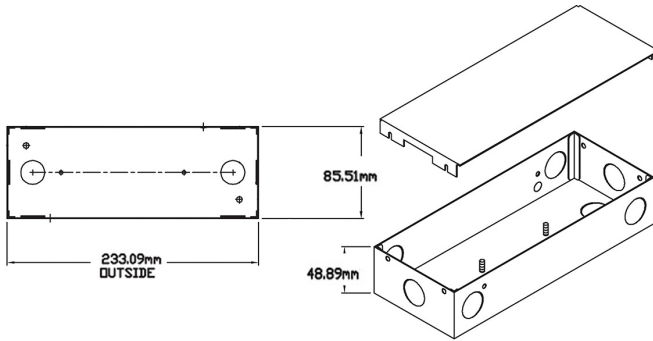
E5 - STANDARD



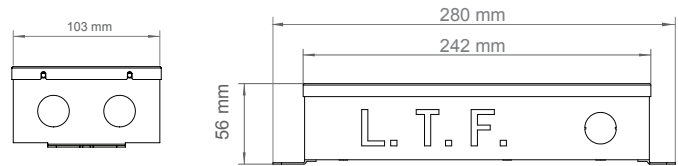
E - SPECIAL ORDER



G2 - REMOTE(RE) MODELS ONLY



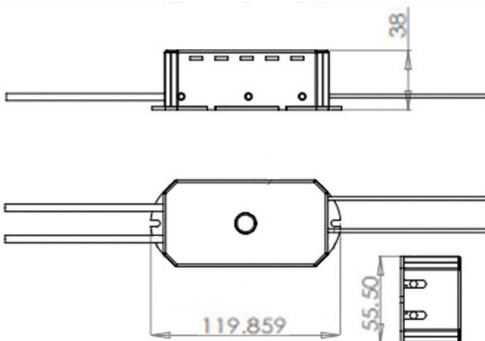
G3 - LED REMOTE (REO) MODELS ONLY



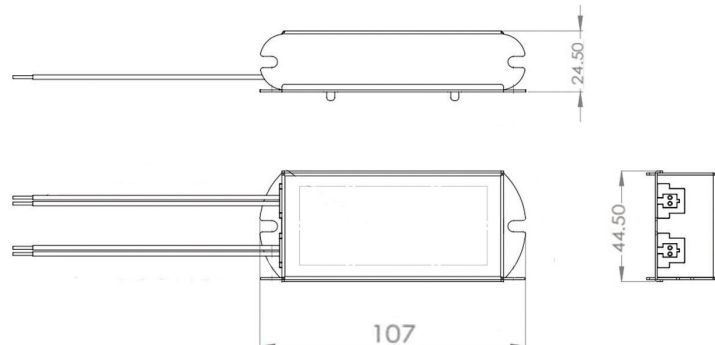
MECHANICAL SPECS. FOR ALL DC PRODUCTS

Available Form Factors	Dimensions
Standard "E6"	120X55.5X38mm
"E"	107X44.5x24.5mm
"G2"	233.1X85.5X48.9mm
"G3"	280x103x56mm

E6 - STANDARD

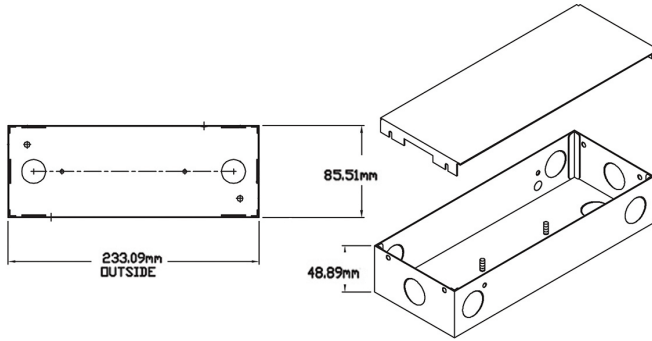


E - SPECIAL ORDER





G2 - REMOTE(RE) MODELS ONLY



G3 - LED REMOTE (REO) MODELS ONLY

