



L.T.F.

Dimmable LED Driver - CLASS 2



60W DS60W-3002 120-277V UniDriver Series Constant Current & Constant Voltage

UNIDRIVER



Pictured: "BR2" Form Factor

| | |
|--------------|----------------------|
| Efficiency | > 84% |
| Power Factor | > 0.9 |
| Case TC | 90°C Max. |
| Protection | Input / Output |
| Storage | -30°C / +90°C |
| Humidity | 95% RH Max. |
| IP Rating | IP67 |
| Class | Class 2 Power Supply |
| Dimming | 0-10V, TRIAC, ELV |



RoHS



FEATURES

- Universal Input 120V-277V AC 50/60Hz
- Tri-Mode Dimming 0-10V, ELV & Triac type dimmers 0-100%
- Flicker free dimming
- Title 24 Compliant, AAA rating
- Aluminum casing for optimal heat dissipation
- Efficient, high power factor > 0.90
- Isolated output power per NEC and UL safety requirements
- UL & ETL recognized / listed, meets UL 8750, 1310 requirements
- Auto-reset; short circuit, overload and thermal protection
- Class 2 power supply



5
7* 10*
YEAR WARRANTY
*Ask for more information

ELECTRICAL SPECIFICATIONS

| Model # | Input Voltage | Wattage | Constant Current Output | Load | Form Factor |
|--------------------------|-------------------------------|---------|-------------------------|------------------|---------------|
| DS60W900C5263BR2UD-3002 | 120-277V AC, 0.7A, 50/60Hz | 60W | 900mA | 52V - 63V DC LED | BR2, R, F5 |
| DS60W1000C4960BR2UD-3002 | | | 1000mA | 49V - 60V DC LED | |
| DS60W1100C4055BR2UD-3002 | | | 1100mA | 40V - 55V DC LED | |
| DS60W1200C3950BR2UD-3002 | | | 1200mA | 39V - 50V DC LED | |
| DS60W1400C3142BR2UD-3002 | | | 1400mA | 31V - 42V DC LED | |
| DS60W1600C2637BR2UD-3002 | | | 1600 mA | 26V - 37V DC LED | |
| DS60W1800C2233BR2UD-3002 | | | 1800mA | 22V - 33V DC LED | |
| DS60W2100C1728BR2UD-3002 | | | 2100mA | 17V - 28V DC LED | |
| DS60W2600C1223BR2UD-3002 | | | 2600mA | 12V - 23V DC LED | |
| DS60W3000C0920BR2UD-3002 | | | 3000mA | 9V - 20V DC LED | |

L.T.F., L.L.C. PHONE: (847) 498-5832 FAX: (773) 337-5628 EMAIL: LTFsales@lfttechnology.com

Company's Address: 11966 Oak Creek Pkwy Unit H, Huntley, IL 60142 U.S.A. www.lfttechnology.com

© L.T.F., L.L.C. All rights reserved. L.T.F. reserves the right to change specification for product improvements without notification



L.T.F.

Dimmable LED Driver - CLASS 2

**60W DS60W-3002 120-277V UniDriver Series
Constant Current & Constant Voltage**

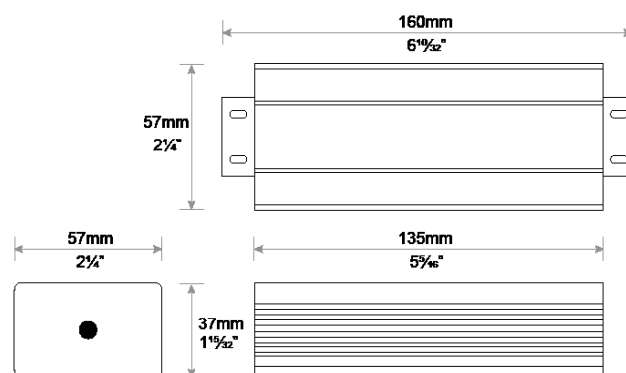
ELECTRICAL SPECIFICATIONS

| Constant Voltage | | | | | |
|--------------------|-------------------------------|---------|----------------|-----------------------|---------------|
| Model # | Input Voltage | Wattage | Output Voltage | Load | Form Factor |
| DS60W12VBR2UD-3002 | 120-277V AC, 0.7A, 50/60Hz | 60W | 12V DC | 12V DC LED 5A Max. | BR2 , R F5 |
| DS60W24VBR2UD-3002 | | | 24V DC | 24V DC LED 2.5A Max. | |
| DS60W36VBR2UD-3002 | | | 36V DC | 36V DC LED 1.67A Max. | |
| DS60W48VBR2UD-3002 | | | 48V DC | 48V DC LED 1.25A Max. | |

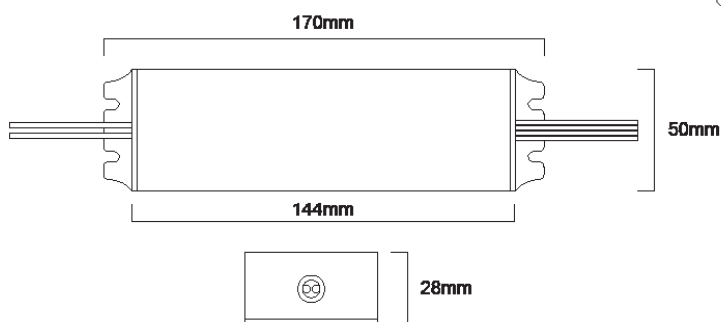
MECHANICAL SPECS

| Form Factor | Dimensions |
|-------------|-----------------------|
| "BR2" | 160 (135) x 57 x 37mm |
| "R" | 90 (OD) x 32.5mm |
| "F5" | 170(144)x50x28mm |

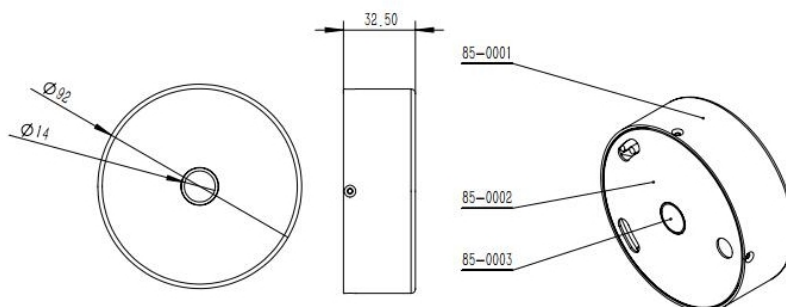
BR2



F5



R





L.T.F.

Dimmable LED Driver - CLASS 2

**60W DS60W-3002 120-277V UniDriver Series
Constant Current & Constant Voltage**

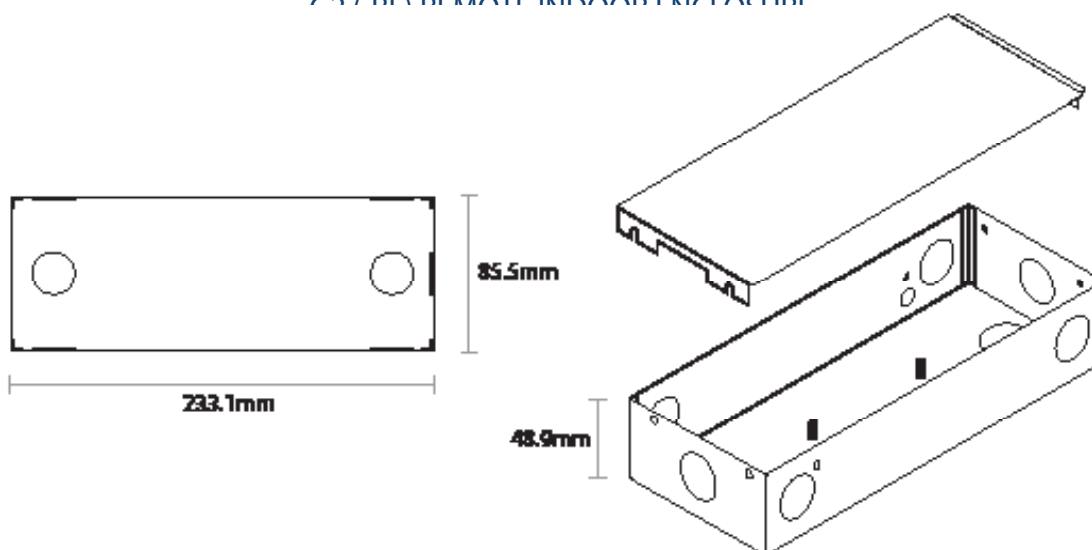


REMOTE ENCLOSURES - UL LISTED

| Model | Enclosure Type | Enclosure Dimensions |
|---------------------------|-----------------|------------------------|
| LDS60W-XXXX-BR2UDRE-3002 | G2 (Damp Rated) | 233.1 x 85.5 x 48.9mm |
| LDS60W-XXXX-BR2UDREO-3002 | G3 (Wet Rated) | 280 (242) x 103 x 56mm |



G2 (-RE) REMOTE INDOOR ENCLOSURE



G3 (-REO) REMOTE OUTDOOR ENCLOSURE

