

No Minimum Load - Full Range Dimming

## GENERAL INFORMATION

LED Driver Type	AC LED (Class 2)
Maximum Wattage	60 Watts
Input Voltage	120, 230, 277 VAC ± 10%
Input Frequency	50/60Hz

## PRODUCT FEATURES

- No Minimum Load
- Short circuit protection
- Suitable for dry and damp locations
- Withstanding voltage: I/P – O/P 2kVAC
- Surge Rating: NEMA SSL1-2010 Non-roadway 2.5kV
- Operating temperature range: -20°C to 90°C (measured at Tcase)
- Wide Dimming Range
- Recommended ELV Dimming
- Suitable for AC LED or Halogen Loads

## CASE: ALUMINIUM



CASE STYLE: M



CASE STYLE: BF

## APPROVALS

- UL 8750 Recognized Component
- RoHS Compliant



## ELECTRICAL SPECIFICATIONS

Specifications subject to change without notice

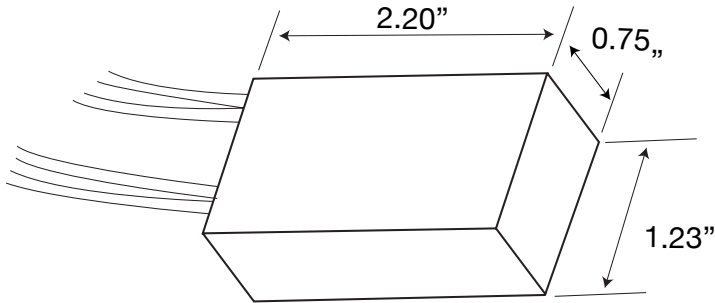
Max Watts	Input Volts	Input Current	Nominal Output Volts	Max Output Current	Case Style	Power Factor	Efficiency	Hatch Part No.
15	120	0.15	12	1.30	M	>0.9%	90%	RS12-15M-LED
					BF	>0.9%	90%	RS12-15BF-LED
	230	0.08	12	1.30	M	>0.9%	90%	RS12-15M-LED-230
					BF	>0.9%	90%	RS12-15BF-LED-230
	277	0.07	12	1.30	M	>0.9%	90%	RS12-15M-LED-277
					BF	>0.9%	90%	RS12-15BF-LED-277
30	120	0.30	12	2.50	M	>0.9%	90%	RS12-30M-LED
					BF	>0.9%	90%	RS12-30BF-LED
	230	0.16	12	2.50	M	>0.9%	90%	RS12-30M-LED-230
					BF	>0.9%	90%	RS12-30BF-LED-230
	277	0.13	12	2.50	M	>0.9%	90%	RS12-30M-LED-277
					BF	>0.9%	90%	RS12-30BF-LED-277
60	120	0.60	12	5.00	M	>0.9%	90%	RS12-60M-LED
					BF	>0.9%	90%	RS12-60BF-LED
	230	0.31	12	5.00	M	>0.9%	90%	RS12-60M-LED-230
					BF	>0.9%	90%	RS12-60BF-LED-230
	277	0.26	12	5.00	M	>0.9%	90%	RS12-60M-LED-277
					BF	>0.9%	90%	RS12-60BF-LED-277

Please refer to LED product manufacturer data sheets for compatibility with the RS LED products. Hatch does not perform compatibility and/or dimmer compatibility testing with other manufacturers LED lamp products. See lamp manufacturers listings of approval of their products with our drivers.

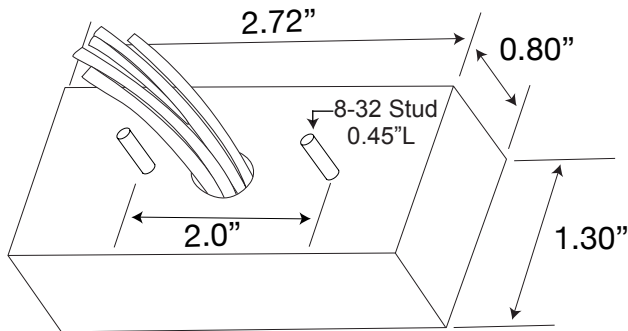
No Minimum Load - Full Range Dimming

## MECHANICAL SPECIFICATIONS

### CASE STYLE M (SIDE LEAD)



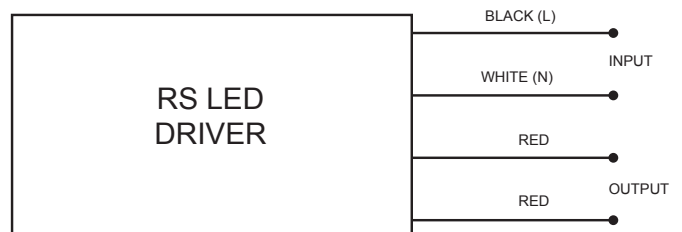
### CASE STYLE BF (BOTTOM FEED)



## WIRING INFORMATION

Input: 6", Black (L), White (N) 300V 105°C #18AWG  
Output: 6", Red (+), Red (-) 300v 105°C #18AWG

## WIRING SPECIFICATIONS



## PACKAGING INFORMATION

Unit Weight: 2.8 oz  
Quantity: 100pc/carton  
Carton Weight: 17 lbs 8 oz

Please refer to LED product manufacturer data sheets for compatibility with the RS LED products. Hatch does not perform compatibility and/or dimmer compatibility testing with other manufacturers LED lamp products. See lamp manufacturers listings of approval of their products with our drivers.