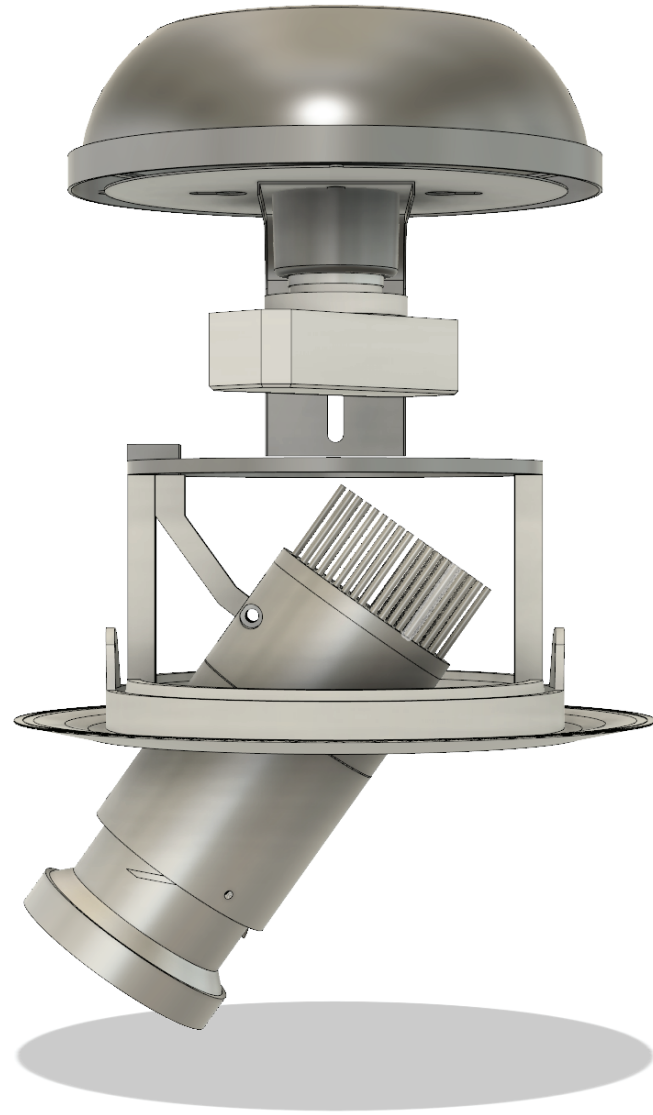


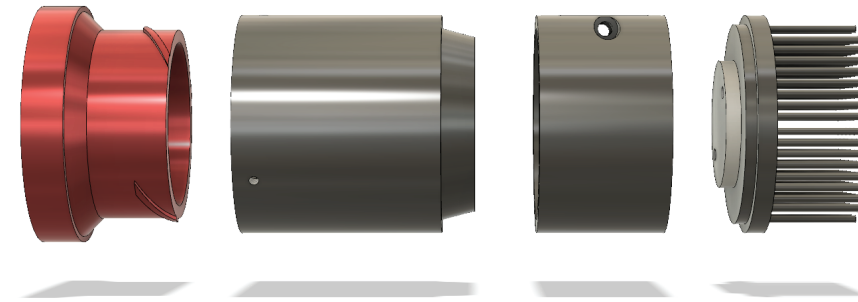
# Gobo Projector

A projector designed to enhance  
the ways companies advertize.



## Features

This gobo projector is designed to fit into a 6" recessed can. It can fully drop down, out and spin 360° to project on any desired surface. It has a focusing feature for the most detailed templates.



## 4 Sections/3 Forms

Pictured Left: Shows the main component sections of the gobo projector.

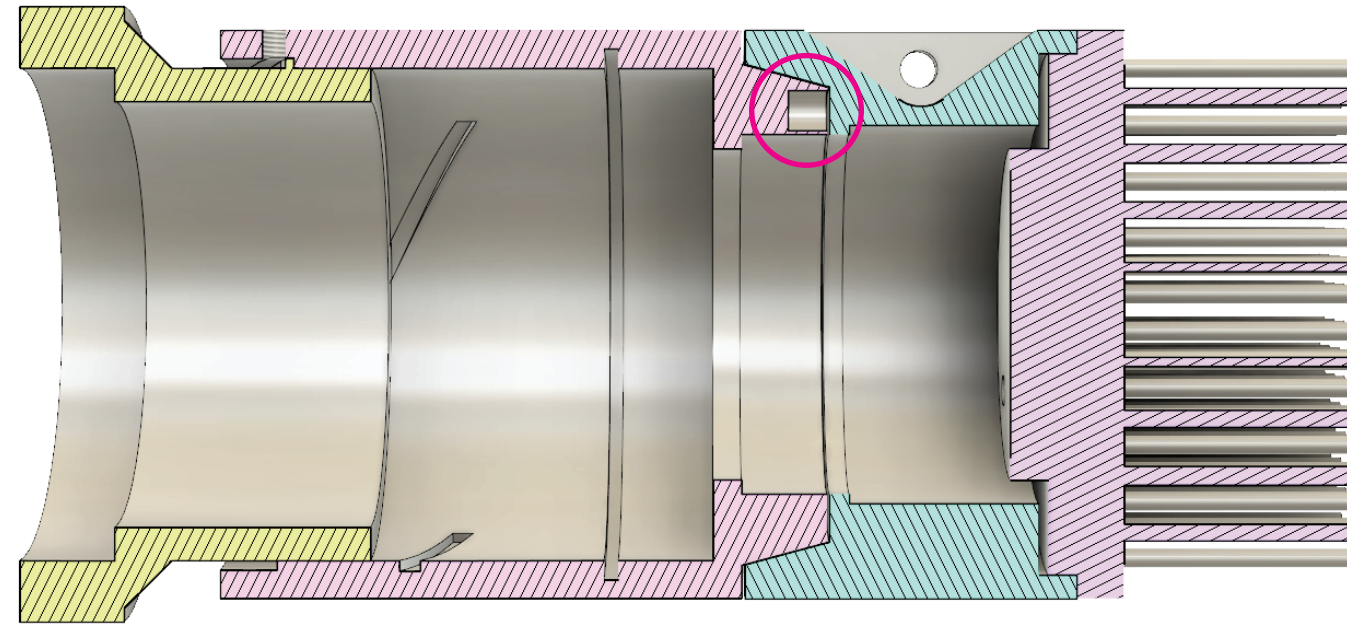
Pictured Below: Shows the current selection of forms we've designed for the projector.



brandknew

# Gobo Projector

A projector designed to enhance the ways companies advertize.



## Internal Layout

The 4 main segments come together to create the overall form. **Magnetic** connections to access the template holder are used for ease of access.

## Product Orientations

The Gobo Projector can work for many different applications due to its versatile movement. Displayed are the ways in which the projector can be utilized.

