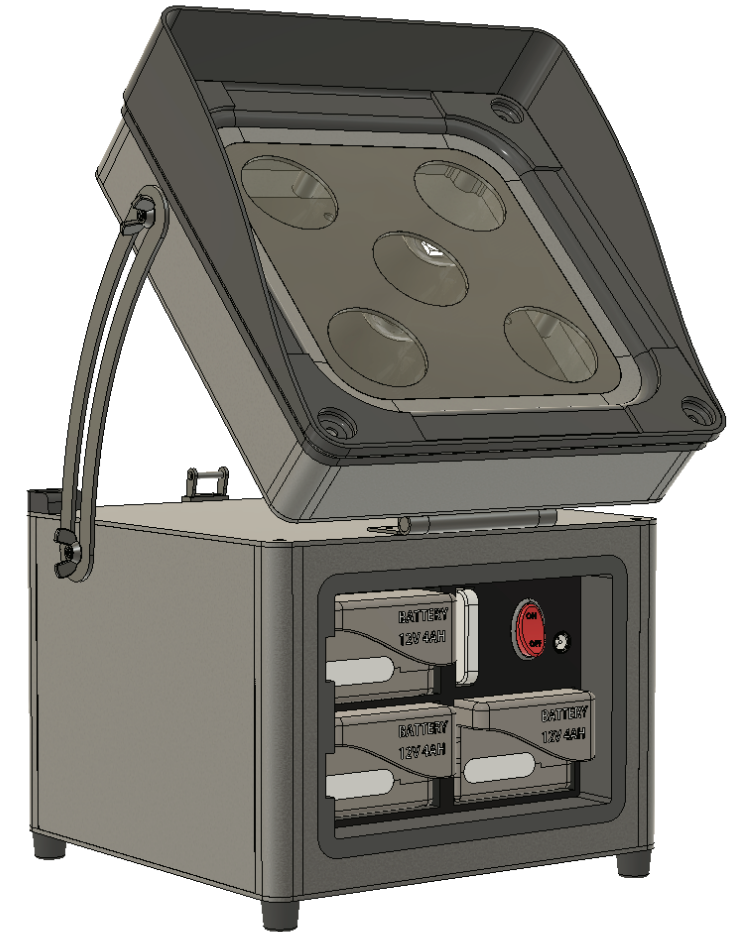


The Party Cube

LED Lighting Fixture for Events

Copyright or credit or date

1. The Fixture



Party Cube

The Party Cube is intended to be used for event lighting. This light is usually set up on the floor and put into position to illuminate walls or internal architecture to create an inviting atmosphere.

2. Positions

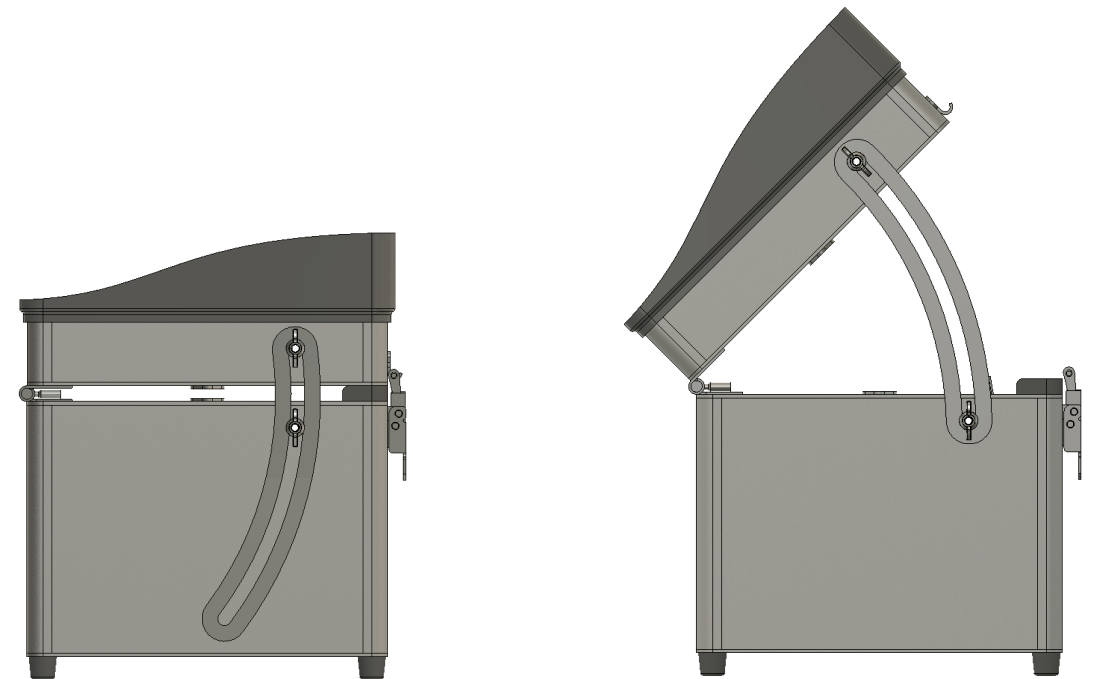


Hanging the Fixture

Pair the Party Cube with a standard staging yolk for instances where the desired area to illuminate is on the ground.

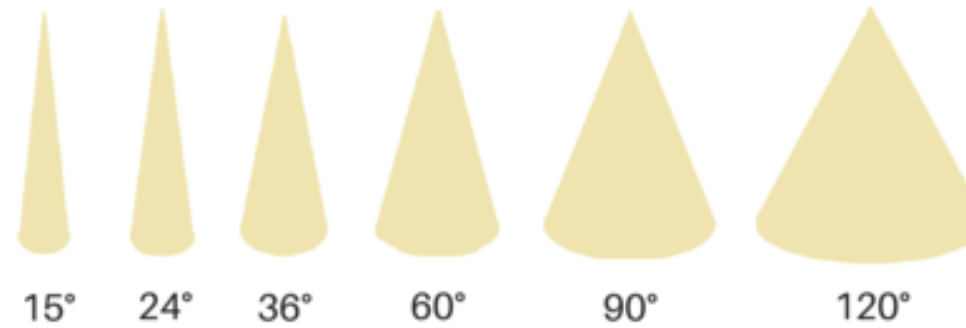
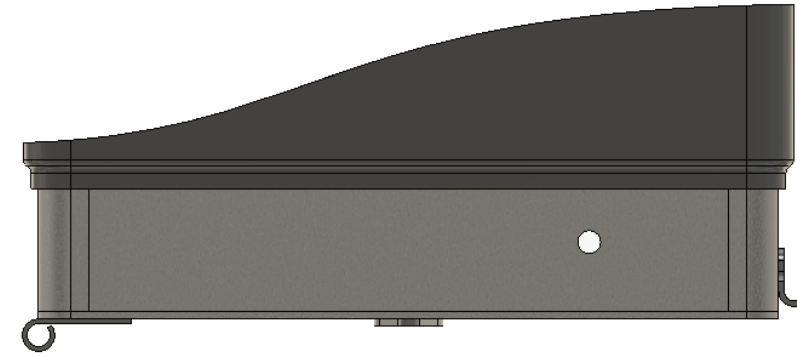
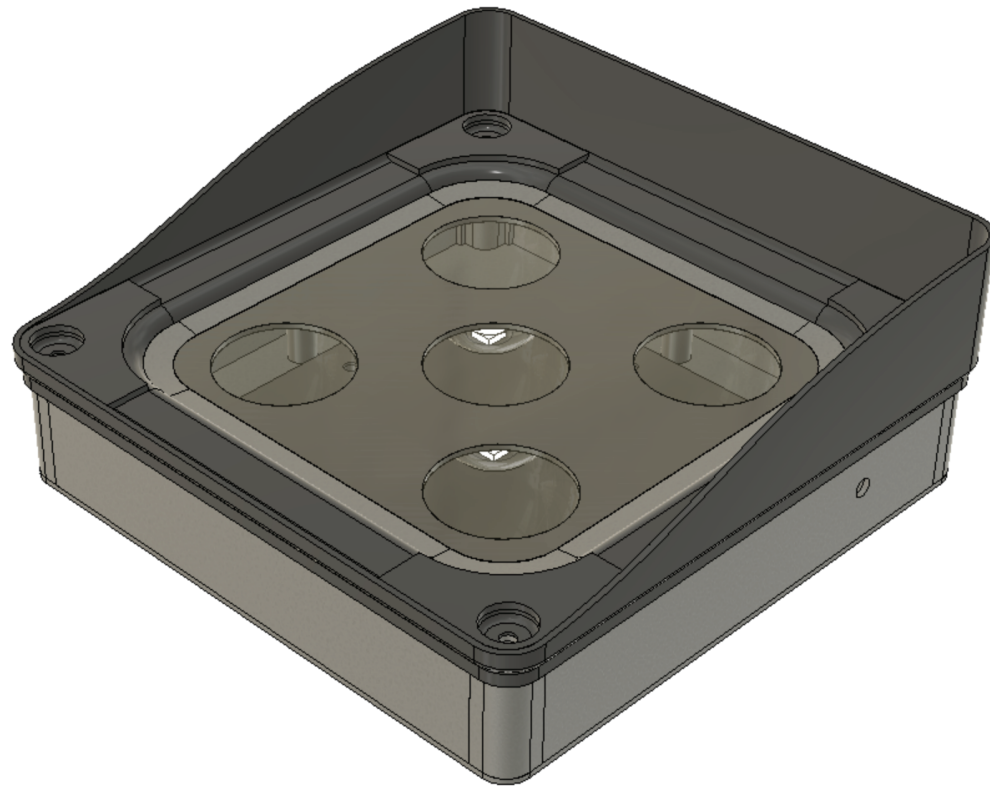
Floor Position

When the Party Cube is placed on the floor, it can illuminate straight up or it can be tilted up to 45 degrees and anything in between.



3. LED Module

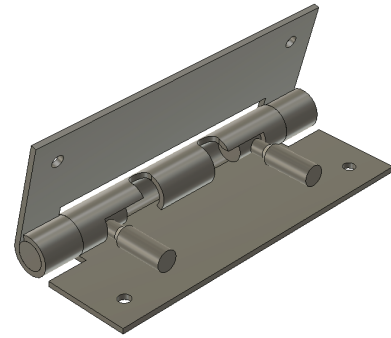
The LED Module can be disengaged from the battery enclosure and used on it's own.



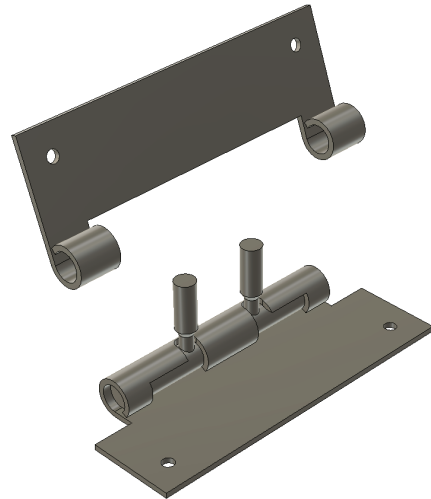
Beam Angles

The Party Cube can achieve different beam angles by switching out the lenses. The lenses are optically designed to achieve specified beam angles.

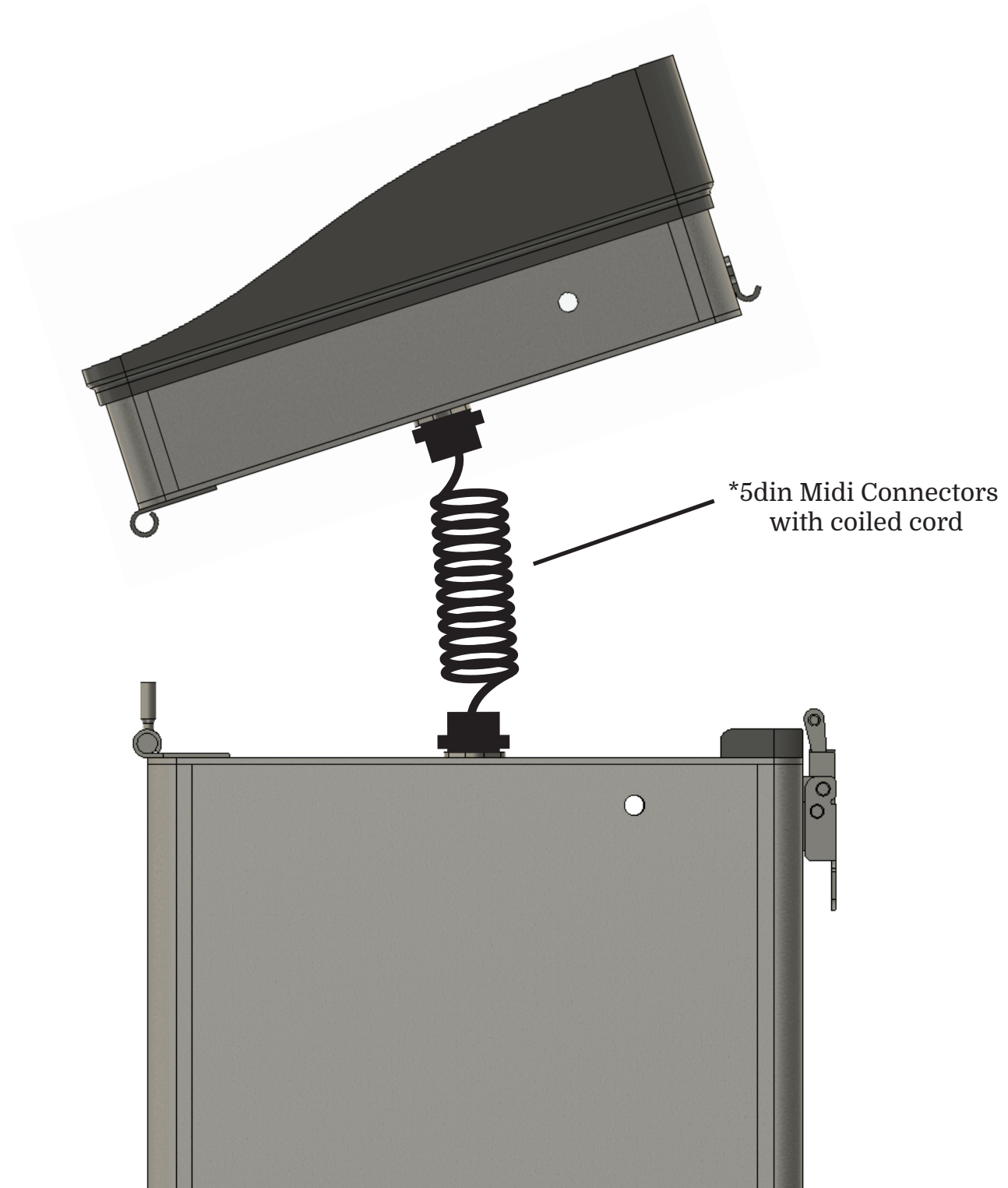
4. Hinge Mechanism



* Hinge Engaged



* Hinge Disengaged

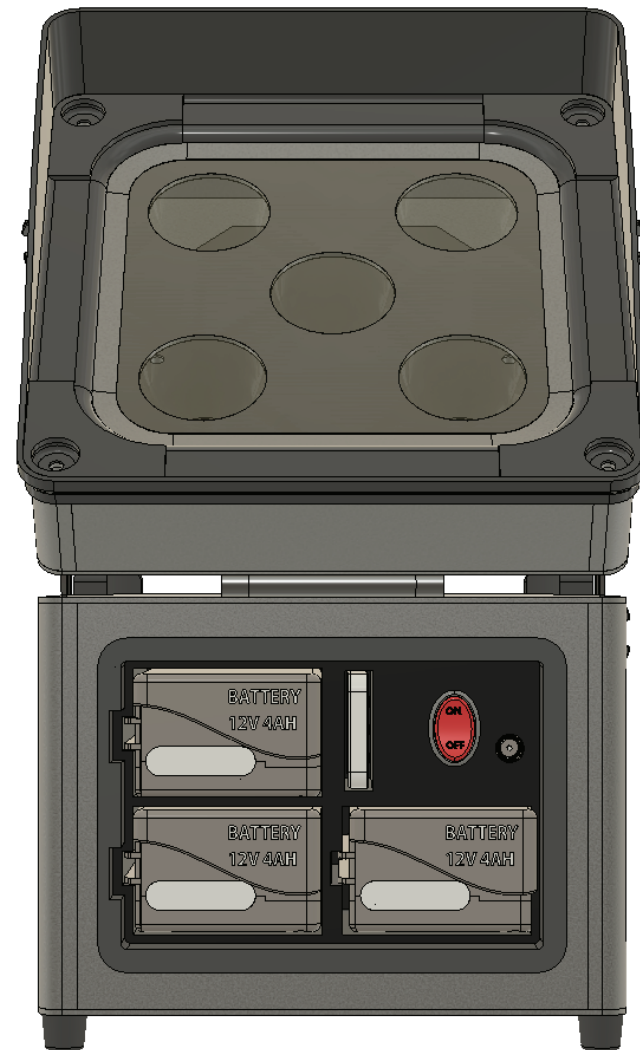


Quick Release Hinge

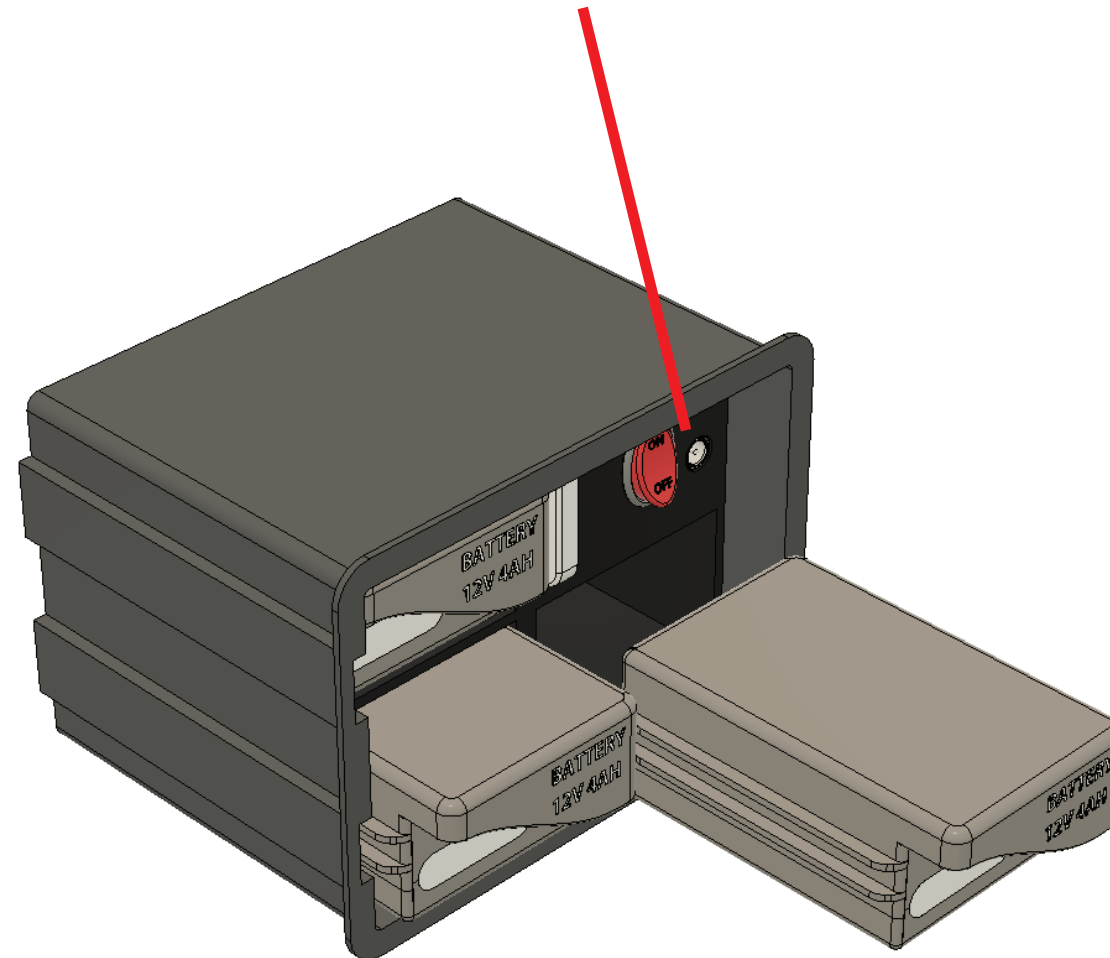
The quick release hinge allows for easy disassembly of the Party Cube into its basic components. The LED Module can then be used on its own.

5. Battery Enclosure

The Battery Enclosure uses the same batteries as the FCG Saturn Light.



*Plug in here for outlet usage



Up to 30 Hours of Use

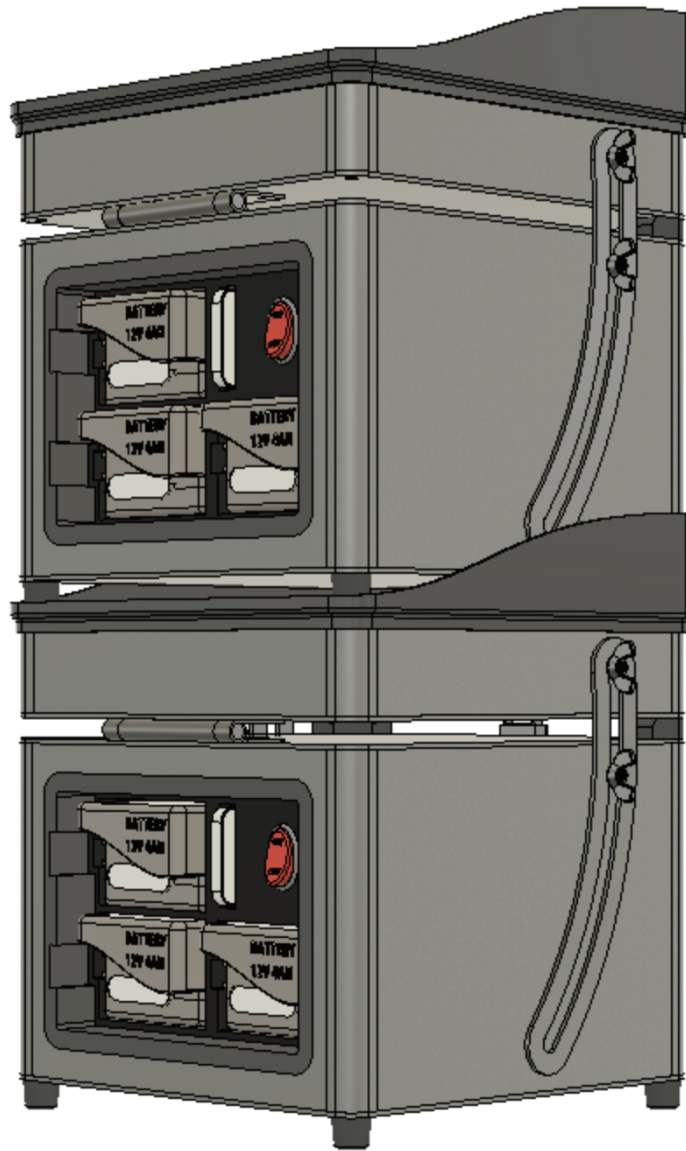
Each battery can hold between 8-10 hours worth of charge. With three battery slots available, this fixture can perform all day and all night. Swapping batteries is as easy as it gets for continuous use.

Plug into Outlet

Connect to an outlet for usage without worrying about battery life. The wall pack charger also charges the batteries.

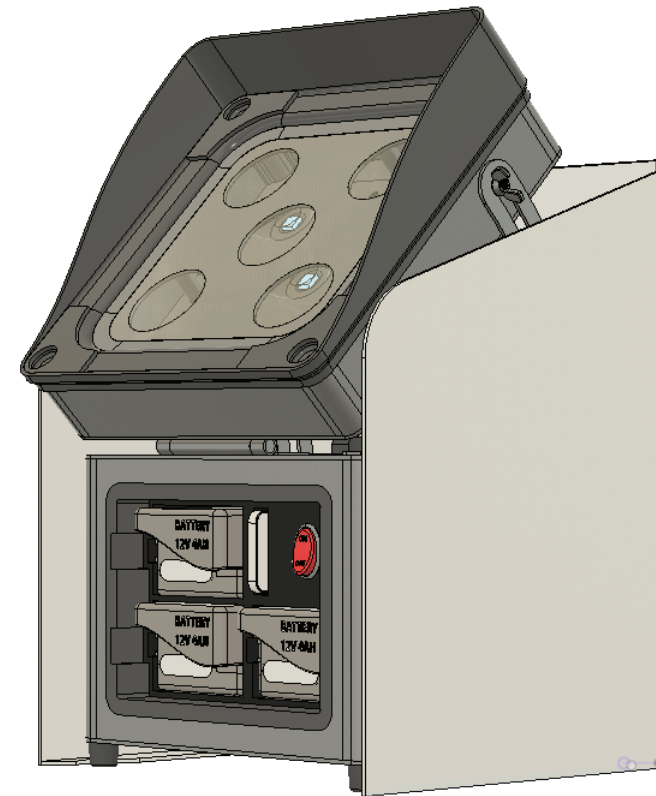
6. Product Features

This fixture can be broken down into its essential components as well as function together as a full unit.



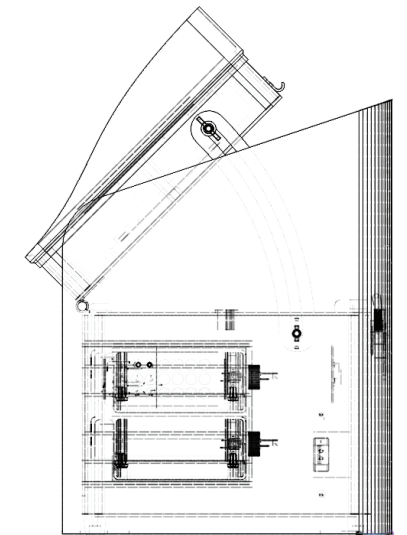
Stacking Fixtures

The Party Cube has been designed to be stackable, making transferring of lights easier on event workers and stage setup.

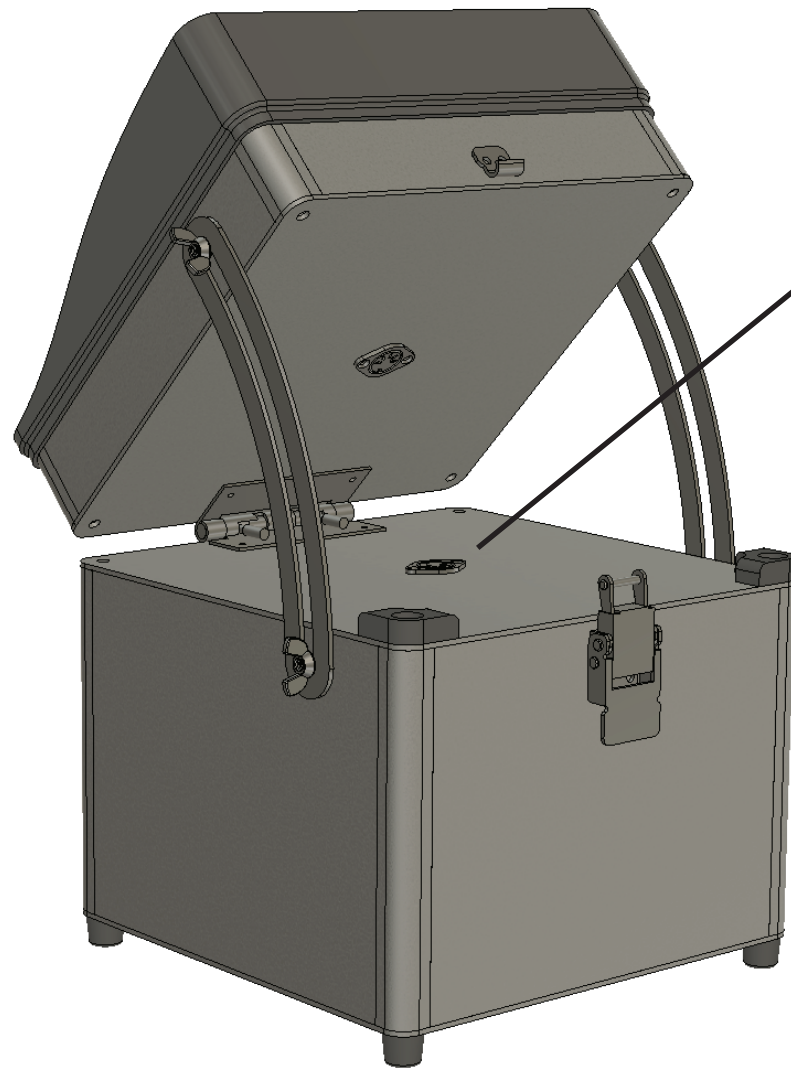


Foldable Skirt

The Foldable Skirt surrounds the Fixture to give the Fixture different finish options without having to produce several finish options on the Fixture itself.



7. Power



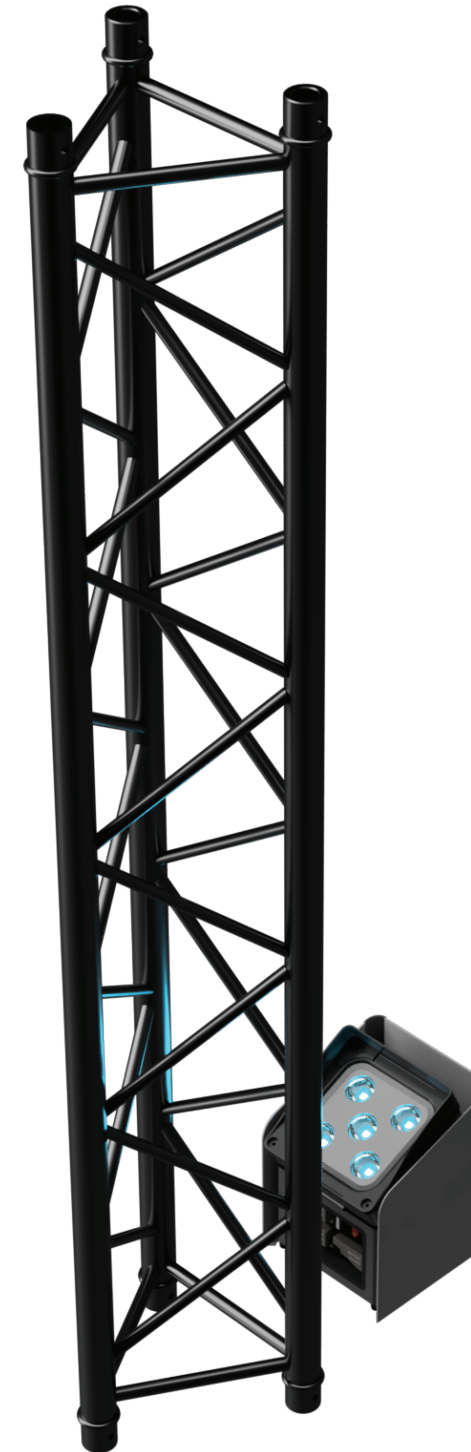
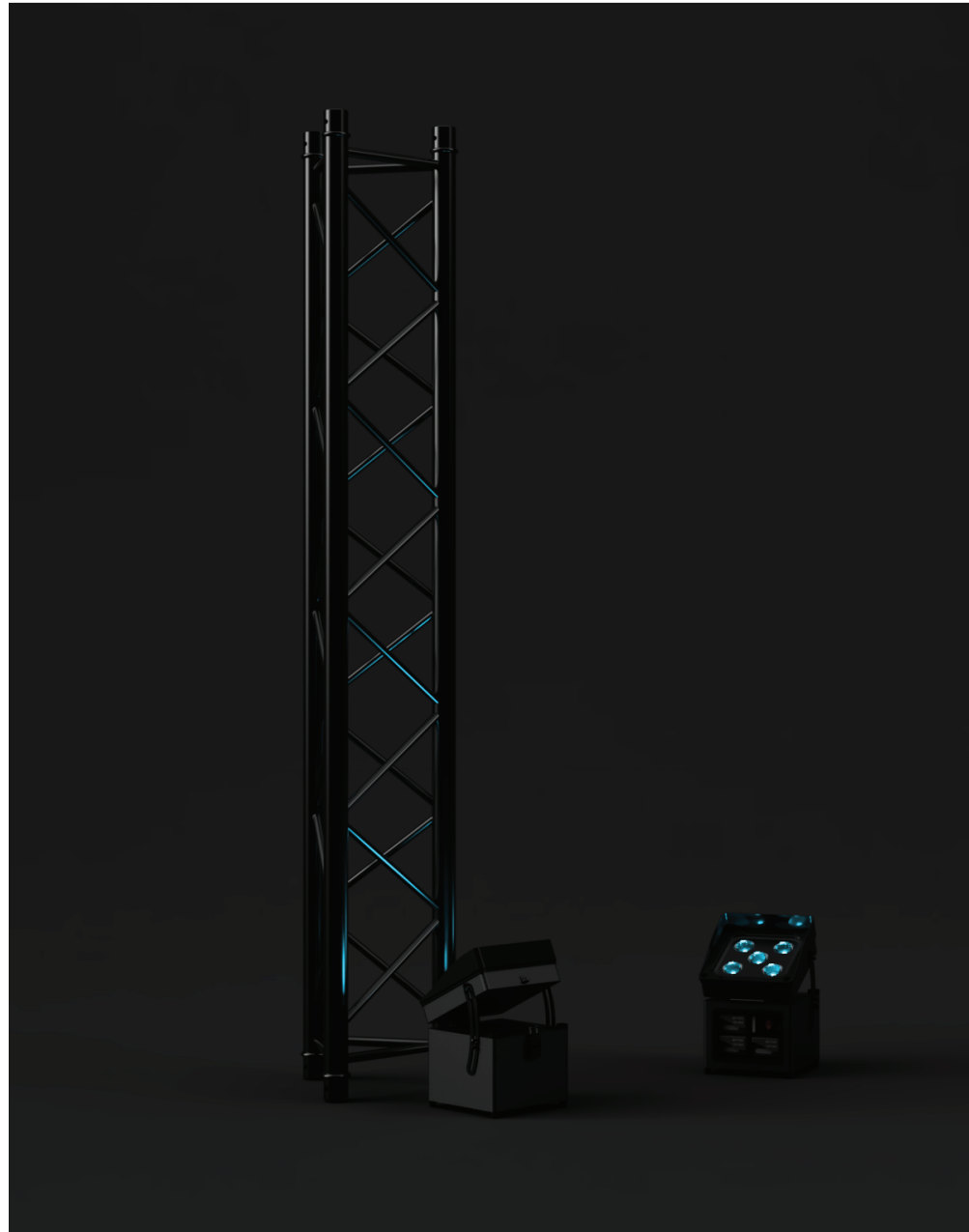
*Plug in the 5 din Midi Connector here and attach to the LED Module



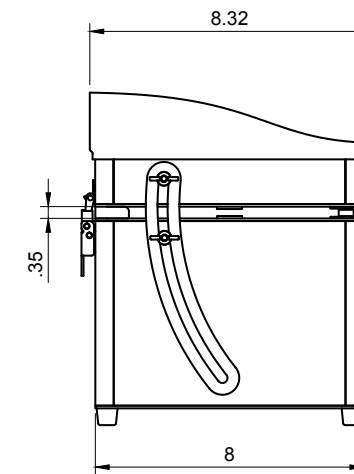
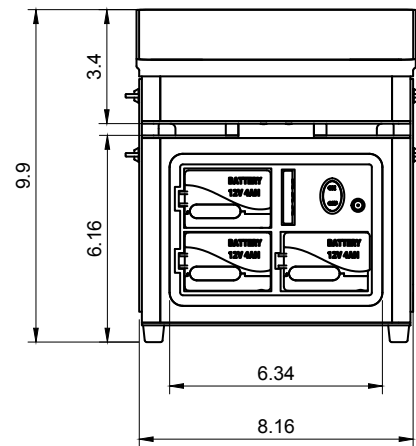
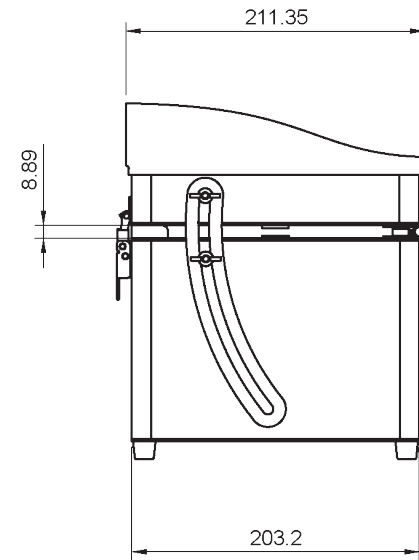
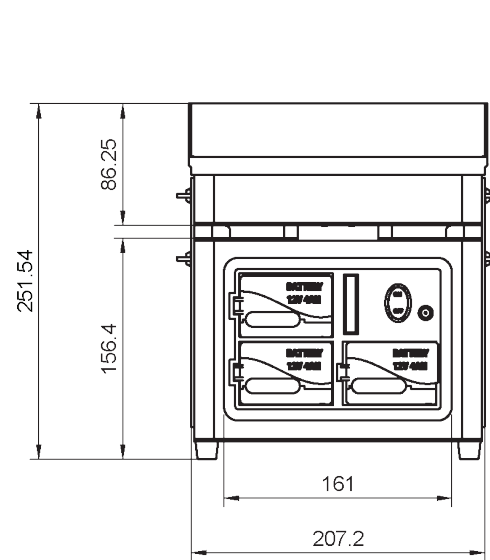
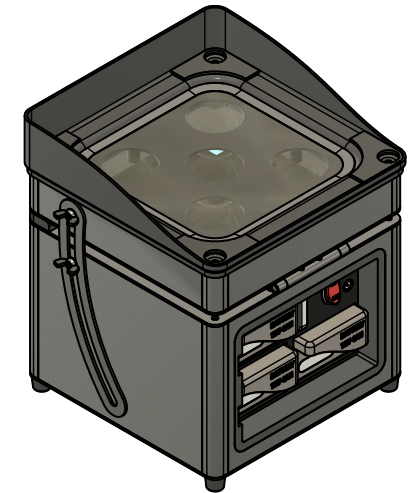
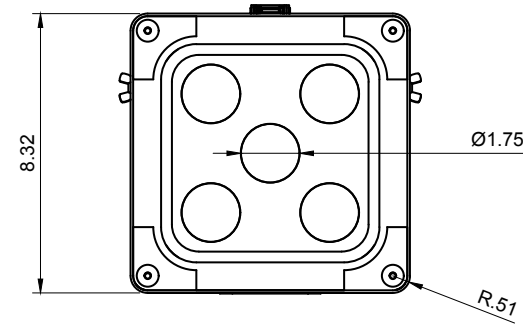
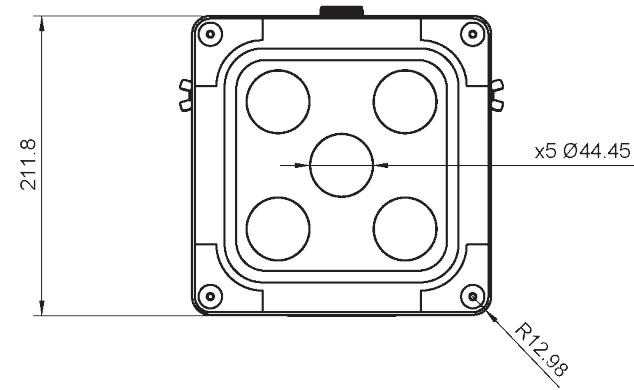
5Din Midi Connectors

The Party Cube uses standard 5din Midi Connectors to transfer power from the Battery Enclosure to the LED Module. The Spiral Cord allows for less wire clutter and flexibility when tilting the LED Module.

8. In Context



9. Overall Dimensions



Dimensions in inches.