

Dimensions in inches

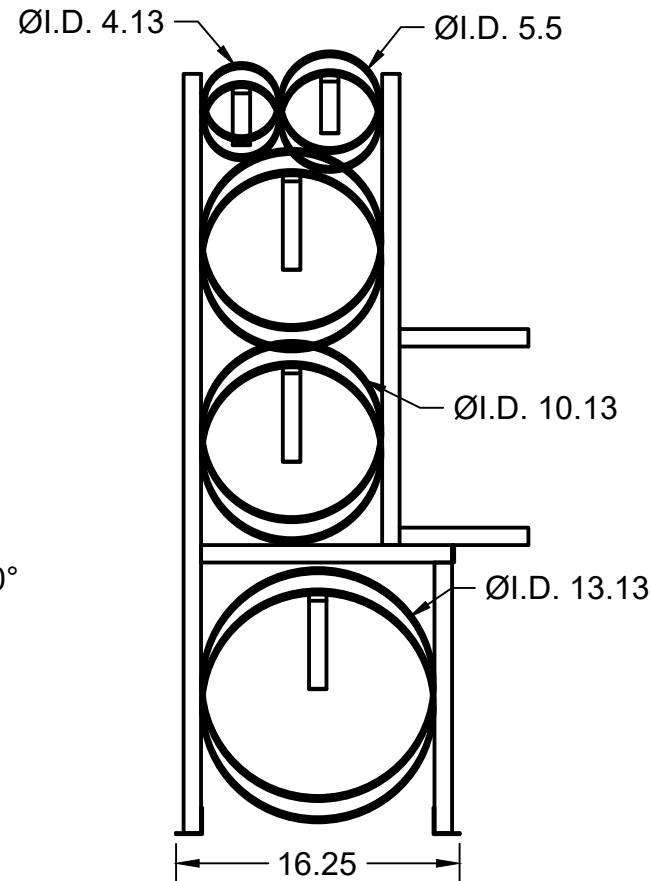
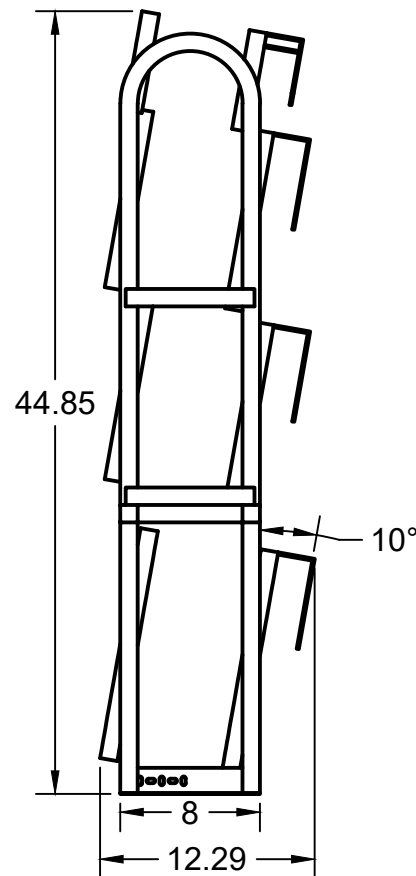
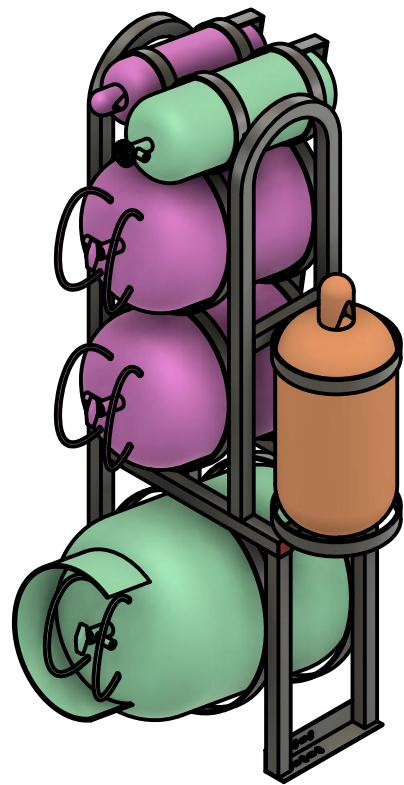
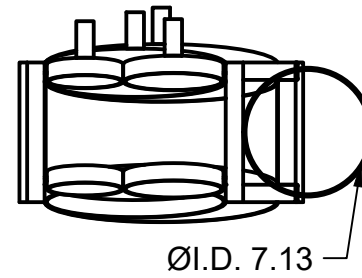
Part Number
004-794 Big Boy

PRODUCT DESCRIPTION:
Refrigerant Tank Rack

PRODUCT DATA:

- 1- 50 lb
- 2- 30 lb
- 1- MC
- 1- R-oxy
- 1- Nit

- Welded using 16-gauge G-90 galvanized tube steel
- Rings are made using 12-gauge G-90 galvanized steel
- Weight: 25lbs



THE METAL SHOP

APPROVED

CHECKED

DRAWN

Colton Hunt

9/18/2019

SIZE

A

REV

SCALE 1:11

SHEET

1/1