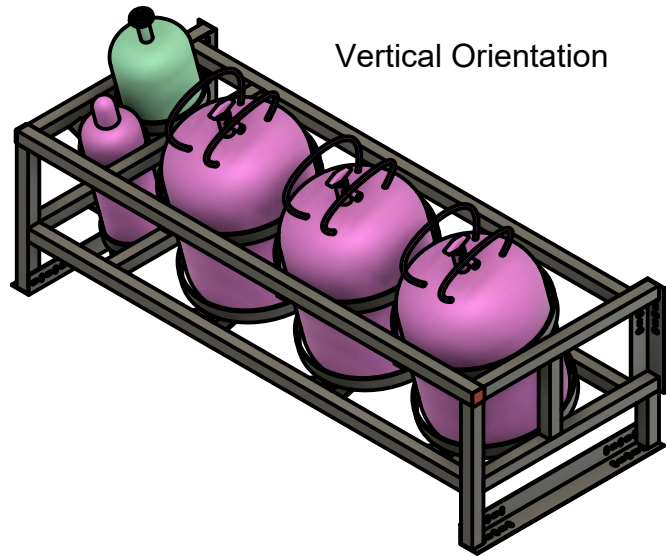
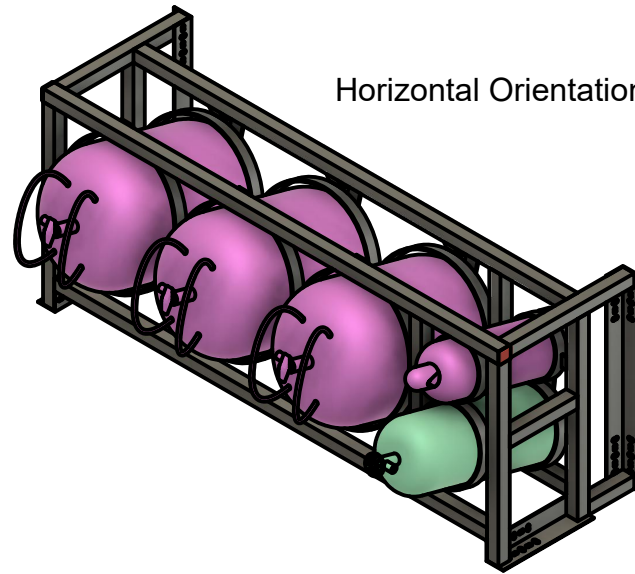


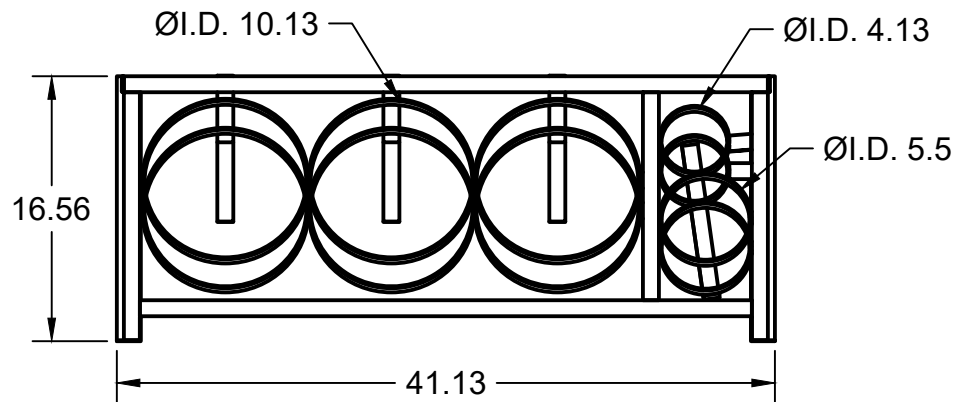
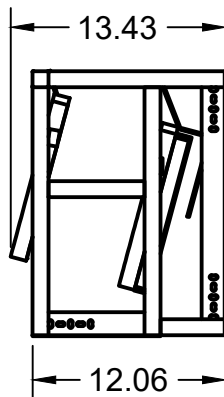
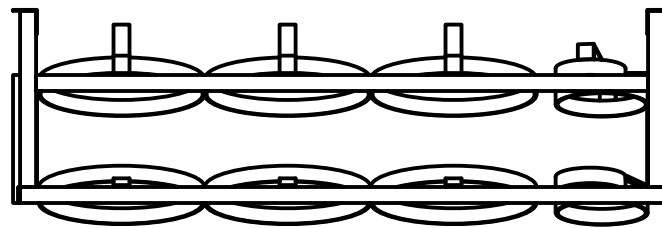
Dimensions in inches



Vertical Orientation



Horizontal Orientation



Part Number
004-797 Lazy Boy

PRODUCT DESCRIPTION:
Refrigerant Tank Rack

PRODUCT DATA:

3- 30 lb
1- MC
1- R-oxy

- Welded using 16-gauge G-90 galvanized tube steel
- Rings are made using 12-gauge G-90 galvanized steel
- Weight: 37lbs

THE METAL SHOP

APPROVED	SIZE	REV	SHEET
CHECKED	A		1/1
DRAWN Colton Hunt 9/18/2019	SCALE 1:12		