

Limited Warranty

J & J Global, LLC (Seller) warrants to the original Buyer only, that each product will be free from defects in material and workmanship for a period of one (1) year from date of purchase. SELLER'S SOLE OBLIGATION AND BUYER'S EXCLUSIVE REMEDY UNDER THIS LIMITED WARRANTY SHALL BE THE REPAIR OR REPLACEMENT OF PARTS, WITHOUT CHARGE, WHICH ARE DEFECTIVE IN MATERIAL OR WORKMANSHIP. ANY PARTS AS DETERMINED BY THE SELLER WHICH HAVE BEEN MISUSED; ABUSED OR DAMAGED EITHER DIRECTLY OR INDIRECTLY FROM REPAIRS OR ALTERATIONS ATTEMPTED BY UNAUTHORIZED PERSON; IMPROPER MAINTENANCE, NEGLIGENCE OR ACCIDENT ARE NOT COVERED BY THIS LIMITED WARRANTY. This warranty does not apply to damage, heat-induced coloration changes, scratching or alteration due to normal use or weathering. To make a claim under this Limited Warranty, email contact@ezreplacement.com or visit www.ezreplacement.com for warranty questions and claims.

Additional Limitations

THIS LIMITED WARRANTY DOES NOT APPLY TO ACCESSORY OR CONSUMABLE ITEMS RELATED TO THIS PRODUCT. ALL IMPLIED WARRANTIES SHALL BE LIMITED IN DURATION TO ONE (1) YEAR FROM DATE OF PURCHASE. IN NO EVENT SHALL SELLER BE LIABLE FOR ANY INCIDENTAL OR CONSEQUENTIAL DAMAGES, INCLUDING BUT NOT LIMITED TO LIABILITY FOR LOSS OF PROFITS, ARISING FROM THE SALE OR USE OF THIS PRODUCT.

If any provision of this Limited Warranty is for any reason held to be invalid or unenforceable, such provision shall not affect any other provision herein, this Limited Warranty shall be construed as if such invalid and/or unenforceable provision had never been contained herein.

This warranty gives you special legal rights, and you may also have other rights which vary from state to state.

This warranty contains the entire agreement between Seller and Buyer and supercedes any and all prior agreements, arrangements, or understandings between the parties relating to product warranty.

Due to ongoing product development the actual product or products may vary from the illustrations or photos shown within this manual.

For Manuals, Replacement Parts or Customer Service visit:
www.ezreplacement.com

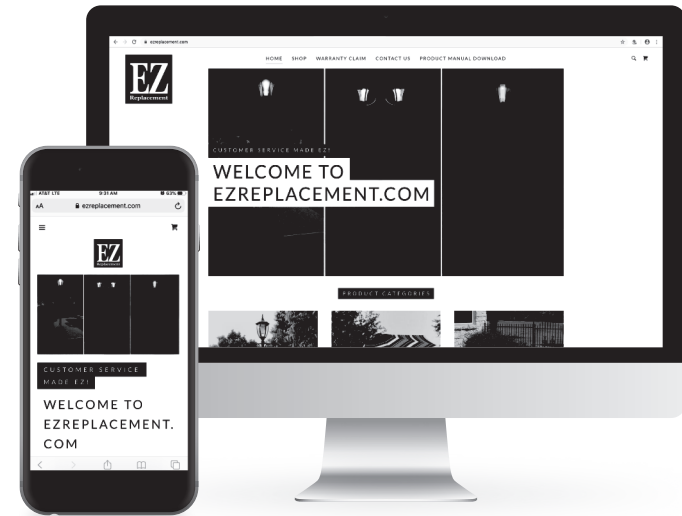
This product is intended for residential, non-commercial use.

⚠ WARNING

This product can expose you to lead, a chemical known to the state of California to cause cancer, birth defects and/or other reproductive harm. For more information go to www.p65warnings.ca.gov/product

MADE IN CHINA
©2020 J & J Global, LLC
Distributed By:
J & J Global, LLC
Irving, TX 75038

EZ Replacement www.EZreplacement.com
Customer Service Made EZ!



- User Friendly Interface
- Download Product Manuals
- Email your questions or concerns
- File Warranty Claim
- Follow-up within 24 Hrs
- Parts Ship within 48 Hrs.



Parts distribution made from our Carrollton, TX warehouse facility

ATTENTION!

Please do not return this product to the retailer.
If you are missing or have damaged parts please email
contact@ezreplacement.com Or Call 877-477-2264



42" Electric Fireplace w/Bluetooth Speaker

SKU: 101006



Read the instructions and precautions before use of this product

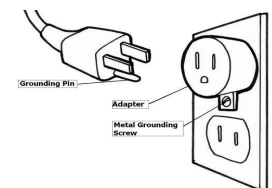
Please keep this instruction manual for future reference

For warranty information, please refer to the back page of this instruction manual.

IMPORTANT SAFETY INFORMATION (Continued)

- ALWAYS turn this heater off before unplugging it from the outlet.
 - ALWAYS disconnect this unit from the power supply before performing any assembly or cleaning, or before relocating the electric fireplace.
 - NEVER leave this heater unattended. ALWAYS unplug this heater when not in use.
 - ALWAYS store this heater in a dry location. NEVER use the fireplace if it has become wet.
 - NEVER plug this heater into an outlet that is old, cracked, or has any loose wires or connections. Plugging this heater into a faulty outlet could result in electric arcing within the outlet that could cause the outlet to overheat or catch fire.
 - ALWAYS check your heater cord and plug connections with each use!
- i) MAKE SURE the plug fits tight in the outlet! Faulty wall outlet connections or loose plugs can cause the outlet to overheat.
- ii) Heaters draw more current than small appliances. Overheating may occur even if it has not occurred with the use of other appliances.
- iii) During use check frequently to see if the plug outlet or face plate is HOT!
- iv) If the outlet or face plate is HOT, discontinue use immediately and have a qualified electrician inspect and/or replace the faulty outlets.
- The power cord supplied with the heater has three prongs: two flat blades (live and neutral) and one round pin (ground). If a 3-slot receptacle is not available, an adapter MUST be used. The adapter MUST be properly grounded to the outlet box (see figure below). [NOTE: Adapter NOT INCLUDED.]
- SAVE THESE INSTRUCTIONS! ALWAYS turn this heater off before unplugging it from the outlet.
 - ALWAYS disconnect this unit from the power supply before performing any assembly or cleaning, or before relocating the electric fireplace.
 - NEVER leave this heater unattended. ALWAYS unplug this heater when not in use.
 - ALWAYS store this heater in a dry location. NEVER use the fireplace if it has become wet.
 - NEVER plug this heater into an outlet that is old, cracked, or has any loose wires or connections. Plugging this heater into a faulty outlet could result in electric arcing within the outlet that could cause the outlet to overheat or catch fire.
 - ALWAYS check your heater cord and plug connections with each use!
- i) MAKE SURE the plug fits tight in the outlet! Faulty wall outlet connections or loose plugs can cause the outlet to overheat.
- ii) Heaters draw more current than small appliances. Overheating may occur even if it has not occurred with the use of other appliances.
- iii) During use check frequently to see if the plug outlet or face plate is HOT!
- iv) If the outlet or face plate is HOT, discontinue use immediately and have a qualified electrician inspect and/or replace the faulty outlets. (The power cord supplied with the heater has three prongs: two flat blades (live and neutral) and one round pin (ground). If a 3-slot receptacle is not available, an adapter MUST be used. The adapter MUST be properly grounded to the outlet box (see figure below). [NOTE: Adapter NOT INCLUDED.]

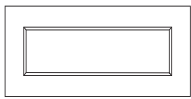



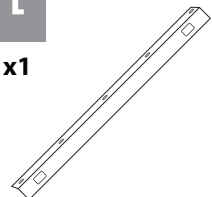




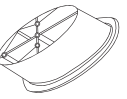
- SAVE THESE INSTRUCTIONS!



IMPORTANT SAFETY INFORMATION!

- Read all instructions before using this heater!
- This heater is hot when in use. To avoid burns, **DO NOT** let bare skin touch hot surfaces. If provided, use handles when moving this heater. Keep combustible materials, such as furniture, pillows, bedding, papers, clothes, and curtains at least 3 feet (0.9m) from the front of the heater, and keep them away from the sides and rear.
- Extreme caution is necessary when any heater is used by or near children or invalids and whenever the heater is left operating and unattended.
- **DO NOT** operate any heater with a damaged cord or plug or after the heater malfunctions, has been dropped or damaged in any manner. Discard heater, or return to authorized service facility for examination and/or repair.
- **DO NOT** run power cord under carpeting. **DO NOT** cover power cord with throw rugs, runners, or similar coverings. **DO NOT** route power cord under furniture or appliances. Arrange power cord away from traffic area, and where it will not be tripped over.
- Connect to properly grounded outlets **ONLY**.
- **DO NOT** insert or allow foreign objects to enter any ventilation or exhaust opening, as this may cause electric shock or fire, or damage the heater.
- To prevent a possible fire, **DO NOT** block air intakes or exhaust in any manner. Doing so could cause a fire. **DO NOT** use on soft surfaces, like a bed, where openings may become blocked.
- A heater has hot and arcing or sparking parts inside. **DO NOT** use it in areas where gasoline, paint, or flammable liquids are used or stored.
- Use this heater only as described in this manual. Any other use not recommended by the manufacturer may cause fire, electric shock, or injury to persons.
- **ALWAYS** plug heaters directly into a wall outlet/receptacle. **NEVER** use with an extension cord or relocatable power tap (outlet/power strip).
- **DO NOT** place the heater near a bed because objects such as pillows or blankets can fall off the bed and be ignited by the heater.
- **NEVER** use this heater in bathrooms, laundry rooms, or any other location where the heater could fall into a bathtub or pool, become damp, or come in contact with water.
- **AVOID FIRE!** Regularly inspect all air vents to make sure they are free from dust, lint, or other blockage. Unplug the unit and clean with a vacuum **ONLY**. **DO NOT** rinse or get wet.
- **ALWAYS** mount to wall bracket before use. **DO NOT** set on the floor, or other surface, to use.
- **NEVER** use a wall mount bracket from another manufacturer.
- This product is not intended to be a primary heat source. It is for supplemental heat only.
- **INDOOR** use only! **NEVER** use this heater outdoors! Doing so may result in electric shock!
- Risk of electric shock! **DO NOT OPEN!** No user-serviceable parts inside!

Package Contents

A Fireplace x1 	B Wood Screws x6 	C Drywall Anchors x6 	D Remote Control x1 
E Wall Bracket x1 	F Decorative Crystals x1 	G Wood Insert x1 	H Plastic Tray x1 
I Glass Base x1 	J Center Stand Piece x1 		

Preparation



This product includes a **GLASS** panel! Always use extreme caution when handling glass. Failure to do so could result in personal injury or property damage.

Remove all parts and hardware from the carton and place them on a clean, soft, dry surface. Parts and assembly steps are grouped for wall-hanging or recessing use. Check the parts list to make sure nothing is missing. Dispose of packaging materials properly. Please recycle whenever possible.

You will need the following tools (not included): Phillips screwdriver; stud finder; level; tape measure; electric drill; 1/4" wood drill bit, hammer.

Installation and Assembly

Warning

- Risk of fire! The power cord must not be pinched against a sharp edge. Secure cord to avoid tripping or snagging to reduce the risk of fire, electric shock, or personal injury. Do not run cord under carpeting. Do not cover cord with throw rugs, runners, or similar items. Arrange cord away from traffic areas and where it will not be tripped over.
- Risk of fire! To prevent a possible fire, do not block air intake or exhaust in any manner. Do not use on soft surfaces where openings may become blocked.
- Risk of fire! Do not blow or place insulation against the appliance.
- This electric appliance is tested and listed for use only with the approved optional accessories. Use of optional accessories not specifically tested for this electric appliance could void the warranty and/or result in a safety hazard.
- If the information in these instructions is not followed exactly, a fire or explosion may result causing property damage, personal injury, or death. Do not store or use gasoline or other flammable vapors in the vicinity of this or any other appliance.
- This appliance is heavy. It is highly recommended that two people install this appliance.
- If your appliance is equipped with a heater, ensure the heater vents cannot, in any way, be covered as it may create a fire hazard.
- Do not run the power cord horizontally, directly below the appliance.

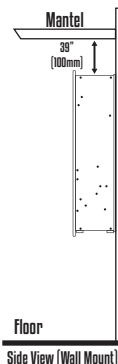
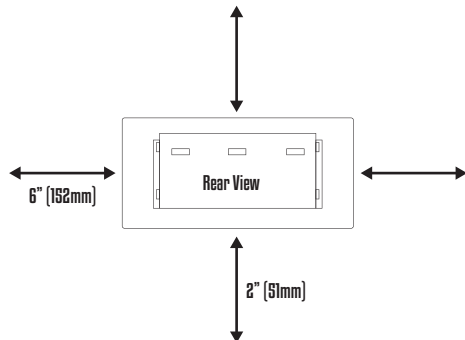
This fireplace can be wall-mounted or installed with a stand. Select a suitable location that is not susceptible to moisture and is away from drapes, furniture and high traffic areas.

MINIMUM CLEARANCE TO COMBUSTIBLES

Measurements are taken from the glass front.

Bottom	2" (51mm)	Top	39" (1000mm) to mantel
Sides	6" (152mm)	Top	39" (1000mm) to ceiling
Back	0"		

WHEN USING PAINT OR LACQUER TO FINISH THE MANTEL, THE PAINT OR LACQUER MUST BE HEAT RESISTANT TO PREVENT DISCOLORATION.



Care and Maintenance



ALWAYS turn the heater OFF and unplug the power cord from the outlet before cleaning, performing maintenance, or moving this fireplace. Failure to do so could result in electric shock, fire, or personal injury.



NEVER immerse in water or spray with water. Doing so could result in electric shock, fire, or personal injury.

Metal:

- Buff using a soft cloth, slightly dampened with a citrus oil-based product.

- DO NOT use brass polish or household cleaners as these products will damage the metal trim.

Glass:

- Use a good quality glass cleaner sprayed onto the cloth or towel. Dry thoroughly with a paper towel or lint-free cloth.

- NEVER use abrasive cleansers, liquid sprays, or any cleaner that could scratch the surface.

Vents:

- Use a vacuum or duster to remove dust and dirt from the heater and vent areas.

Plastic:

- Wipe gently with a slightly damp cloth and a mild solution of dish soap and warm water.
- NEVER use abrasive cleansers, liquid sprays, or any cleaner that could scratch the surface.

Electrical and Moving Parts:

- The fan motors are lubricated at the factory and will not require lubrication
- Electrical components are integrated in the fireplace and are not serviceable by the consumer.

Storage:

- Store heater in a clean dry place when not in use



Risk of electric shock! DO NOT OPEN any panels! No user-serviceable parts inside!



ALWAYS turn the heater OFF and unplug the power cord from the outlet before cleaning, performing maintenance, or moving this fireplace. Failure to do so could result in electric shock, fire, or personal injury.



WARNING! NO SERVICING of the internal or electrical parts should be performed by the consumer. Do not service the unit yourself.

2

Glass Stand Installation

Remove the front glass (see “glass removal / installation” section).

Place appliance on a soft clean surface.

Remove the four screws from the bottom of the appliance (Fig. 3-3). Set screws aside.

Align the center stand piece to the bottom holes and secure it to the appliance using the screws previously removed (Fig. 3-4).

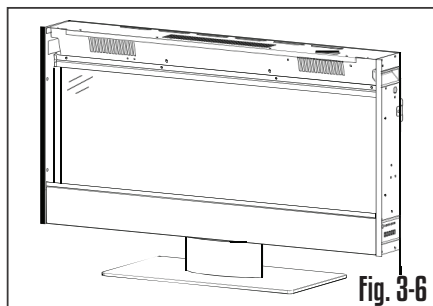
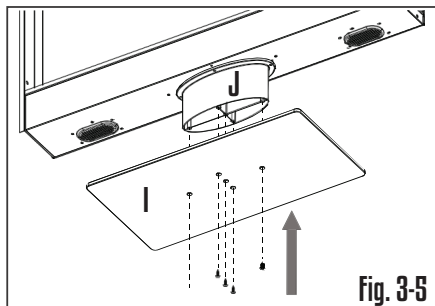
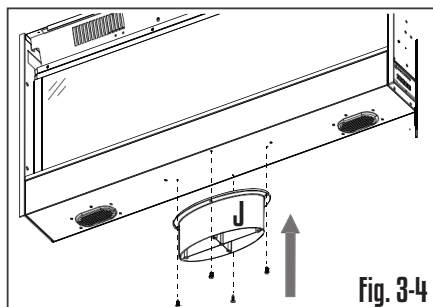
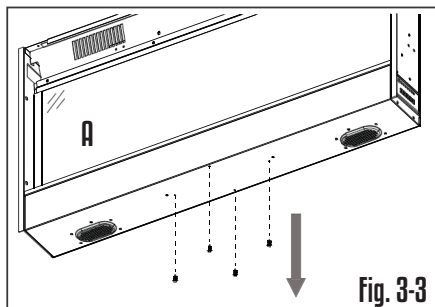
Prepare the glass base, ensuring that the rubber feet of the glass base are facing away of the appliance.

Secure the glass base to the center piece using 5 screws (B) (Fig. 3-5).

Check if the glass stand is secured properly. Ensure appliance is standing straight and still (Fig. 3-6).

Install media (see “finishing” section).

Re-install the front glass.



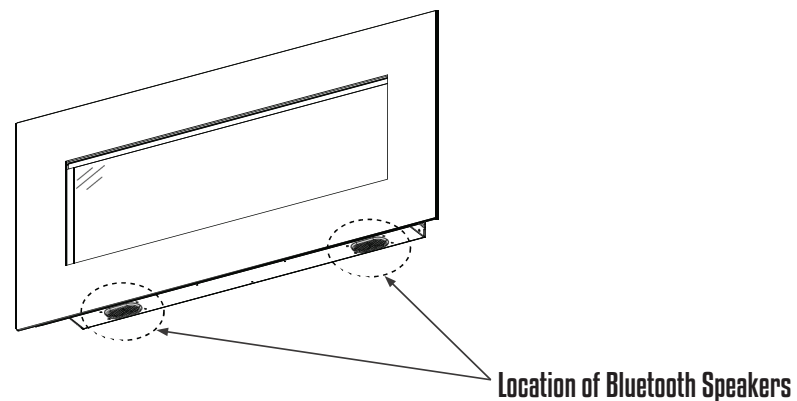
Warning: Power supply service must be completed prior to finishing to avoid reconstruction.
Heat vents and air openings cannot be covered in any circumstances.

7

Bluetooth Speaker Connection

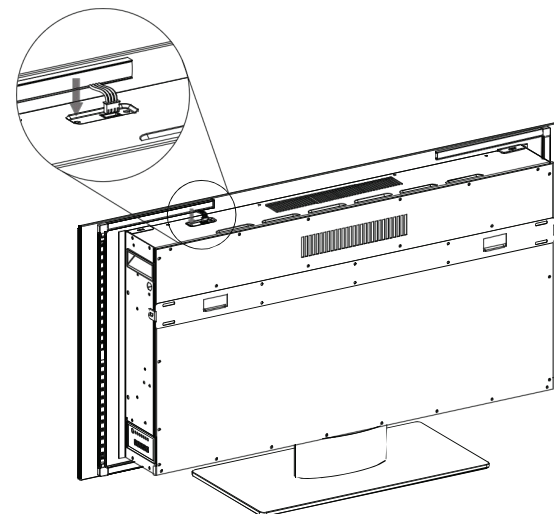
This appliance is equipped with a Bluetooth audio speaker. It does not require an App and will play music on the mobile device as a wireless speaker.

1. Once the appliance is plugged in, use your mobile device to search for the Bluetooth signal called “Bluetooth”.
2. Connect with the “Napoleon Bluetooth” signal. You will hear a “BEEP” sound from the appliance if the connection is successful.



LED Back Lights

Before operating appliance, ensure to plug in LED back lights as below.



8

Temperature Limiting Control

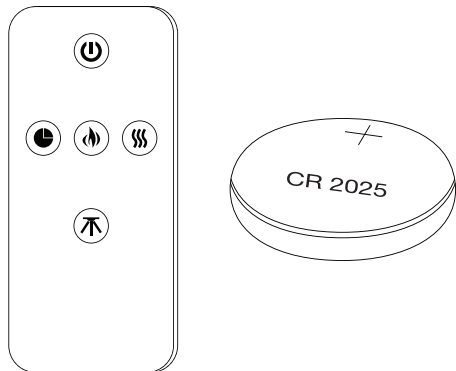
This heater is equipped with a Temperature Limiting Control. Should the heater reach an unsafe temperature, the heater will automatically turn Off. To reset:

1. Unplug the power cord from the outlet.
2. Turn the ON/OFF switch on the CONTROL PANEL to OFF. Wait 5 minutes.
3. Inspect the fireplace to make sure no vents are blocked, or clogged with dust or lint. If they are, use a vacuum to clean the vent areas.
4. With the POWER switch in the OFF position, plug the power cord back into the outlet.
5. If the problem continues, have your outlet and wiring inspected by a professional.

9

Remote Control Battery Information

- Remote control uses one CR2025 battery (Included)



CAUTION: NEVER dispose of batteries in fire. Failure to observe this precaution may result in an explosion. Dispose of batteries at your local hazardous material processing center.

1

Wall Mount Installation

Select a location that is not prone to moisture and is located at least 3 feet (1m) away from combustible materials such as curtain drapes, furniture, bedding, paper, etc.

Remove the front surround (see “glass removal / installation” section).

Have two people hold the appliance against the wall to determine the final location.

Place the appliance face down on a soft, nonabrasive surface. Remove the wall mounting bracket from the back of the appliance by removing the screws (Fig. 3-1). Set the bracket and screws aside.

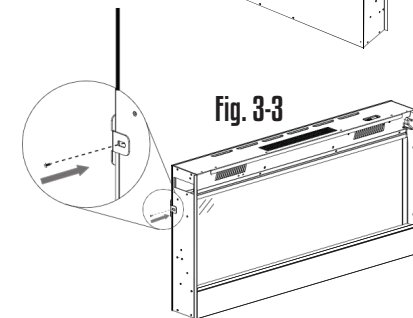
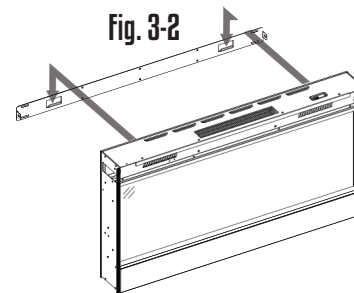
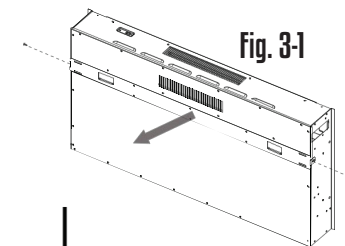
Mark out the location, then mount the wall mounting bracket onto the wall using 6 screws (B) & 6 wall anchors (C). This bracket **MUST** have the hooks facing upwards and be level.

With the wall mounting bracket installed, have two people lift the appliance up and insert the two hooks on the bracket into the two slots on the back of the appliance (Fig. 3-2).

Secure the appliance to the wall bracket using screws previously removed in step D (Fig. 3-3).

Check the appliance for stability, ensuring that the bracket will not pull free from the wall.

Re-install the front surround.



Note: It is strongly recommended that the mounting bracket be screwed into the wall studs where possible. If the wall studs cannot be used, ensure that the supplied plastic anchors are used to affix the bracket to the wall and the bracket is adequately secured.

4

Logset / Crystal Installation

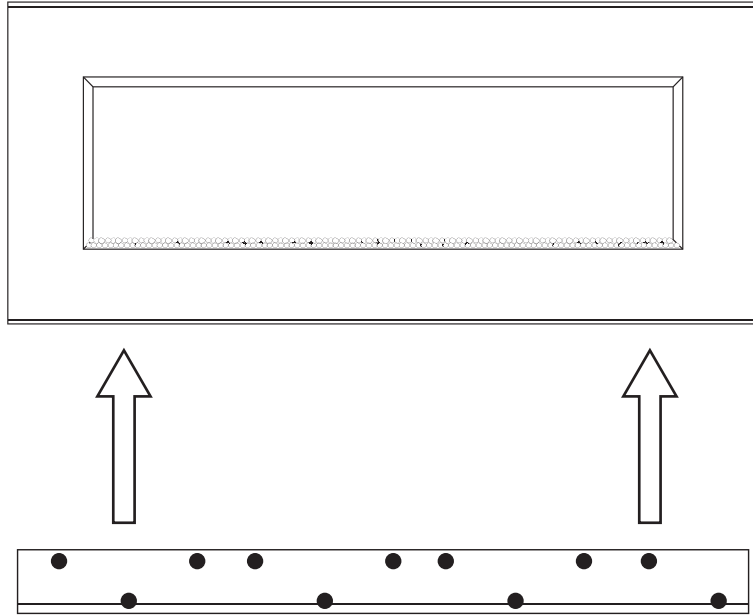
1. Glass front must be removed and the appliance must be mounted in its final location before the logset / crystal are installed.

2. If your fireplace come with logset, you do not need to do anything, just use as it is.

3. If your fireplace come with Crystals: **CLEAN CRYSTAL MEDIA:** Crystal media may have a fine oil residue that needs to be cleaned prior to installation. Clean the them with mild dish soap, drain, rinse thoroughly and dry before placing into the tray.

4. Carefully place crystals into the bottom tray on the front of the appliance as illustrated. Apply an even layer from side to side.

5. Re-install the front glass.



Log Installation

Remove the front glass (see “front glass removal / installation” section).

Remove the log set from inside the appliance. Remove packaging and discard.

Place the log set into the appliance (Fig. 4-3).

5

Operation



Read and understand this entire owner's manual, including all safety information, before plugging in or using this product. Failure to do so could result in electric shock, fire, serious injury, or death.

Power

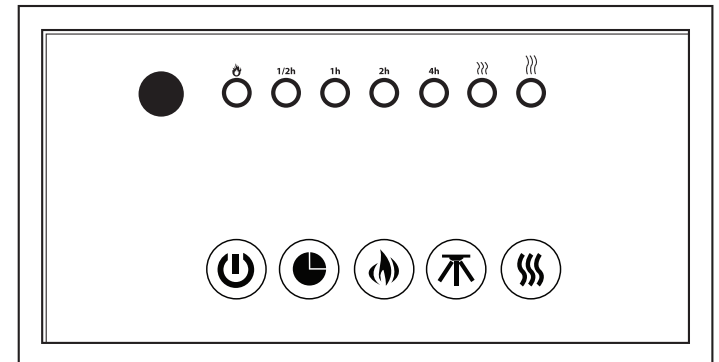
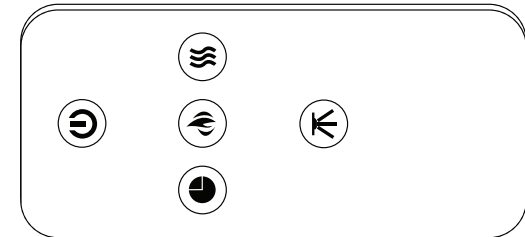
Plug the power cord into a 220~240 Volt (see **IMPORTANT SAFETY INFORMATION**). Make sure the outlet is in good condition and that the plug is not loose. **NEVER** exceed the maximum amperage for the circuit. **DO NOT** plug other appliances into the same circuit.

Methods of Operation

This electric fireplace can be operated by the **CONTROL PANEL**, located on the front right side of the fireplace, or by the battery-powered **REMOTE CONTROL**.






The operation and functions of the two methods are the same.

Before operating, please review the **IMPORTANT SAFETY INFORMATION**, and heed all warnings.



6

Control Panel & Remote Control Operation

Button	Function	Action & Indication
 Power	<p>ON: Enables control panel functions and remote control. Turns on flame effect.</p> <p>OFF: Disables control panel functions and remote control. Turns off flame effect.</p>	<p>1. Press once. Indicator light turns on. Power turns on. All functions enabled.</p> <p>2. Press again. Flame effect turns off. Unit goes to standby. All functions turn off.</p>
 Timer	<p>TIMER button: Controls timer settings to turn off fireplace at selected time.</p> <p>Settings range from 0.5 hours to 7.5 hours.</p>	<p>1. Press once. Indicator light turns on. Timer is set to 0.5 hours.</p> <p>2. Press again until desired setting is reached. Indicator lights show setting.</p>
 Flame	<p>FLAME button: Makes flame effect dimmer and brighter.</p> <p>NOTE: Flame effect stays on until power button is turned off. Flame effect must be on for heater to turn on.</p>	<p>1. Press once. Flame brightness effect gets changing.</p> <p>2. Press again. until desired setting is reached.</p>
 Heater	<p>HEATER button: Turns heater on and off.</p> <p>NOTE: The heater only works when the flame effect is on. If the flame effect is off the heater will not turn on.</p> <p>NOTE: To prevent overheating, the heater blows cool air for 10 seconds before the heater turns on, and after it turns off.</p>	<p>1. Press once. Indicator lights up. Fan blows cool air for 10 seconds. 750W heater turns on and blows warm air.</p> <p>2. Press again. Indicator lights up. 1500W heater turns on and blows hot air.</p> <p>3. Press again. Heaters turn off. The fan blows cool air for 10 seconds to allow heater to cool down, then turns off.</p>
 LED Back Lights	<p>NOTE: The appliance will auto-cycle through colors after pressing the button 11 times. It will be locked after pressing the button 12 times, and the back lights will be turned off after pressing the button 13 times.</p>	<p>1. Press once. LED back light effect will start changing.</p> <p>2. Press again. until desired setting is reached.</p> <p>10 Settings: Orange, red, blue, yellow, green, purple, azure, carmine, white, pink.</p>



CAUTION: When the heater is first turned on, a slight odor may be present. This is normal and should not occur again unless the heater is not used for a long period of time.

To improve operation, aim the remote control at the front of the fireplace. **DO NOT** press the buttons too quickly. Give the unit time to respond to each command.

3

Glass Removal / Installation

Unplug the LED back lights (see “LED back lights” section).

With one hand on the front glass to prevent it from falling, remove the two screws (1 per side) from the top of the appliance (Fig. 4-1). Set the screws aside.

Carefully lift the front glass up and away from the appliance (Fig. 4-2). Place it face down on a soft, nonabrasive surface.

Reverse these steps to install the front glass.

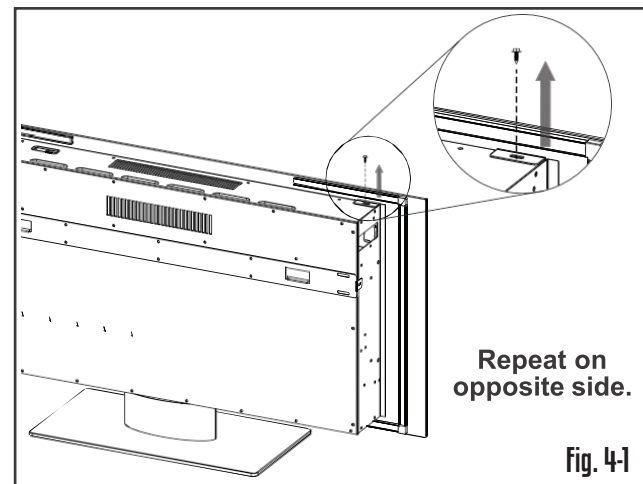


Fig. 4-1

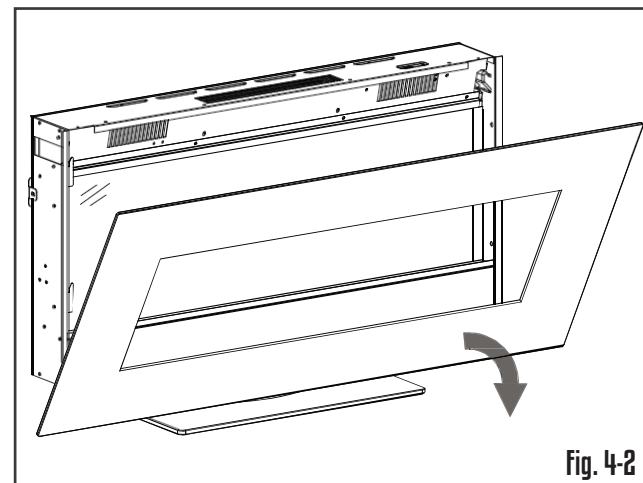


Fig. 4-2